



US00D937481S

(12) **United States Design Patent** (10) **Patent No.:** **US D937,481 S**
Cordova (45) **Date of Patent:** **** Nov. 30, 2021**

- (54) **PIPE FOR CIGARS**
- (71) Applicant: **CS Cigars LLC**, Doral, FL (US)
- (72) Inventor: **Ernesto Cordova**, Hialeah, FL (US)
- (73) Assignee: **CS CIGARS LLC**, Doral, FL (US)
- (**) Term: **15 Years**
- (21) Appl. No.: **29/735,733**
- (22) Filed: **May 22, 2020**
- (51) **LOC (13) Cl.** **27-02**
- (52) **U.S. Cl.**
USPC **D27/163**
- (58) **Field of Classification Search**
USPC D27/100, 101, 102, 103, 105, 113, 114,
D27/118, 125, 127, 128, 137, 138, 142,
D27/144, 161, 162, 163, 164, 165, 166,
D27/167, 168, 169, 170, 171, 172, 173,
D27/174, 175, 176, 177, 178, 179, 180,
D27/181, 182, 183, 184, 185, 186, 187,
D27/188, 189, 190, 191, 192, 193, 194,
D27/195, 196; D23/360, 362; D28/91.1;
D24/110, 110.4–110.6, 113
CPC A24F 1/30; A24F 1/32; A24F 1/02; A24F
5/00; A24F 9/14
See application file for complete search history.

- D766,501 S * 9/2016 Lehnert D27/163
- D831,271 S * 10/2018 Qiu D27/162
- D901,755 S * 11/2020 Peirce D27/101

OTHER PUBLICATIONS

Cigar Mouthpiece Holder TIP. By F.E.S.S. Dated Apr. 30, 2013. Found online [May 15, 2021], https://www.amazon.com/Cigar-Mouthpiece-Holder-F-s-s/dp/B00CLG1OLA/ref=sr_1_8?dchild=1&keywords=cigar%2Btip&qid=1621089713&sr=8-8&th=1 (Year: 2013).*

Rosewood Cigar Holder. By The Smoking Store. Dated Aug. 16, 2014. Found online [May 15, 2021], <https://www.thesmokingstore.com/rosewood-cigar-holder/> (Year: 2014).*
“Cigarclaw”, <https://cigarclaw.com/>.

* cited by examiner

Primary Examiner — Marissa J Cash
Assistant Examiner — William B Melliar

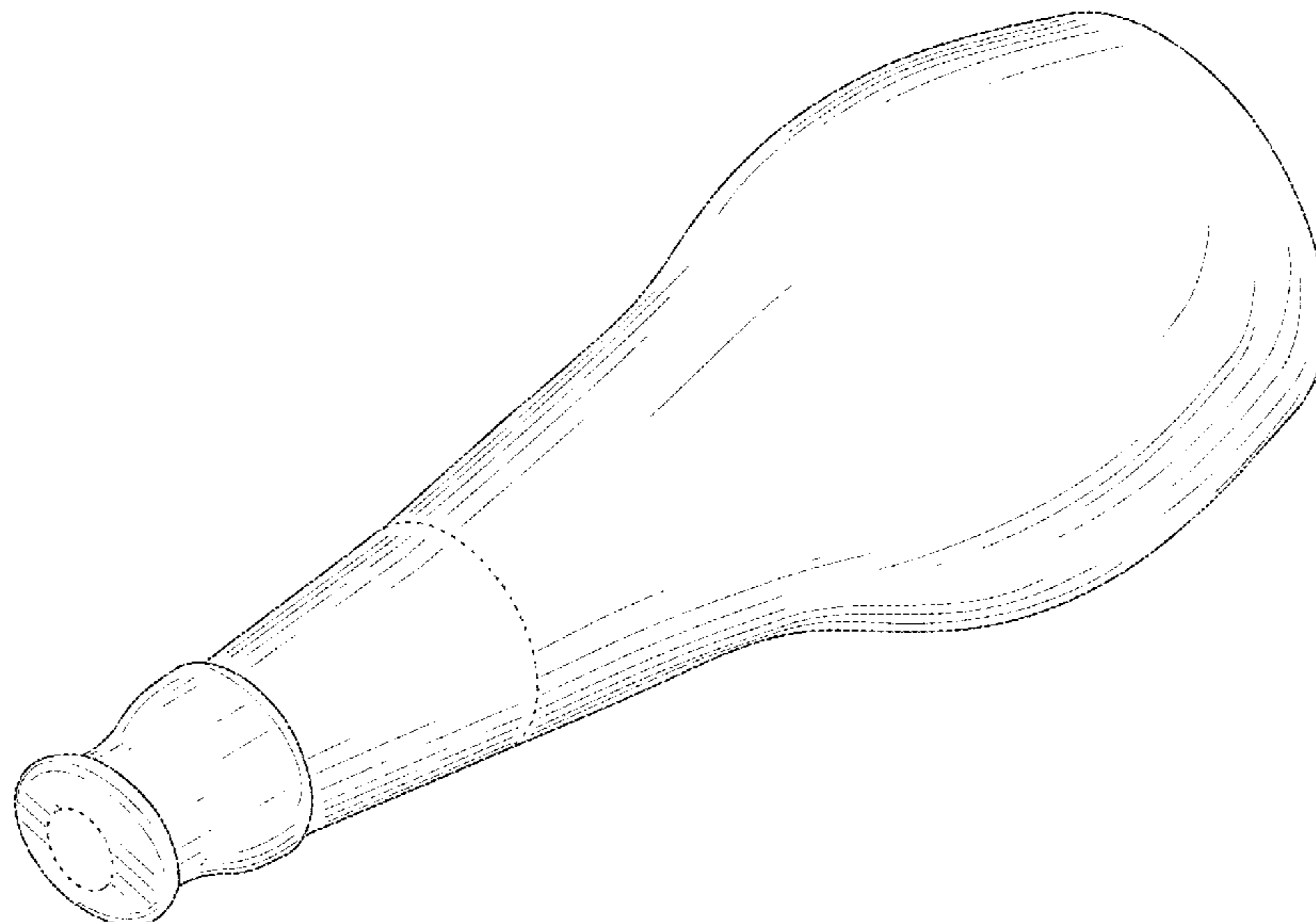
(57) **CLAIM**

The ornamental design for a pipe for cigars, as shown and described.

DESCRIPTION

FIG. 1 is a top perspective view of a pipe for cigars showing my new design;
FIG. 2 is a bottom perspective view thereof;
FIG. 3 is a front elevated view thereof;
FIG. 4 is a rear elevated view thereof;
FIG. 5 is a top plan view thereof;
FIG. 6 is a bottom plan view thereof;
FIG. 7 is a right elevated view thereof;
FIG. 8 is a left elevated view thereof; and,
FIG. 9 is a vertical cross-sectional view thereof taken along line 9-9 of FIG. 4.
The broken lines showing of an orifice in FIG. 1, 3-4, and 9, and the broken lines showing of a pipe connection in FIG. 1-9 depict portions of the pipe for cigars that form no part of the claimed design.

1 Claim, 9 Drawing Sheets



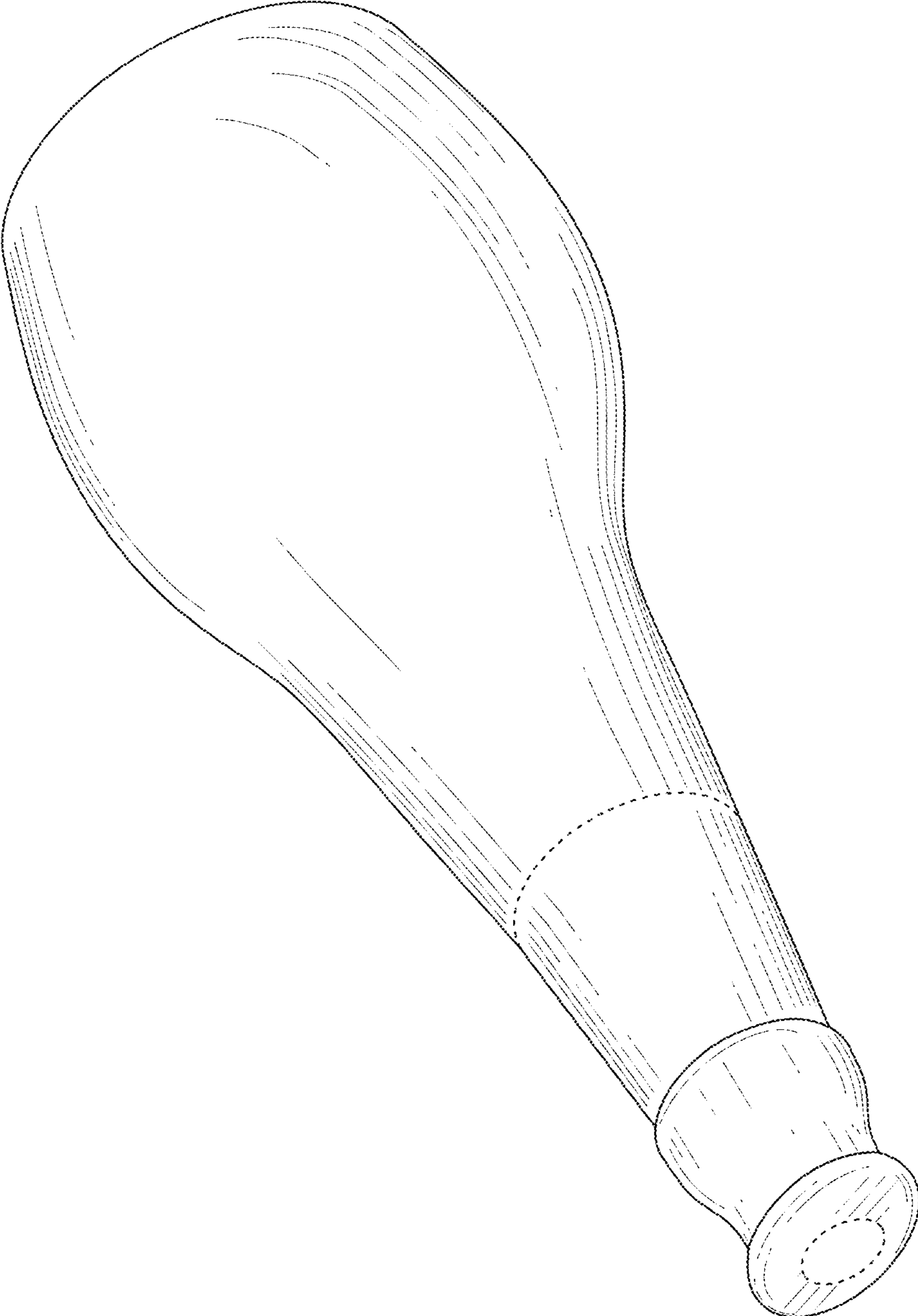


FIG. 1

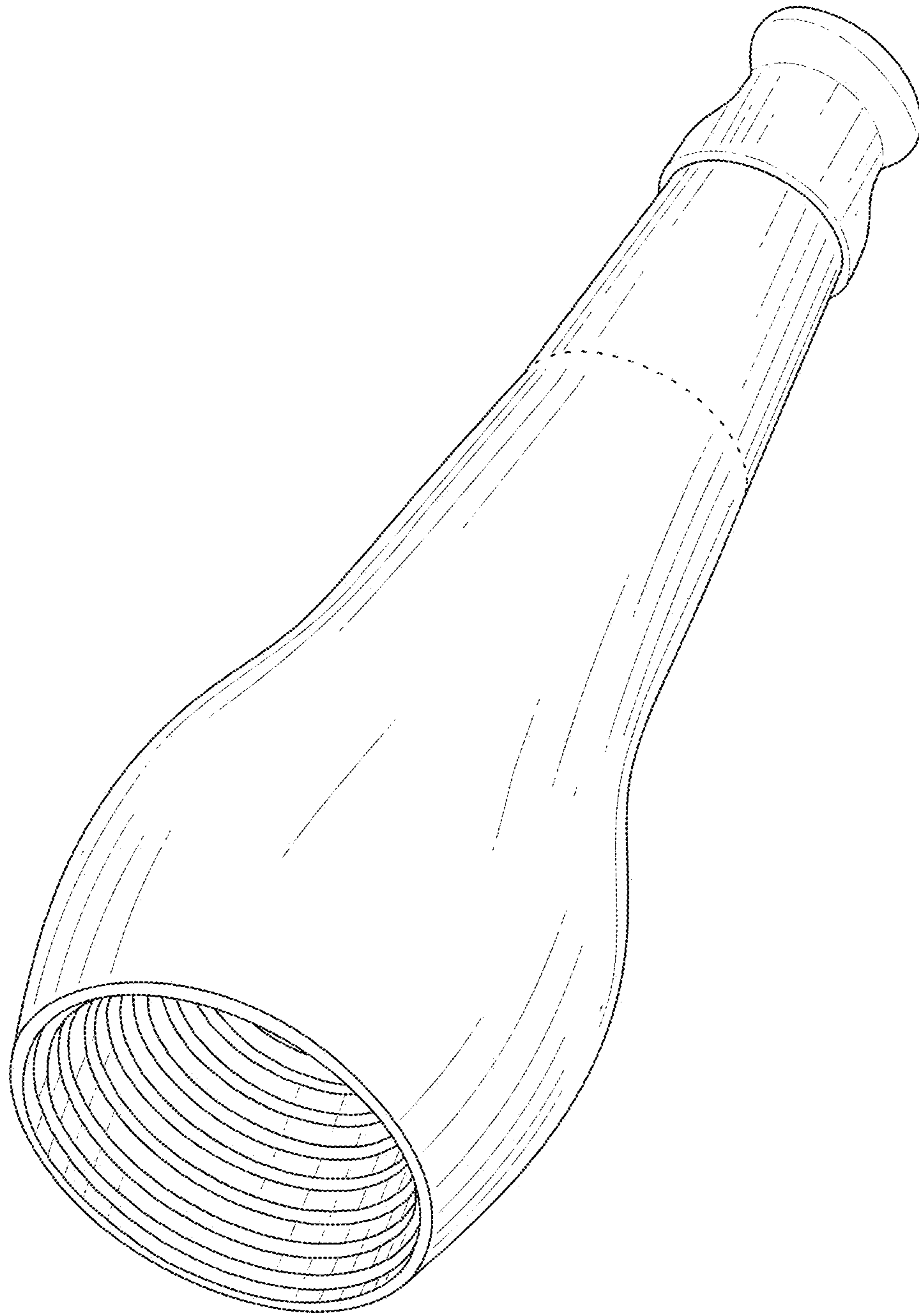


FIG. 2

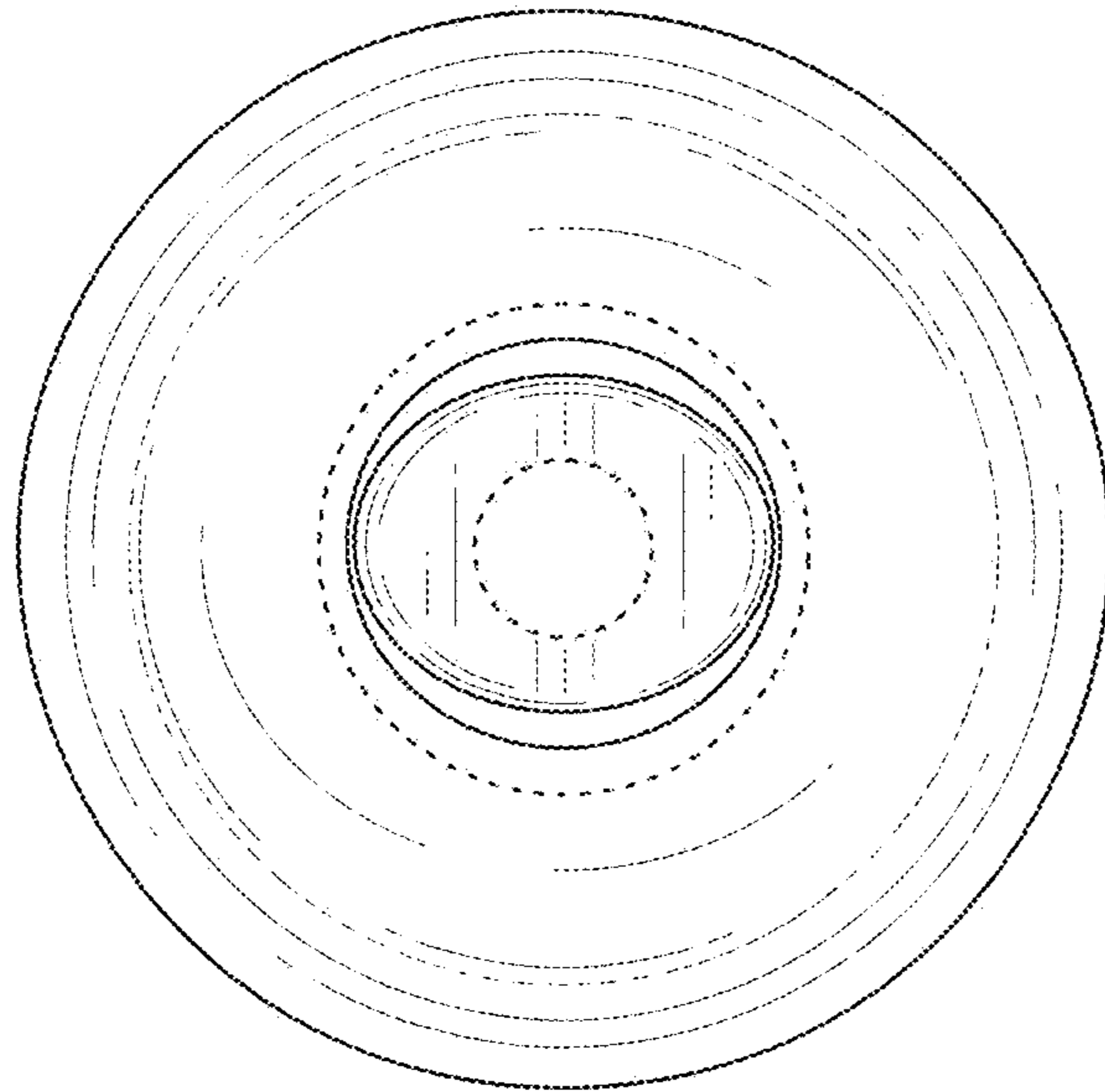


FIG. 3

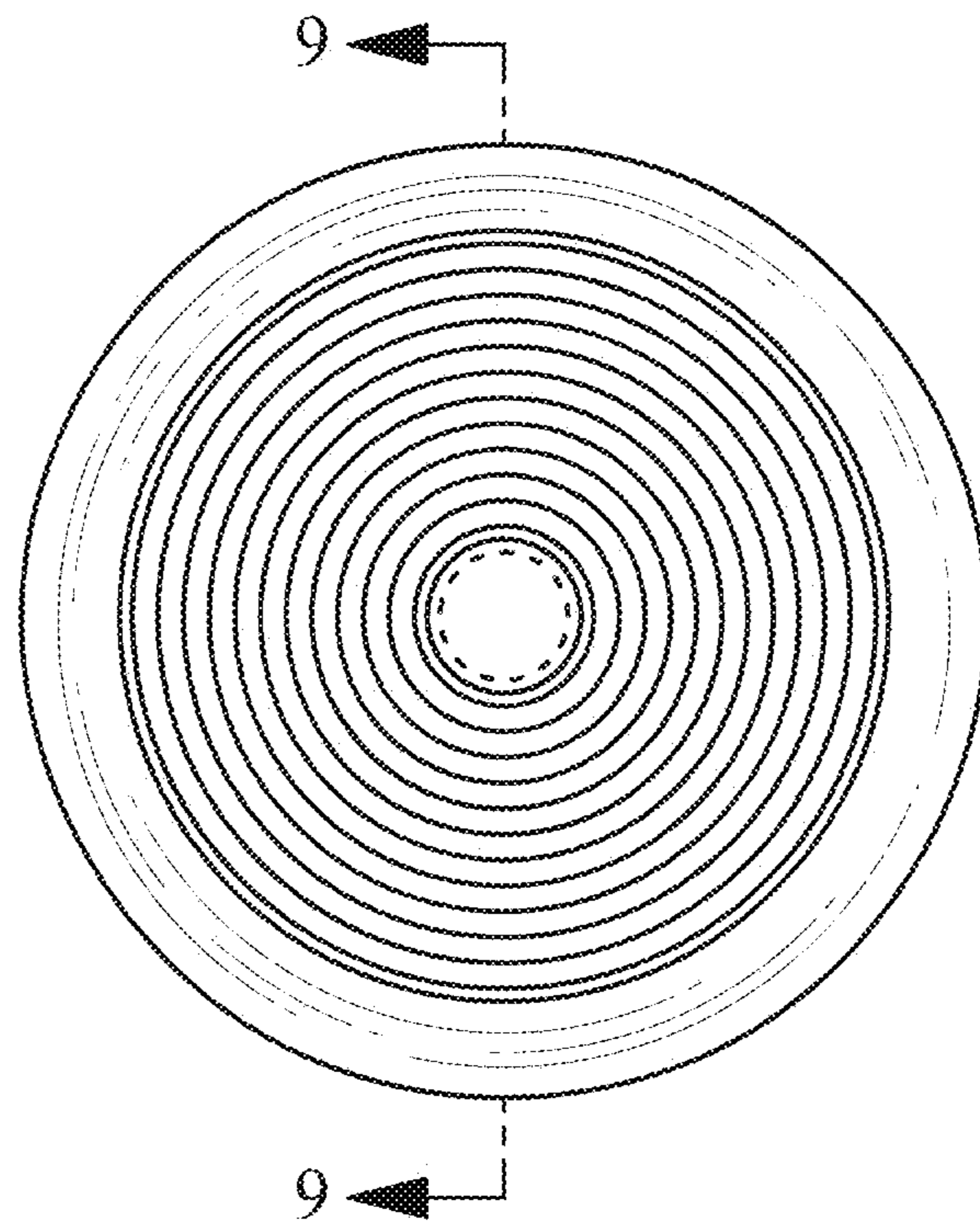


FIG. 4

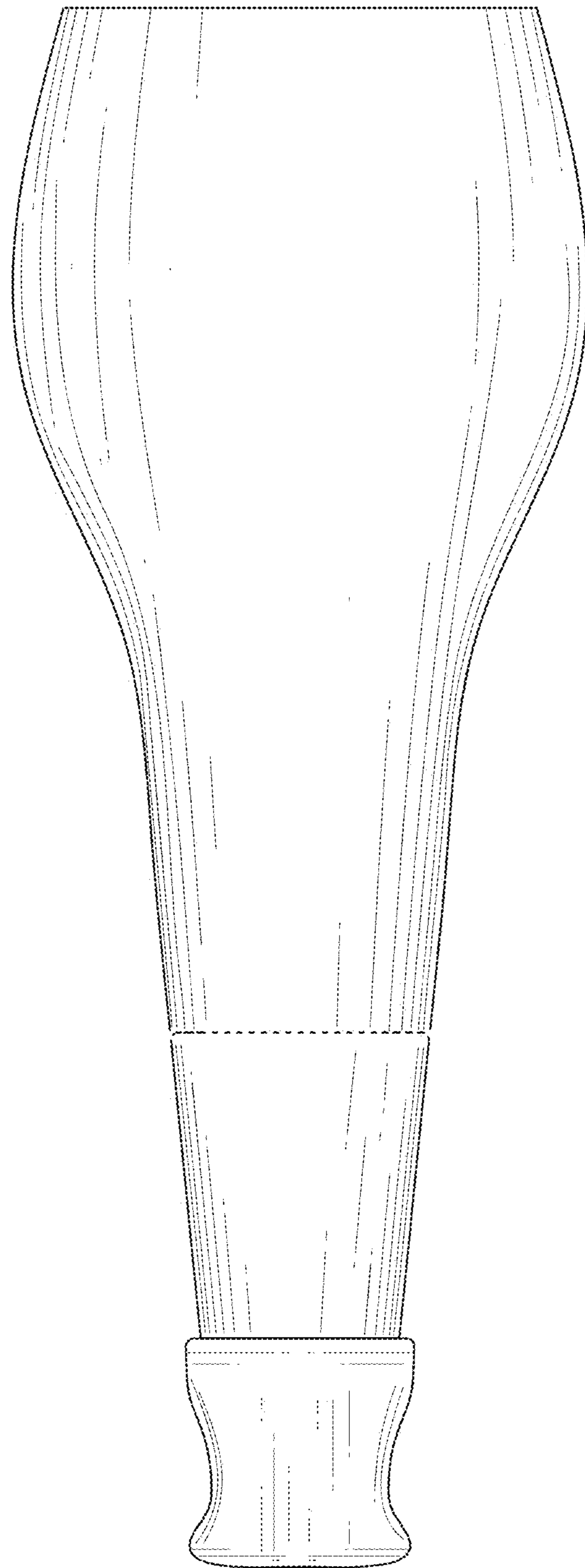


FIG. 5

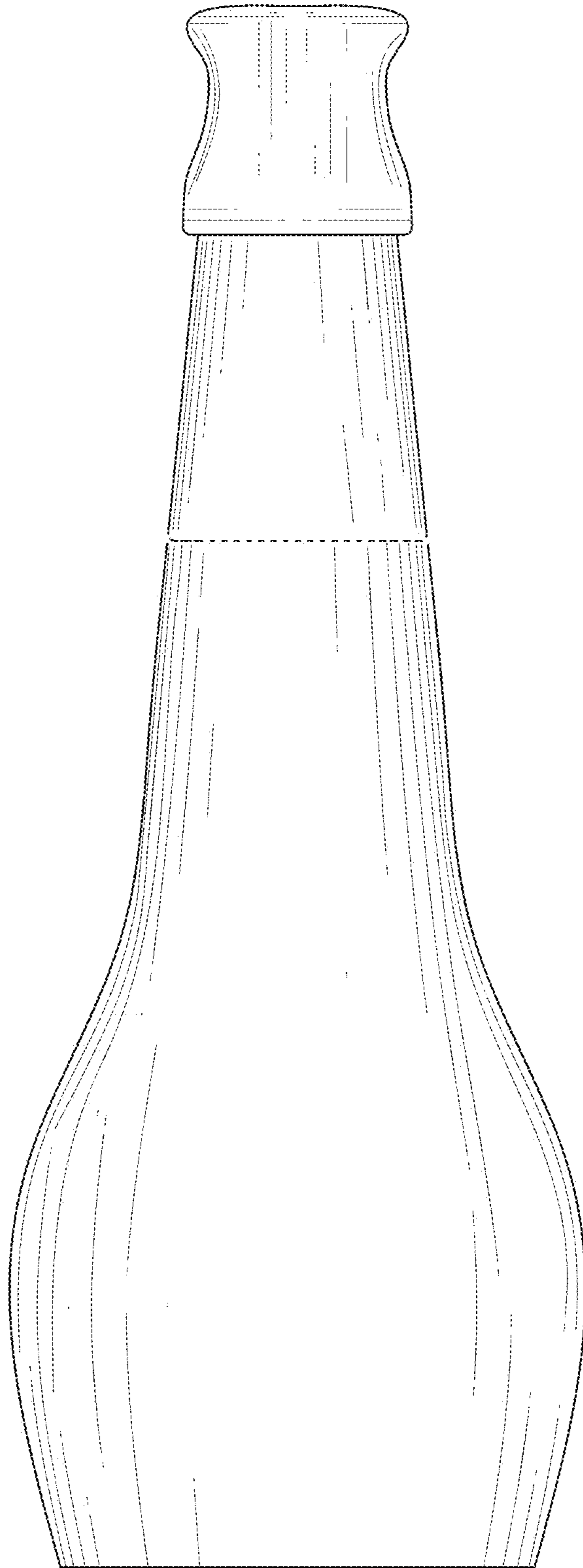


FIG. 6

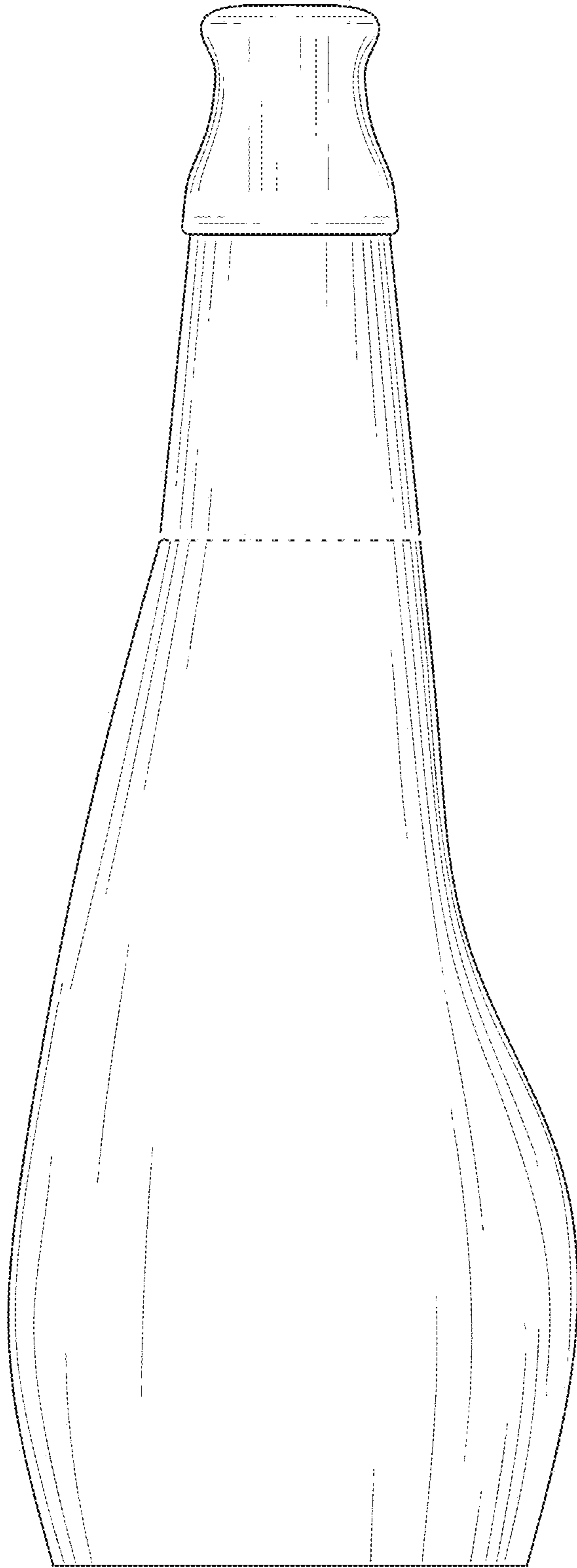


FIG. 7

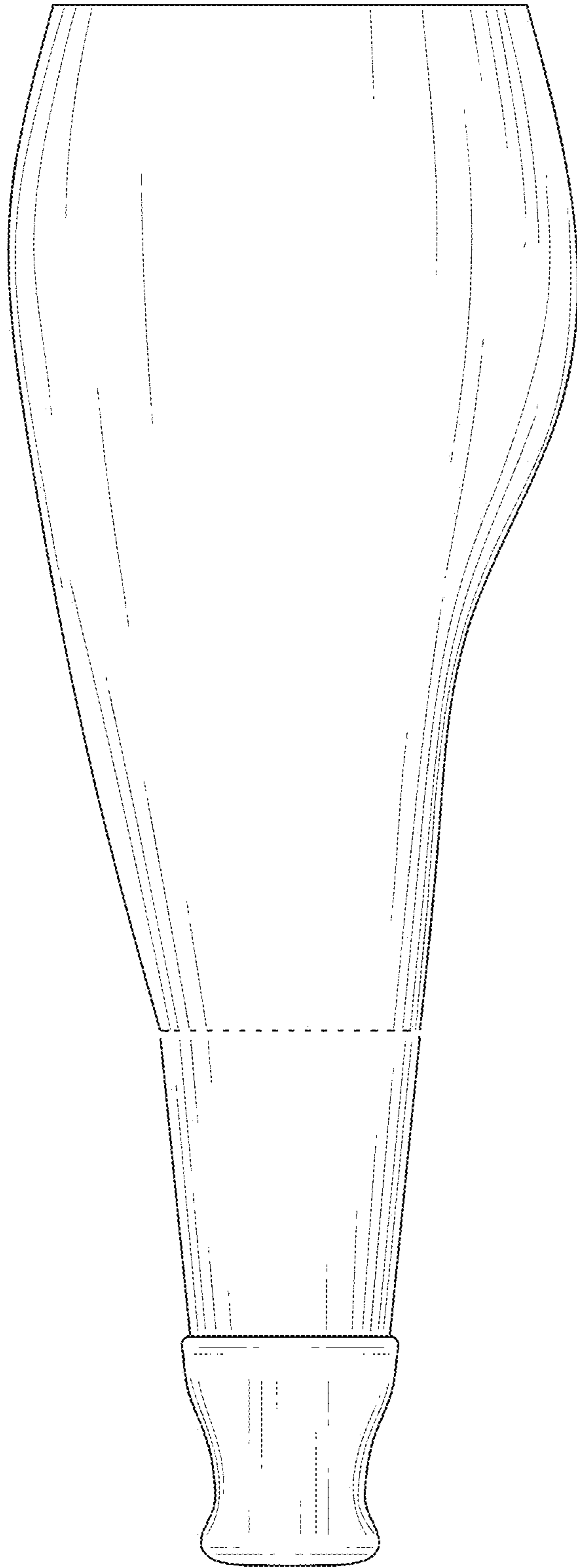


FIG. 8

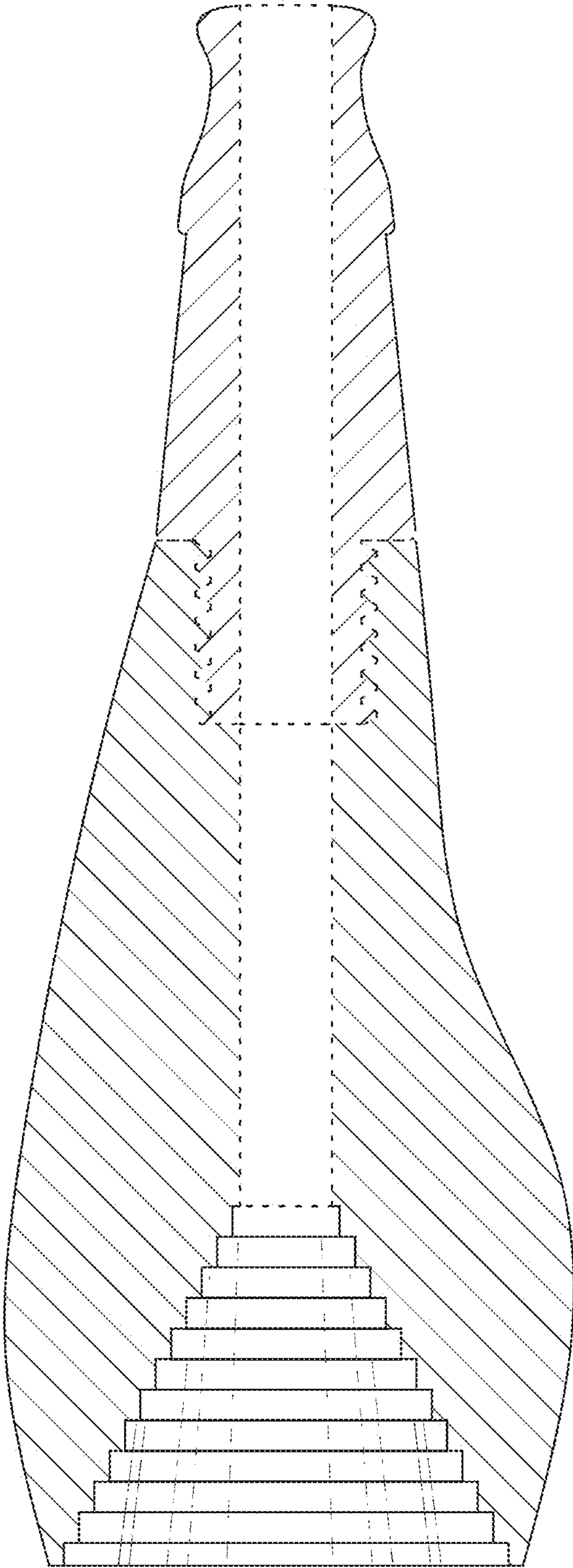


FIG. 9