



US00D937479S

(12) **United States Design Patent**
Lai et al.

(10) **Patent No.:** **US D937,479 S**
(45) **Date of Patent:** **** Nov. 30, 2021**

(54) **ELECTRONIC ATOMIZING DEVICE**

(71) Applicant: **Shenzhen Smoore Technology Limited**, Shenzhen (CN)

(72) Inventors: **Baosheng Lai**, Shenzhen (CN);
Chaoyong Bie, Shenzhen (CN)

(73) Assignee: **SHENZHEN SMOORE TECHNOLOGY LIMITED**, Shenzhen (CN)

(**) Term: **15 Years**

(21) Appl. No.: **29/737,631**

(22) Filed: **Jun. 10, 2020**

(30) **Foreign Application Priority Data**

Dec. 26, 2019 (CN) 201930730299.X

(51) **LOC (13) Cl.** **27-02**

(52) **U.S. Cl.**
USPC **D27/162**

(58) **Field of Classification Search**
USPC D27/100, 101, 162, 163, 164, 165, 166,
D27/167, 168, 169, 170, 171, 172, 173,
(Continued)

(56) **References Cited**

U.S. PATENT DOCUMENTS

D832,500 S * 10/2018 Qiu D27/162
D846,798 S * 4/2019 Chen D27/163
(Continued)

FOREIGN PATENT DOCUMENTS

CN 202030216662.9 * 10/2020

OTHER PUBLICATIONS

The SMOK NOVO kit. By RiP Trippers. Dated Aug. 1, 2018. Found online [May 5, 2021]. <https://www.youtube.com/watch?v=xqOiYZmeZeE> (Year: 2018).*

(Continued)

Primary Examiner — Marissa J Cash
Assistant Examiner — William B Melliar

(57) **CLAIM**

The ornamental design for an electronic atomizing device, as shown and described.

DESCRIPTION

FIG. 1 is a perspective view of an electronic atomizing device shown in an assembled configuration of use according to a first embodiment;
FIG. 2 is another perspective view thereof;
FIG. 3 is a front elevational view thereof;
FIG. 4 is a rear elevational view thereof;
FIG. 5 is a left side elevational view thereof;
FIG. 6 is a right side elevational view thereof;
FIG. 7 is an enlarged top plan view thereof;
FIG. 8 is an enlarged bottom plan view thereof;
FIG. 9 is a perspective view of an electronic atomizing device showing a first component removed from the assembly in FIGS. 1-8 for clarity of disclosure;
FIG. 10 is another perspective view thereof;
FIG. 11 is a front elevational view thereof;
FIG. 12 is a rear elevational view thereof;
FIG. 13 is a left side elevational view thereof;
FIG. 14 is a right side elevational view thereof;
FIG. 15 is an enlarged view of a top plan view thereof;
FIG. 16 is an enlarged view of a bottom plan view thereof;
FIG. 17 is a perspective view of an electronic atomizing device showing a second component removed from the assembly in FIGS. 1-8 for clarity of disclosure;
FIG. 18 is a front elevational view thereof;
FIG. 19 is a rear elevational view thereof;
FIG. 20 is a left side elevational view thereof;
FIG. 21 is a right side elevational view thereof;
FIG. 22 is an enlarged top plan view thereof;
FIG. 23 is an enlarged bottom plan view thereof;
FIG. 24 is a perspective view of an electronic atomizing device shown in an assembled configuration of use according to a second embodiment;
FIG. 25 is a front elevational view thereof;
FIG. 26 is a rear elevational view thereof;

(Continued)

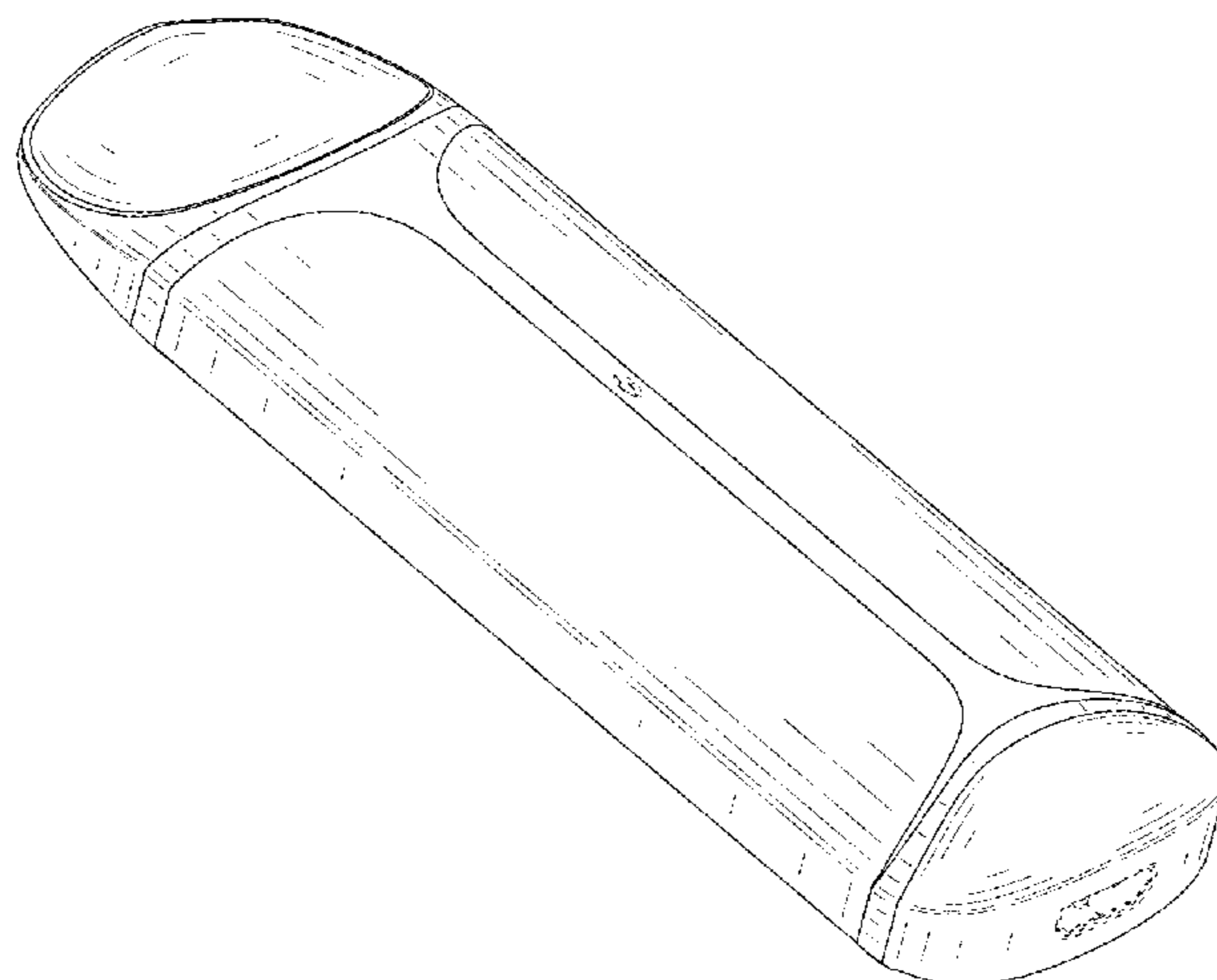


FIG. 27 is a left side elevational view thereof;
 FIG. 28 is a right side elevational view thereof;
 FIG. 29 is an enlarged top plan view thereof;
 FIG. 30 is an enlarged bottom plan view thereof;
 FIG. 31 is a perspective view of an electronic atomizing device showing a first component removed from the assembly in FIGS. 24-30 for clarity of disclosure;
 FIG. 32 is a front elevational view thereof;
 FIG. 33 is a rear elevational view thereof;
 FIG. 34 is a left side elevational view thereof;
 FIG. 35 is a right side elevational view thereof;
 FIG. 36 is an enlarged view of a top plan view thereof;
 FIG. 37 is an enlarged view of a bottom plan view thereof;
 FIG. 38 is an enlarged view of area 38 circumscribed in FIG. 5;
 FIG. 39 is an enlarged view of area 39 circumscribed in FIG. 6;
 FIG. 40 is an enlarged view of area 40 circumscribed in FIG. 20;
 FIG. 41 is an enlarged view of area 41 circumscribed in FIG. 21;
 FIG. 42 is an enlarged view of area 42 circumscribed in FIG. 27; and,
 FIG. 43 is an enlarged view of area 43 circumscribed in FIG. 28.

The evenly spaced broken lines in the drawings depict portions of the electronic atomizing device that form no part of the claimed design.

The long dash-short dash broken lines in the drawings depict the boundaries of the enlarged views and form no part of the claimed design.

The shade lines in the figures show contour.

The oblique lines on the electronic atomizing device surfaces indicate that those surfaces are transparent.

1 Claim, 43 Drawing Sheets

(58) **Field of Classification Search**

USPC D27/174, 175, 176, 177, 178, 179, 180,
 D27/181, 182, 183, 184, 185, 186, 187,
 D27/188, 189, 190, 191, 192, 193, 194,
 D27/196; D28/91.1; D23/360, 362;
 D24/110, 110.4, 110.5, 110.6, 113

CPC A24F 40/10; A24F 40/40; A24F 40/46;
 A24F 47/008; A24F 40/60; A24F 40/70;
 A24F 40/51; A24F 40/20; A24F 40/05;
 A24F 40/90; A24F 40/30; A24F 40/95;
 A24F 40/00; A24F 7/00; A24F 13/00;
 A24F 13/14; A24F 1/32; A24F 40/49;
 A24F 42/60; A24F 42/80; A24F 47/002;
 A24F 7/02; A24F 9/16; A24F 40/42;
 A24F 40/57; A24F 15/015; A24F 40/465;
 A24F 1/02; A24F 2700/03; A24F 15/01;
 A24F 1/28; A24F 40/85; A24F 42/00;
 A24F 42/10; A24F 42/20; A24F 47/004;
 A24F 47/006; A24F 7/04; A24F 40/485;
 A24F 40/44; A24F 40/48; A24F 40/50;
 A24F 1/00; A24F 47/00; A24F 40/53;
 A24F 40/65

See application file for complete search history.

(56)

References Cited

U.S. PATENT DOCUMENTS

D853,632	S	*	7/2019	Qiu	D27/101
D853,633	S	*	7/2019	Zeng	D27/162
D863,673	S	*	10/2019	Lai	D27/162
D880,060	S	*	3/2020	Chen	D27/194
D881,457	S	*	4/2020	Ouyang	D27/162
D884,269	S	*	5/2020	Lai	D27/162
D885,655	S	*	5/2020	Ding	D27/162
D885,657	S	*	5/2020	Lai	D27/194
D887,631	S	*	6/2020	Lai	D27/162
D895,199	S	*	9/2020	Li	D27/162
D900,386	S	*	10/2020	Wang	D27/162
D905,329	S	*	12/2020	Wang	D27/162
D908,279	S	*	1/2021	Li	D27/162
D910,906	S	*	2/2021	Zhou	D27/162
D912,890	S	*	3/2021	Liu	D27/162
D914,277	S	*	3/2021	Han	D27/162
D926,359	S	*	7/2021	Liu	D27/162
D926,362	S	*	7/2021	Liu	D27/162
D927,772	S	*	8/2021	Han	D27/162

OTHER PUBLICATIONS

OSMALL Pod. By Matt From SMM. Dated Mar. 23, 2020. Found online [May 5, 2021]. <https://www.youtube.com/watch?v=yIPRpj64ZnA> (Year: 2020).*

* cited by examiner

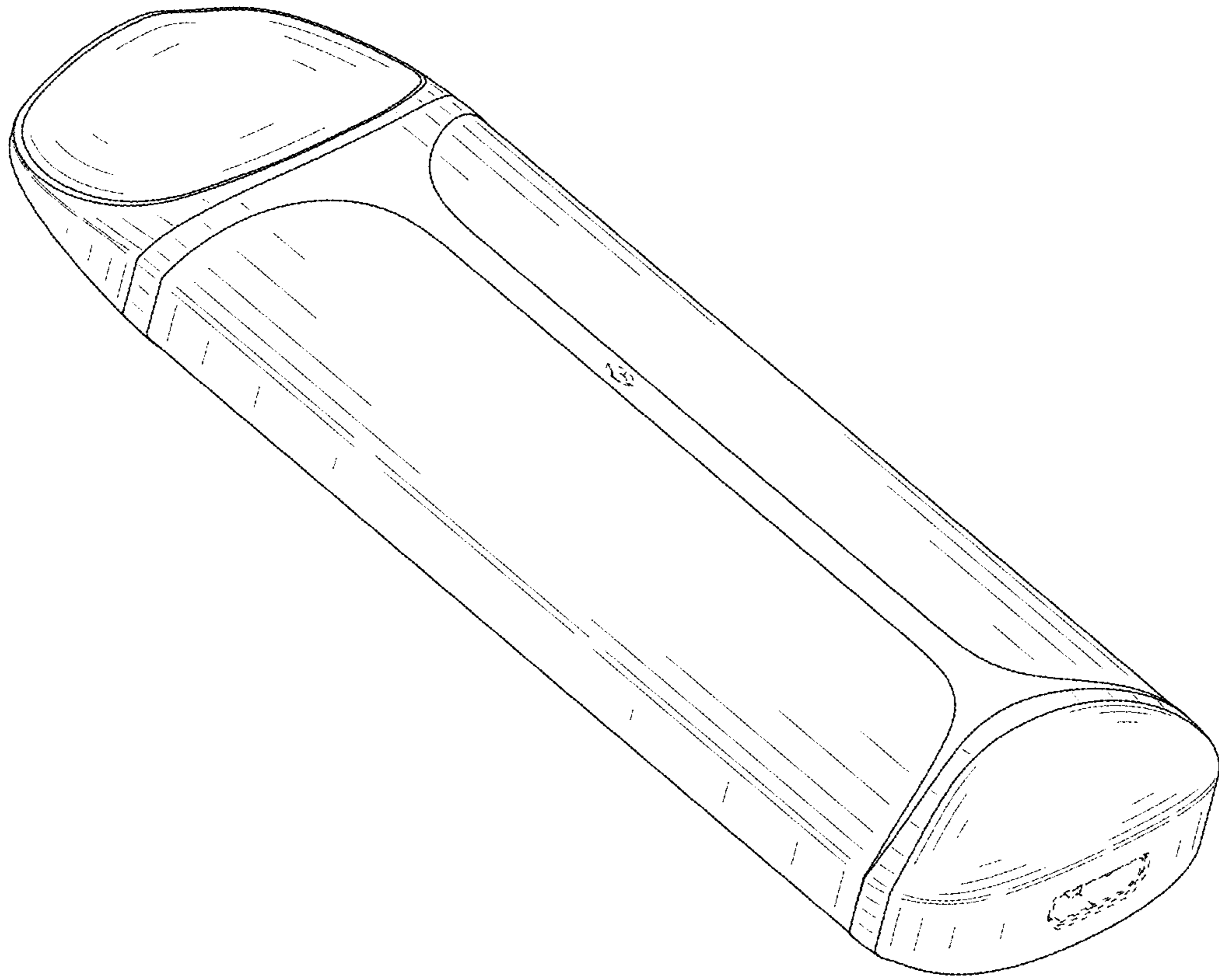


FIG. 1

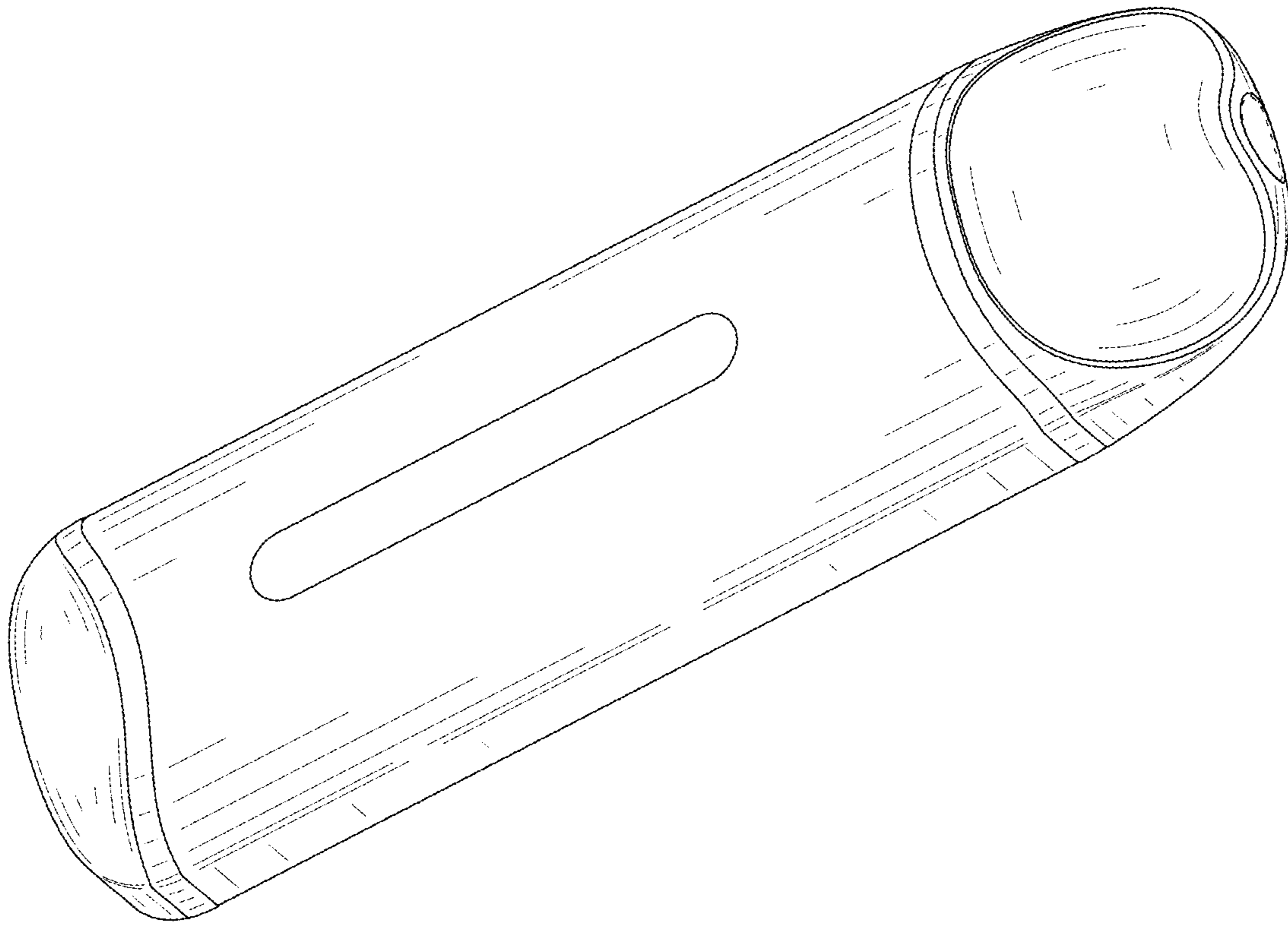


FIG. 2

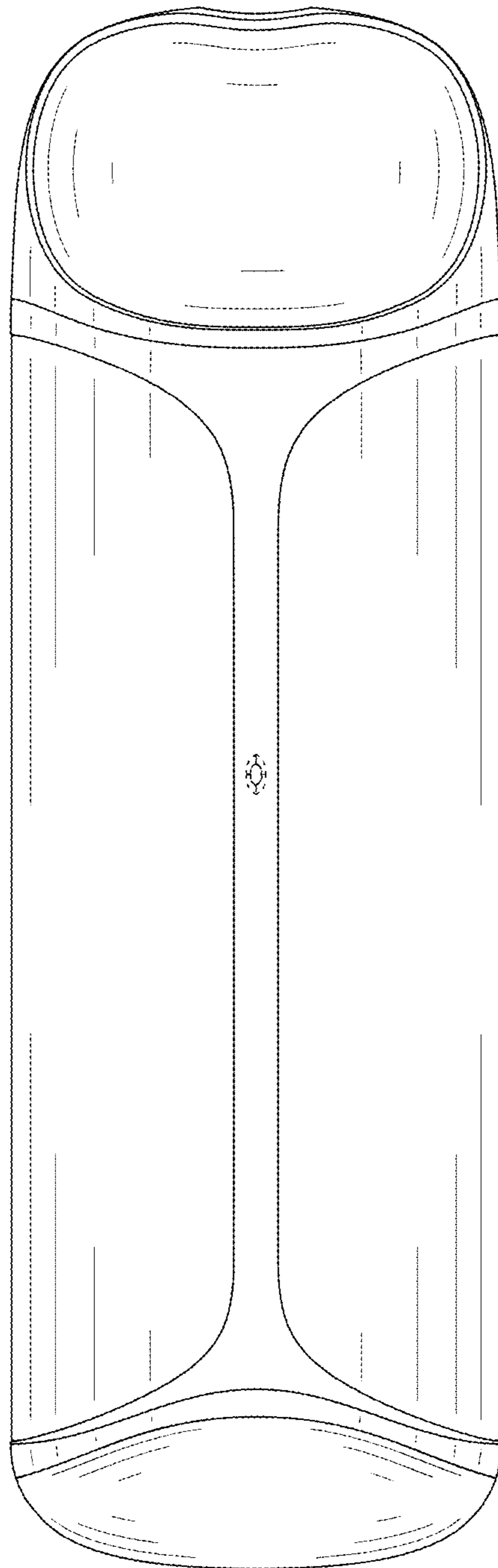


FIG. 3

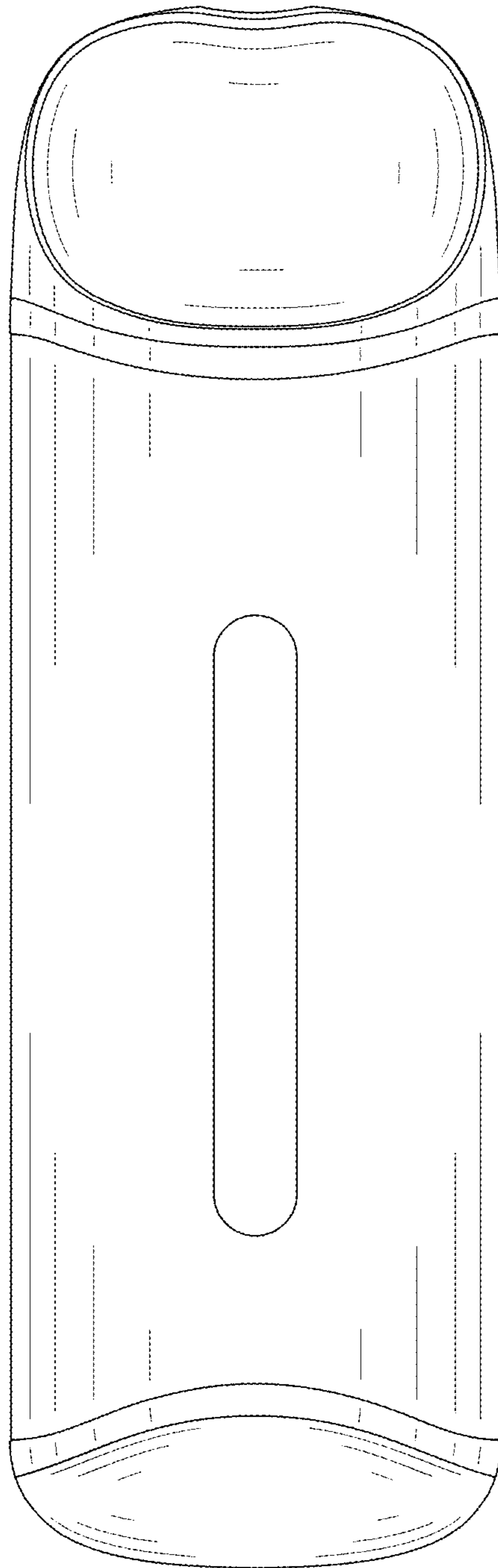


FIG. 4

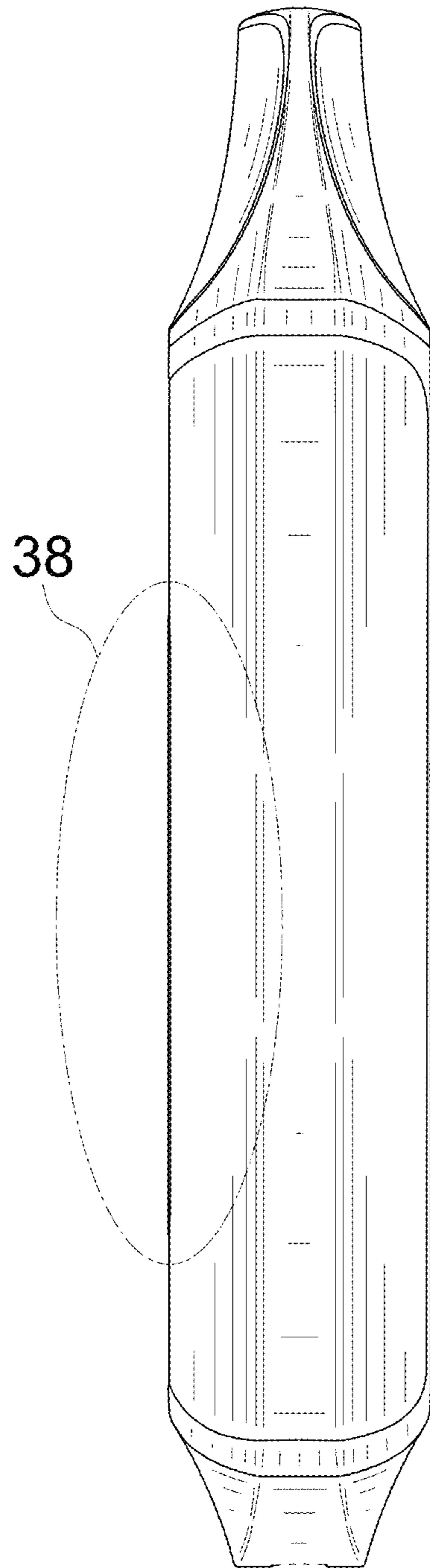


FIG. 5

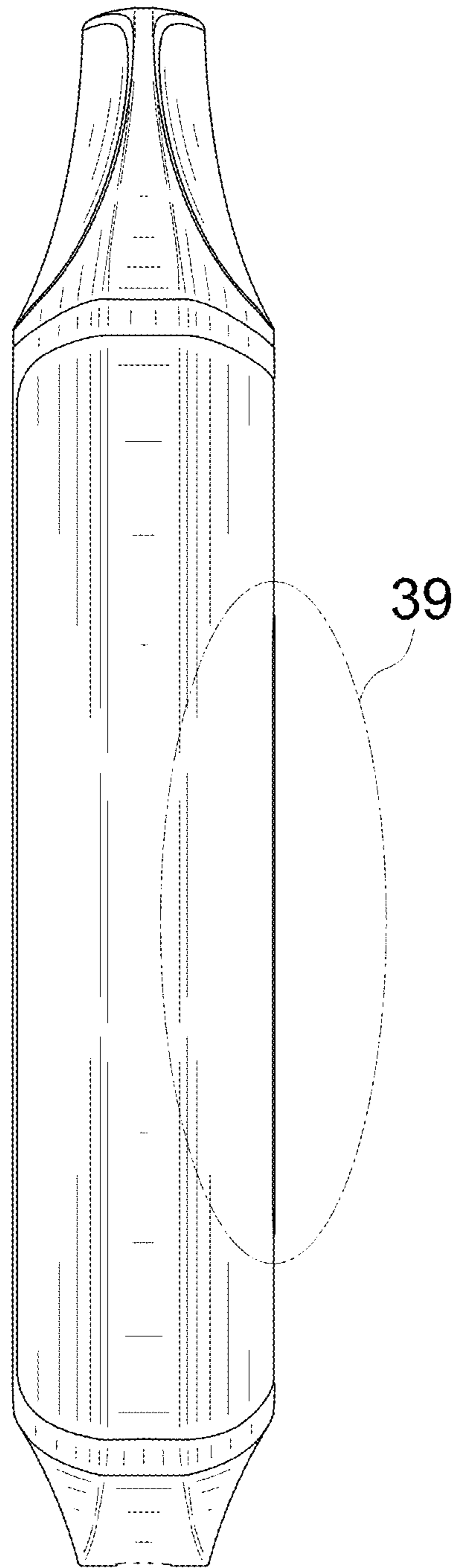


FIG. 6

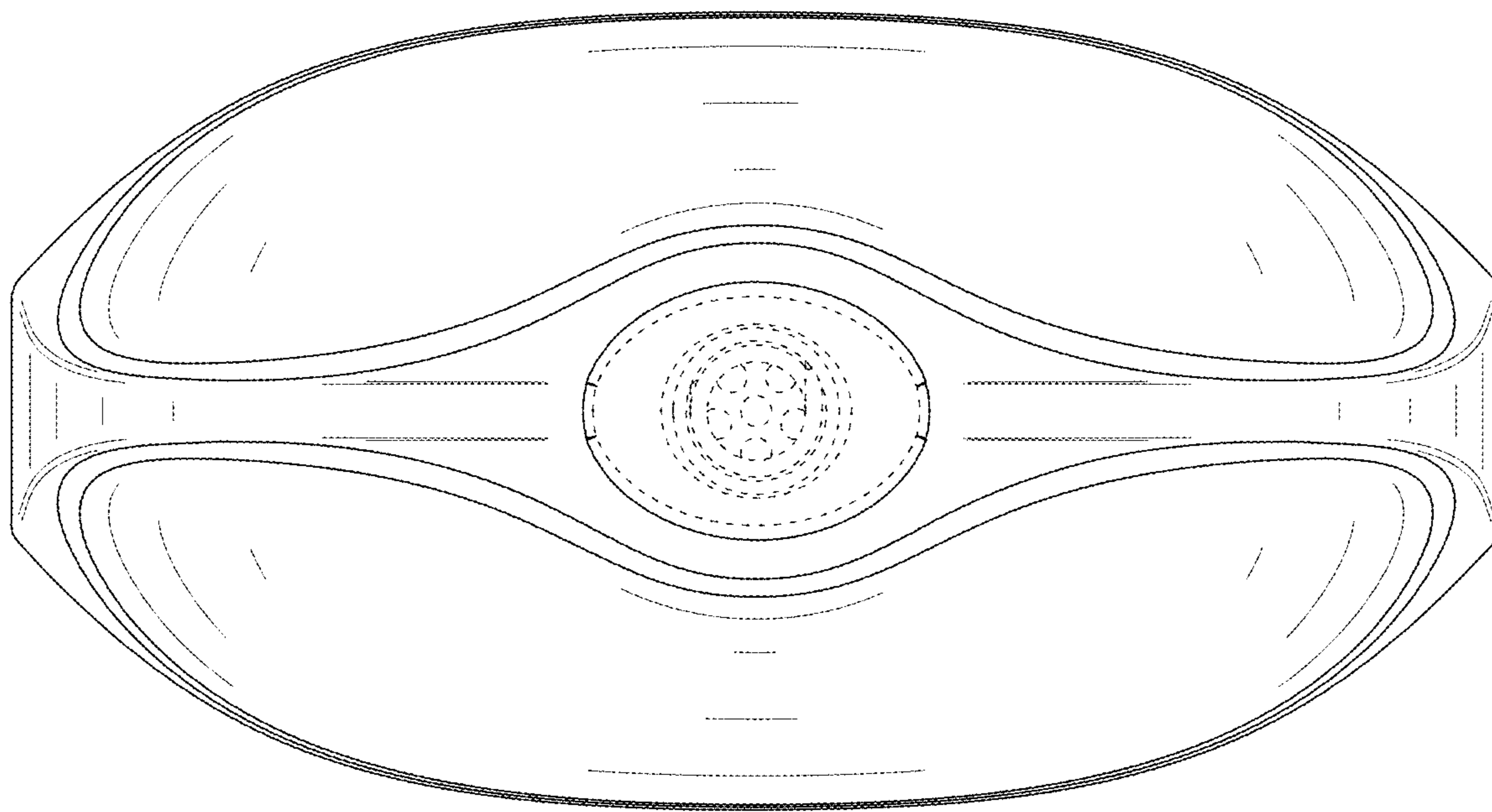


FIG. 7

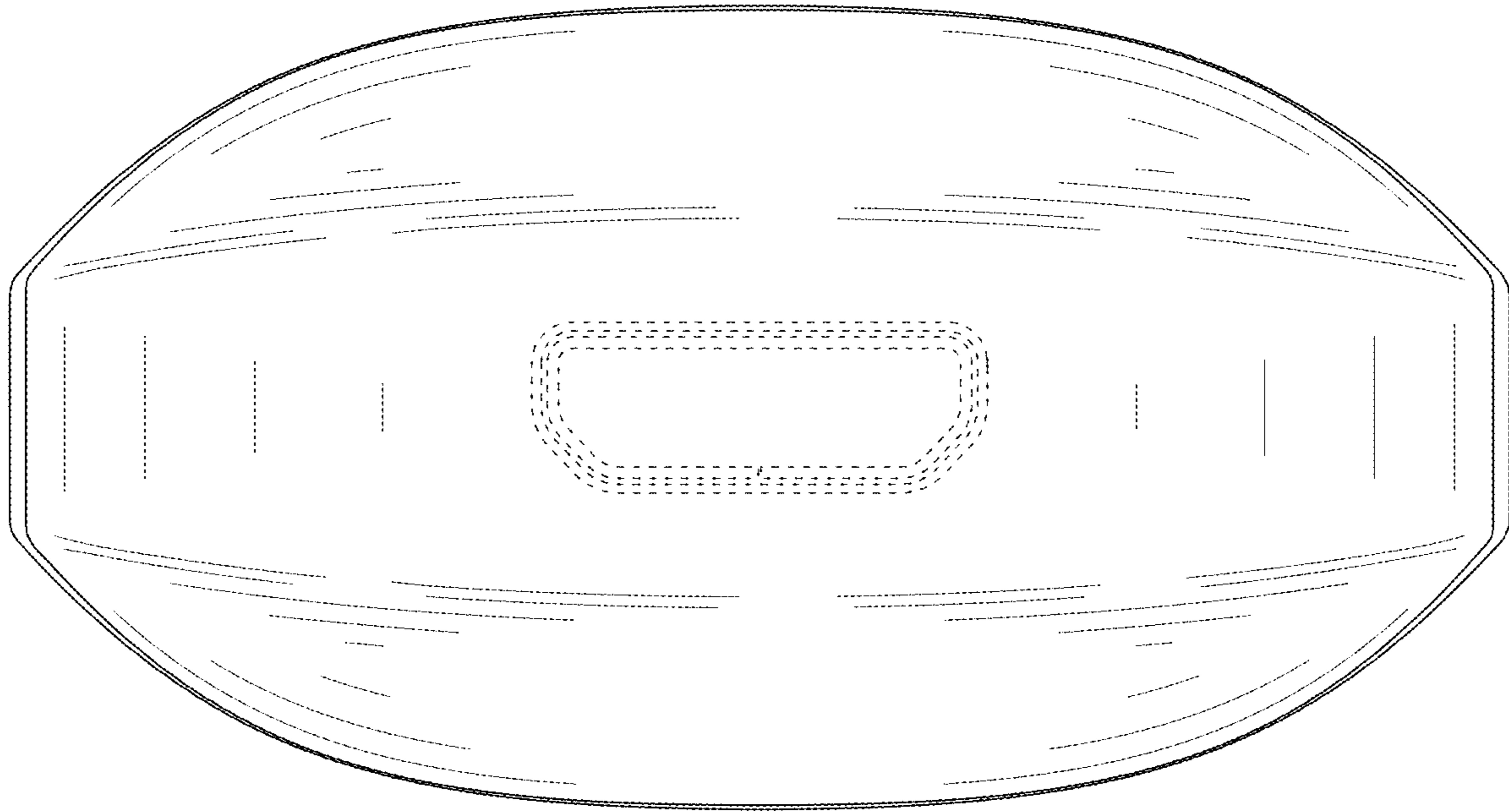


FIG. 8

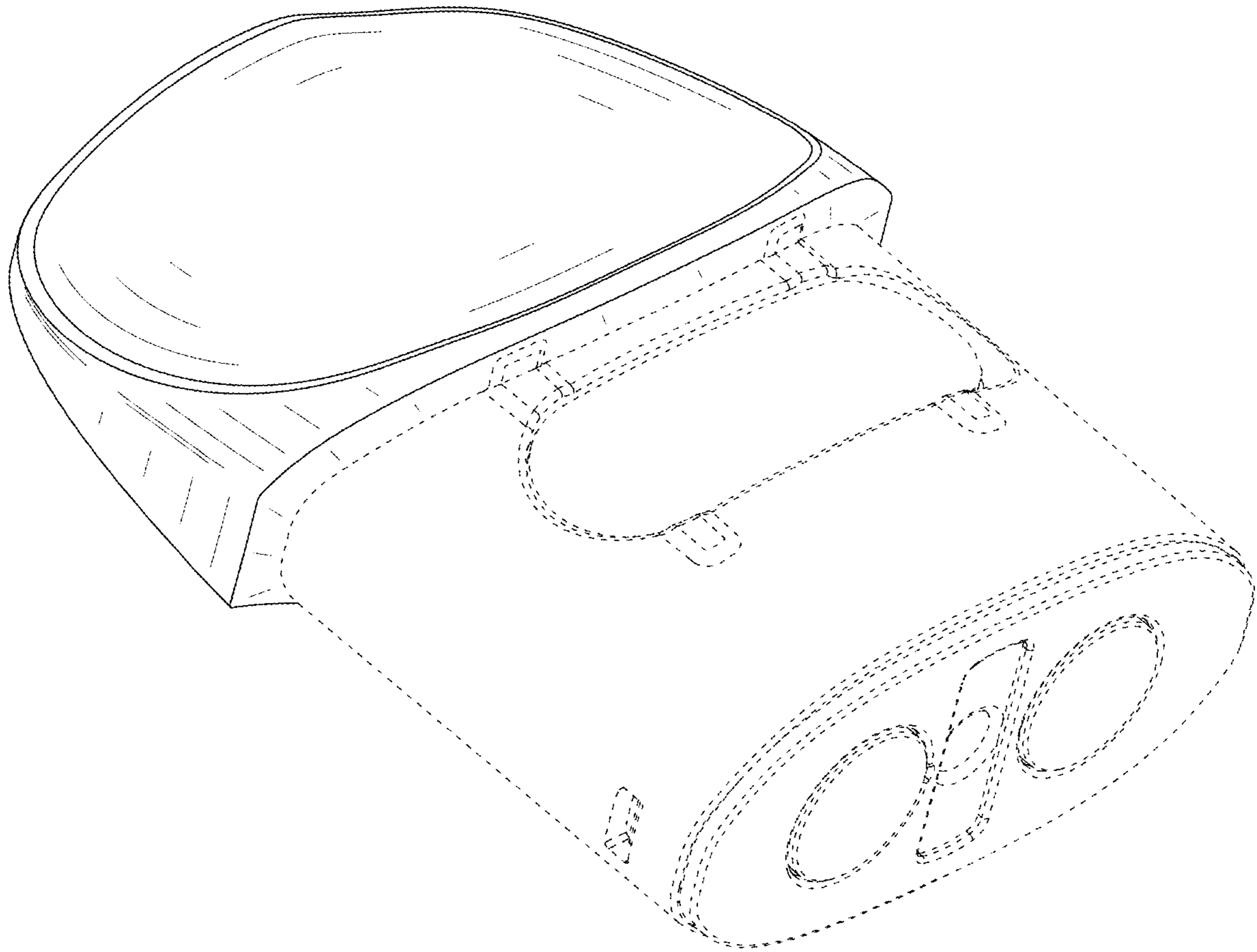


FIG. 9

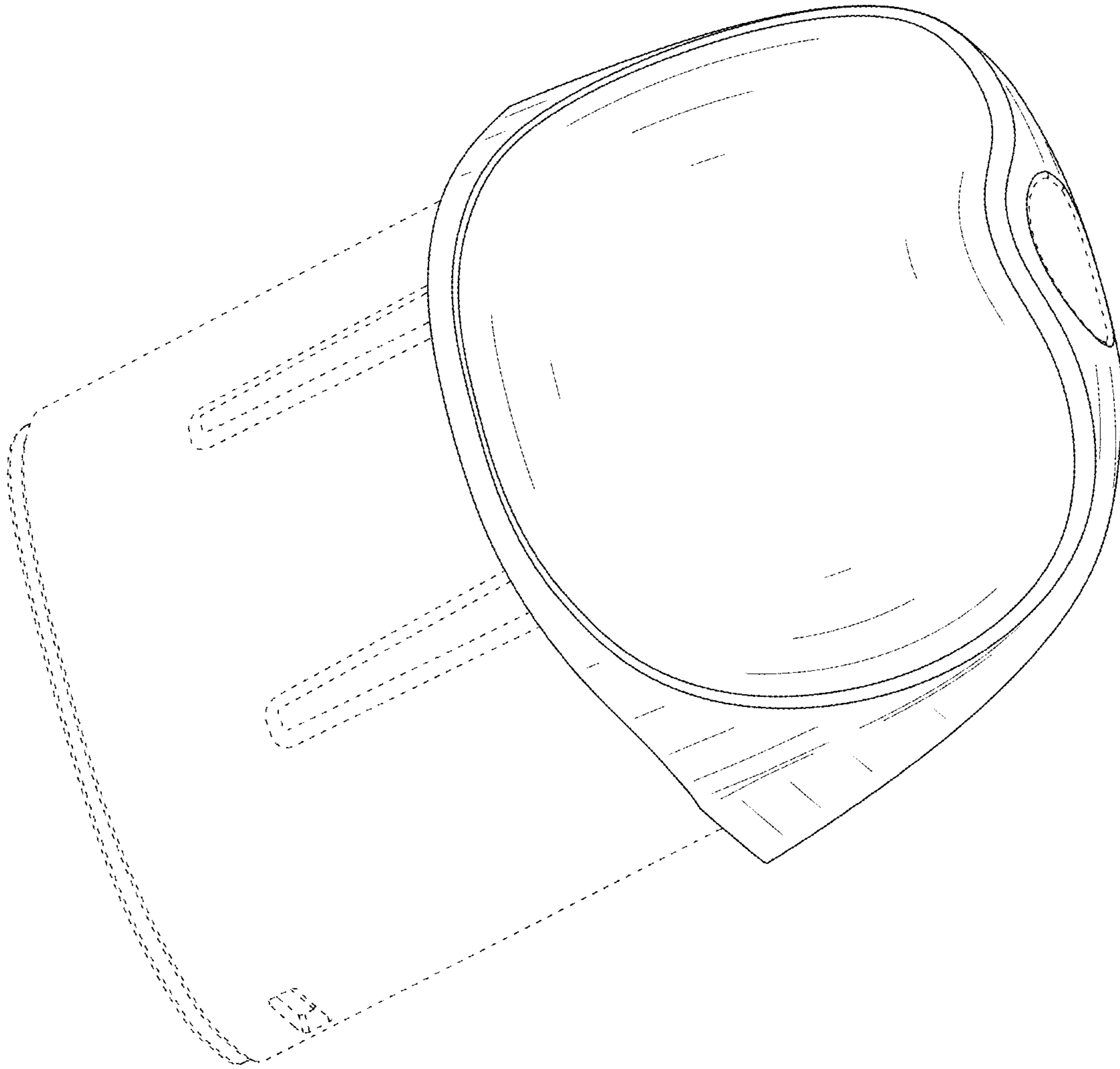


FIG. 10

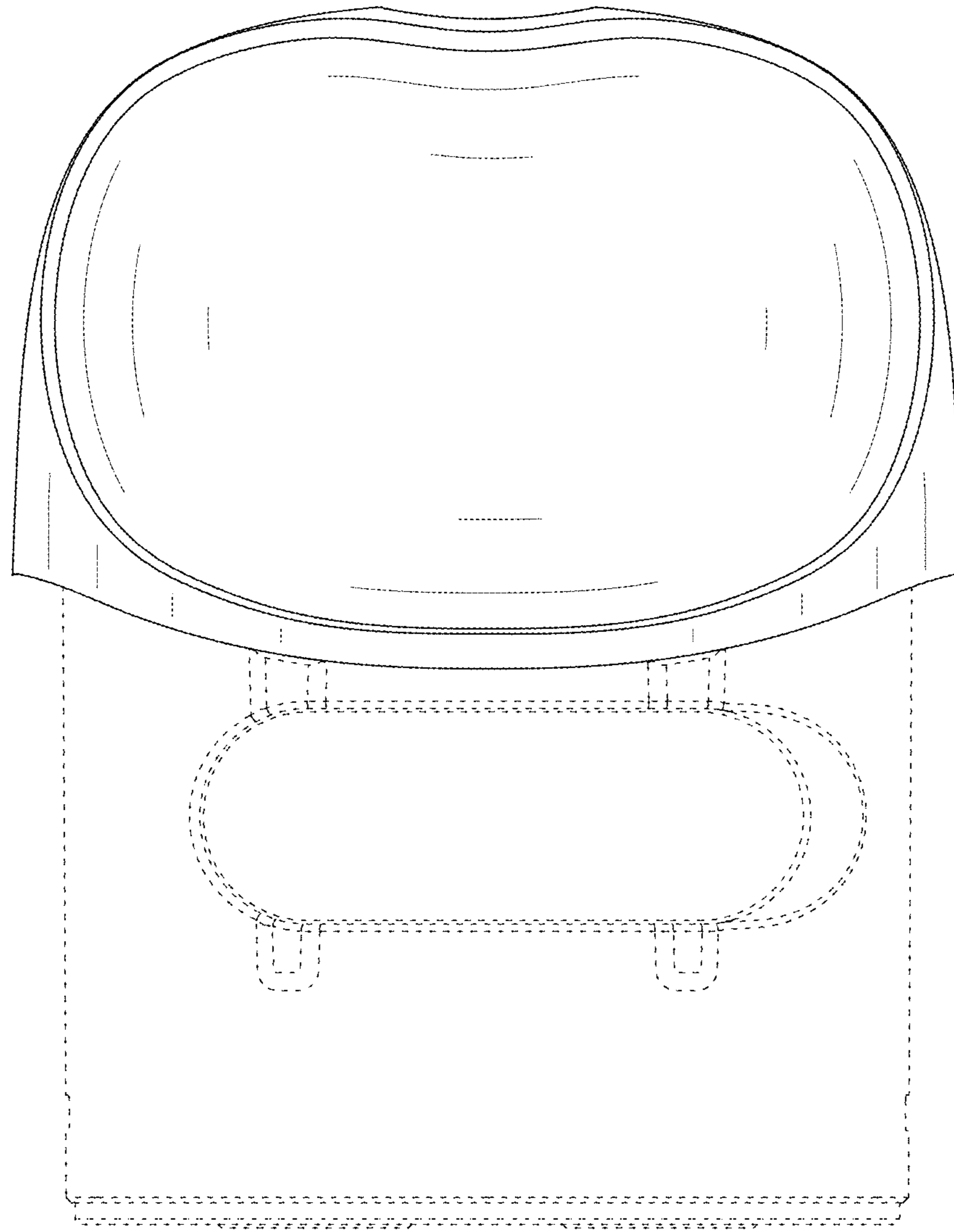


FIG. 11

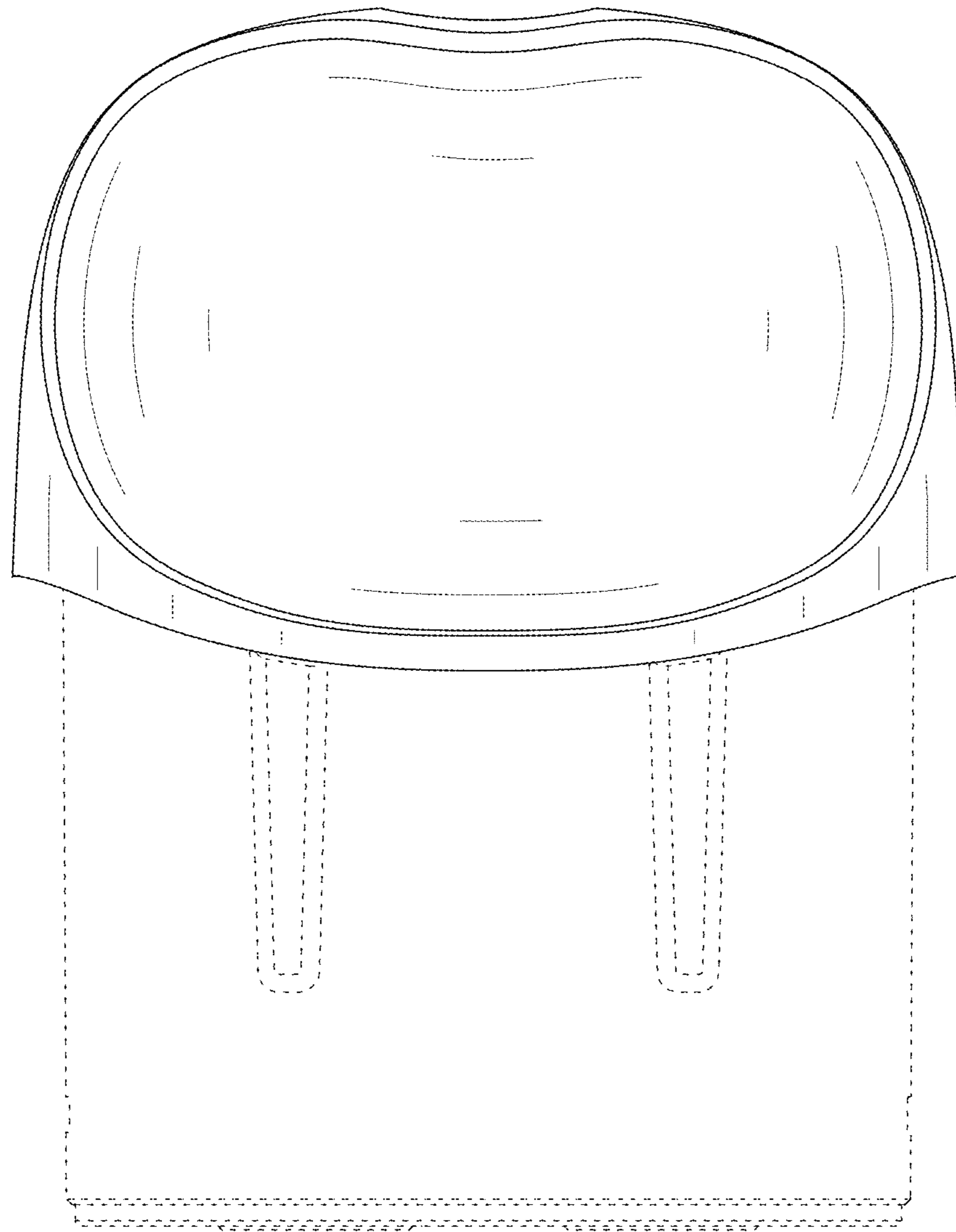


FIG. 12

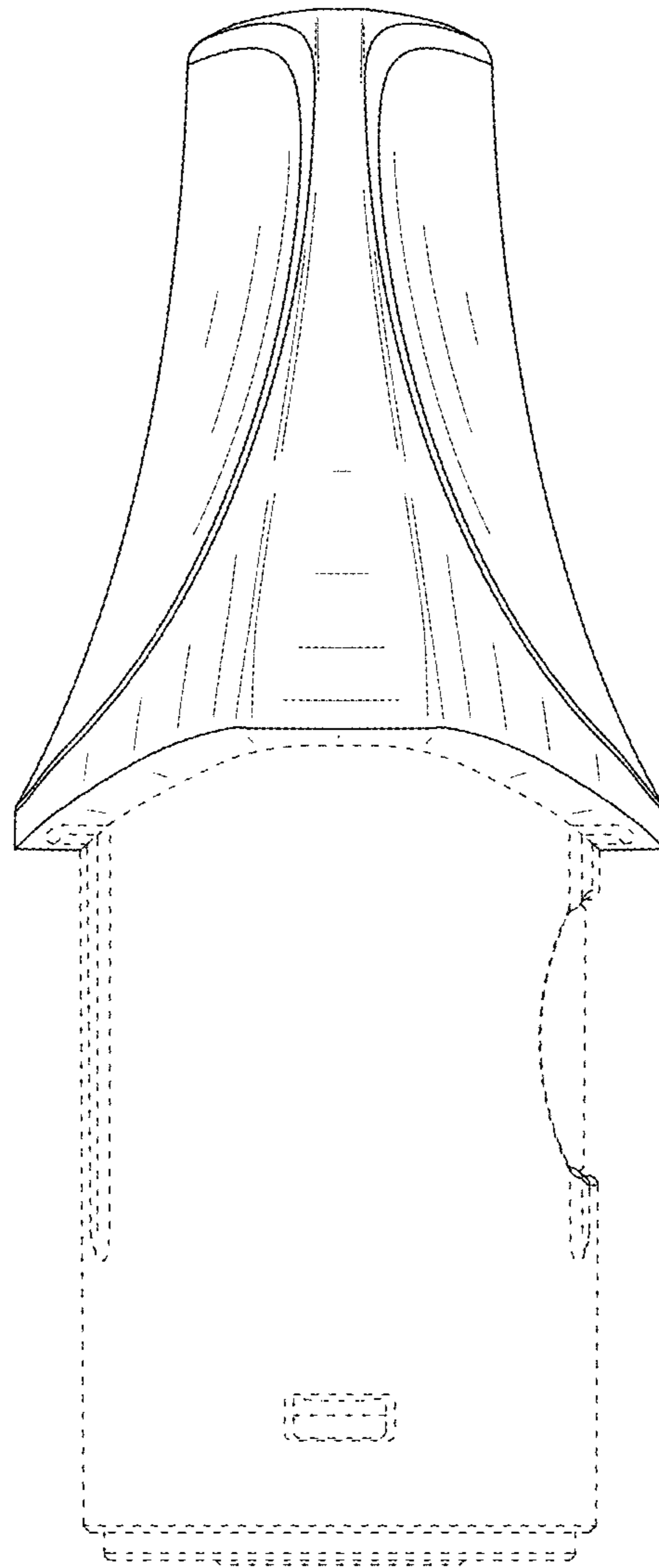


FIG. 13

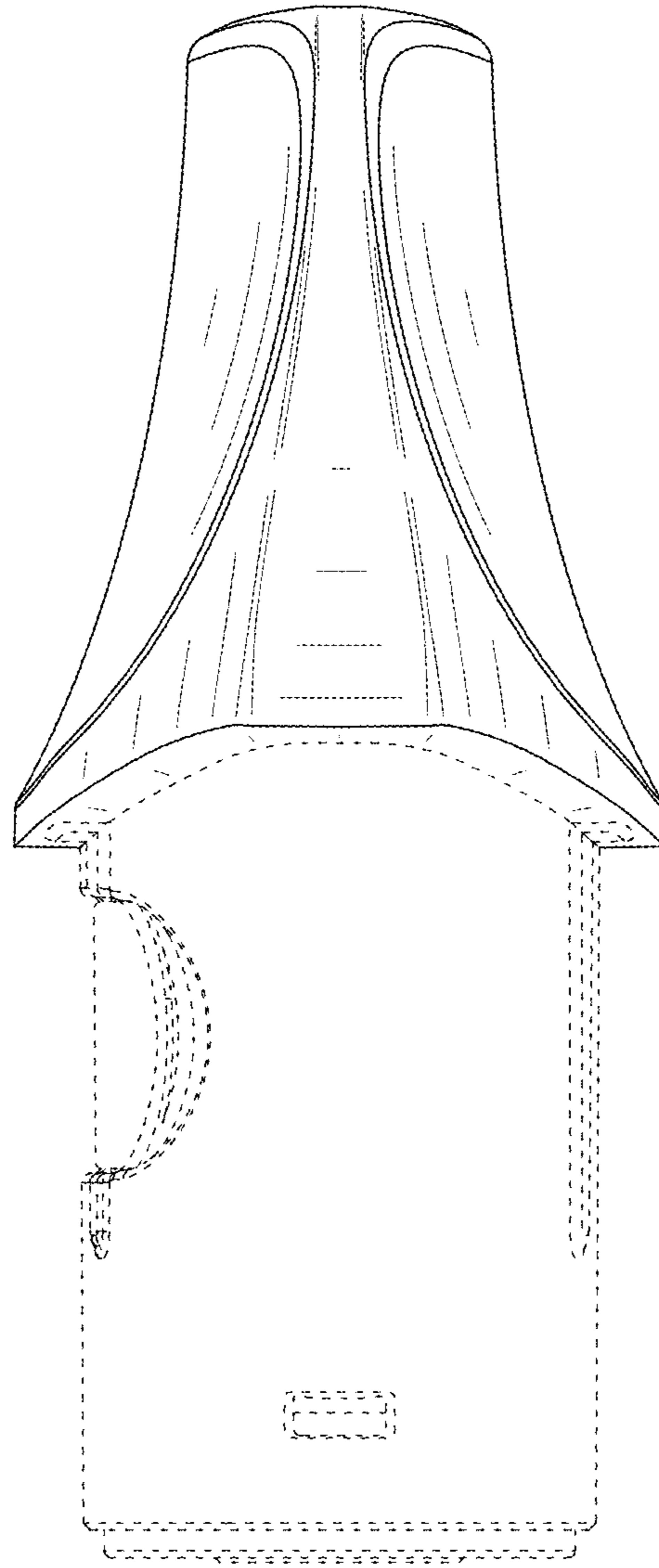


FIG. 14

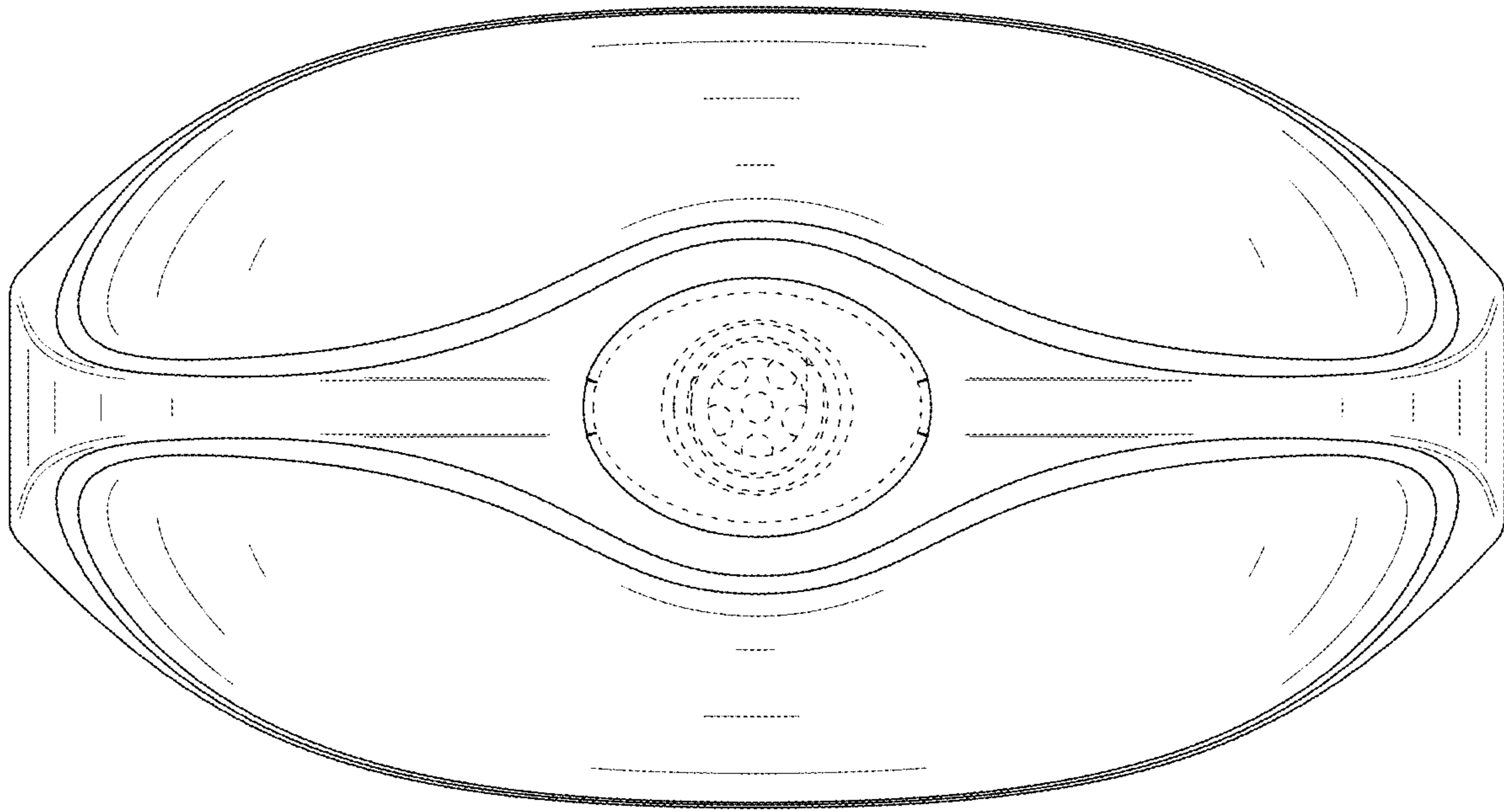


FIG. 15

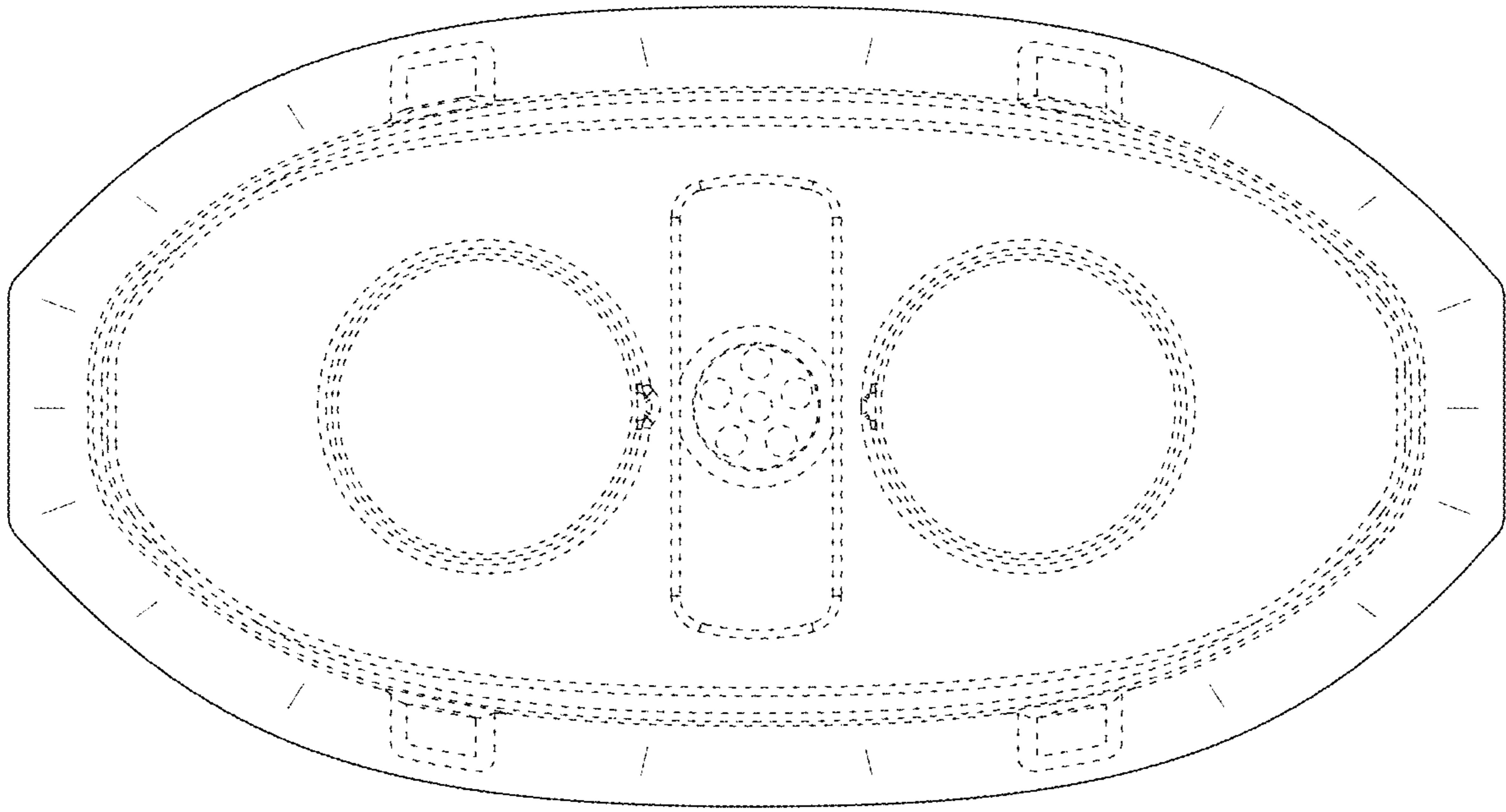


FIG. 16

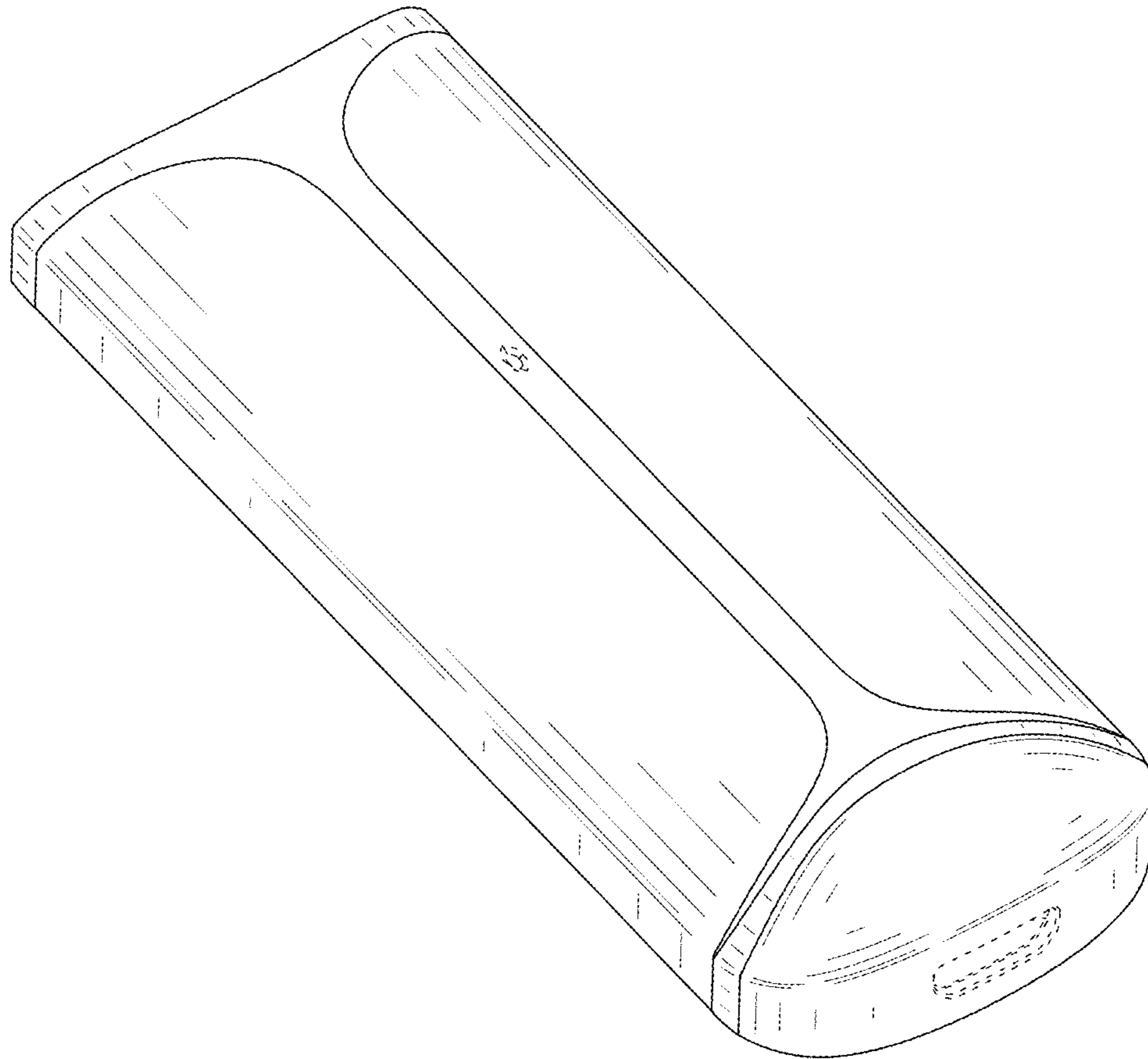


FIG. 17

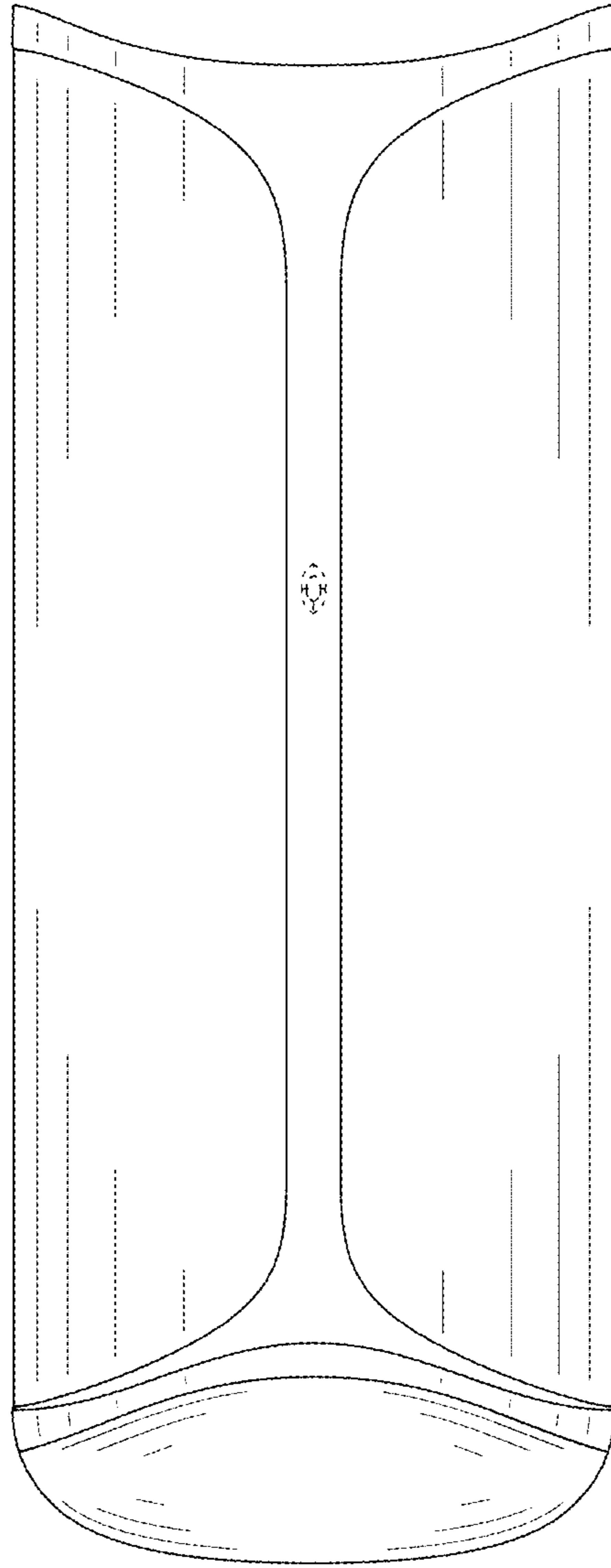


FIG. 18

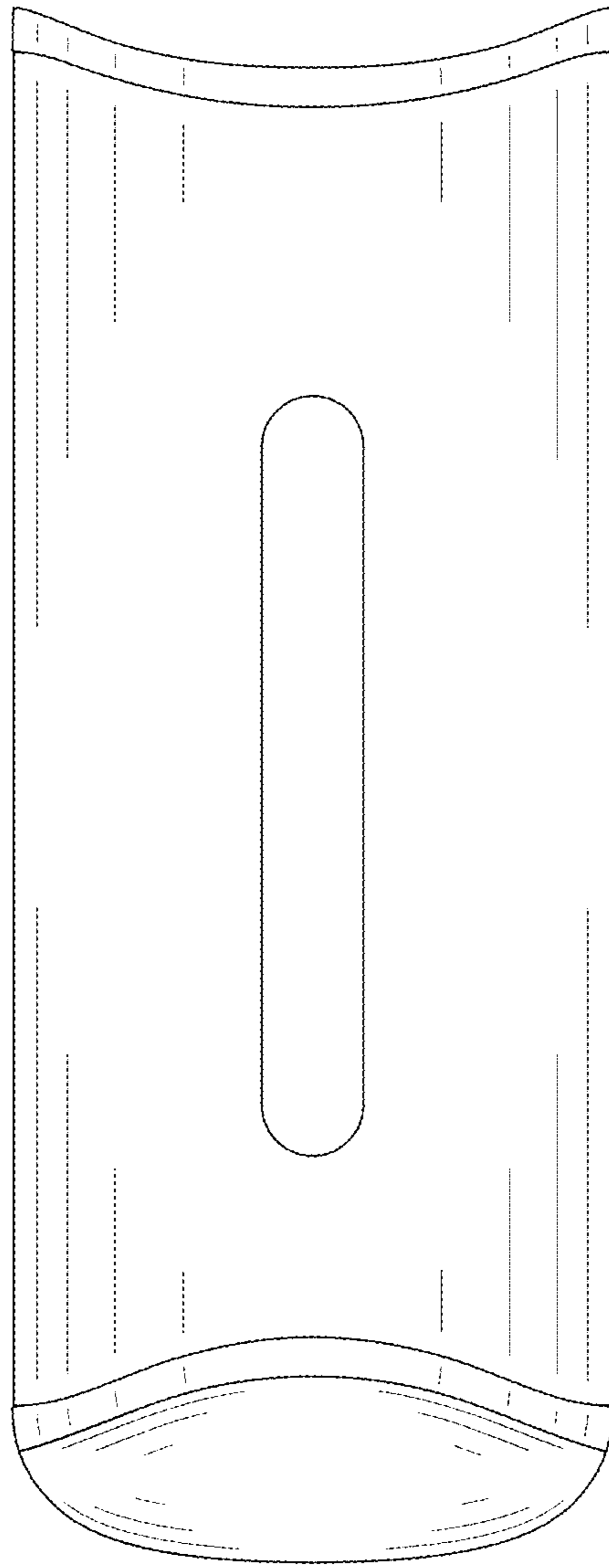


FIG. 19

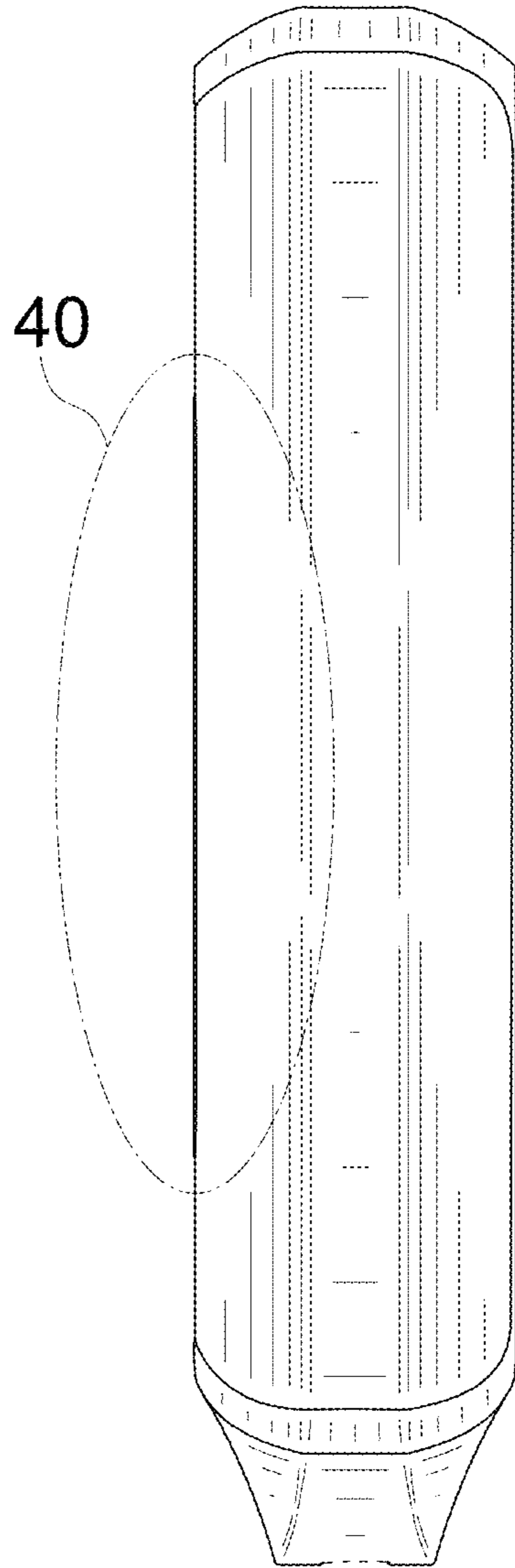


FIG. 20

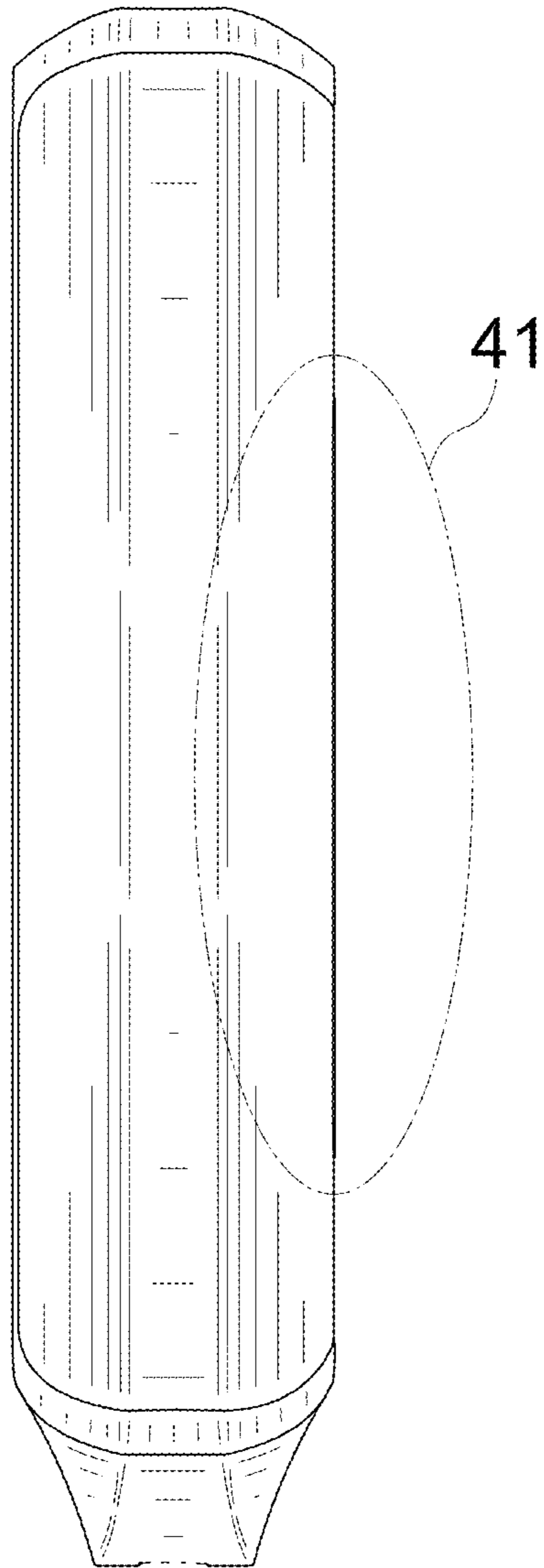


FIG. 21

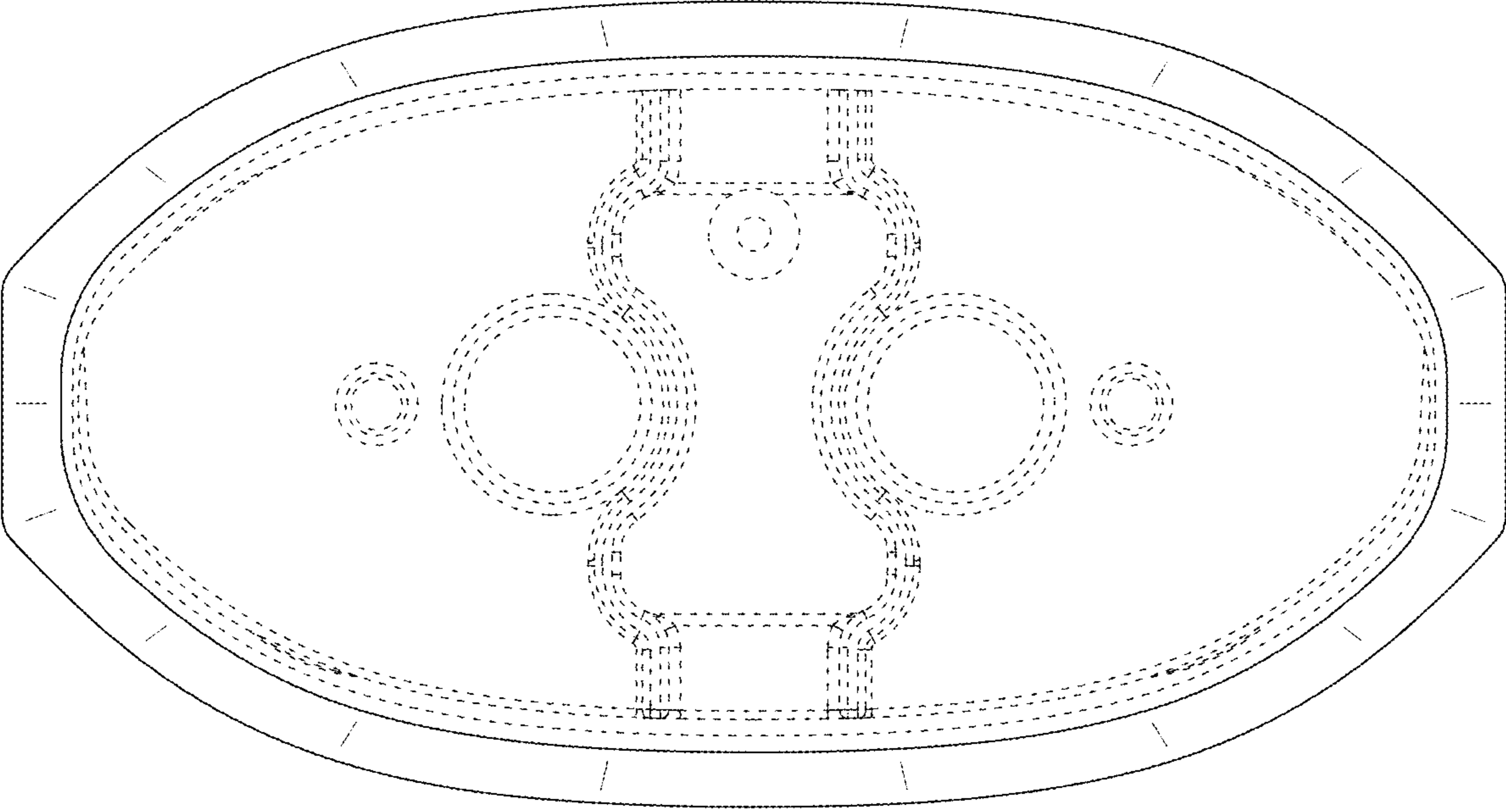


FIG. 22

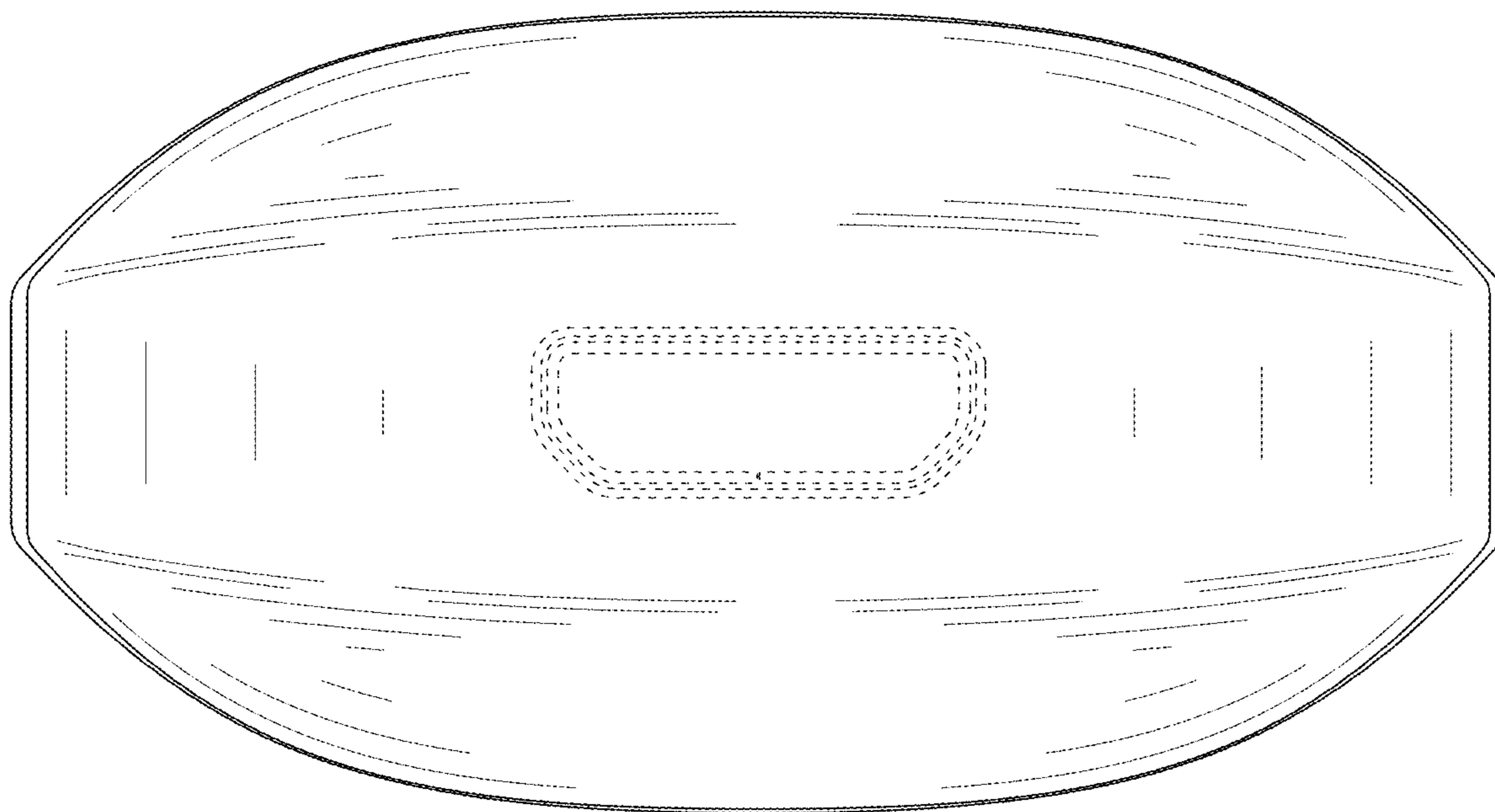


FIG. 23

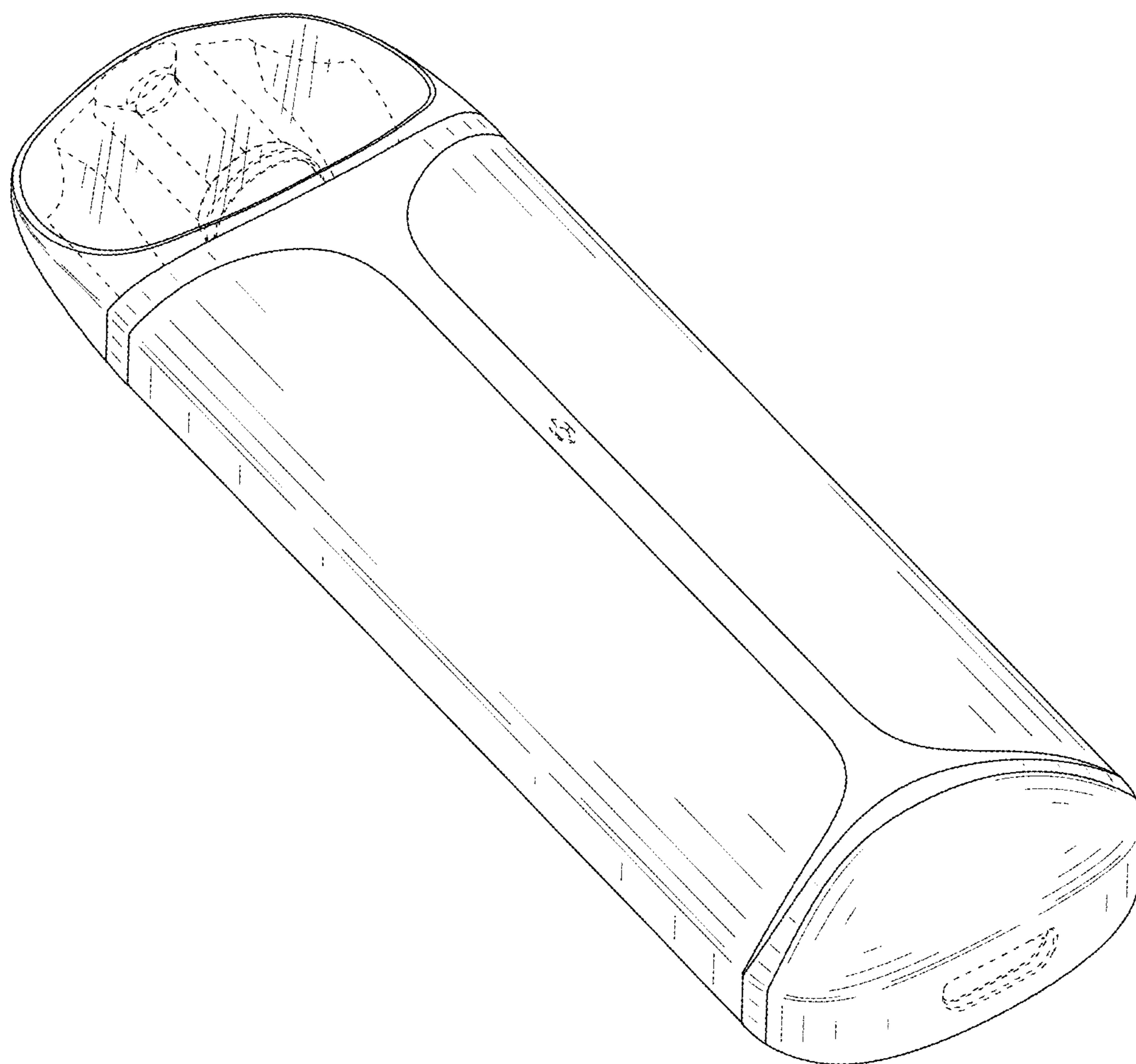


FIG. 24

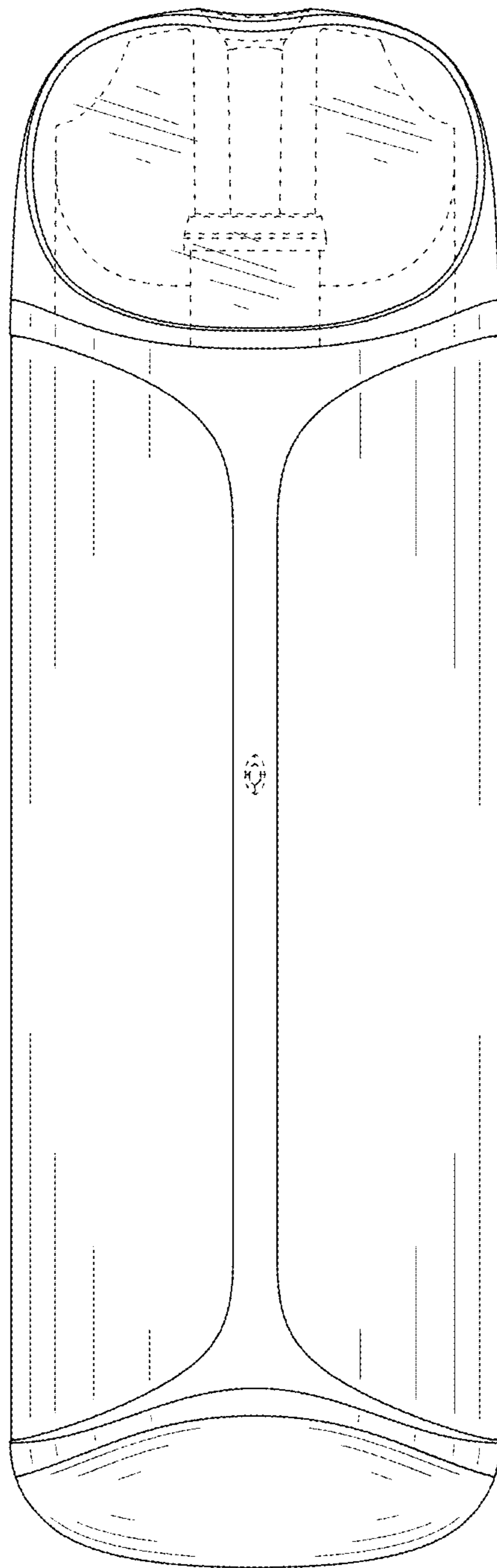


FIG. 25

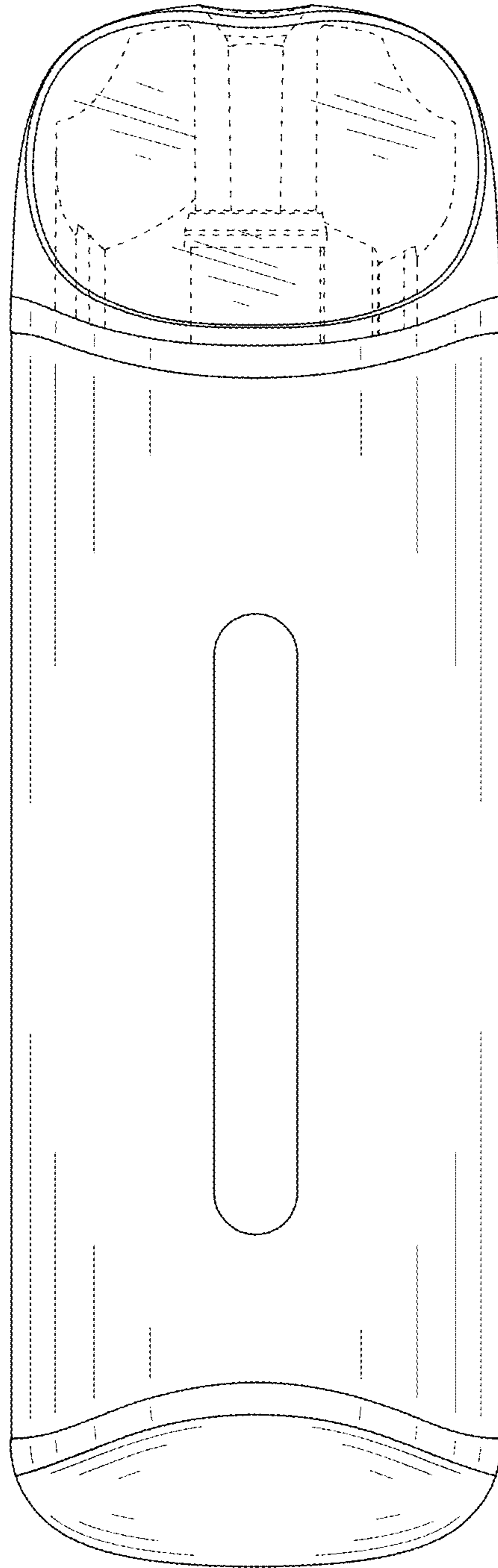


FIG. 26

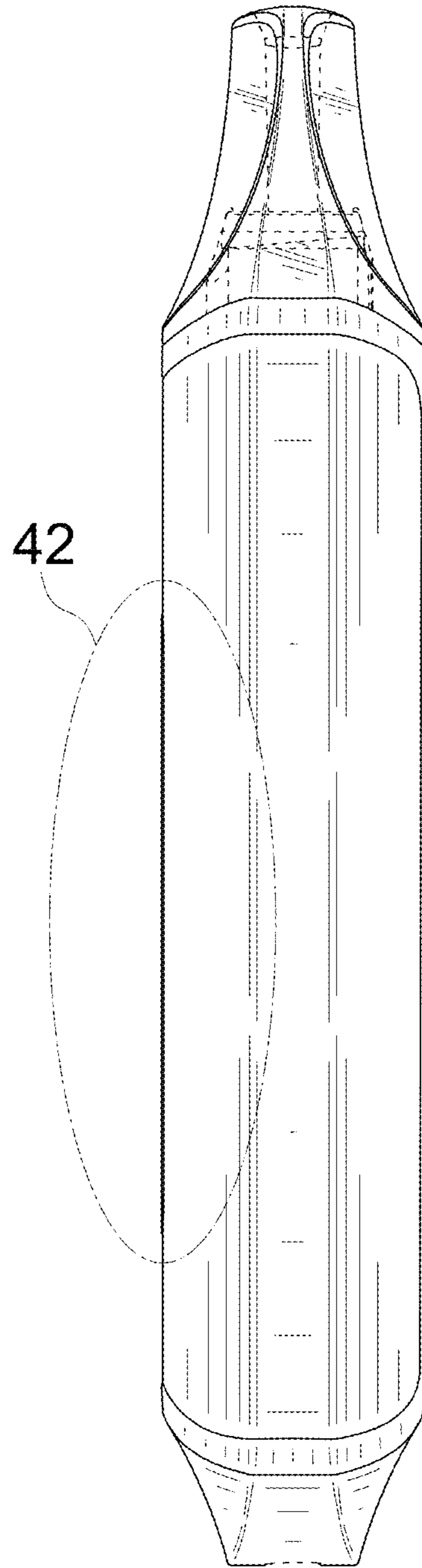


FIG. 27

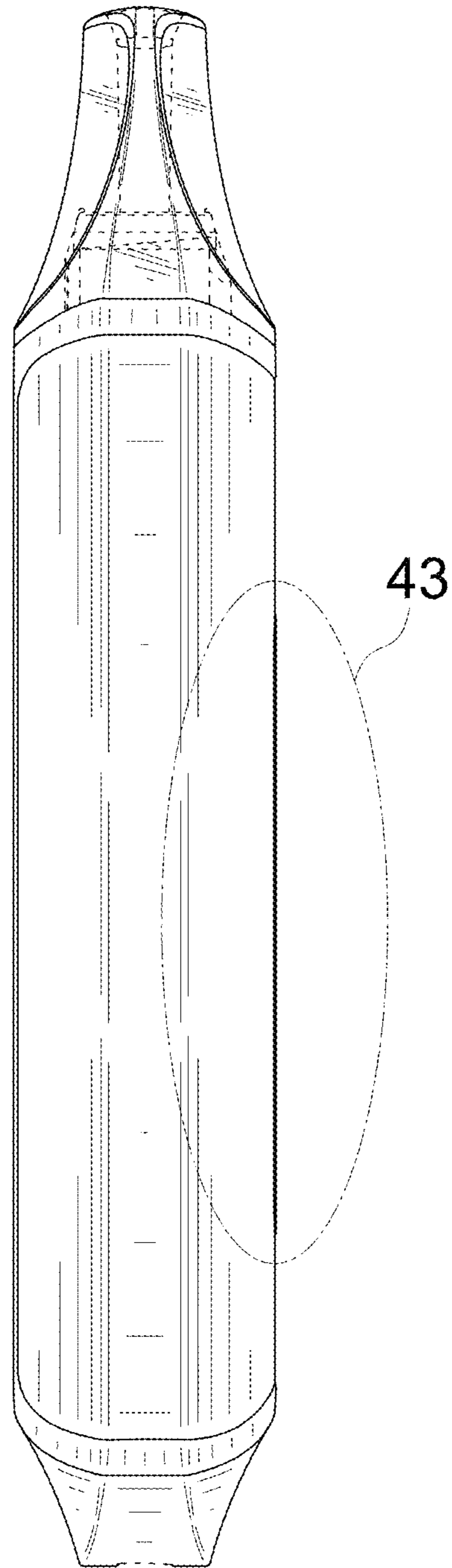


FIG. 28

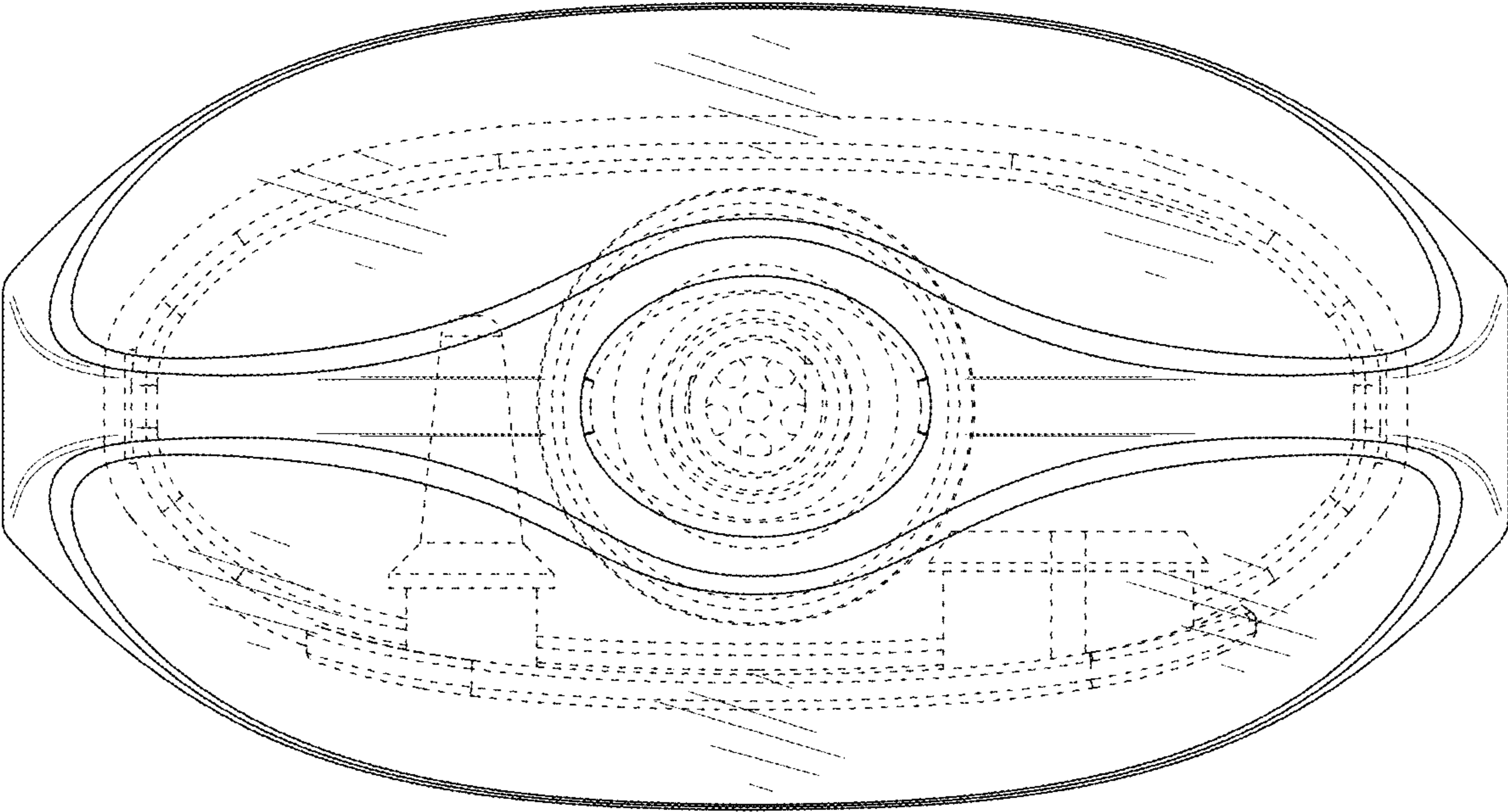


FIG. 29

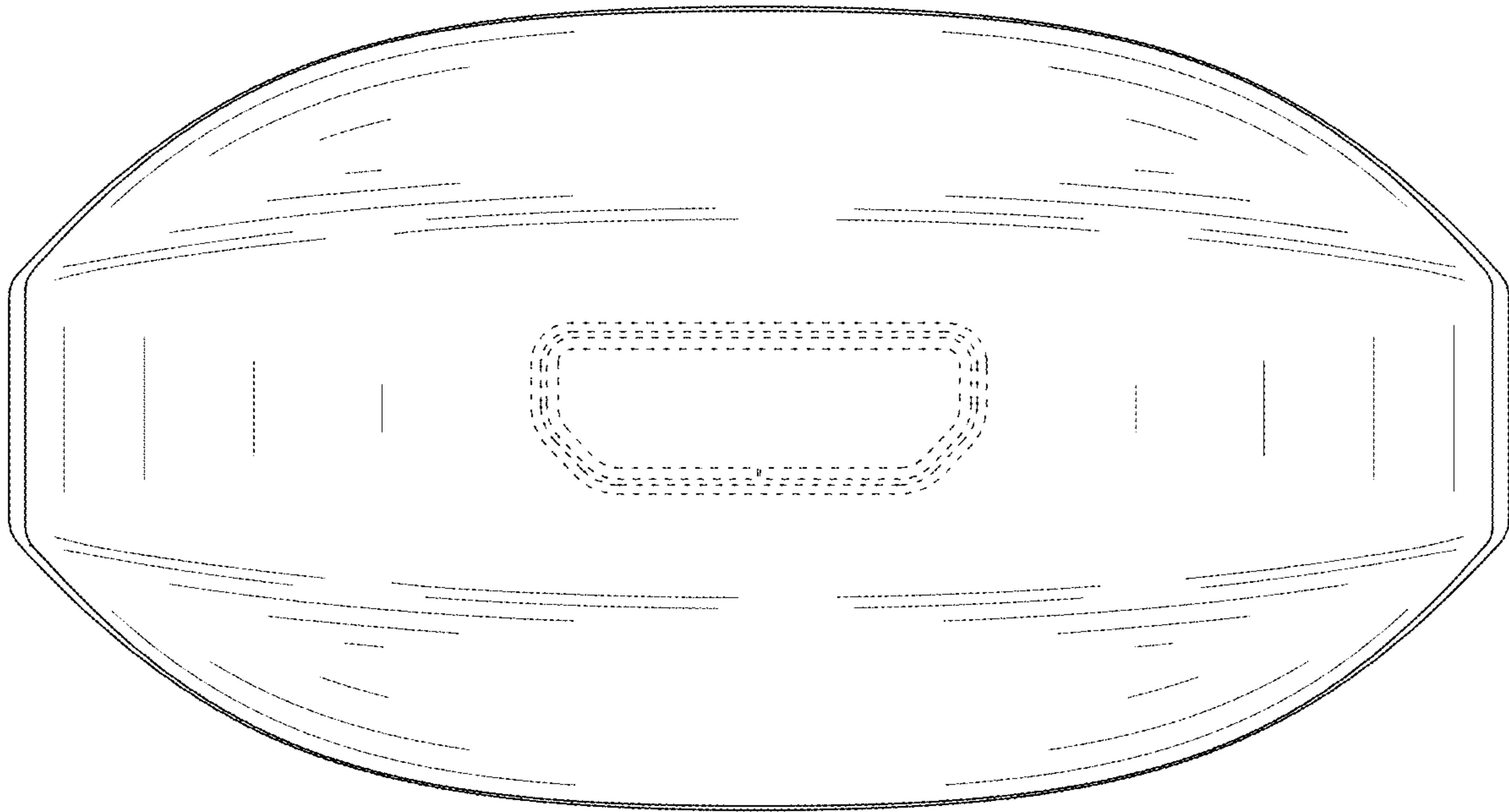


FIG. 30

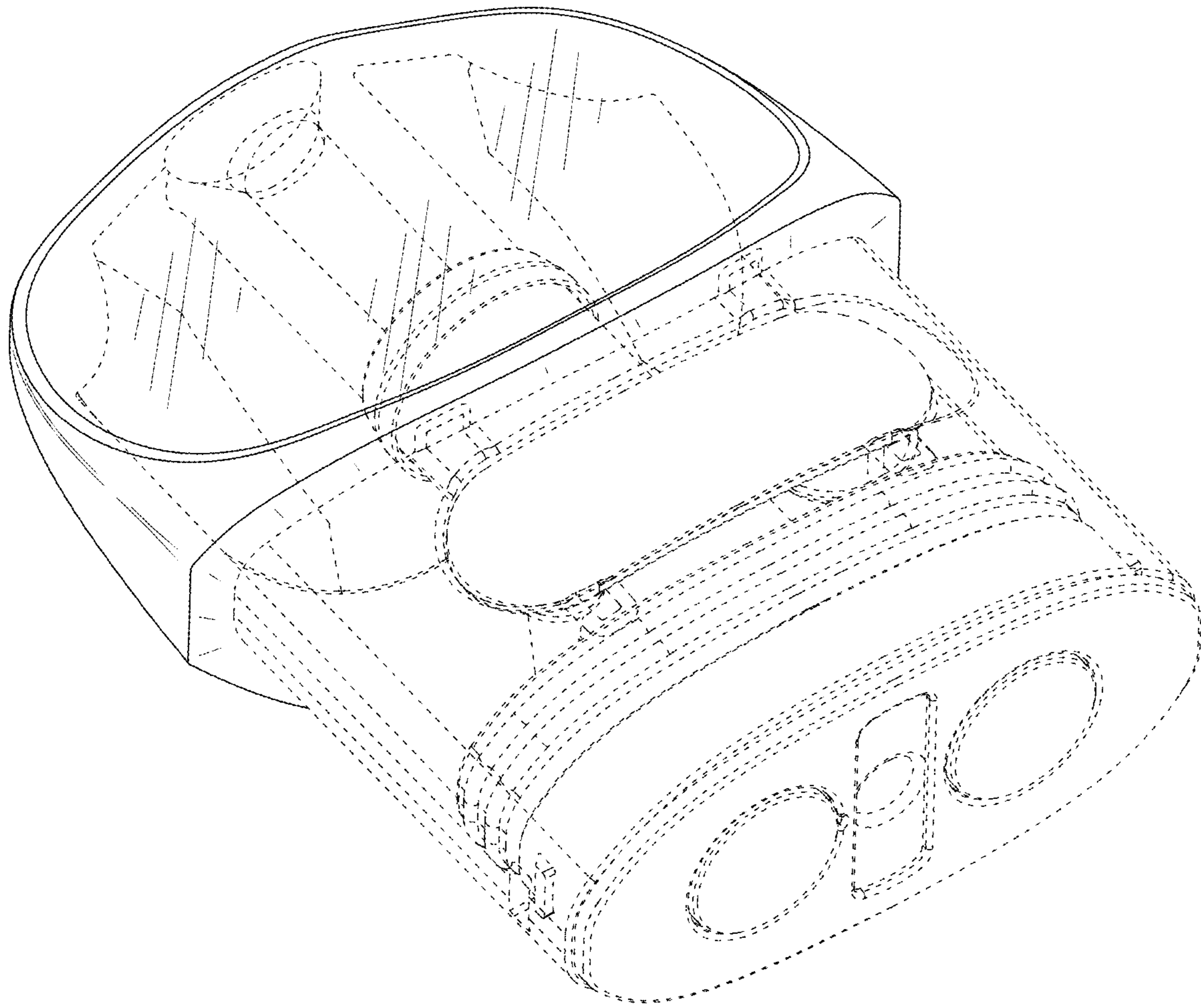


FIG. 31

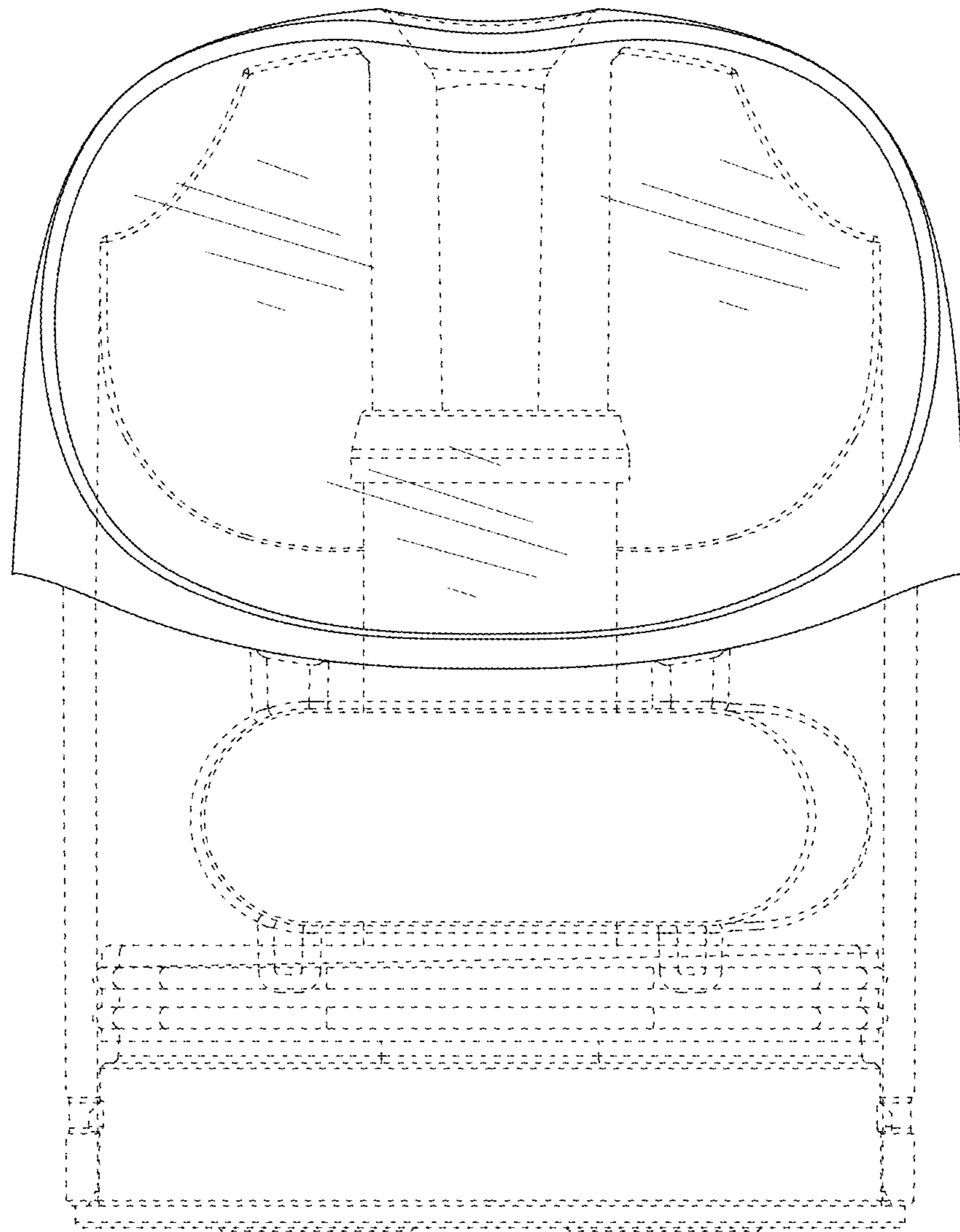


FIG. 32

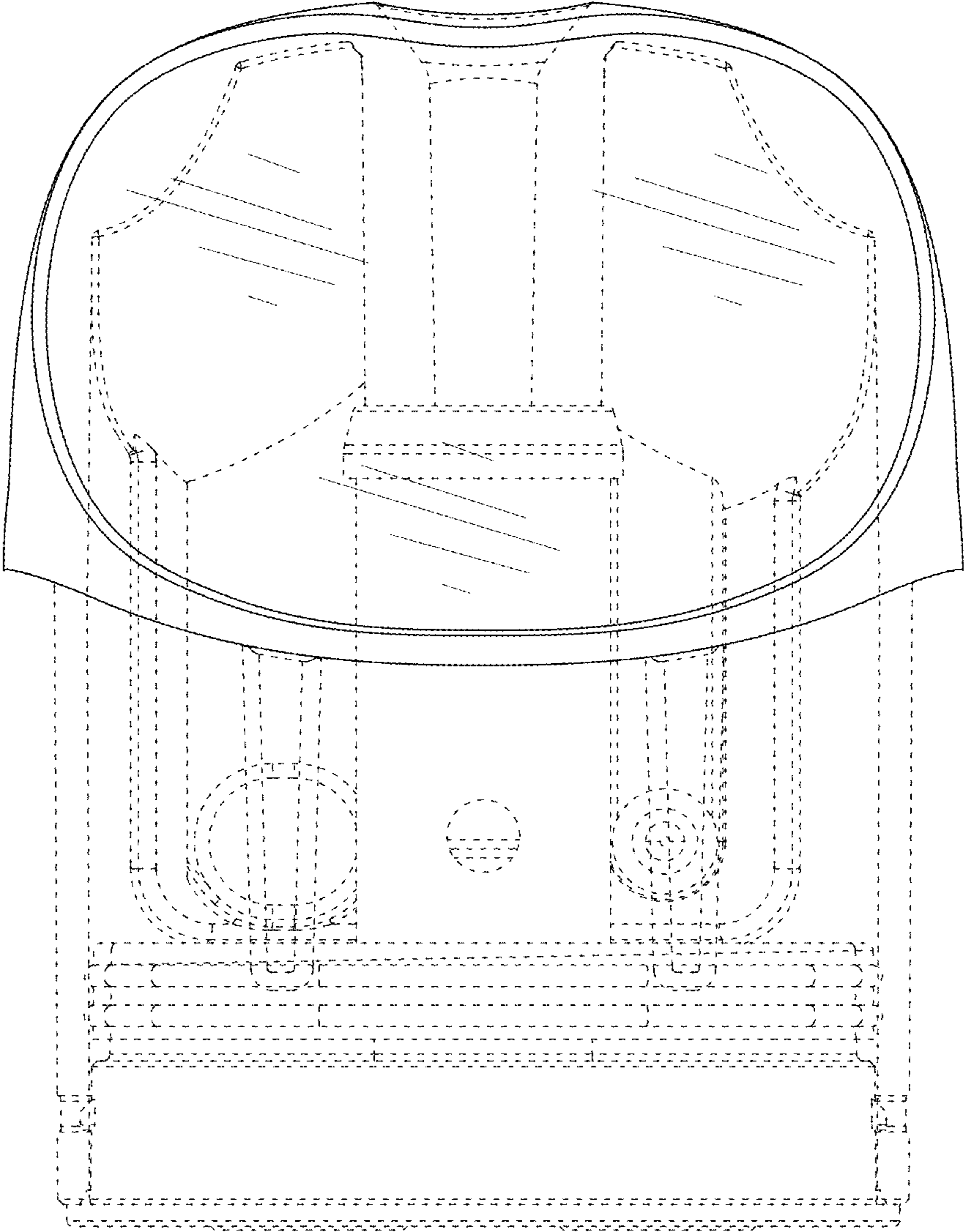


FIG. 33

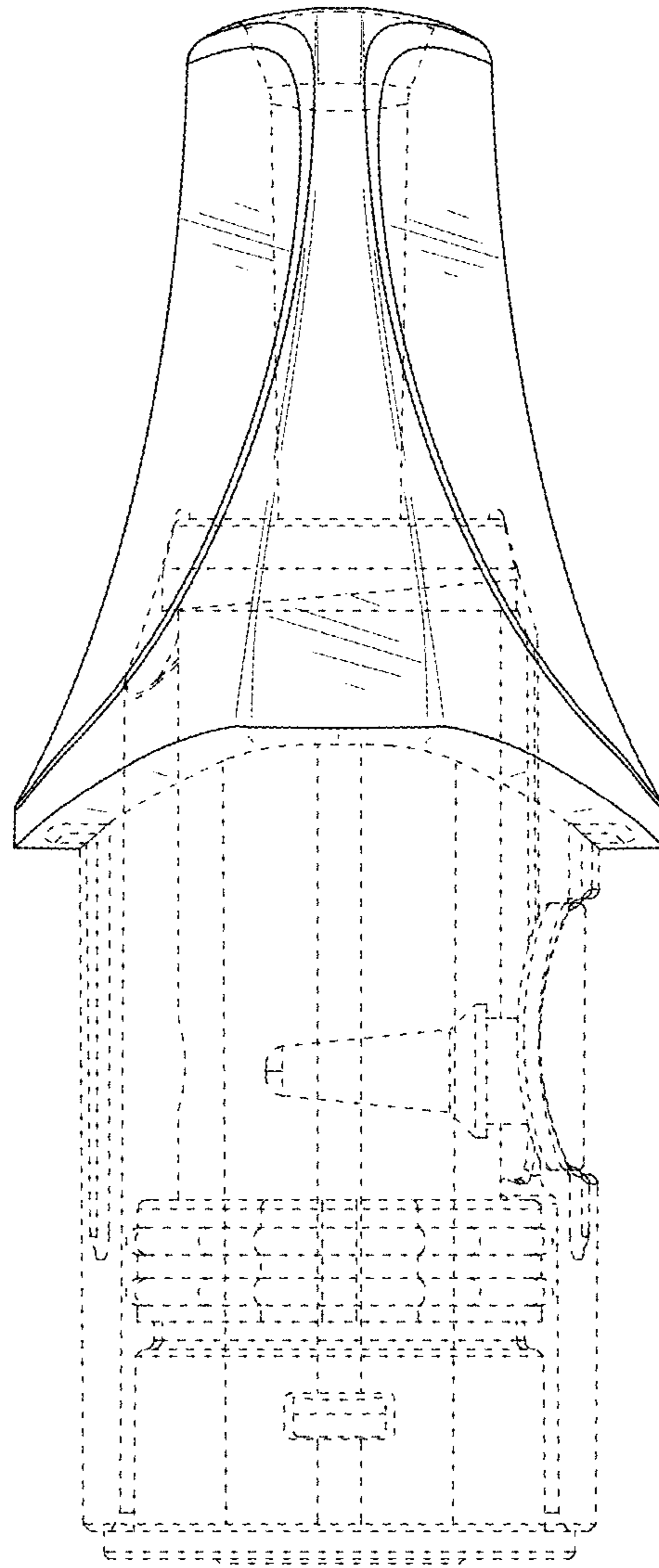


FIG. 34

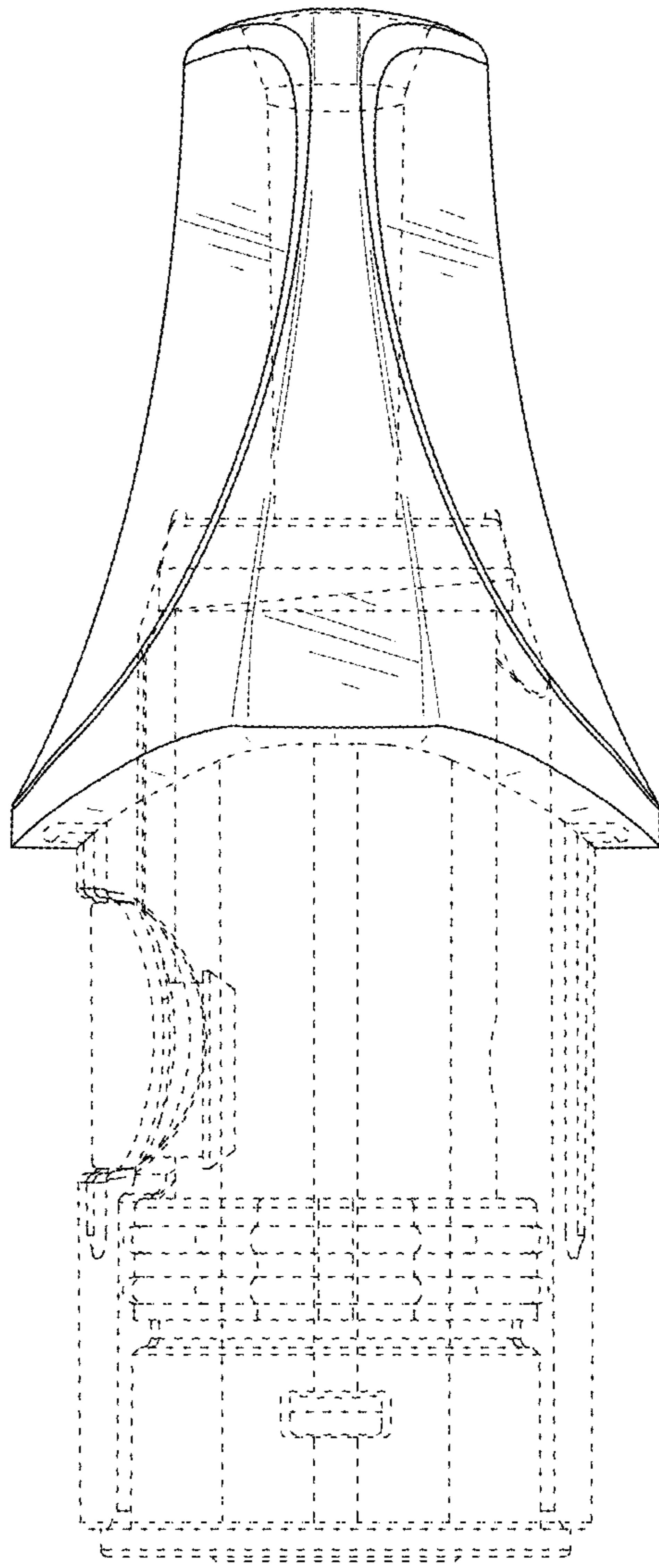


FIG. 35

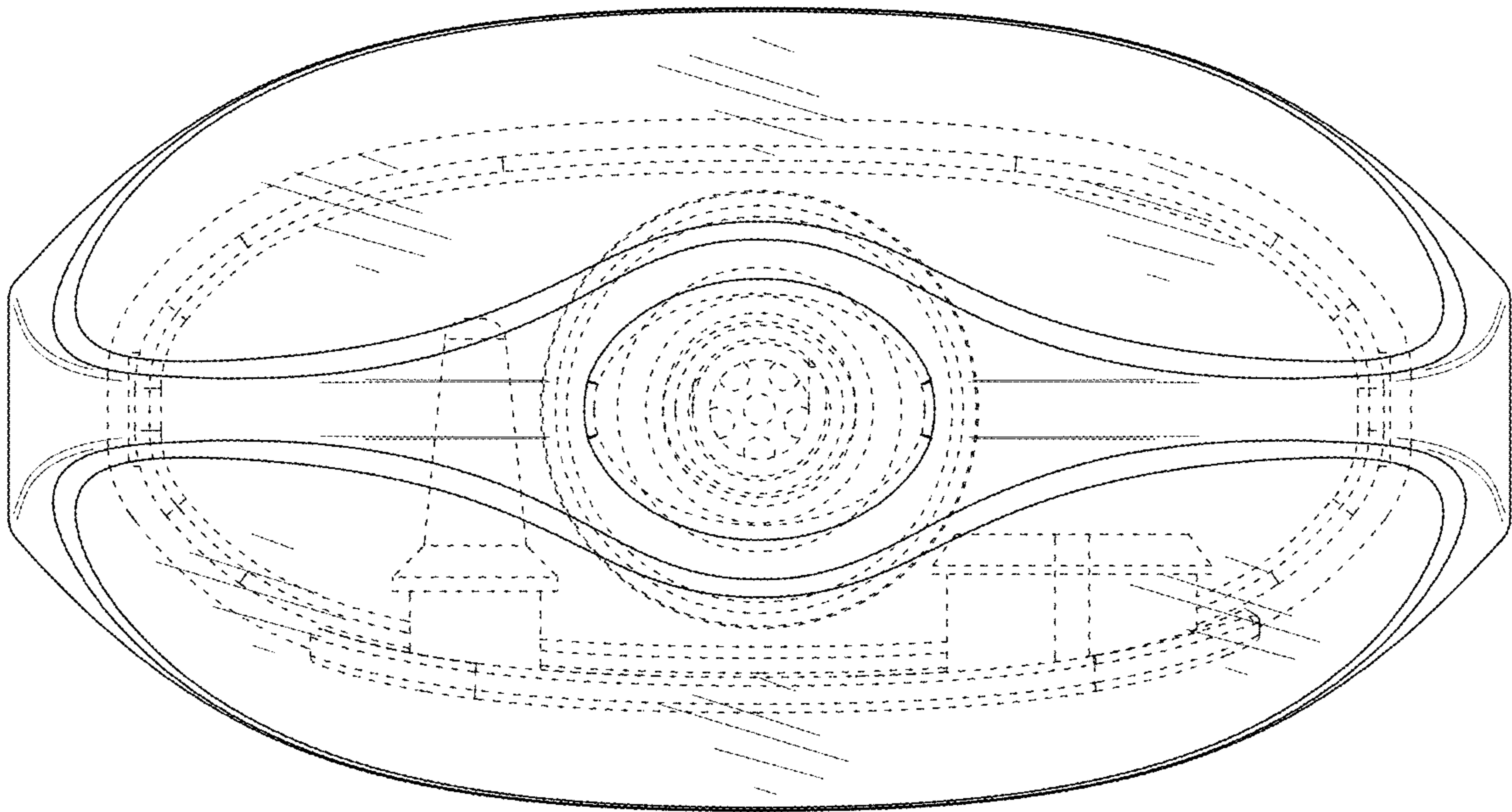


FIG. 36

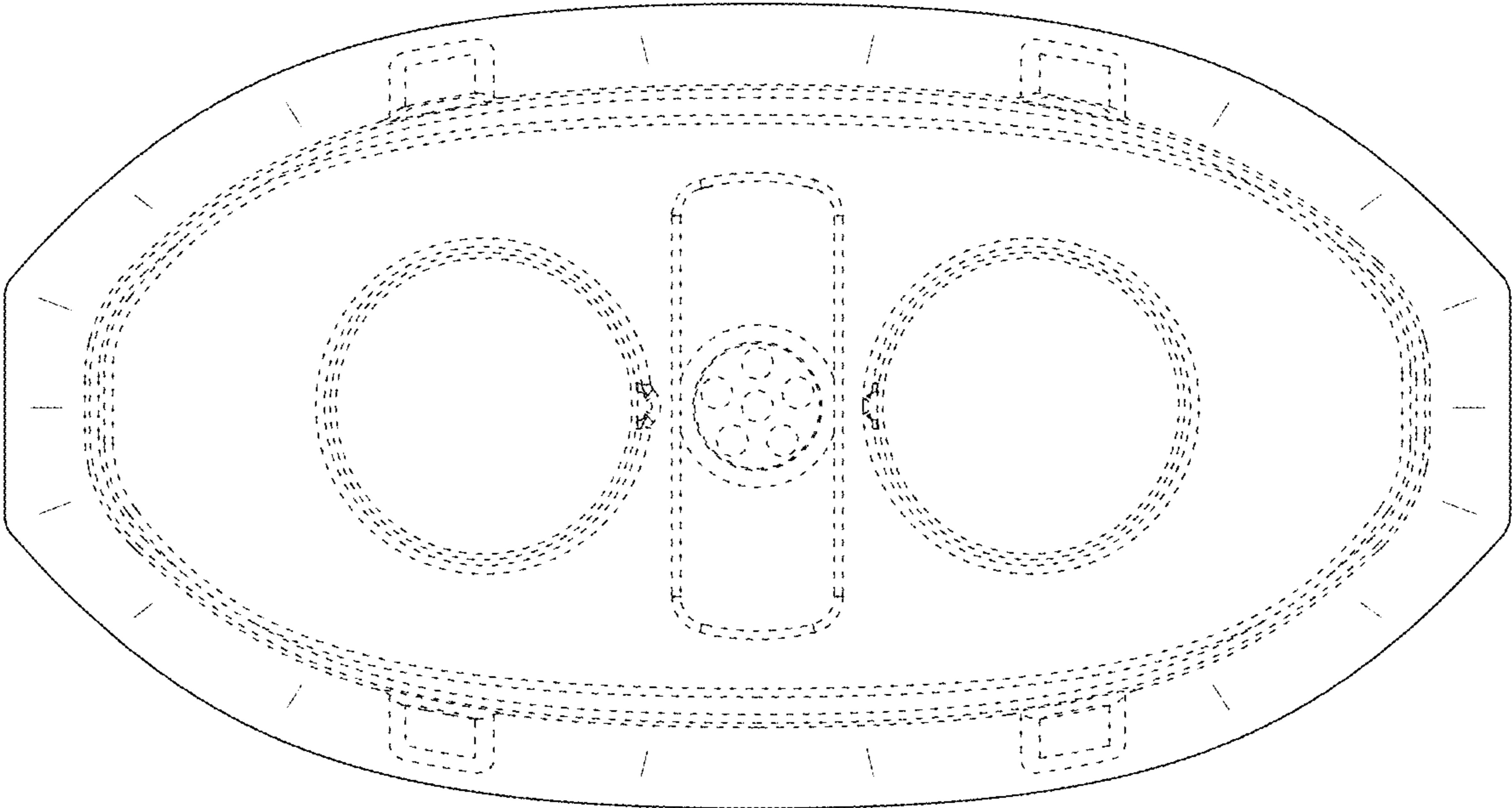


FIG. 37

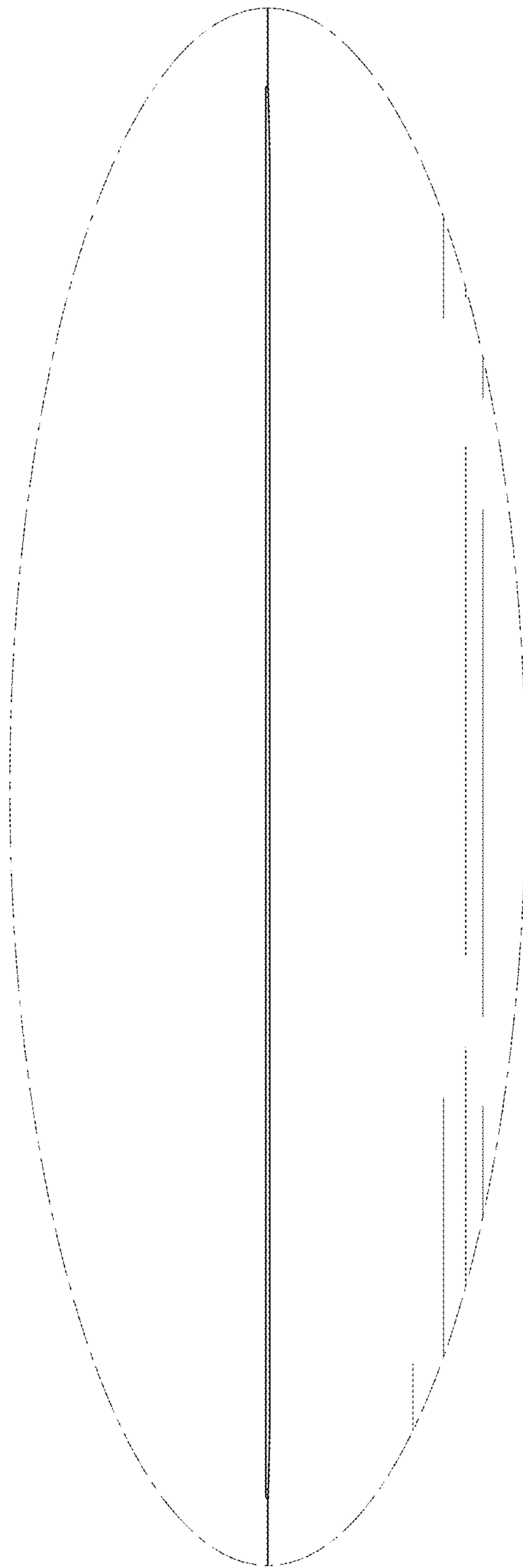


FIG. 38

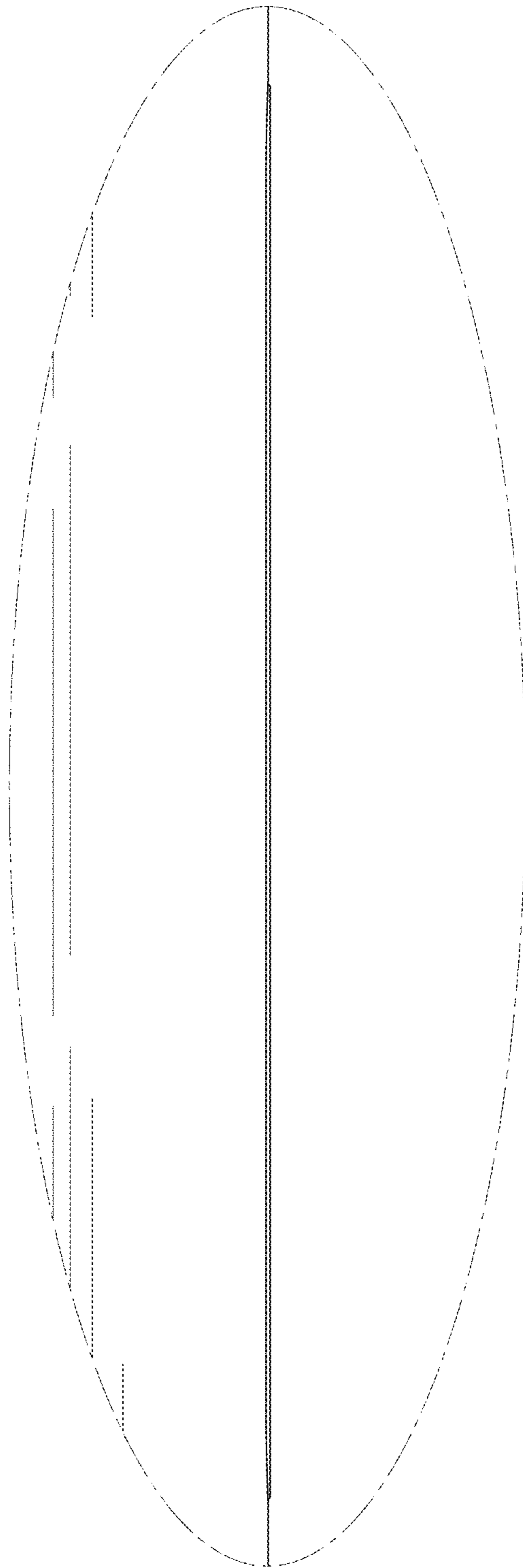


FIG. 39

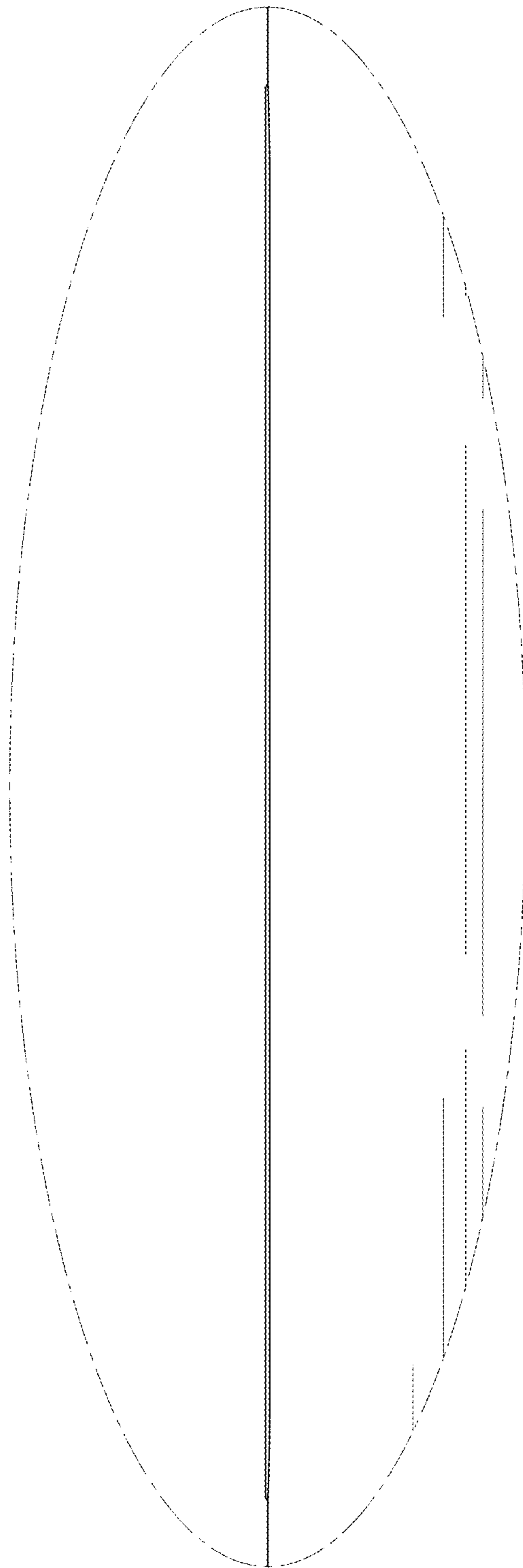


FIG. 40

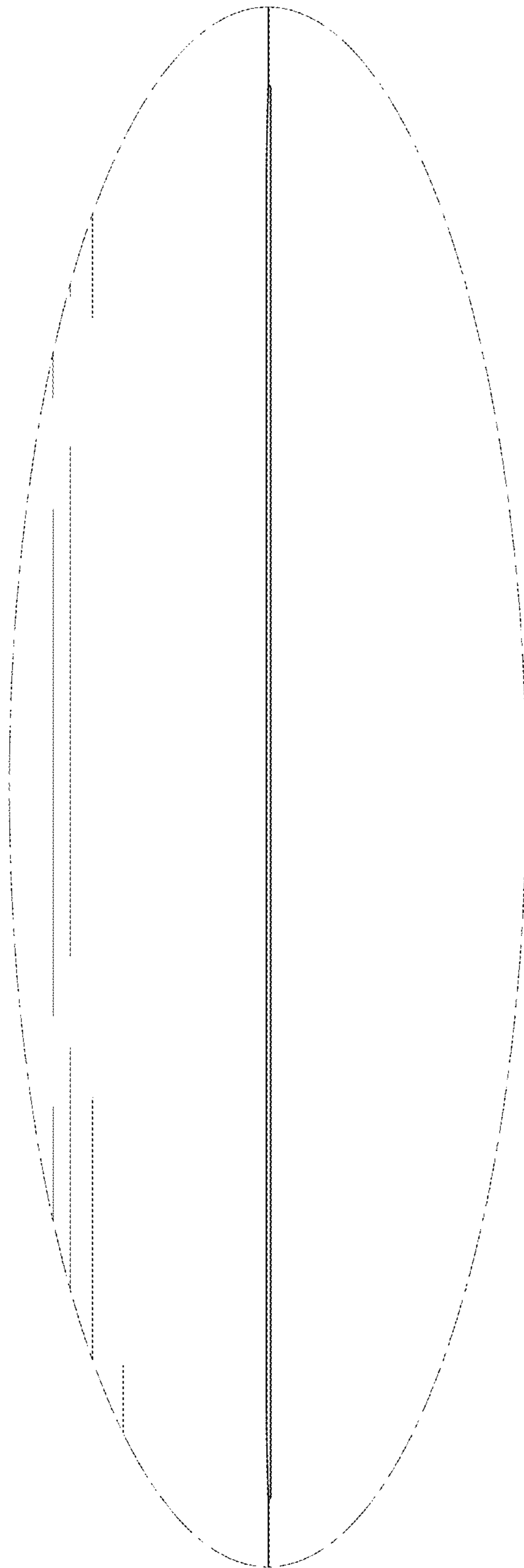


FIG. 41

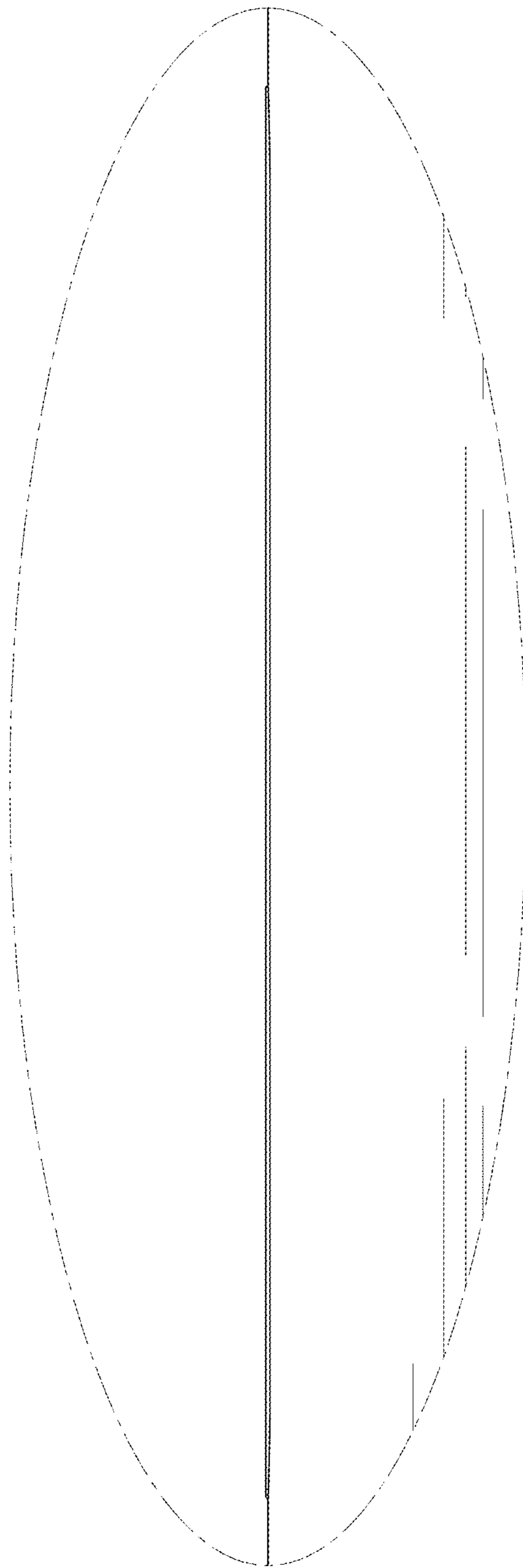


FIG. 42

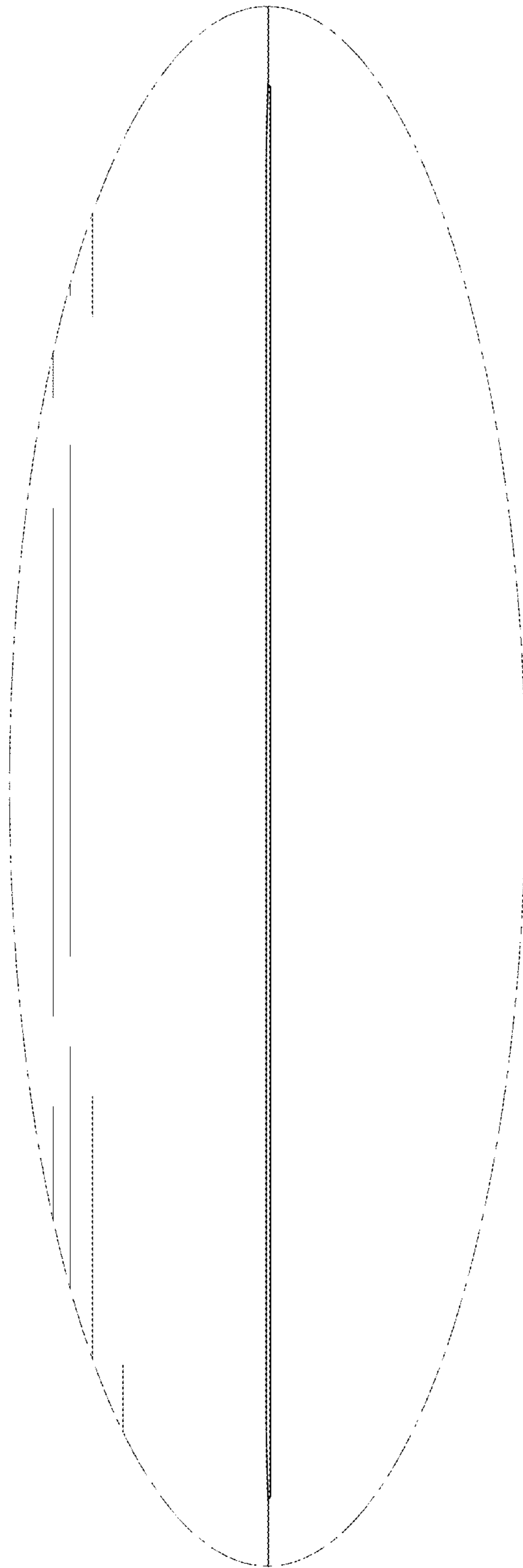


FIG. 43