



US00D937478S

(12) **United States Design Patent** (10) **Patent No.:** **US D937,478 S**
Filleul et al. (45) **Date of Patent:** **** Nov. 30, 2021**

(54) **ELECTRONIC VAPING DEVICE**
(71) Applicant: **Altria Client Services LLC**,
Richmond, VA (US)
(72) Inventors: **Bayden Filleul**, Dublin (IE); **Michael Nolan**, Dublin (IE); **Florent Cuchet**,
Stockholm (SE)
(73) Assignee: **Altria Client Services LLC**,
Richmond, VA (US)
(**) Term: **15 Years**
(21) Appl. No.: **29/730,913**
(22) Filed: **Apr. 9, 2020**

Related U.S. Application Data

(62) Division of application No. 29/657,303, filed on Jul. 20, 2018, now Pat. No. Des. 883,566.

Foreign Application Priority Data

(30) Jan. 24, 2018 (EM) 004678688-0001
Jan. 24, 2018 (EM) 004678688-0002
Jan. 24, 2018 (EM) 004678688-0003
Jan. 24, 2018 (EM) 004678688-0004
Jan. 24, 2018 (EM) 004678688-0005
Jan. 24, 2018 (EM) 004678688-0006
Jan. 24, 2018 (EM) 004678688-0007
Jan. 24, 2018 (EM) 004678688-0008
(Continued)

(51) **LOC (13) Cl.** **27-02**
(52) **U.S. Cl.**
USPC **D27/162**
(58) **Field of Classification Search**
USPC D27/162, 100, 101, 163-165, 172, 183,
D27/185-194; D24/110, 110.5; D23/366
(Continued)

(56) **References Cited**
U.S. PATENT DOCUMENTS
D644,375 S ‡ 8/2011 Zhou D27/101
D658,807 S 5/2012 Aboushi
(Continued)

OTHER PUBLICATIONS
U.S. Office Action dated Apr. 1, 2021, issued in corresponding U.S. Appl. No. 29/657,300.
(Continued)

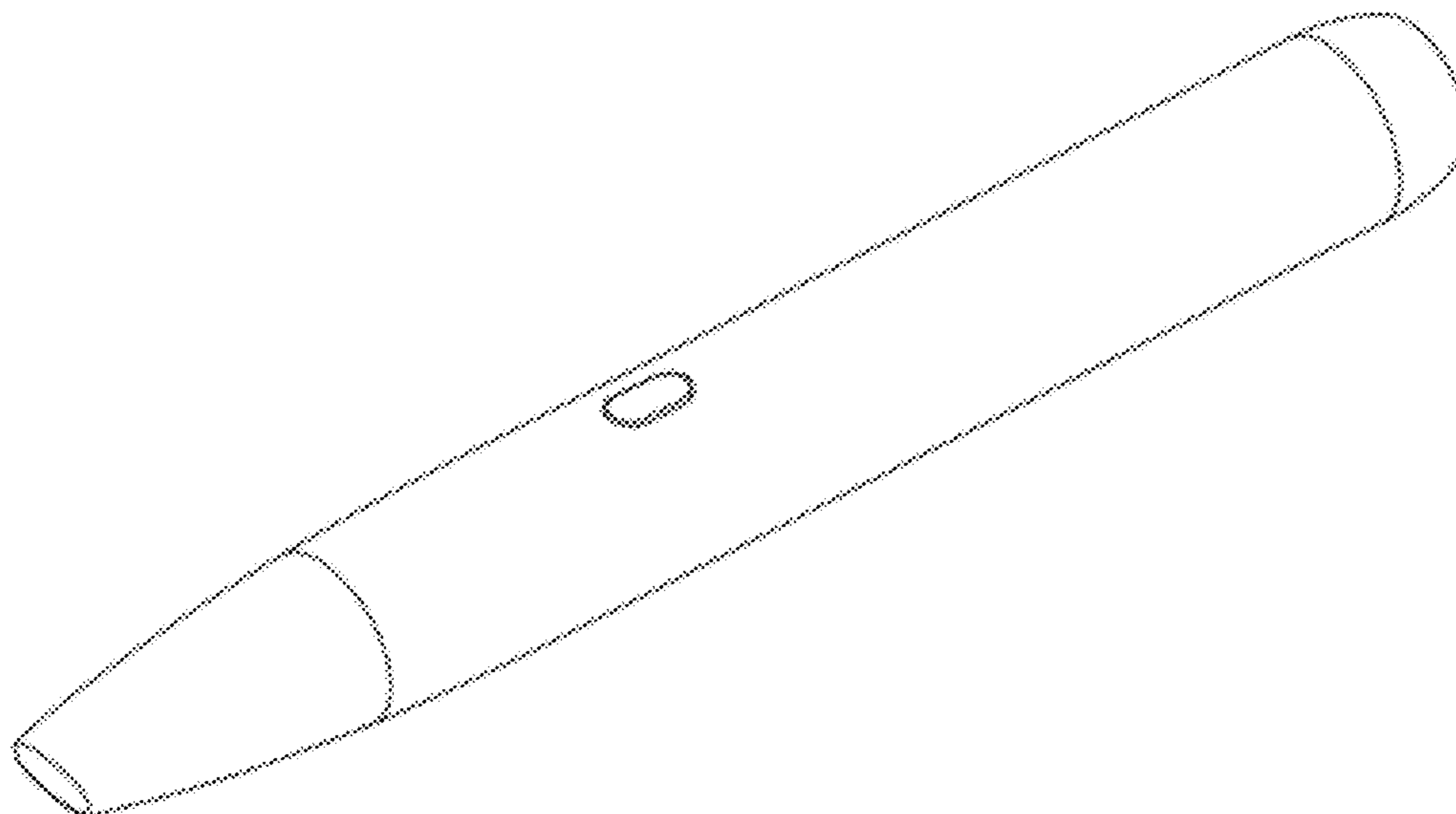
Primary Examiner — Susan Bennett Hattan
Assistant Examiner — Rebecca Tsehaye
(74) *Attorney, Agent, or Firm* — Harness, Dickey & Pierce, P.L.C.

(57) **CLAIM**
The ornamental design for an electronic vaping device, as shown and described.

DESCRIPTION

FIG. 1 is a front-top perspective view of an electronic vaping device;
FIG. 2 is a front view of the electronic vaping device shown in FIG. 1;
FIG. 3 is a rear view of the electronic vaping device shown in FIG. 1;
FIG. 4 is a left side view of the electronic vaping device shown in FIG. 1;
FIG. 5 is a right side view of the electronic vaping device shown in FIG. 1;
FIG. 6 is a top view of the electronic vaping device shown in FIG. 1;
FIG. 7 is a bottom view of the electronic vaping device shown in FIG. 1; and,
FIG. 8 is a rear-bottom perspective view of an electronic vaping device shown in FIG. 1.

1 Claim, 8 Drawing Sheets



(30) Foreign Application Priority Data

Jan. 24, 2018 (EM) 004678688-0009
 Jan. 24, 2018 (EM) 004678688-0010
 Jan. 24, 2018 (EM) 004678688-0011
 Jan. 24, 2018 (EM) 004678688-0012

(58) Field of Classification Search

CPC A24F 47/002; A24F 47/006; A24F 47/008;
 A61M 15/00; A61M 15/06

See application file for complete search history.

(56) References Cited

U.S. PATENT DOCUMENTS

D693,053 S * 11/2013 Chen D27/101
 D695,450 S ‡ 12/2013 Benassayag D24/110.5
 D720,094 S * 12/2014 Alima D27/101
 D720,095 S * 12/2014 Alima D27/163
 D720,496 S * 12/2014 Alima D27/101
 D720,881 S ‡ 1/2015 Liu D27/101
 D720,882 S * 1/2015 Albanese D27/101
 D723,216 S ‡ 2/2015 Chen D27/101
 D761,998 S * 7/2016 Pinder D27/101
 D779,722 S ‡ 2/2017 Volodarsky D27/162
 D782,728 S ‡ 3/2017 Pinder D27/101
 D790,122 S ‡ 6/2017 Hawes D27/101
 D800,383 S ‡ 10/2017 Verleur D27/167
 D802,839 S ‡ 11/2017 Scott
 D805,246 S ‡ 12/2017 Fakhouri D27/101
 D805,684 S ‡ 12/2017 Thuery D27/101
 D809,190 S ‡ 1/2018 Schuler D27/101
 D813,445 S ‡ 3/2018 Scott D27/101
 D813,447 S * 3/2018 Watson D27/162
 D814,694 S ‡ 4/2018 Watson
 D818,636 S * 5/2018 Qiu D27/101
 D818,638 S ‡ 5/2018 Wright et al.
 D822,271 S * 7/2018 Eksouzian D27/101
 D825,099 S ‡ 8/2018 Wright D27/101

D825,103 S ‡ 8/2018 Wright et al.
 D825,844 S * 8/2018 Verleur D27/167
 D829,369 S ‡ 9/2018 Stone
 D829,370 S ‡ 9/2018 Stone
 D829,974 S ‡ 10/2018 Stone
 D829,976 S ‡ 10/2018 Stone
 D847,419 S ‡ 4/2019 Hawes D27/194
 D855,881 S ‡ 8/2019 Hawes D27/194
 D862,793 S ‡ 10/2019 Chang et al.
 D866,064 S ‡ 11/2019 Powell et al.
 D868,360 S ‡ 11/2019 Stone
 D868,363 S ‡ 11/2019 Stone
 D868,364 S ‡ 11/2019 Stone
 D869,747 S ‡ 12/2019 Stone
 D871,662 S ‡ 12/2019 Volodarsky et al.
 D871,665 S * 12/2019 Choe D27/162
 D876,719 S * 2/2020 Vermette D27/162
 D877,409 S ‡ 3/2020 Jiang
 D878,671 S ‡ 3/2020 Stone
 D882,165 S ‡ 4/2020 Ouyang
 D883,566 S * 5/2020 Filleul D27/162
 D889,034 S * 6/2020 Stewart D27/162
 D894,478 S * 8/2020 Fornarelli D27/162
 D913,580 S ‡ 3/2021 Barenboym
 D920,570 S ‡ 5/2021 Laidlaw et al.
 D921,969 S ‡ 6/2021 Simrell

OTHER PUBLICATIONS

U.S. Office Action dated Jun. 4, 2021, issued in corresponding U.S. Appl. No. 29/657,302.
 U.S. Office Action dated Jul. 9, 2021, issued in corresponding U.S. Appl. No. 29/657,300.
 U.S. Office Action dated Nov. 13, 2020, issued in corresponding U.S. Appl. No. 29/657,302.
 U.S. Notice of Allowance dated Oct. 14, 2021, issued in co-pending U.S. Appl. No. 29/657,302.

* cited by examiner
 ‡ imported from a related application

FIG. 1

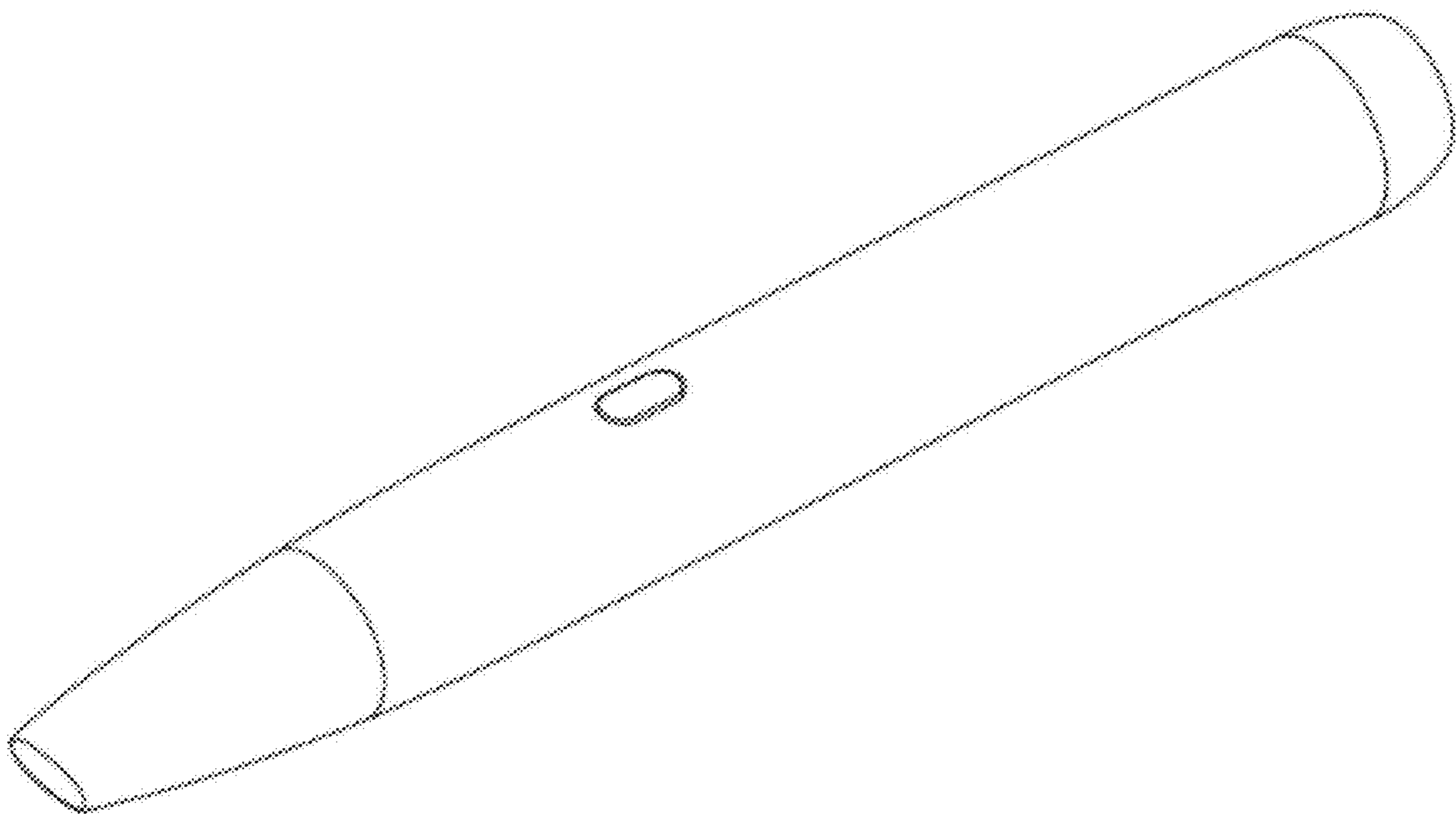


FIG. 2

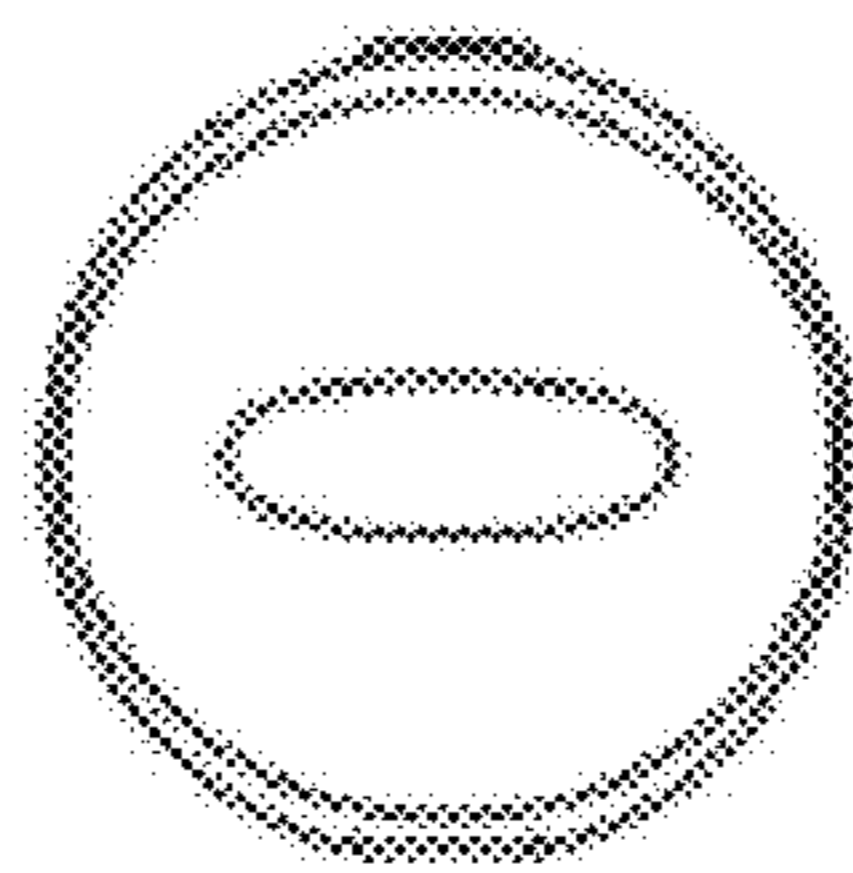


FIG. 3

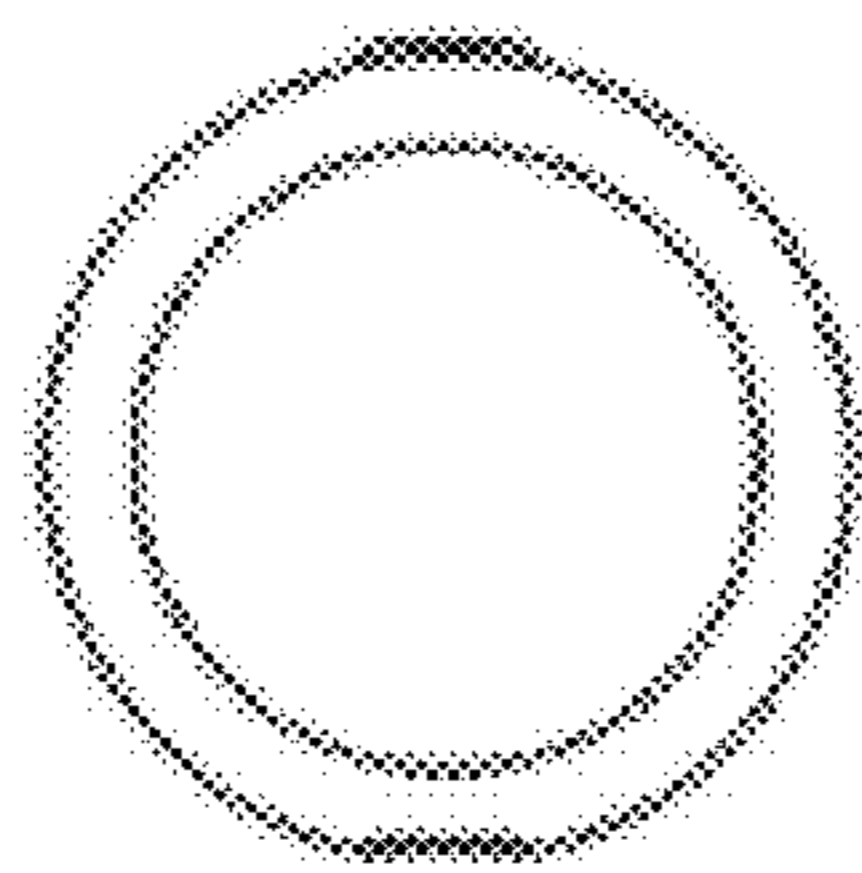


FIG. 4

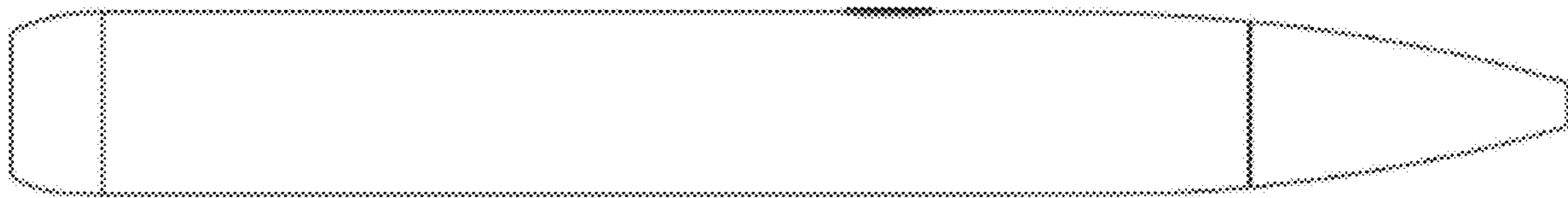


FIG. 5

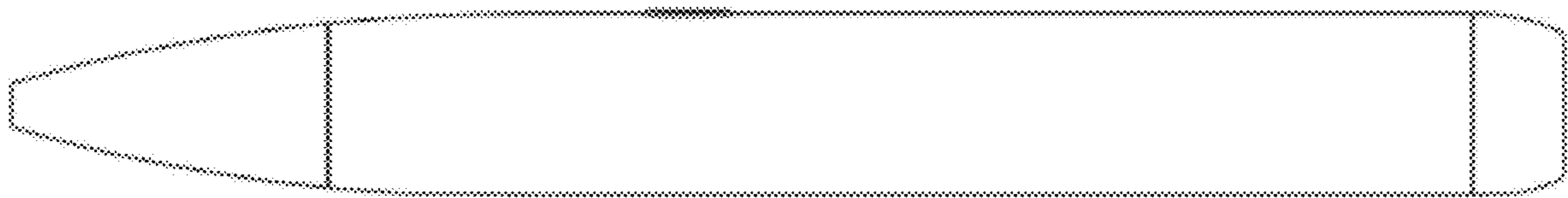


FIG. 6

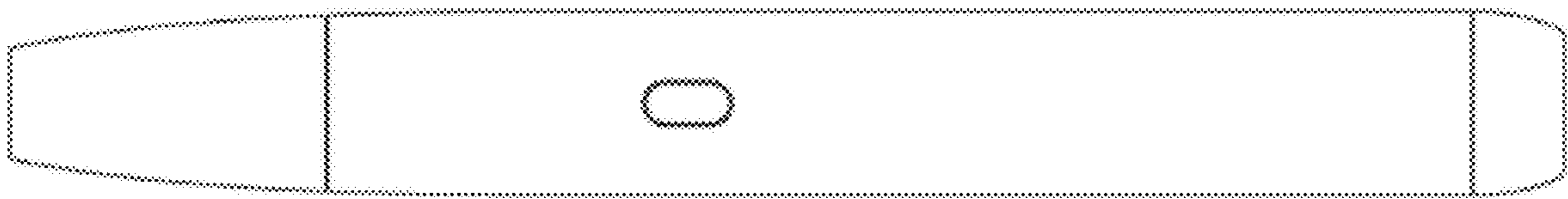


FIG. 7

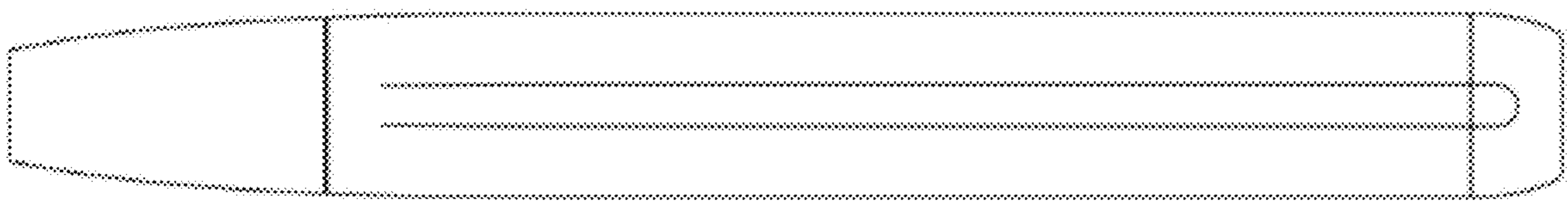


FIG. 8

