



US00D937473S

(12) **United States Design Patent** (10) **Patent No.:** **US D937,473 S**
Qiu et al. (45) **Date of Patent:** **** Nov. 30, 2021**

(54) **ELECTRONIC CIGARETTE**

(71) Applicant: **JOYETECH EUROPE HOLDING GMBH**, Zug (CH)

(72) Inventors: **Weihua Qiu**, Changzhou (CN); **Hao Wang**, Changzhou (CN)

(73) Assignee: **JOYETECH EUROPE HOLDING GMBH**, Zug (CH)

(**) Term: **15 Years**

(21) Appl. No.: **29/704,104**

(22) Filed: **Sep. 1, 2019**

(30) **Foreign Application Priority Data**

Mar. 1, 2019 (CN) 201930083225.1

(51) **LOC (13) Cl.** **27-02**

(52) **U.S. Cl.**
USPC **D27/162**

(58) **Field of Classification Search**

USPC D27/100, 101, 162, 163, 164, 170, 171,
D27/172, 173, 174, 180, 181, 182, 183,
(Continued)

(56) **References Cited**

U.S. PATENT DOCUMENTS

D655,036 S * 2/2012 Zhou D27/101
D683,897 S * 6/2013 Liu D27/170
(Continued)

FOREIGN PATENT DOCUMENTS

CN 201930083225.1 * 2/2020
KR 3020150015862 * 10/2015
(Continued)

OTHER PUBLICATIONS

Kandypens Crystal 2 Review. By Dave Kriegel, vaping360.com. Dated Nov. 6, 2020. Found online [Dec. 7, 2020]. <https://vaping360.com/reviews/kandypens-crystal-2-review/> (Year: 2020).*

(Continued)

Primary Examiner — Marissa J Cash

Assistant Examiner — William B Melliar

(74) *Attorney, Agent, or Firm* — Cheng-Ju Chiang

(57) **CLAIM**

The ornamental design for an electronic cigarette, as shown and described.

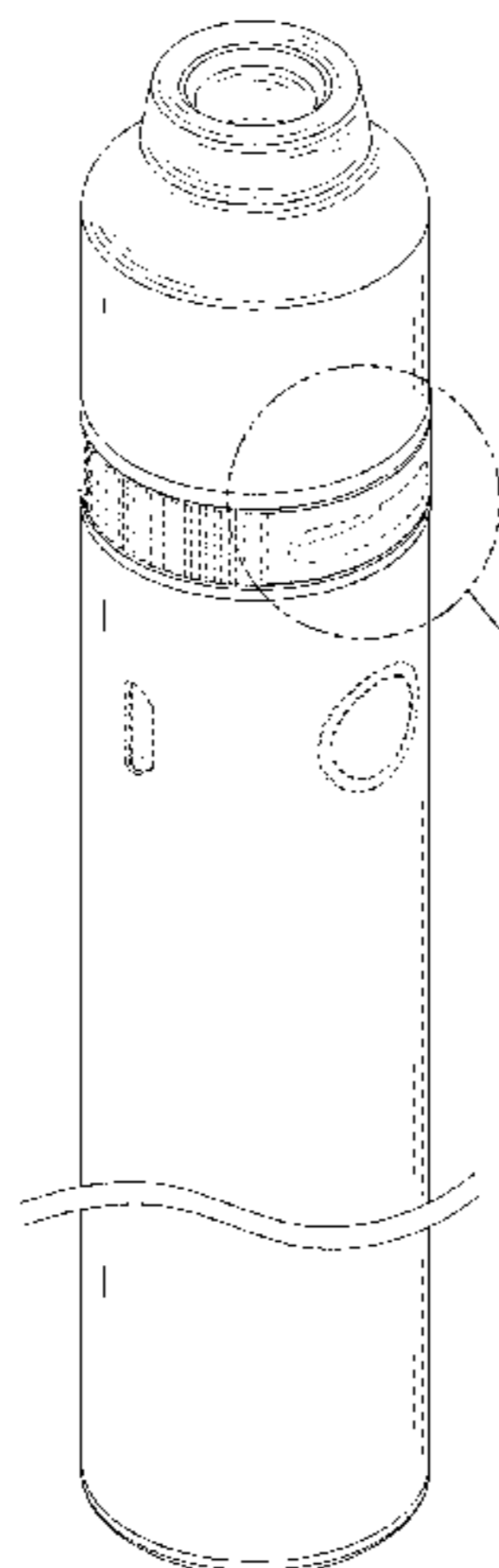
DESCRIPTION

FIG. 1 is a top, left front perspective view of an electronic cigarette showing our new design;
FIG. 2 is a bottom, right back perspective view thereof;
FIG. 3 is a front view thereof;
FIG. 4 is a rear view thereof;
FIG. 5 is a left-side view thereof;
FIG. 6 is a right-side view thereof;
FIG. 7 is a top view thereof;
FIG. 8 is a bottom view thereof;
FIG. 9 is an enlarged view of the portion 9 shown in FIG. 1;
FIG. 10 is an enlarged cross section taken along the lines 10-10 of FIG. 3; and,
FIG. 11 is an enlarged view of the portion 11 shown in FIG. 5.

The evenly spaced broken lines immediately adjacent the shaded areas represent the bounds of the claimed design while all other broken lines are directed to portions of the electronic cigarette and form no part of the claimed design. The additional dot-dot-dash lines in FIGS. 1 and 5 and surrounding detail views in FIGS. 9 and 11 are for annotative purposes only and form no part thereof.

The electronic cigarette is shown with a symbolic break in its length. The appearance of any portion of the article between the break lines forms no part of the claimed design.

1 Claim, 7 Drawing Sheets



(58) **Field of Classification Search**

USPC D27/184, 190, 191, 192, 193, 165, 166,
D27/167, 168, 169, 175, 176, 177, 178,
D27/179, 185, 186, 187, 188, 189;
D24/110, 110.2, 110.5, 110.6; D28/91.1;
D19/115, 116, 117, 118, 119, 120, 130,
D19/50, 170, 174, 66
CPC A24F 47/008; A24F 40/10; A24F 40/40;
A24F 40/42; A24F 40/46; A24F 47/00;
A24F 40/44; A24F 40/50; A24F 40/90;
A24F 40/485; A24F 40/70; A24F 40/60;
A24F 47/002; A24F 40/48; A24F 40/51;
A24F 40/53; A24F 40/57; A24F 40/65;
A24F 7/00; A24F 40/20; A24F 40/05;
A24F 40/30; A24F 7/02; A24F 7/04;
A24F 15/015; A24F 1/32; A24F 40/00;
A24F 40/49; A24F 40/85; A24F 40/95;
A24F 40/465; A24F 1/00; A24F 1/02;
A24F 47/004; A24F 42/20; A24F 42/60;
A24F 15/01; A24F 9/16; A61M 11/042;
A61M 15/06; A61M 2205/8206; A61M
2205/3653; A61M 2016/0024; A61M
11/005; A61M 2016/0027; A61M
2205/587; A61M 11/003; A61M 11/044;
A61M 15/002; A61M 15/0085; A61M
15/0021; A61M 2016/0018; A61M
2016/0021; A61M 2021/0016; A61M
2205/8268; A61M 2209/02; A61M
11/041; A61M 15/0025; A61M 15/008;
A61M 2016/0033; A61M 2016/0039;
A61M 21/00; A61M 2205/0211; A61M
2205/3331; A61M 2205/3334; A61M
2209/045; A61M 35/25; A61M 11/00;
A61M 11/002; A61M 11/006; A61M
11/007; A61M 11/06; A61M 15/00;
A61M 15/0028; A61M 15/0065; A61M
15/0066; A61M 15/0091; A61M 15/0095;
A61M 16/06; A61M 2016/0036; A61M
2202/0007; A61M 2202/0468; A61M
2205/0238; A61M 2205/0288; A61M
2205/07; A61M 2205/103; A61M
2205/12; A61M 2205/18; A61M
2205/3317; A61M 2205/3327; A61M
2205/3337; A61M 2205/3372; A61M
2209/10; A61M 2210/04; A61M
2210/0612; A61M 2230/42; A61M
2240/00; A61M 35/30; A61M 39/24;
A61M 16/0003; A61M 2205/3368; A61M
2205/8256; A61M 1/001; A61M 11/04;
A61M 2205/3379; A61M 2205/52; A61M
2205/58; A61M 2205/583; A61M
2205/6018; A61M 2205/6054; A61M
2205/75; A61M 2206/11; A61M 2206/20;
A61M 11/02; A61M 2205/42; A61M
35/003; A61M 2205/3375; A61M
2205/3569; A61M 2205/3592; A61M
2205/50; A61M 2205/581; A61M

2205/6009; A61M 2205/8243; A61M
2205/8262; A61M 2206/16; A61M
2207/00; A61M 2209/086; A61M
15/0001; A24B 15/167; A24B 15/16;
A24B 15/18; A24B 15/303; A24B
15/308; A24B 15/34

See application file for complete search history.

(56)

References Cited

U.S. PATENT DOCUMENTS

D684,311	S	*	6/2013	Liu	D27/101
D695,450	S	*	12/2013	Benassayag	D27/163
D720,095	S	*	12/2014	Alima	D27/163
D720,497	S	*	12/2014	Alima	D27/101
D720,499	S	*	12/2014	Alima	D27/167
D722,956	S	*	2/2015	Alima	D13/108
D724,264	S	*	3/2015	Chambers	D27/101
D774,452	S	*	12/2016	Rost	D13/103
D776,867	S	*	1/2017	Rado	D27/162
D776,868	S	*	1/2017	Rado	D27/162
D778,492	S	*	2/2017	Liu	D27/101
D799,745	S	*	10/2017	Qiu	D27/101
D805,248	S	*	12/2017	Chen	D27/170
D806,942	S	*	1/2018	Qiu	D27/101
D813,447	S	*	3/2018	Watson	D27/162
D846,492	S	*	4/2019	Verleur	D13/103
D851,827	S	*	6/2019	Clark	D27/162
D874,721	S	*	2/2020	Lai	D27/167
D878,672	S	*	3/2020	Beer	D27/162
D882,165	S	*	4/2020	Ouyang	D27/162
D899,677	S	*	10/2020	Liu	D27/162
D901,068	S	*	11/2020	Stone	D27/101
D907,287	S	*	1/2021	Wang	D27/162
D908,954	S	*	1/2021	Chen	D27/162
D910,233	S	*	2/2021	Grimm	D27/162
2019/0098932	A1	*	4/2019	Fan	A24F 47/008
2019/0168246	A1	*	6/2019	Tao	B05B 11/3094
2019/0350263	A1	*	11/2019	Qiu	A24F 40/42
2019/0357593	A1	*	11/2019	Chau	A24D 1/14

FOREIGN PATENT DOCUMENTS

KR	3020150017148	*	10/2015
KR	3020180060622	*	7/2019

OTHER PUBLICATIONS

EF420 Vertex Vape Pen. By Everything for 420. Dated May 5, 2019. Found online [Dec. 7, 2020]. <https://everythingfor420.com/collections/dab-pens/products/vertex-vape-pen> (Year: 2019).*

Kandypens Prism vs. Prism plus Review. By Thomas Gregorich, vapor.com. Dated Aug. 29, 2017. Found online [Dec. 7, 2020]. <https://www.vapor.com/blogs/blog/kandypens-prism-review> (Year: 2017).*

SMOK Vape Pen 22 Starter Kit. By SMOK. Dated Sep. 9, 2016. Found online [Dec. 7, 2020]. <https://www.elementvape.com/smok-vape-pen-22-starter-kit> (Year: 2016).*

Glass Pen. By Eleafworld. Dated Sep. 29, 2020. Found online [Dec. 7, 2020]. <https://www.eleafworld.com/glass-pen/>(Year: 2020).*

* cited by examiner

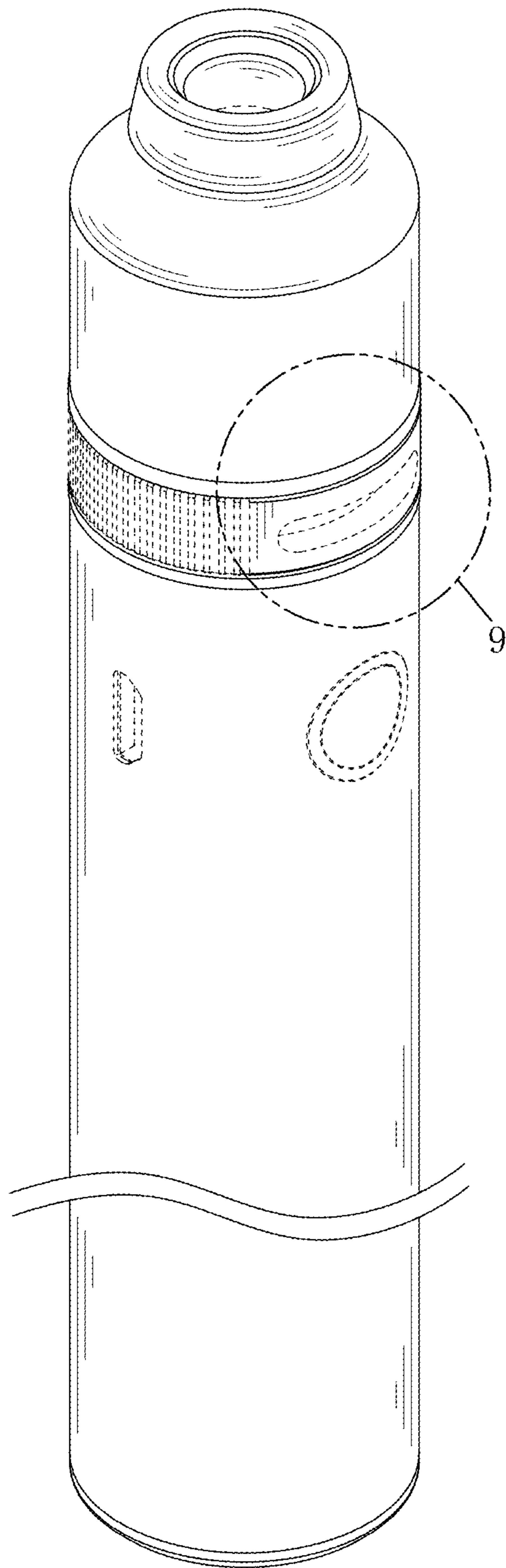


FIG. 1

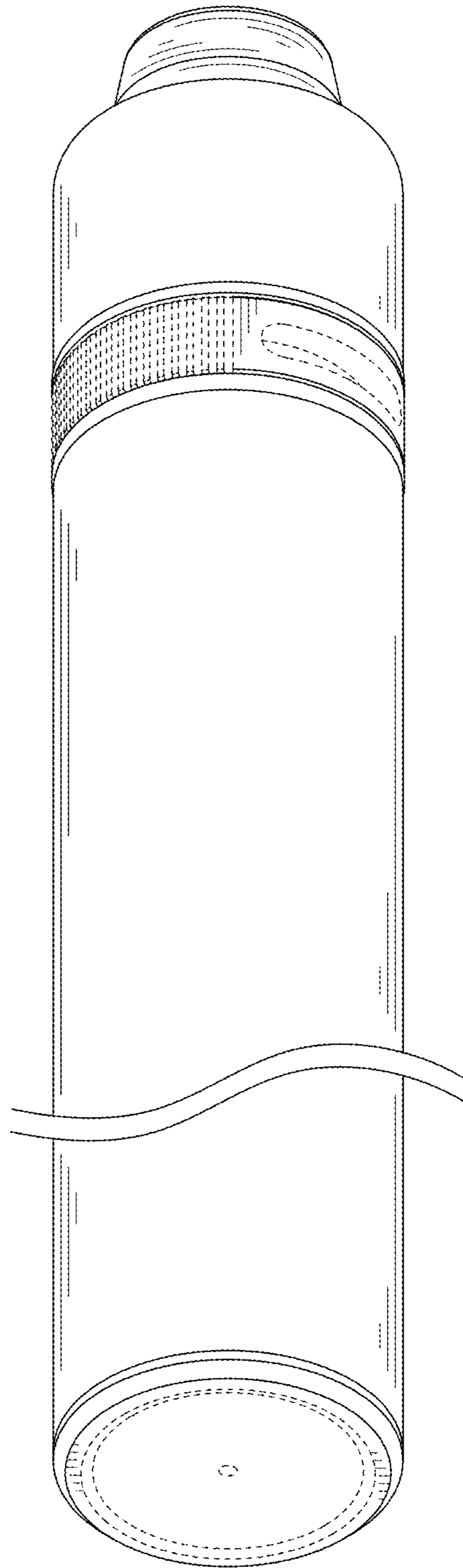


FIG. 2

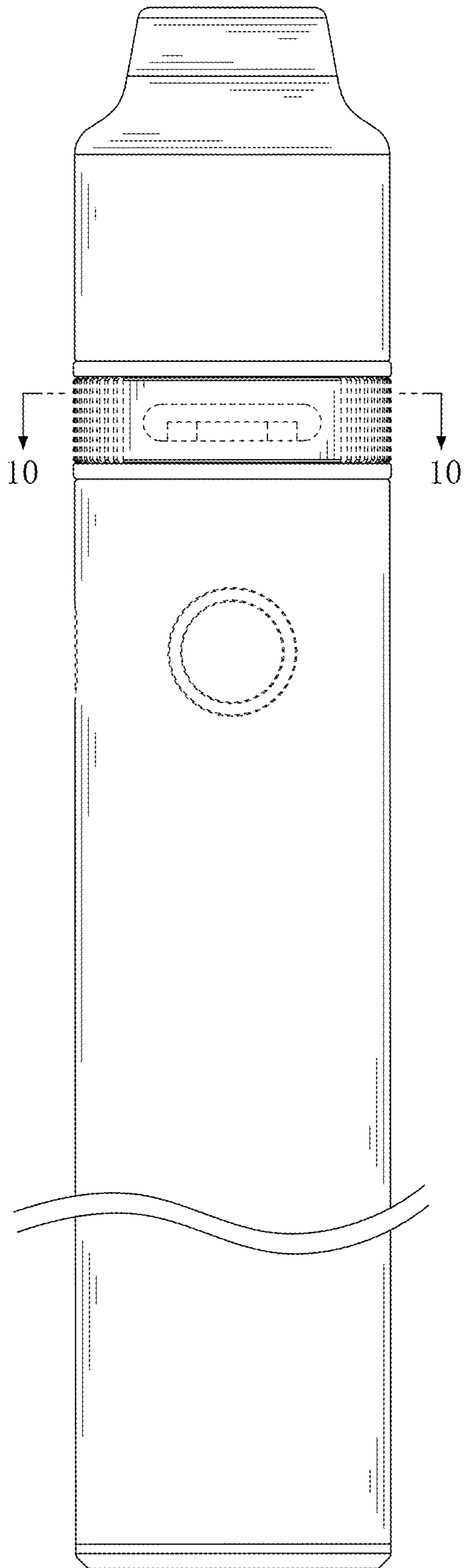


FIG. 3

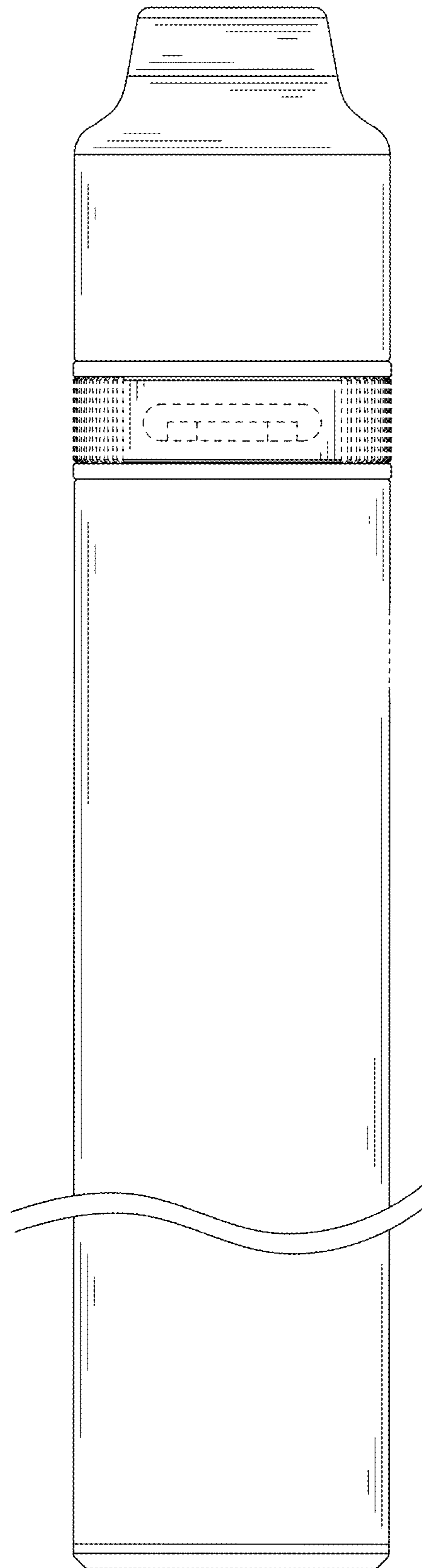


FIG. 4

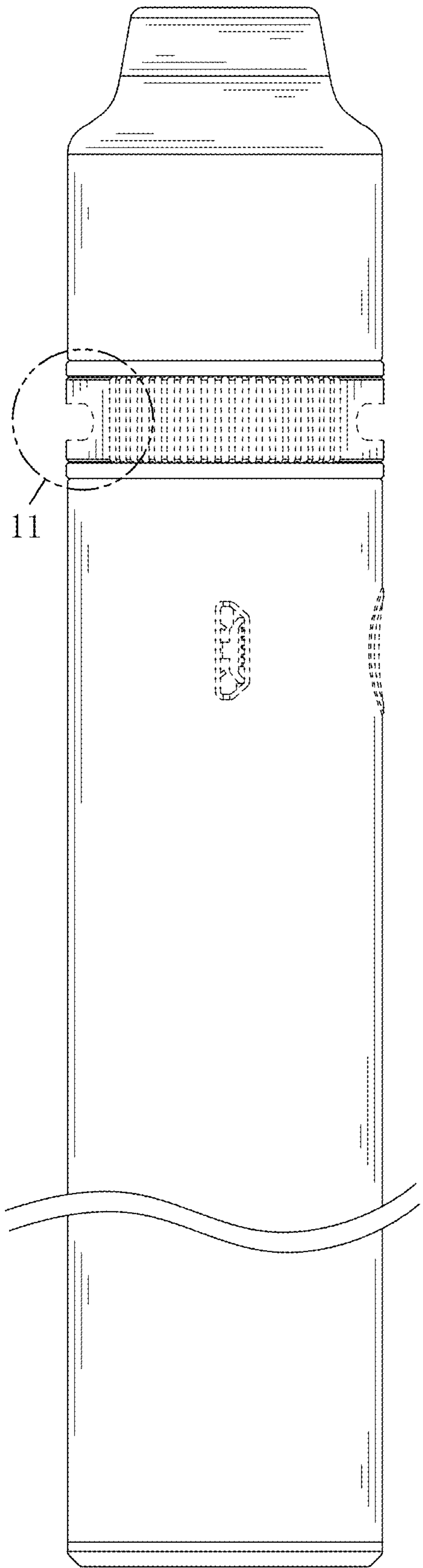


FIG. 5

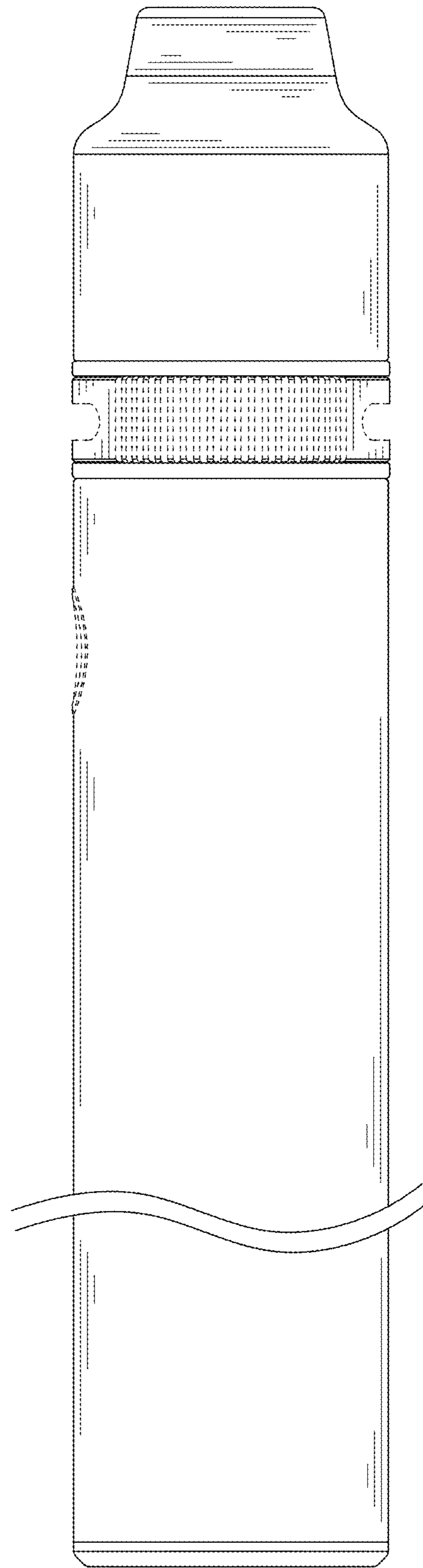


FIG. 6

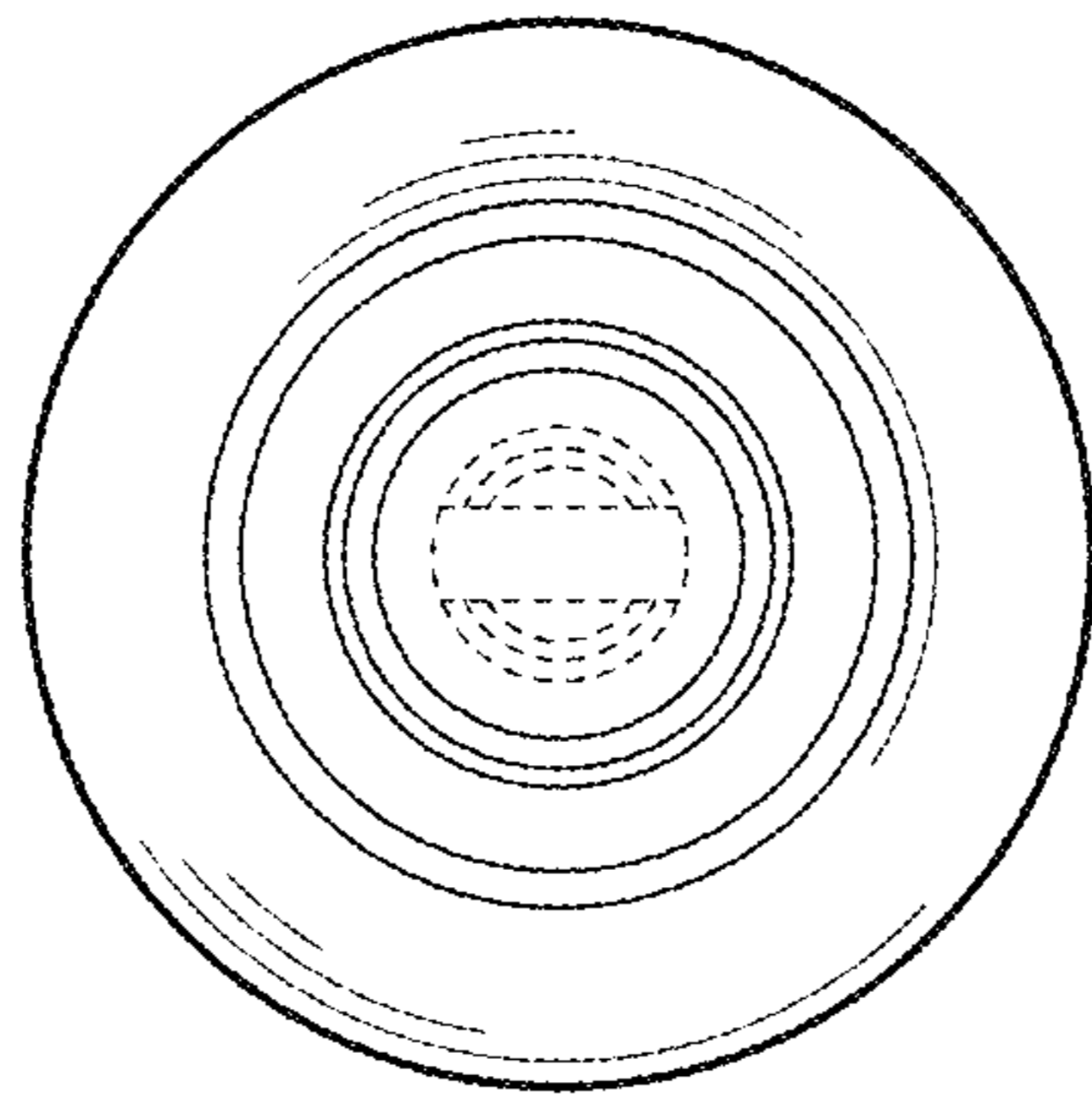


FIG. 7

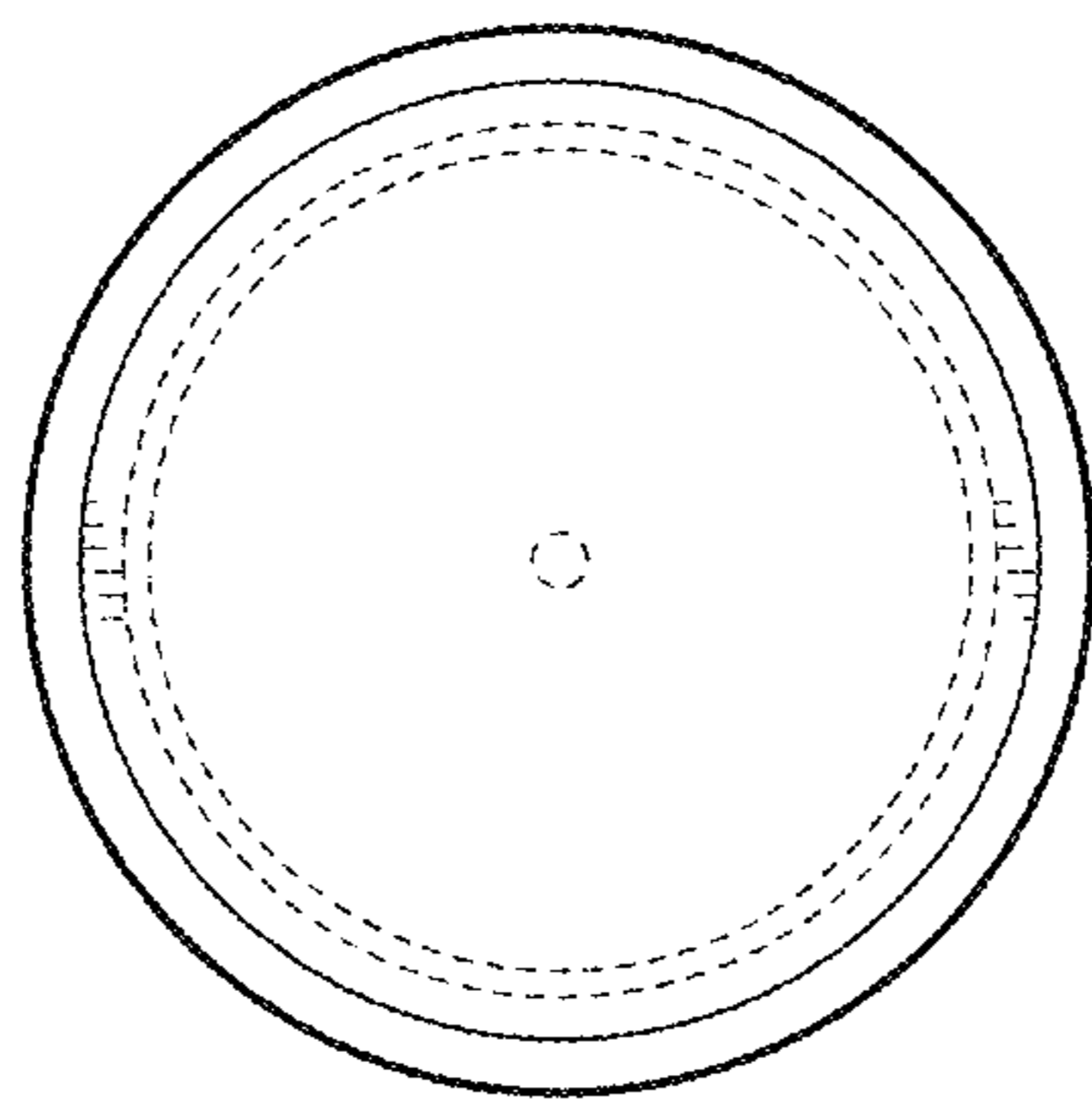


FIG. 8

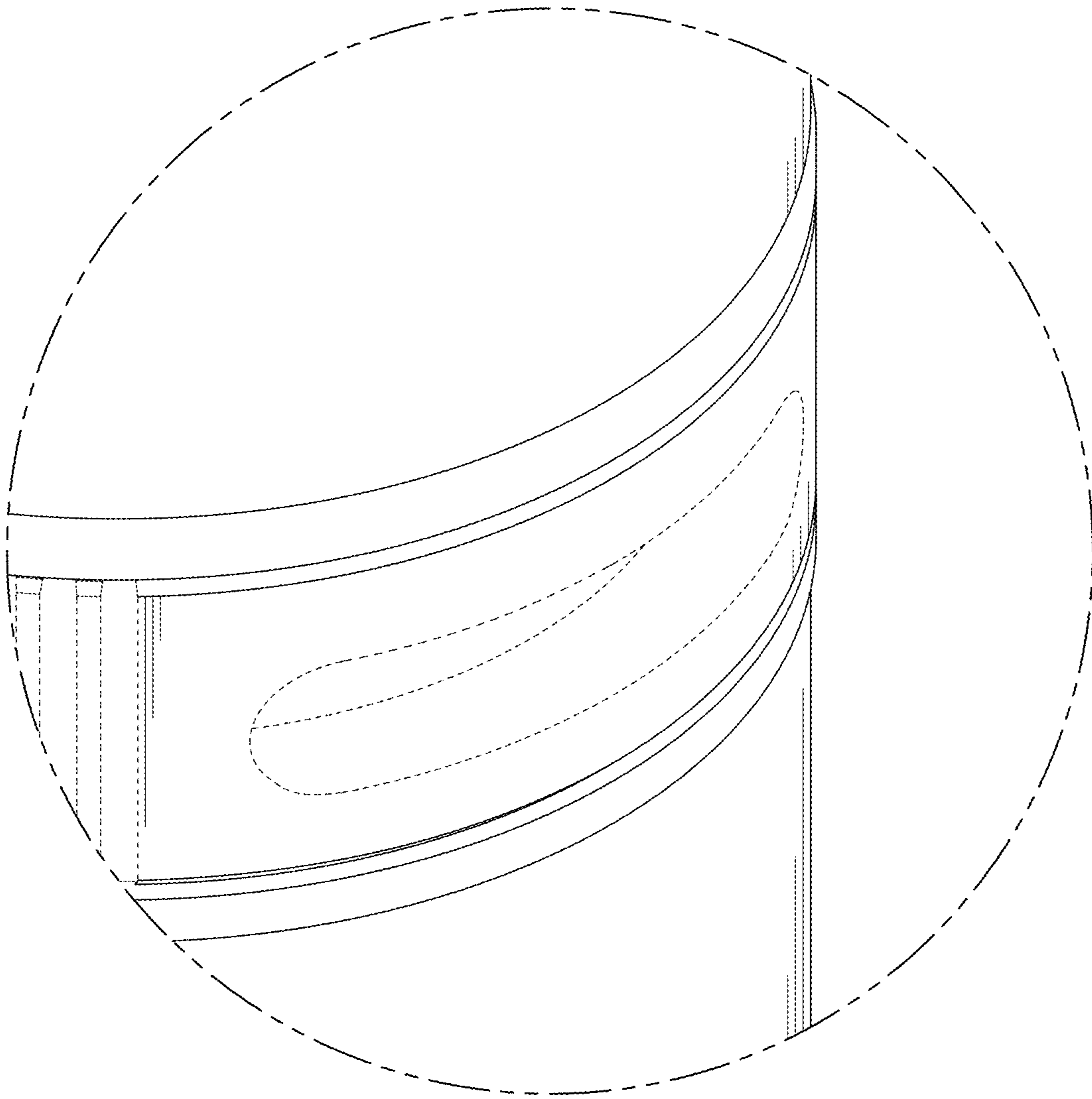


FIG. 9

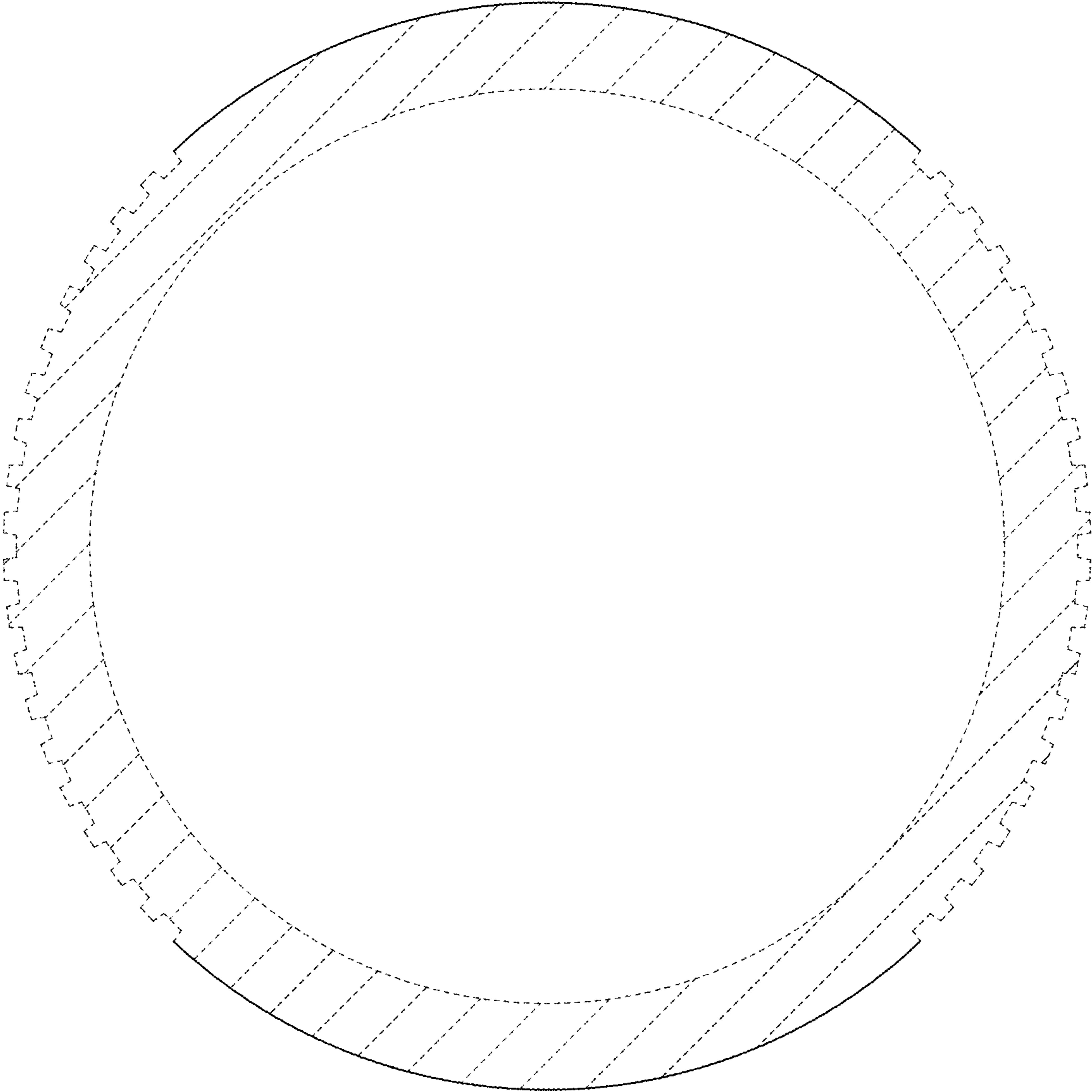


FIG. 10

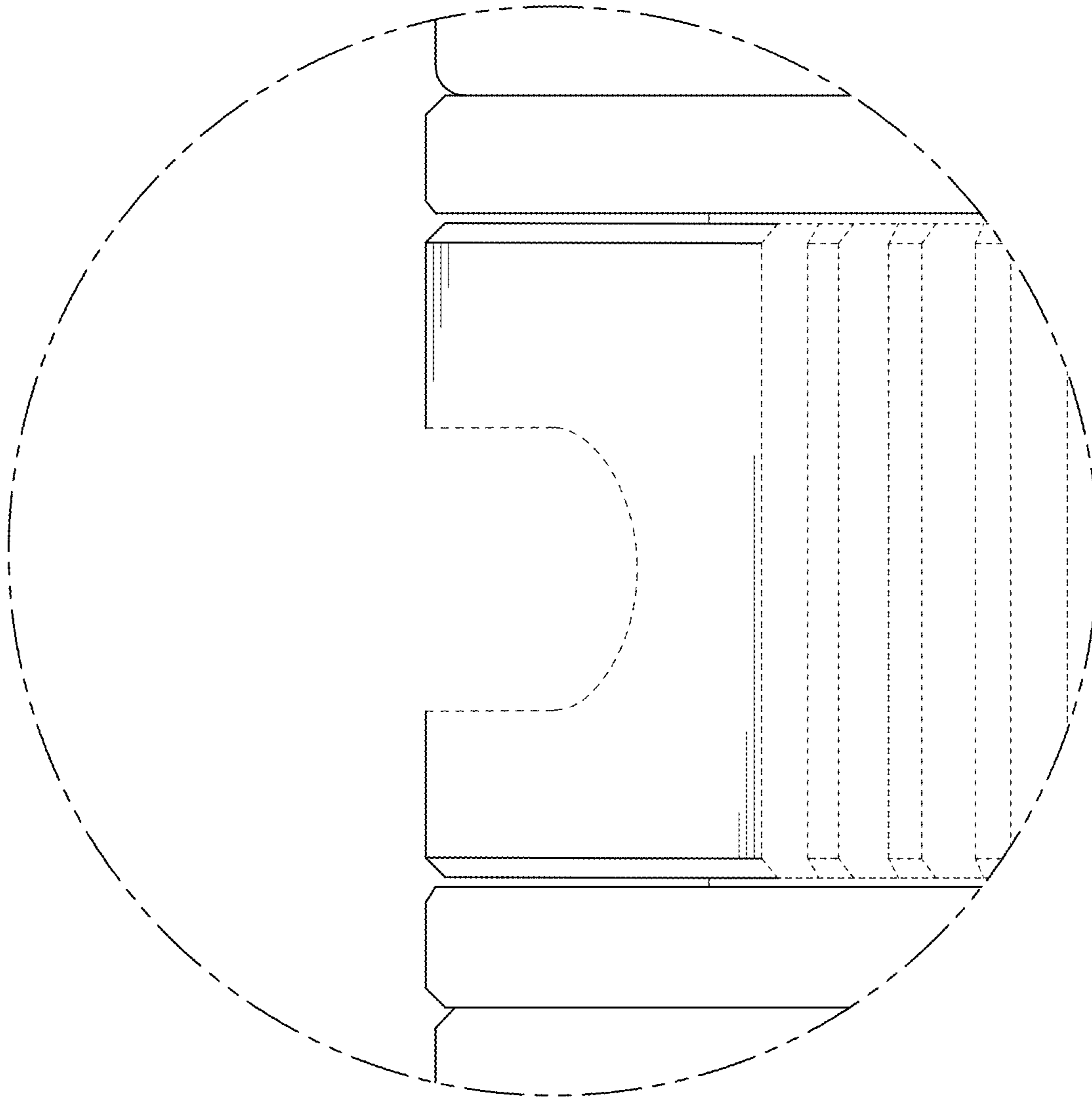


FIG. 11