



US00D937467S

(12) **United States Design Patent**  
**Chen**

(10) **Patent No.:** **US D937,467 S**

(45) **Date of Patent:** **\*\* Nov. 30, 2021**

(54) **SOLAR WALL LIGHT**

(71) Applicant: **Junqing Chen**, Guangdong (CN)

(72) Inventor: **Junqing Chen**, Guangdong (CN)

(73) Assignee: **Shenzhen Jinge Electronic Plastic Co., Ltd.**, Guangdong (CN)

(\*\*) Term: **15 Years**

(21) Appl. No.: **29/704,472**

(22) Filed: **Sep. 5, 2019**

(51) **LOC (13) Cl.** ..... **26-03**

(52) **U.S. Cl.**

USPC ..... **D26/85**

(58) **Field of Classification Search**

USPC ..... D26/72, 80, 85-87, 89, 118; D10/106.6, D10/106.8

CPC .. F21S 8/033; F21S 8/035; F21S 8/036; F21S 8/046; G08B 13/193

See application file for complete search history.

(56) **References Cited**

**U.S. PATENT DOCUMENTS**

D44,186 S *	6/1913	Schepmoes	.....	D26/85
D100,978 S *	8/1936	Wright	.....	D27/142
D169,960 S *	7/1953	Brill et al.	.....	D23/366
D187,082 S *	1/1960	Parker, Jr.	.....	D26/85
D197,530 S *	2/1964	Jaffe, Jr.	.....	D26/85
D309,791 S *	8/1990	Boccatto	.....	D26/85
D380,572 S *	7/1997	Bodell	.....	D26/85
D402,074 S *	12/1998	Crosby	.....	D26/85
D589,200 S *	3/2009	Sabernig	.....	D26/85

D620,181 S *	7/2010	Sanoner	.....	D26/85
D865,264 S *	10/2019	Wu	.....	D26/85
D889,018 S *	6/2020	Liu	.....	D26/85
D896,427 S *	9/2020	Liu	.....	D26/85

**OTHER PUBLICATIONS**

Brass Wall Sconces, Shield Shaped circa 1939, Reference No. LU97152251732 from 1stdibs.com. (Year: 1939).\*

Flat wall sconce with opal glass in shield shape by Collectie Art Déco, Item No. CL2961 from casalumi.de visited Jul. 27, 2021. (Year: 2021).\*

Applique WL 3469 Flat wall luminaire made of wrought iron by Robers Leuchten, Item No. CL439 from casalumi.com visited Jul. 27, 2021. (Year: 2021).\*

\* cited by examiner

*Primary Examiner* — Clare E Heflin

(57) **CLAIM**

I claim the ornamental design for a solar wall light, as shown and described.

**DESCRIPTION**

FIG. 1 is a perspective view of a solar wall light showing my new design;

FIG. 2 is a front elevational view thereof;

FIG. 3 is a rear elevational view thereof;

FIG. 4 is a left side elevational view thereof;

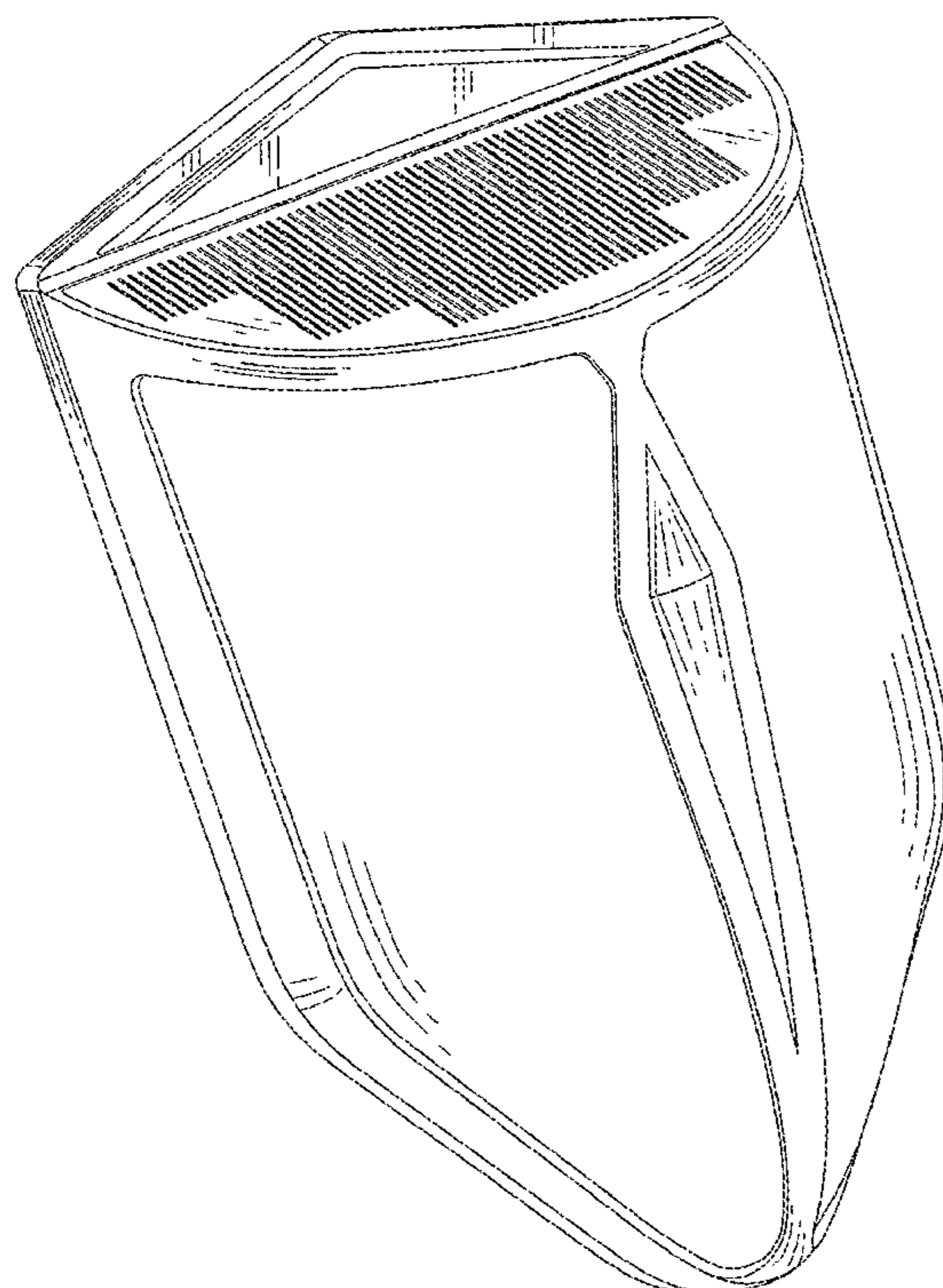
FIG. 5 is a right side elevational view thereof;

FIG. 6 is a top plan view thereof;

FIG. 7 is a bottom plan view thereof; and,

FIG. 8 is a rear perspective view thereof.

**1 Claim, 8 Drawing Sheets**



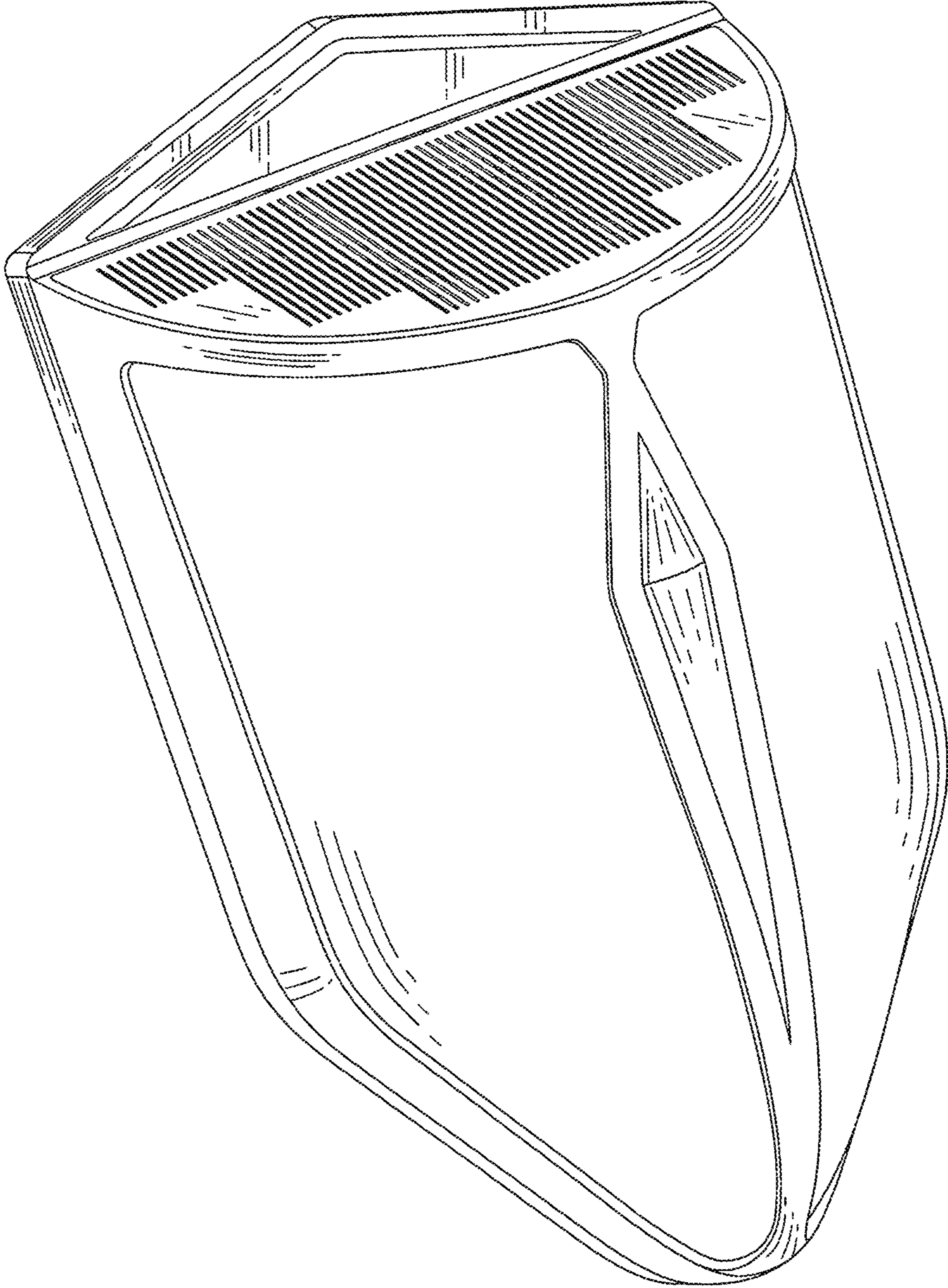


FIG. 1

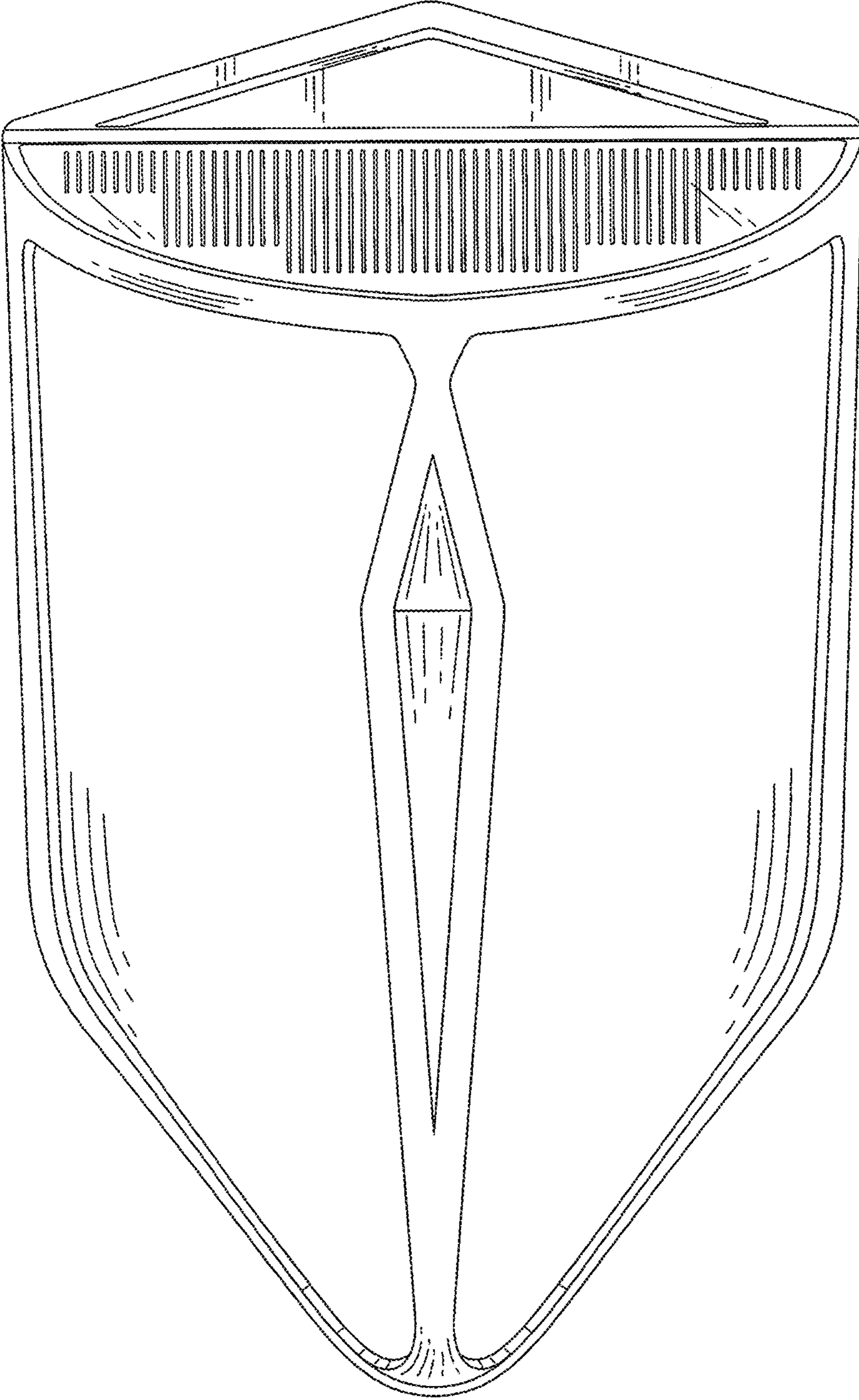


FIG. 2

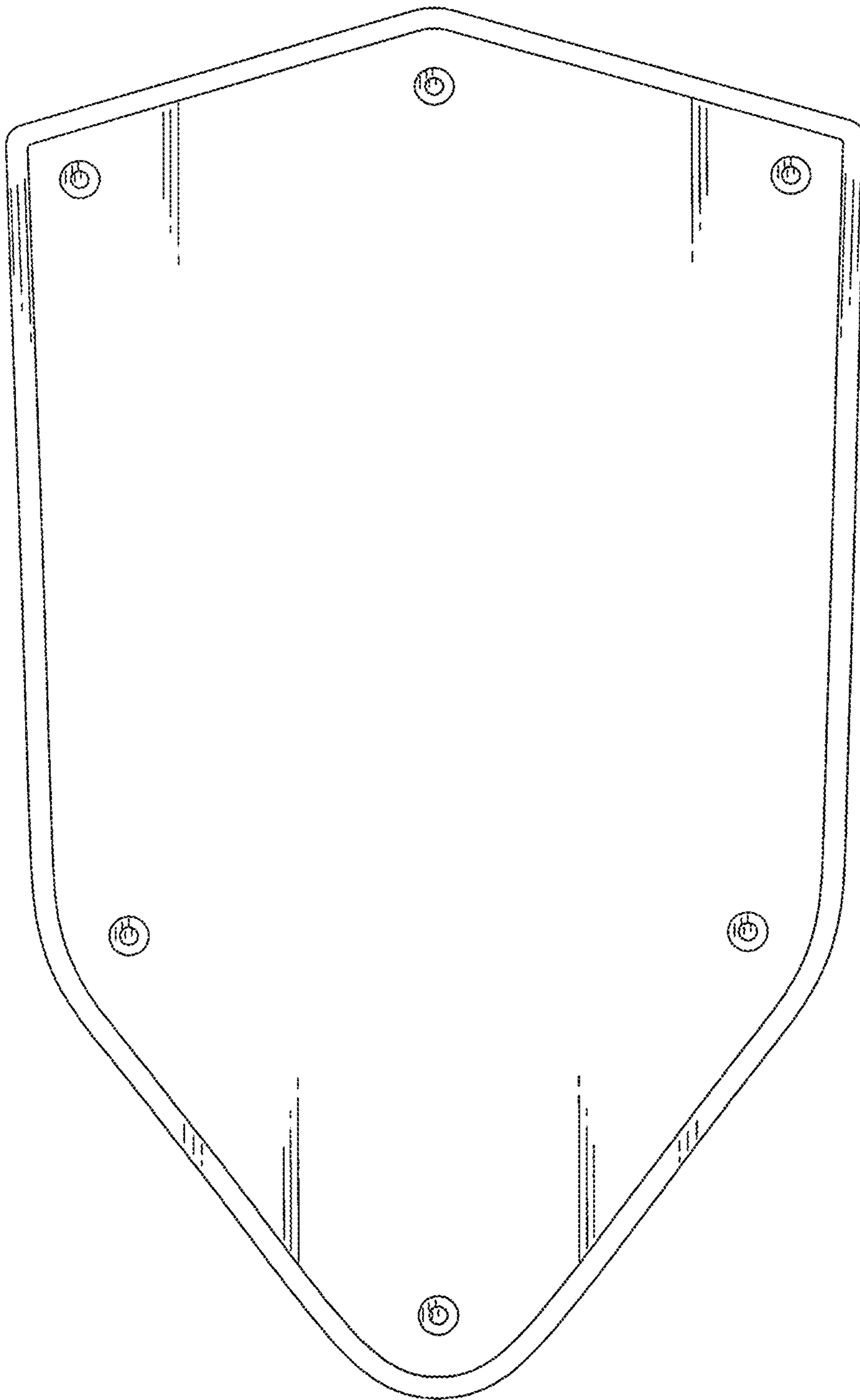


FIG. 3

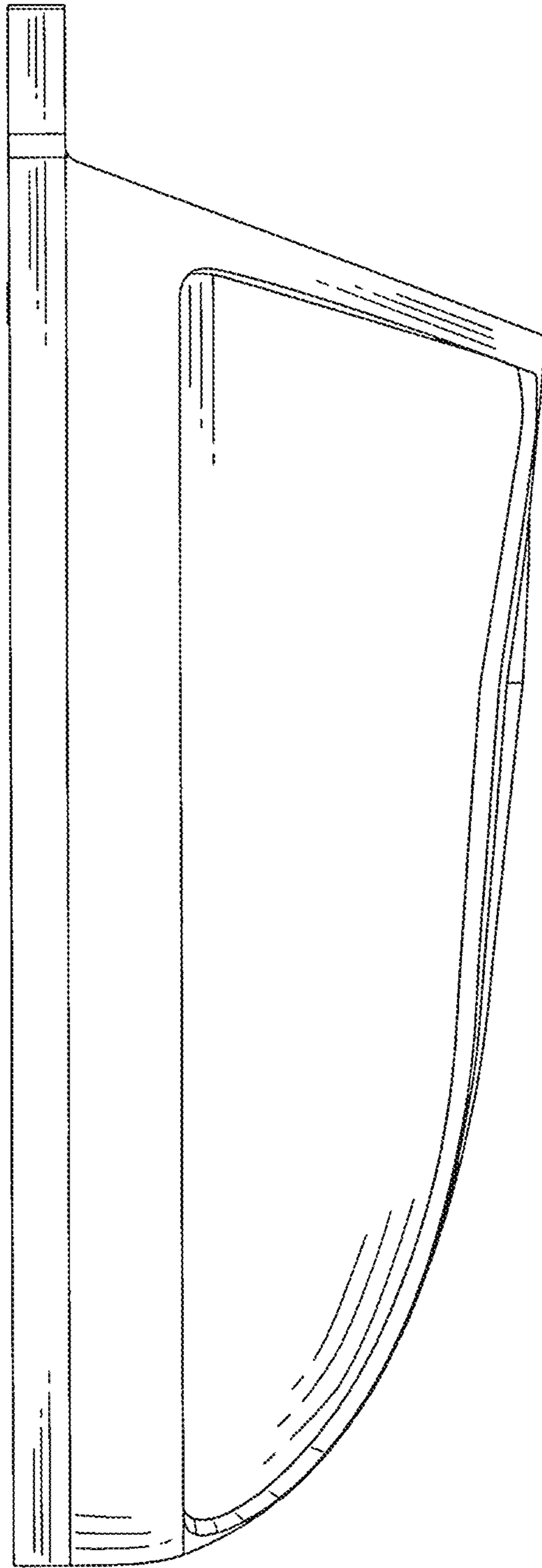


FIG. 4

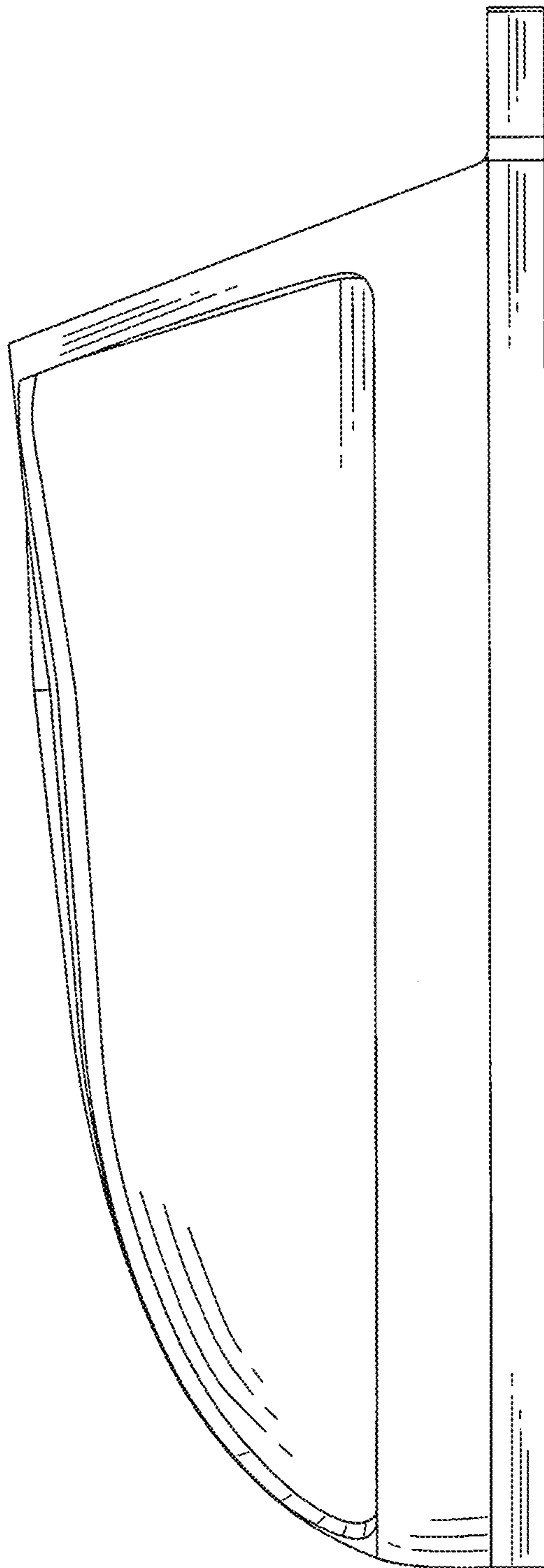


FIG. 5

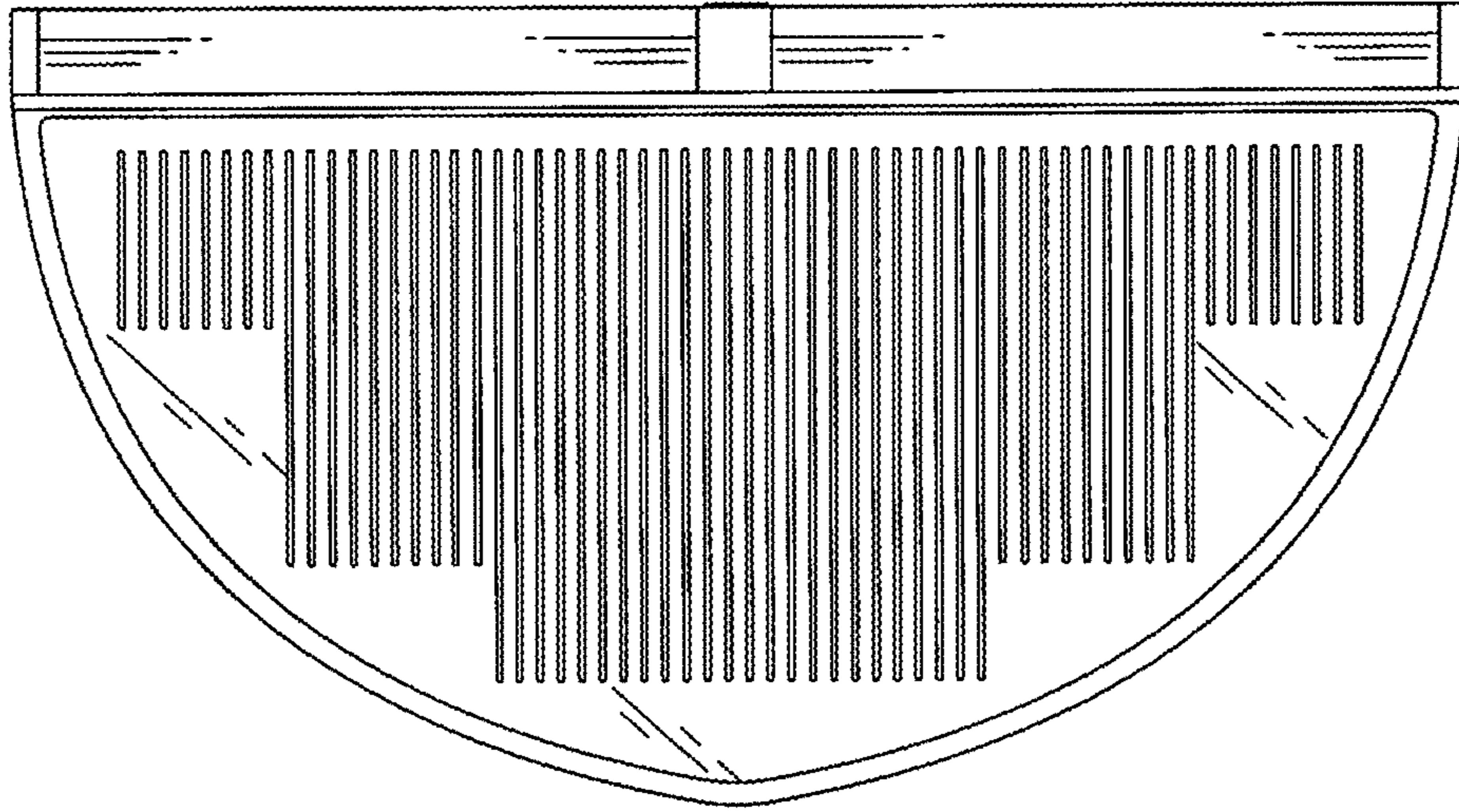


FIG. 6

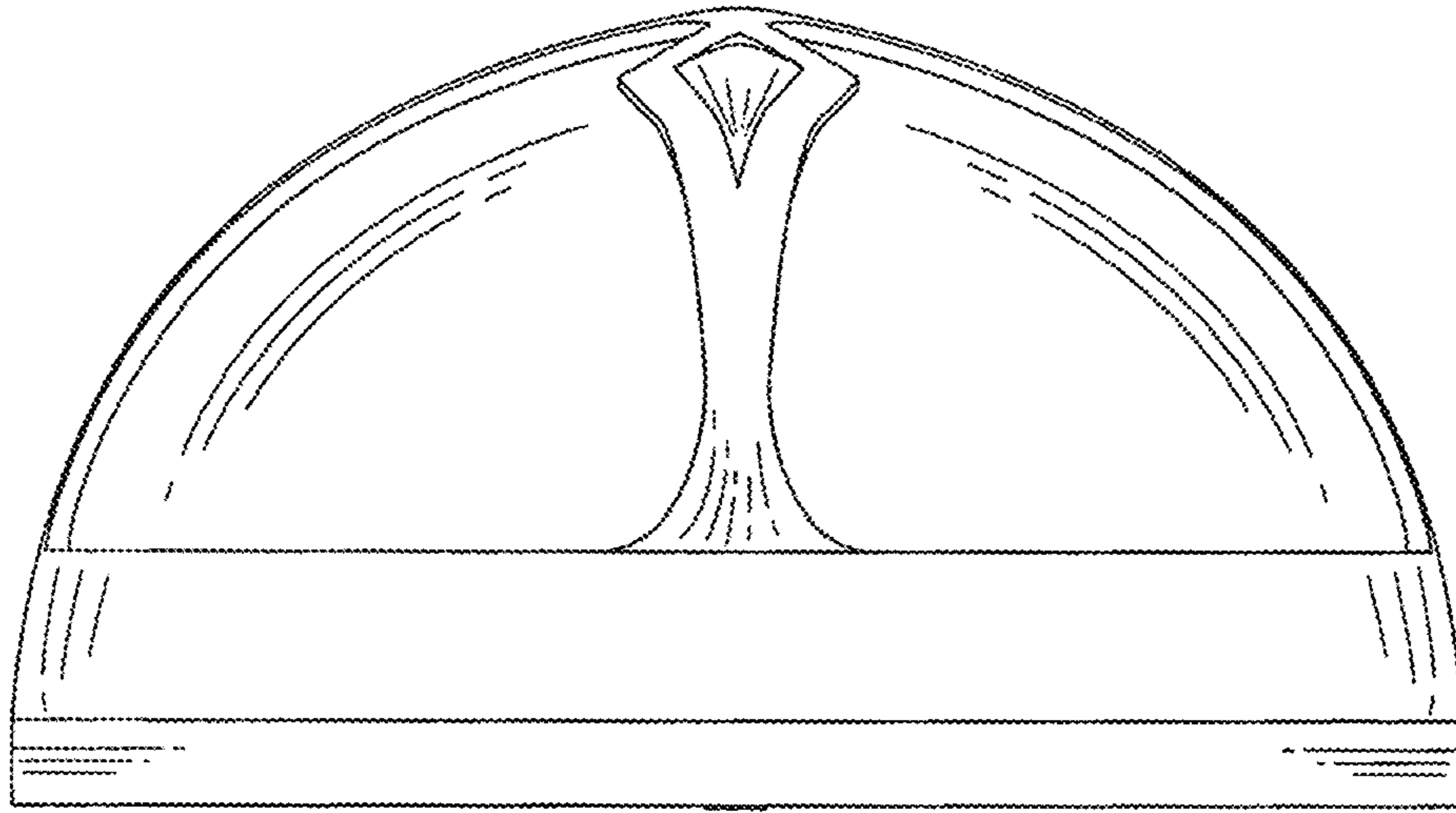


FIG. 7



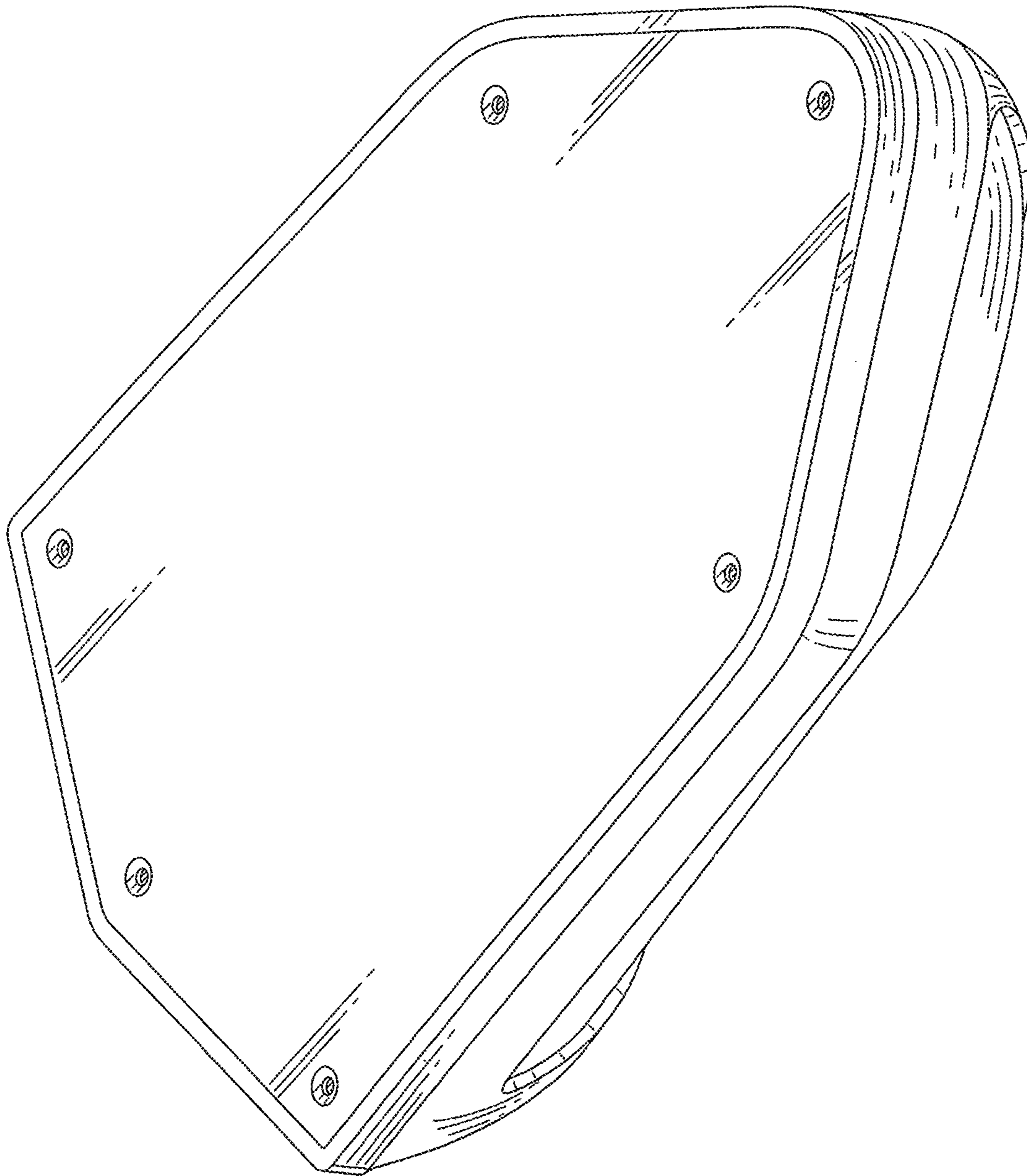


FIG. 8