



US00D937465S

(12) **United States Design Patent** (10) **Patent No.:** **US D937,465 S**  
**Qi** (45) **Date of Patent:** **\*\* Nov. 30, 2021**

(54) **LED FLUORESCENT LAMP**

FOREIGN PATENT DOCUMENTS

(71) Applicant: **Yulong Qi**, Hubei (CN)

GB 9008206858-0001 \* 10/2020 ..... 26/4

(72) Inventor: **Yulong Qi**, Hubei (CN)

OTHER PUBLICATIONS

(\*\*) Term: **15 Years**

Amazon, "Fulight Easy-Installing T8 LED Tube Light", first available Aug. 1, 2014. (<https://www.amazon.com/Fulight-Easy-Installing-Double-End-Fluorescent-Replacement/dp/B00SOJHSS6>) (Year: 2014).\*

(21) Appl. No.: **29/769,014**

(Continued)

(22) Filed: **Feb. 2, 2021**

(30) **Foreign Application Priority Data**

*Primary Examiner* — Lauren D McVey

*Assistant Examiner* — Justin A Johnson

Oct. 19, 2020 (EM) ..... 008206858-0001

(74) *Attorney, Agent, or Firm* — ScienBiziP, P.C.

(51) **LOC (13) Cl.** ..... **26-04**

(57) **CLAIM**

(52) **U.S. Cl.**  
USPC ..... **D26/76**

The ornamental design for a LED fluorescent lamp, as shown and described.

(58) **Field of Classification Search**  
USPC ..... D26/1, 2, 3, 24, 76, 93  
CPC . F21L 2/00; F21S 2/00; F21Y 2115/00; F21Y 2115/20

**DESCRIPTION**

See application file for complete search history.

FIG. 1 is a front, left, and bottom perspective view of a LED fluorescent lamp, showing my design.  
FIG. 2 is a right, rear, and top perspective view thereof.  
FIG. 3 is a front elevation view thereof.  
FIG. 4 is a rear elevation view thereof.  
FIG. 5 is a top plan elevation view thereof.  
FIG. 6 is a bottom plan elevation view thereof.  
FIG. 7 is a left side view thereof.  
FIG. 8 is a right side view thereof; and,  
FIG. 9 is a partial enlarged view of an area labeled 9 in FIG. 1 comprising a connector and a fixing.

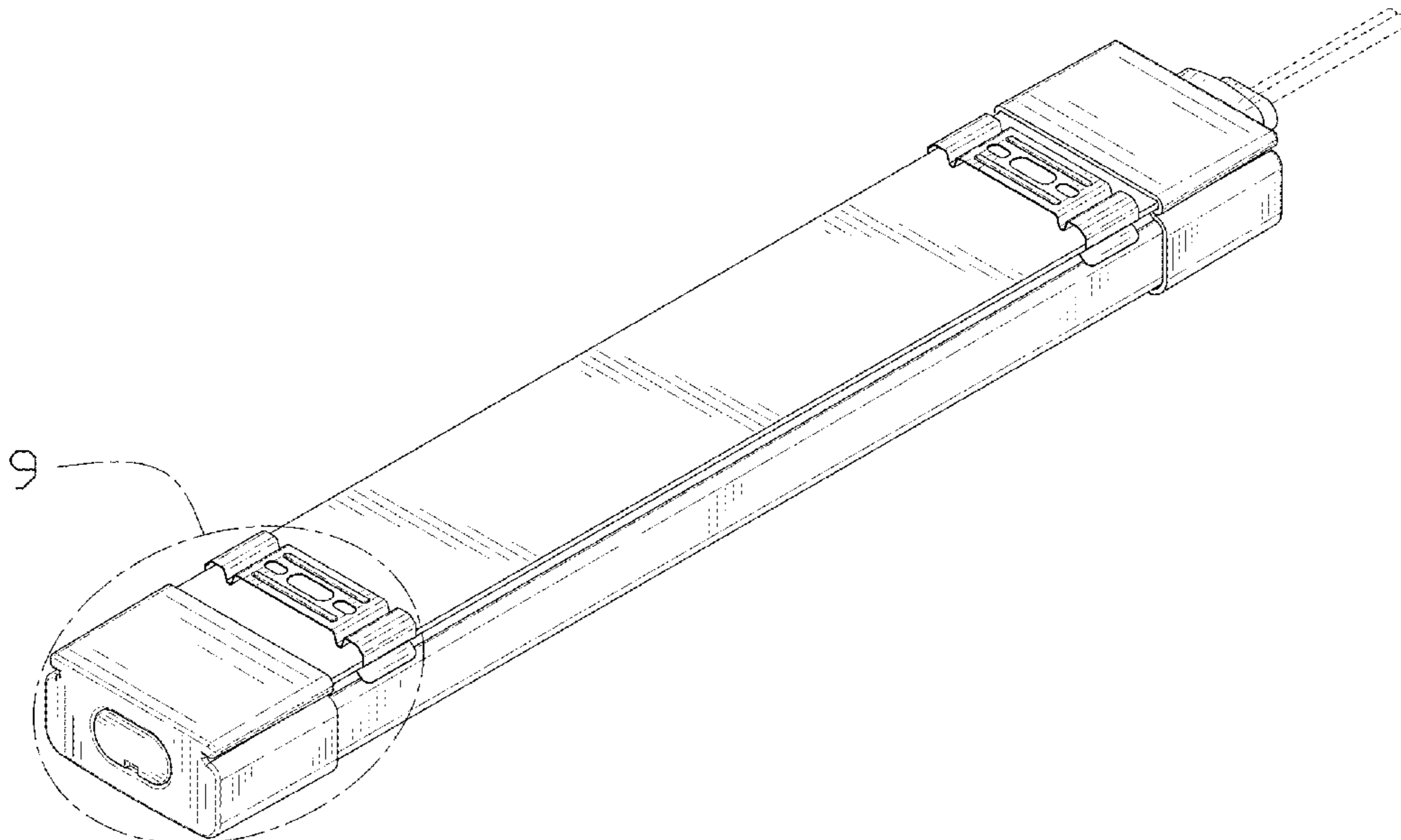
(56) **References Cited**

U.S. PATENT DOCUMENTS

D312,136 S	*	11/1990	Miletich	.....	D26/24
D443,096 S	*	5/2001	Echito	.....	D26/76
D520,667 S	*	5/2006	Jae-Sung	.....	D26/25
D636,504 S	*	4/2011	Duster	.....	D26/3
D662,236 S		6/2012	Matsushita		
D703,841 S	*	4/2014	Feng	.....	D26/1
D743,587 S		11/2015	Lee		
D800,356 S	*	10/2017	Fei	.....	D26/2
D807,536 S	*	1/2018	Fei	.....	D26/2
D819,838 S	*	6/2018	Katterheinrich	.....	D26/1
D831,248 S	*	10/2018	Kuhls	.....	D26/37
D897,022 S	*	9/2020	Guo	.....	D26/76
D925,081 S	*	7/2021	Ke	.....	D26/37
D928,374 S	*	8/2021	Zheng	.....	D26/60
D930,202 S	*	9/2021	Shang	.....	D26/37

The evenly spaced broken lines immediately adjacent to the shaded areas depict the bounds of the claimed design, while all other evenly spaced broken lines are directed to environment. In addition, the dot-dash broken lines in the drawings illustrate an enlarged portion of the design. The broken lines form no part of the claimed design.

**1 Claim, 9 Drawing Sheets**



(56)

**References Cited**

OTHER PUBLICATIONS

Amazon, "SHOPLED 2FT LED Shop Light", first available Nov. 2, 2020. (<https://www.amazon.com/dp/B08MTGJD6P/>) (Year: 2020).\*

Amazon, "FaithSail 4FT LED Linear Light", first available Jul. 15, 2021. (<https://www.amazon.com/dp/B099K4KKFR/>) (Year: 2021).\*

Amazon, "Deformable LED Shop Light", first available Jul. 14, 2021. (<https://www.amazon.com/dp/B099DJFPQK/>) (Year: 2021).\*

\* cited by examiner

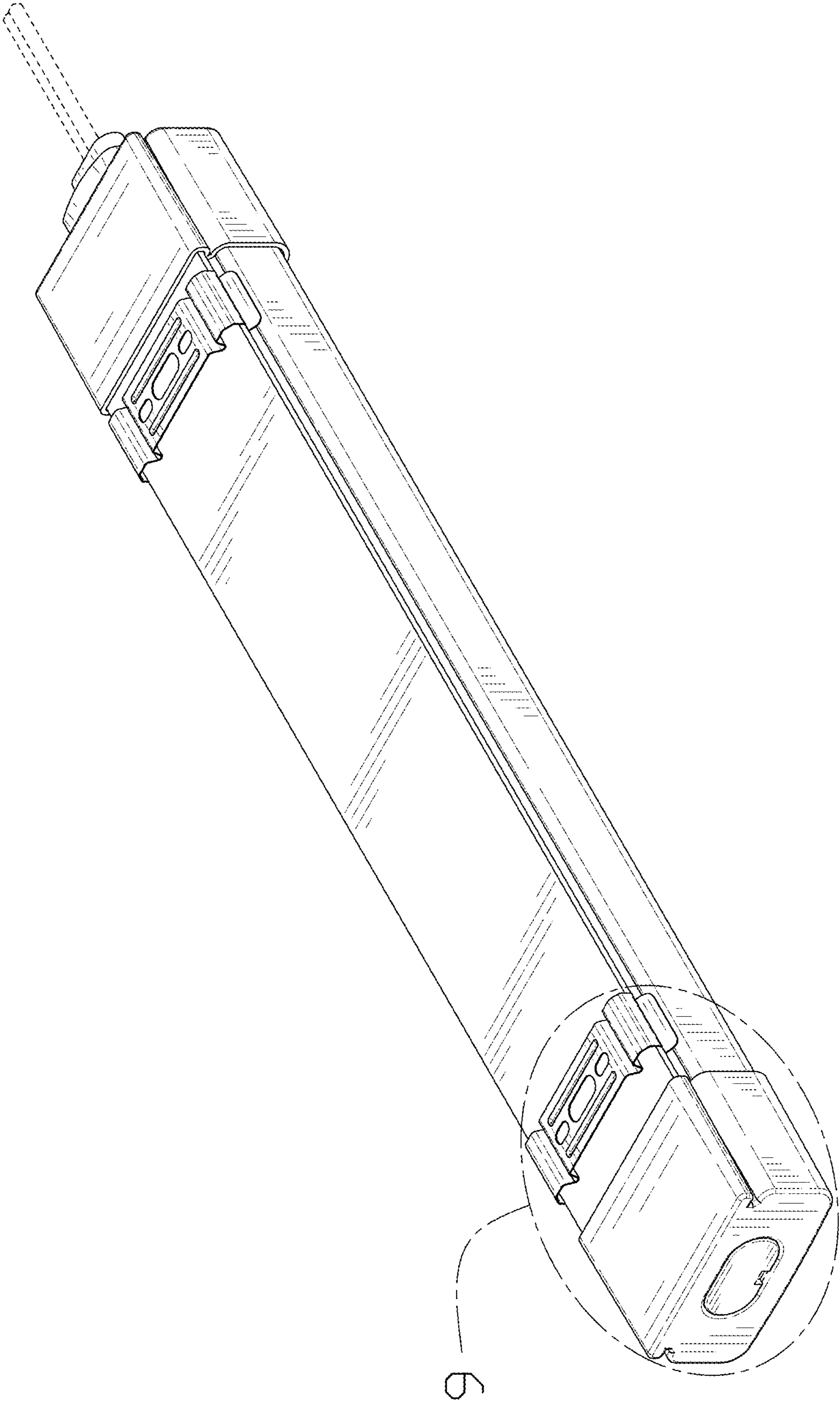


FIG. 1

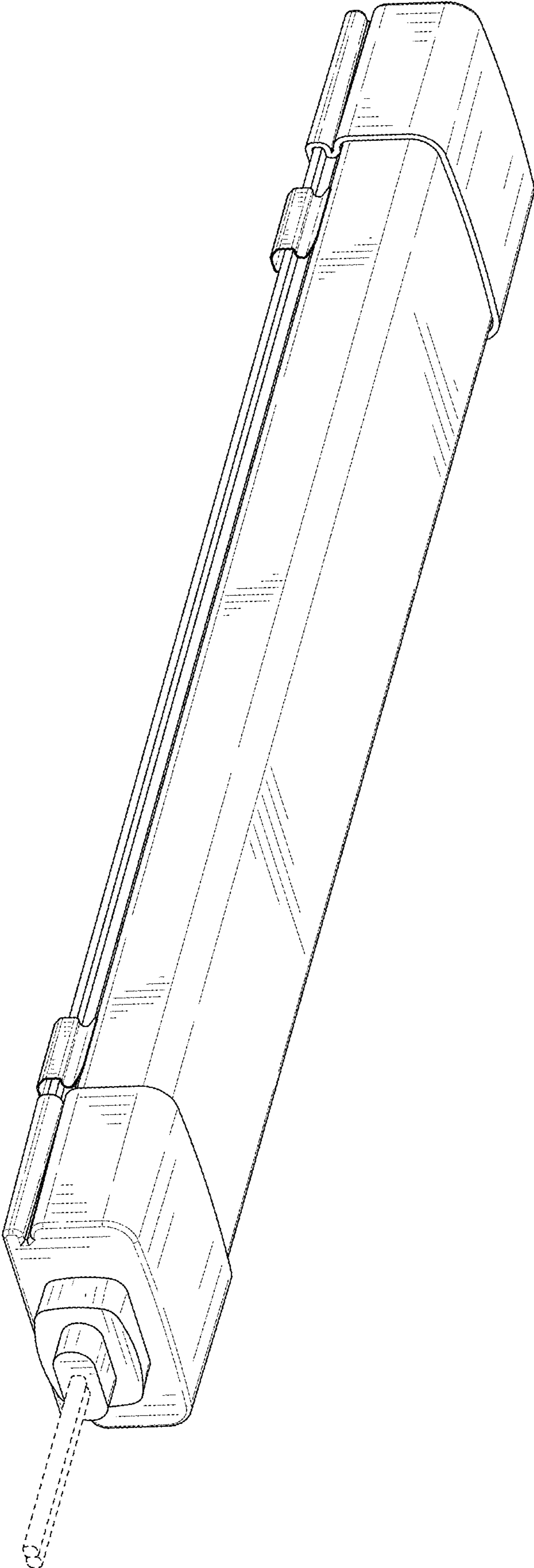


FIG. 2

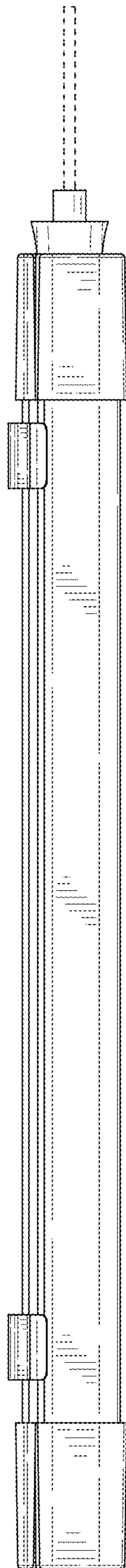


FIG. 3

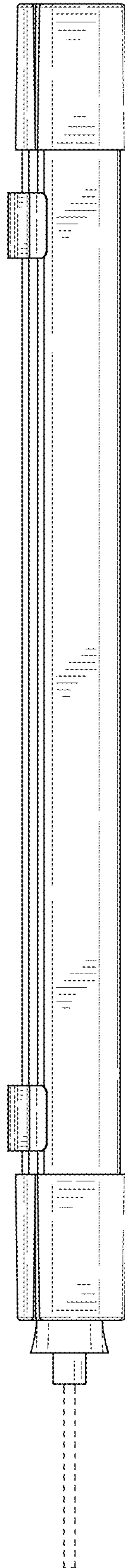


FIG. 4

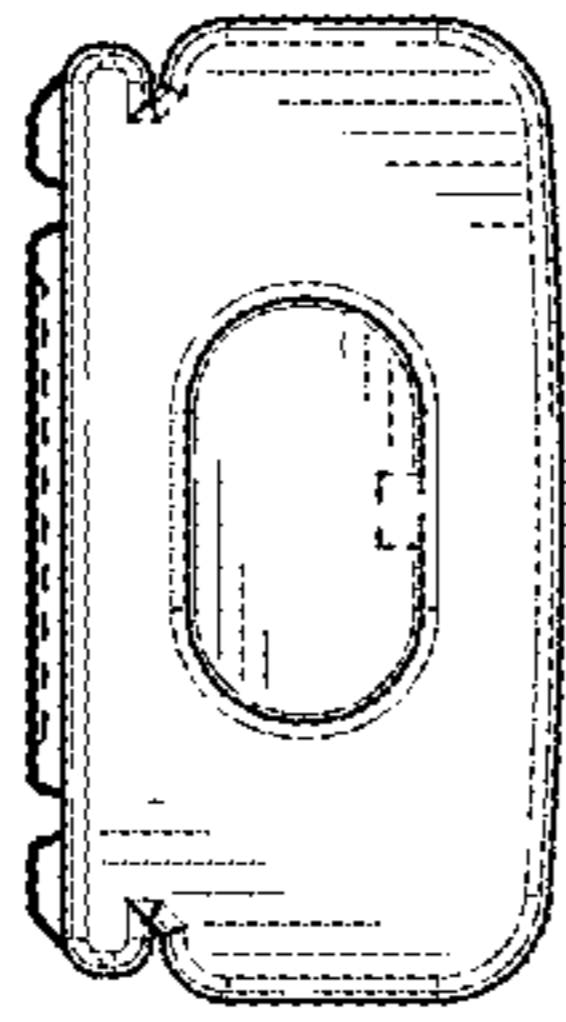


FIG. 5

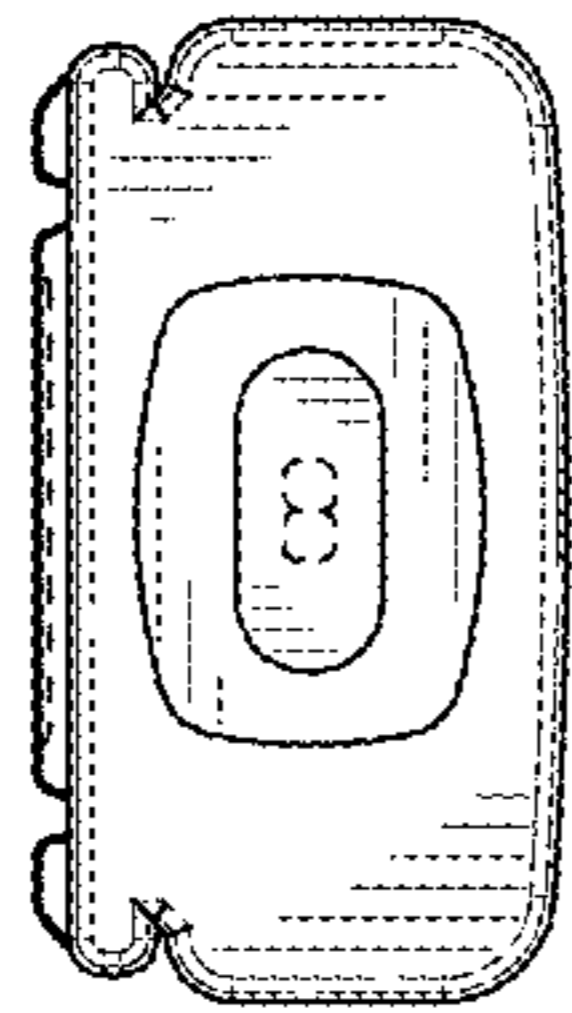


FIG. 6



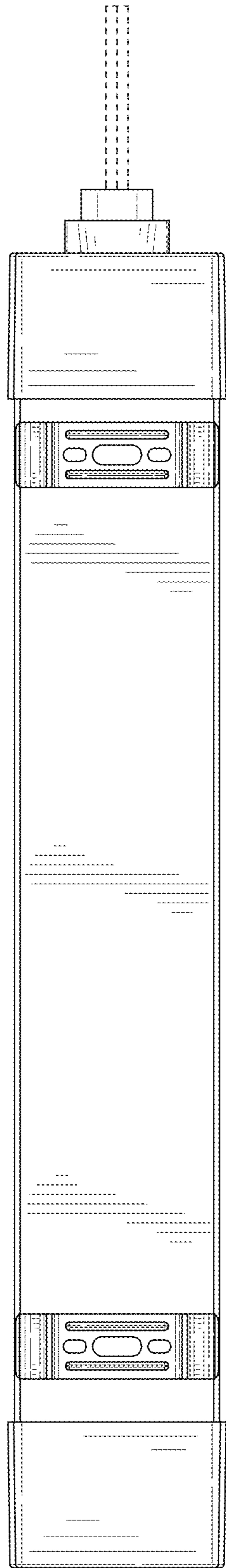


FIG. 7

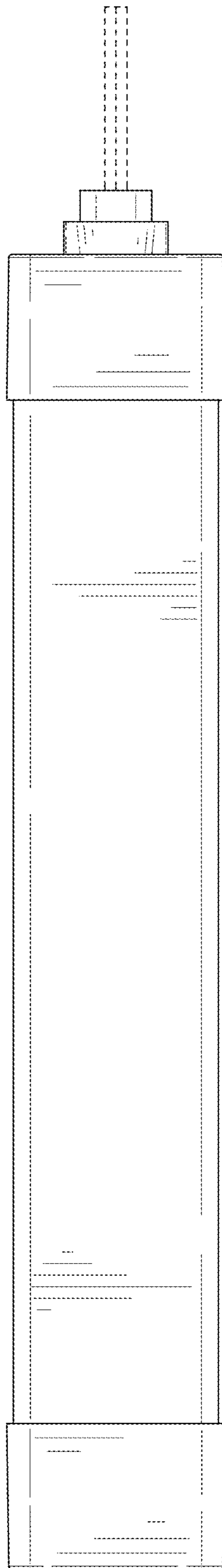


FIG. 8

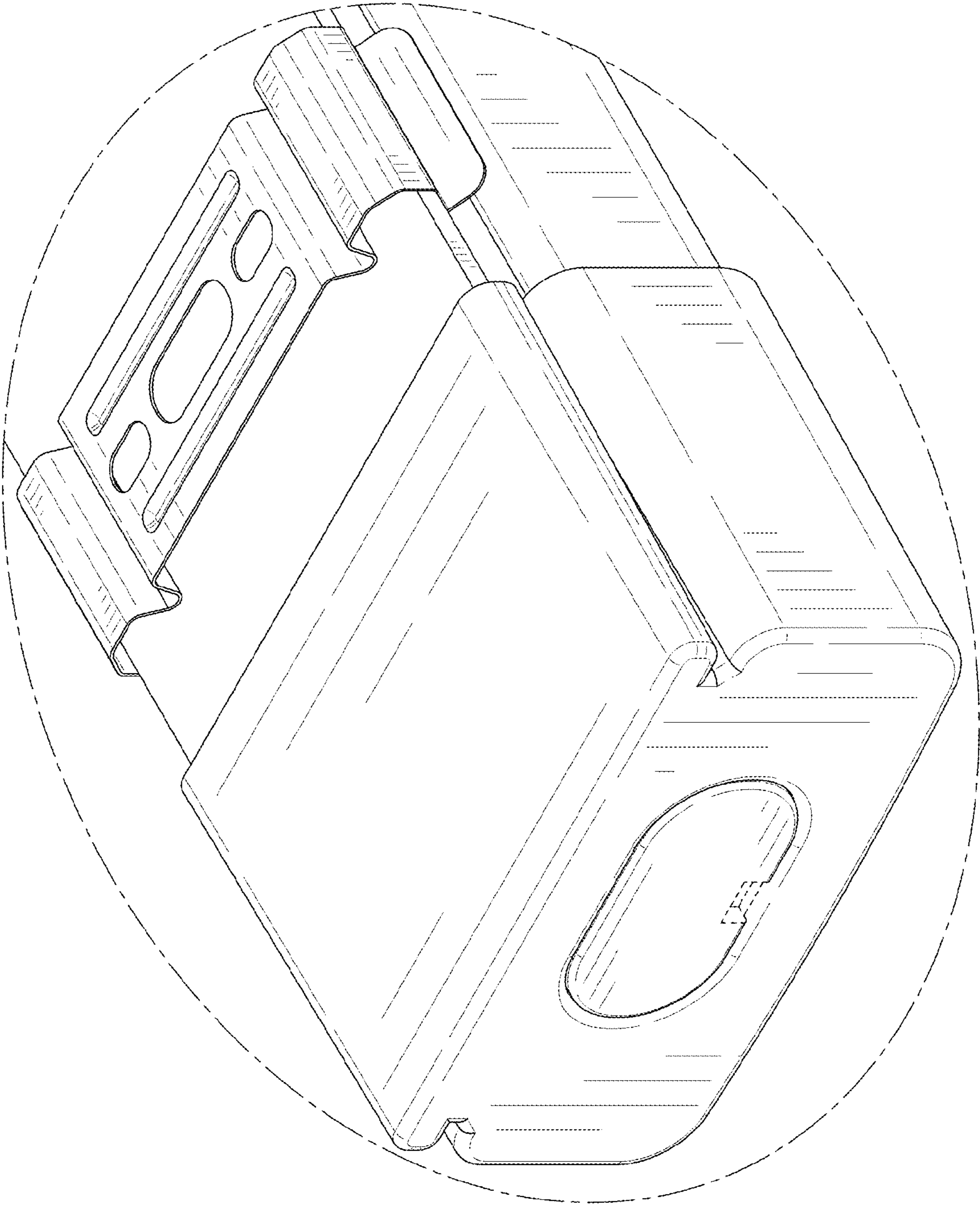


FIG. 9