



US00D937464S

(12) **United States Design Patent** (10) **Patent No.:** **US D937,464 S**  
**Zou** (45) **Date of Patent:** **\*\* Nov. 30, 2021**

(54) **SENSOR LIGHT**  
(71) Applicant: **Shuang Zou**, Suizhou (CN)  
(72) Inventor: **Shuang Zou**, Suizhou (CN)  
(\*\*) Term: **15 Years**  
(21) Appl. No.: **29/773,885**  
(22) Filed: **Mar. 12, 2021**  
(51) **LOC (13) Cl.** ..... **26-05**  
(52) **U.S. Cl.**  
USPC ..... **D26/72; D26/85**  
(58) **Field of Classification Search**  
USPC ..... **D26/72, 80, 85, 76**  
CPC .... **F21S 8/03; F21S 8/033; F21S 8/036; F21S 8/037; F21S 9/022; F21S 9/024; F21S 9/03; F21S 9/035; F21S 9/037; F21W 2131/107; G08B 13/193**  
See application file for complete search history.

10,939,535 B1 \* 3/2021 Ghahramani ..... F21S 9/02  
D925,804 S \* 7/2021 Hamilton ..... D26/72  
2017/0198888 A1 \* 7/2017 Seifert ..... F21V 21/025  
2019/0113215 A1 \* 4/2019 Coleman ..... F21V 23/0471

**FOREIGN PATENT DOCUMENTS**

WO WO-2019104530 A1 \* 6/2019 ..... F21S 9/03

**OTHER PUBLICATIONS**

KPBOTL Under Cabinet Lights ASIN: B09838Q6XT available from amazon.com Sep. 6, 2021. (Year: 2021).\*  
AKSDA LED Closet Light ASIN: B098J6LNG4 available from amazon.com Jul. 2, 2021. (Year: 2021).\*

\* cited by examiner

*Primary Examiner* — Clare E Heflin

(57) **CLAIM**

The ornamental design for a sensor light, as shown and described.

(56) **References Cited**

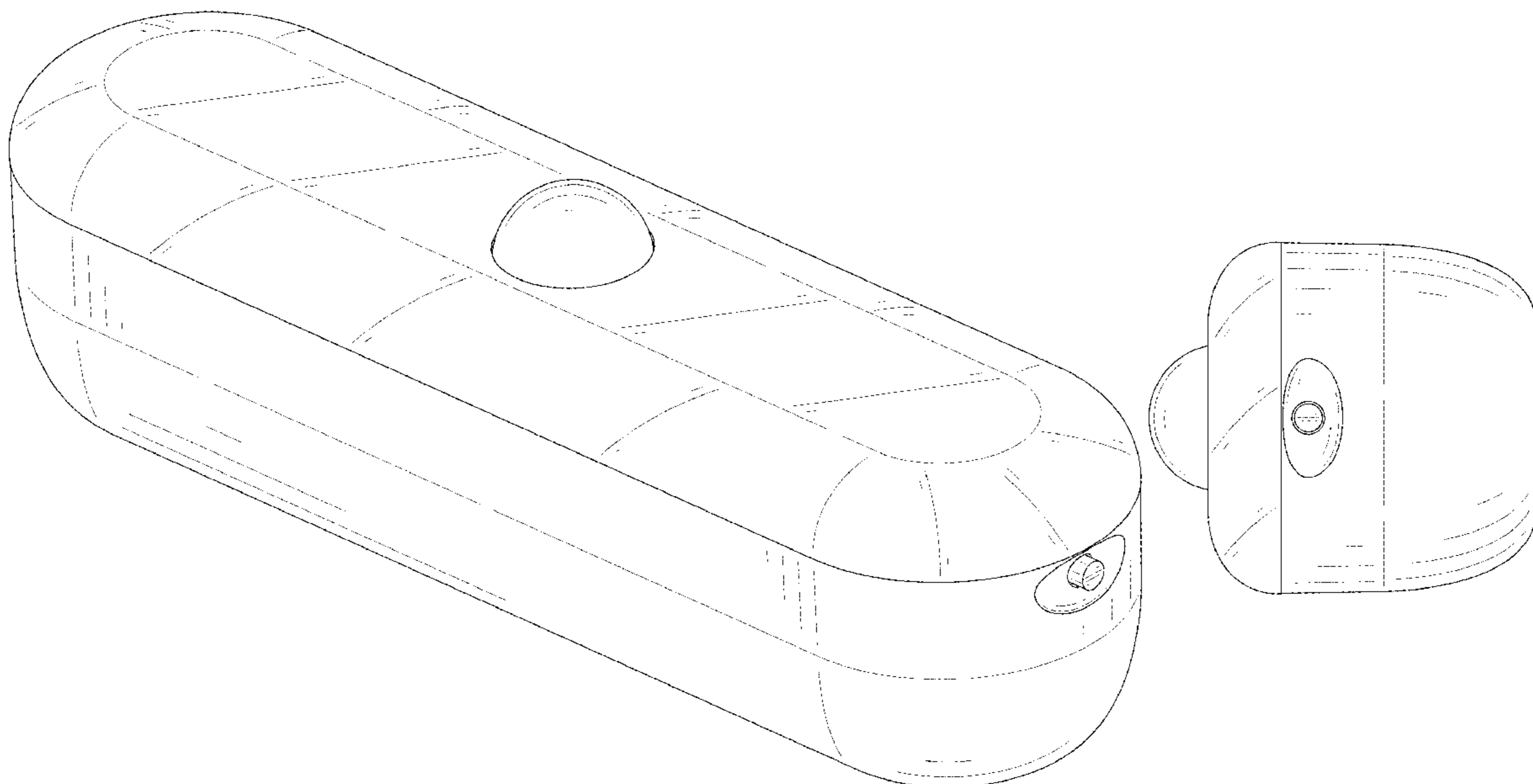
**U.S. PATENT DOCUMENTS**

2,149,635 A \* 3/1939 Shepard ..... B60Q 3/74  
362/490  
D498,018 S \* 11/2004 Sieczkowski ..... D26/118  
D524,456 S \* 7/2006 Yuen  
D532,919 S \* 11/2006 Handsaker ..... D26/80  
D563,003 S \* 2/2008 Aleksjew ..... D26/37  
D587,835 S \* 3/2009 Hanson ..... D26/72  
D612,973 S \* 3/2010 Munstermann ..... D26/80  
D642,726 S \* 8/2011 Khubani ..... D26/80  
D649,673 S \* 11/2011 Liang ..... D26/72  
D650,507 S \* 12/2011 Osiecki ..... D26/72  
D713,277 S \* 9/2014 Hasegawa ..... D10/106.6  
D747,228 S \* 1/2016 Fiedler ..... D10/104.1  
D825,792 S \* 8/2018 Johnson ..... D26/24  
D868,609 S \* 12/2019 Wang ..... D10/106.6  
D906,569 S 12/2020 Wu

**DESCRIPTION**

FIG. 1 is a perspective view of a sensor light showing my new design;  
FIG. 2 is another perspective view thereof;  
FIG. 3 is a front elevational view thereof;  
FIG. 4 is a rear elevational view thereof;  
FIG. 5 is a left side elevational view thereof;  
FIG. 6 is a right side elevational view thereof;  
FIG. 7 is a top plan view thereof; and,  
FIG. 8 is a bottom plan view thereof.  
The broken lines in the drawings depict portions of the sensor light that form no part of the claimed design.

**1 Claim, 8 Drawing Sheets**



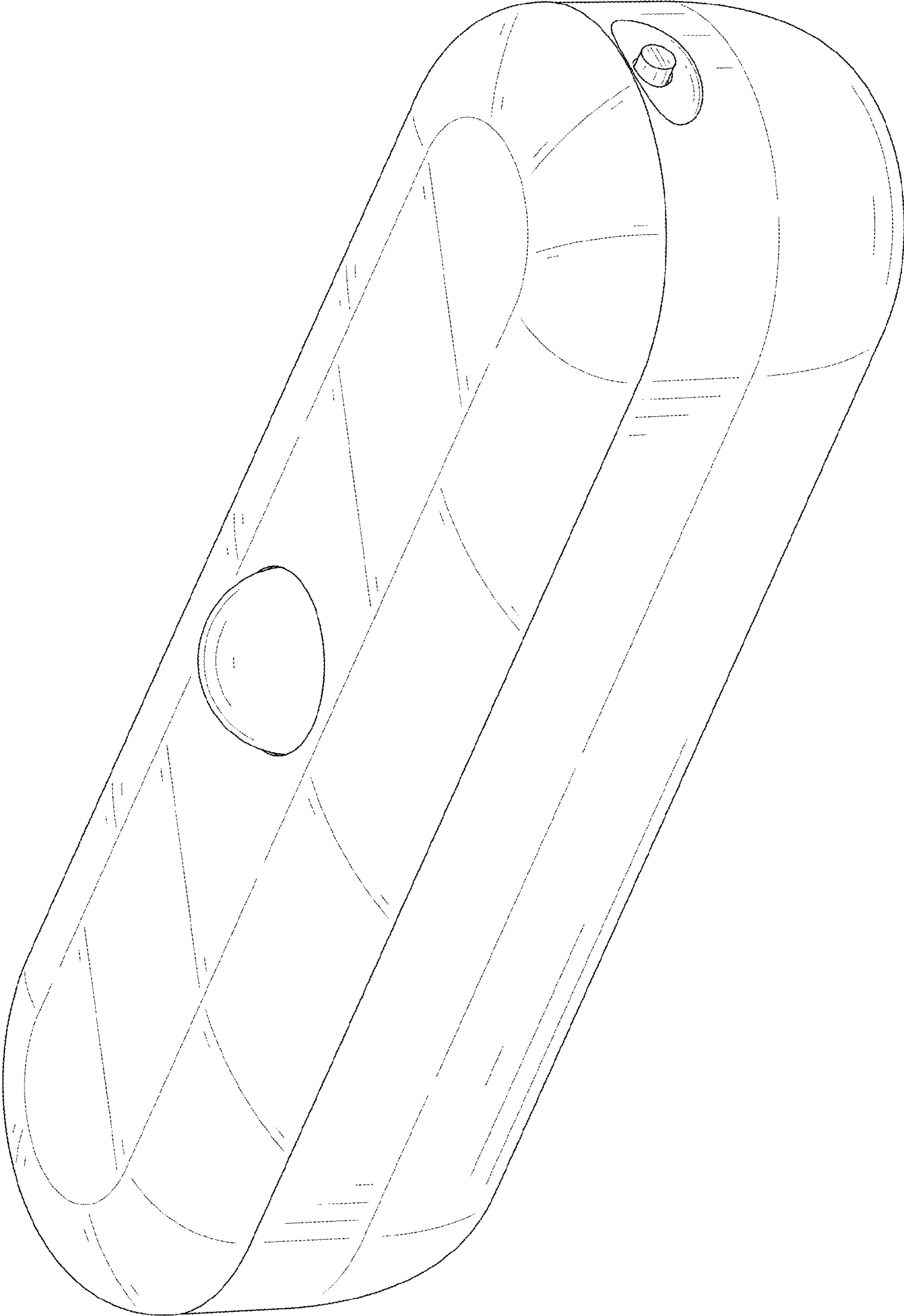


FIG. 1



FIG. 2

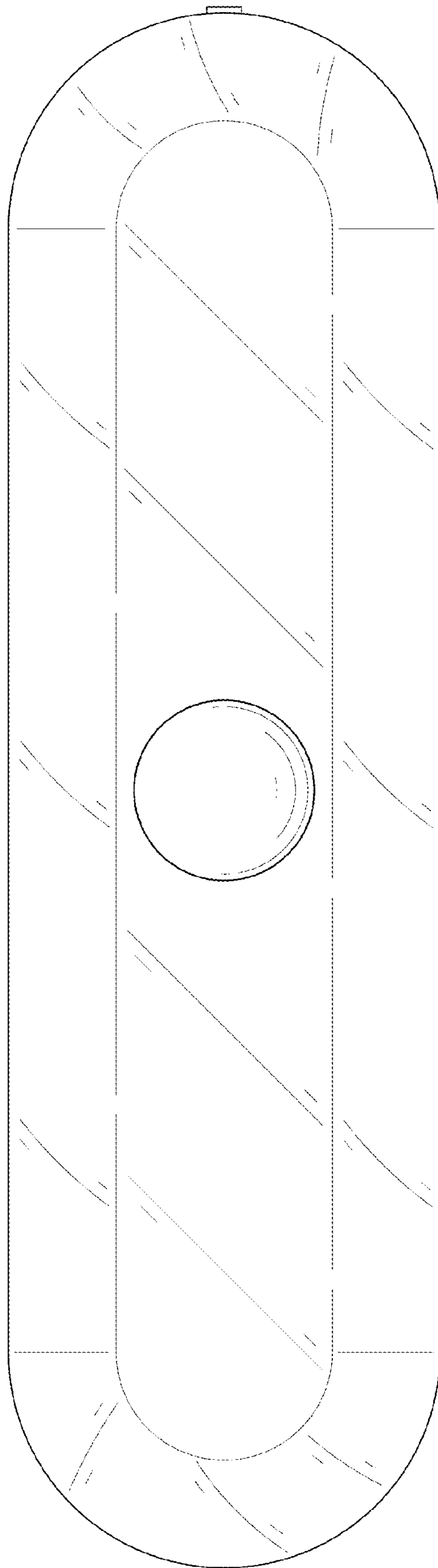


FIG. 3

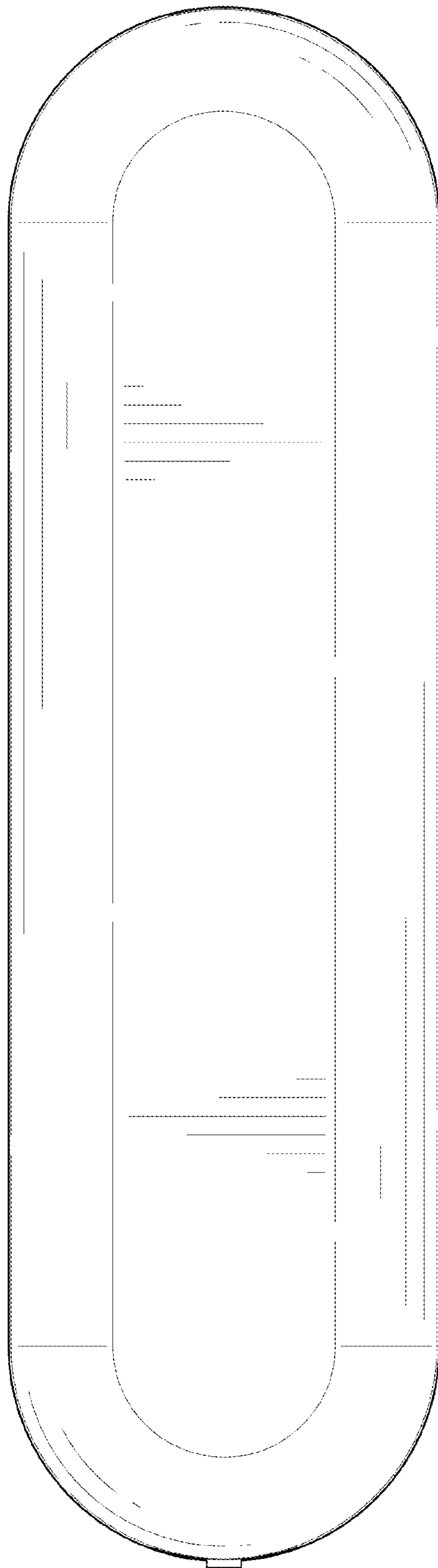


FIG. 4

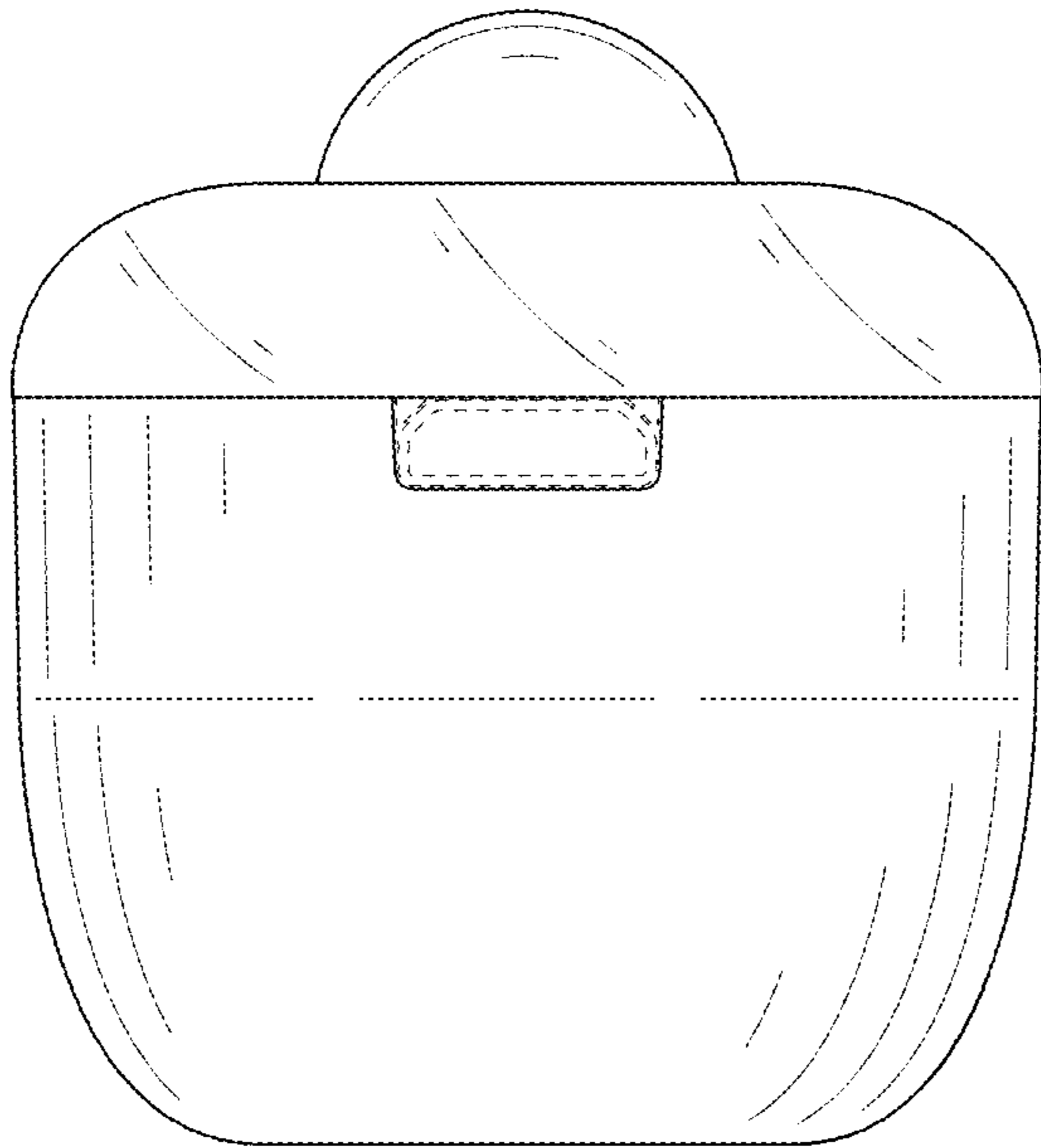


FIG. 5



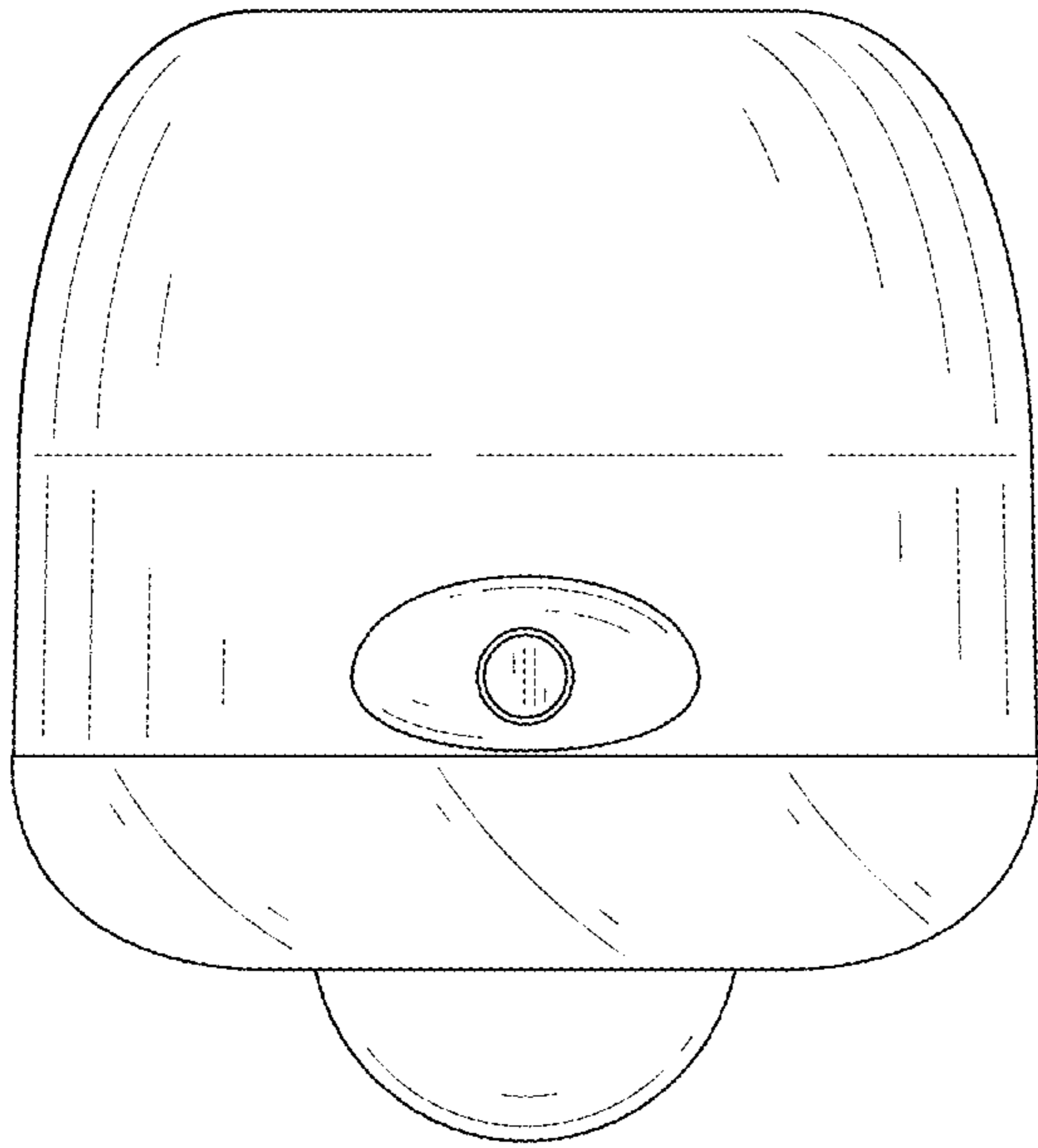


FIG. 6

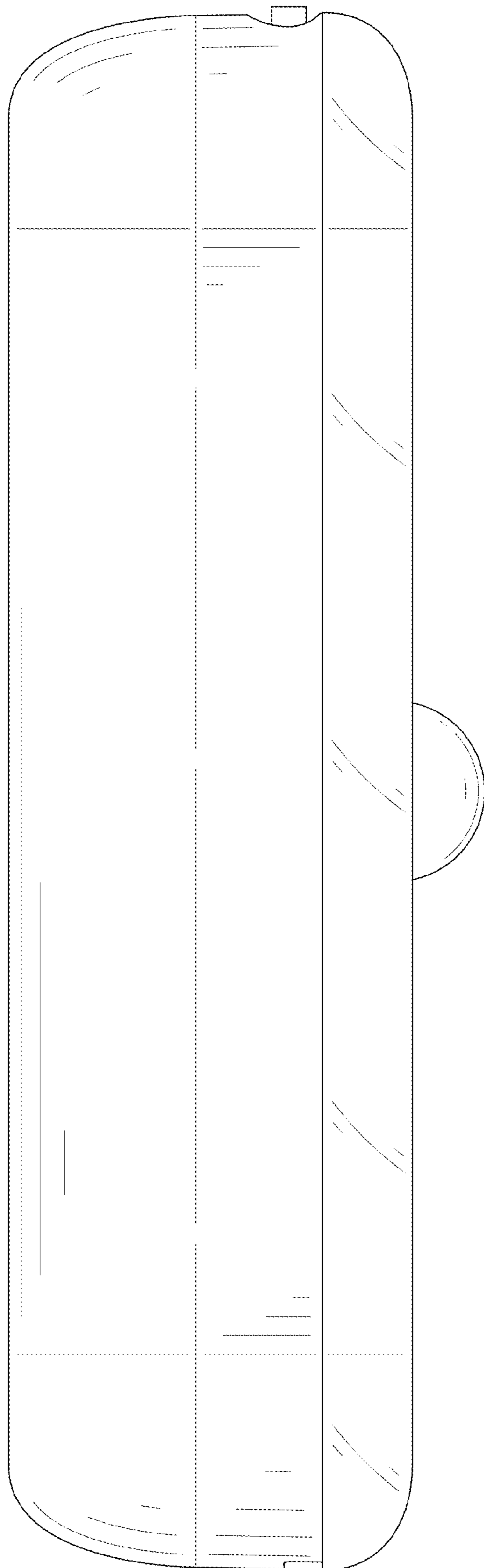


FIG. 7



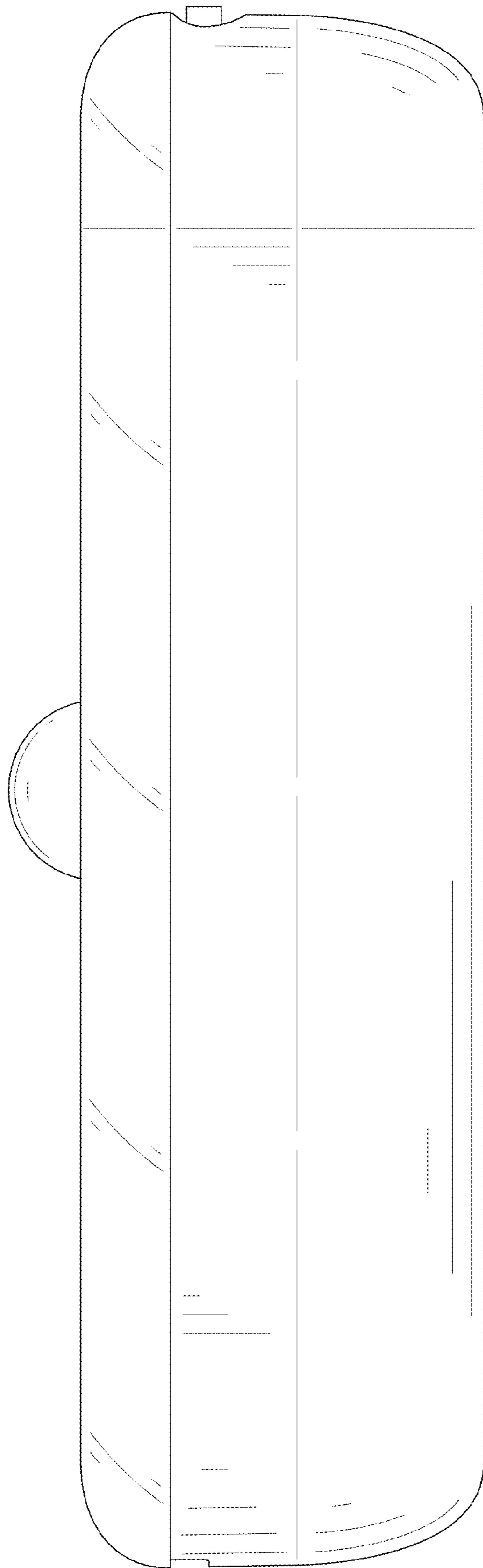


FIG. 8