

US00D937463S

(12) **United States Design Patent**
Zheng

(10) **Patent No.:** **US D937,463 S**

(45) **Date of Patent:** **** Nov. 30, 2021**

(54) **DESK LAMP**

(71) Applicant: **Guangzhou Buythem Imp & Exp Co., Ltd**, Guangzhou (CN)

(72) Inventor: **Qinwen Zheng**, Guangzhou (CN)

(**) Term: **15 Years**

(21) Appl. No.: **29/766,405**

(22) Filed: **Jan. 15, 2021**

(51) **LOC (13) Cl.** **26-05**

(52) **U.S. Cl.**

USPC **D26/65**; D26/107

(58) **Field of Classification Search**

USPC D26/1, 24, 37, 38, 40–42, 44, 50–52, 54, D26/57, 61–63, 65–67, 72, 76, 78–83, D26/85–88, 90, 92–96, 102, 104–113, D26/118–122, 138–142, 145, 152, 155

CPC F21S 2/00; F21S 6/00; F21S 6/002; F21S 8/00; F21S 8/03; F21S 8/031; F21S 8/033; F21S 8/035–037; F21S 8/04; F21S 8/043; F21S 8/063; F21S 8/08; F21V 1/00; F21V 21/00; F21V 21/02; F21V 21/10; F21V 21/108; F21V 21/14; F21V 21/26; F21V 21/28; F21V 21/30; F21W 2121/00; F21W 2131/30

See application file for complete search history.

(56) **References Cited**

U.S. PATENT DOCUMENTS

D345,027 S	*	3/1994	Huang	D26/65
D431,876 S	*	10/2000	Lewis	D26/76
D568,520 S	*	5/2008	Castellucci	D26/65
D623,333 S	*	9/2010	Huang	D26/65
D627,501 S	*	11/2010	Lin	D26/65
D639,489 S	*	6/2011	Huang	D26/107
D639,490 S	*	6/2011	Huang	D26/107
D650,937 S	*	12/2011	Horsley	D26/65
D662,639 S		6/2012	Ng et al.		
D663,062 S		7/2012	Ng et al.		

D714,483 S	*	9/2014	Polick	D26/65
D764,096 S	*	8/2016	Bi	D26/107
D790,750 S	*	6/2017	Xiao	D26/107
D803,450 S	*	11/2017	Xie	D26/63
D804,071 S	*	11/2017	Xu	D26/63
D809,187 S	*	1/2018	Dai	D26/107
D820,500 S	*	6/2018	Li	D26/85
D822,879 S	*	7/2018	Hodgson	D26/108
D872,335 S	*	1/2020	Xiao	D26/65
D872,925 S	*	1/2020	Xiao	D26/107
D873,463 S	*	1/2020	Wang	D26/65

(Continued)

OTHER PUBLICATIONS

Ikwuanfly Folding and Dimmable Table Lamp, May 13, 2020, Amazon.com, site visited Jul. 29, 2021, url: <https://www.amazon.com/Eye-Caring-Dimmable-Lighting-Practical-AC100-240V/dp/B088K446JP> (Year: 2020).*

(Continued)

Primary Examiner — T Chase Nelson

Assistant Examiner — Rachel Wolfe

(74) *Attorney, Agent, or Firm* — Rumit Ranjit Kanakia

(57)

CLAIM

I claim the ornamental design for a desk lamp, as shown and described.

DESCRIPTION

FIG. 1 is a Perspective view of a desk lamp showing my new design;

FIG. 2 is a Front view thereof;

FIG. 3 is a Back view thereof;

FIG. 4 is a Right-side view thereof;

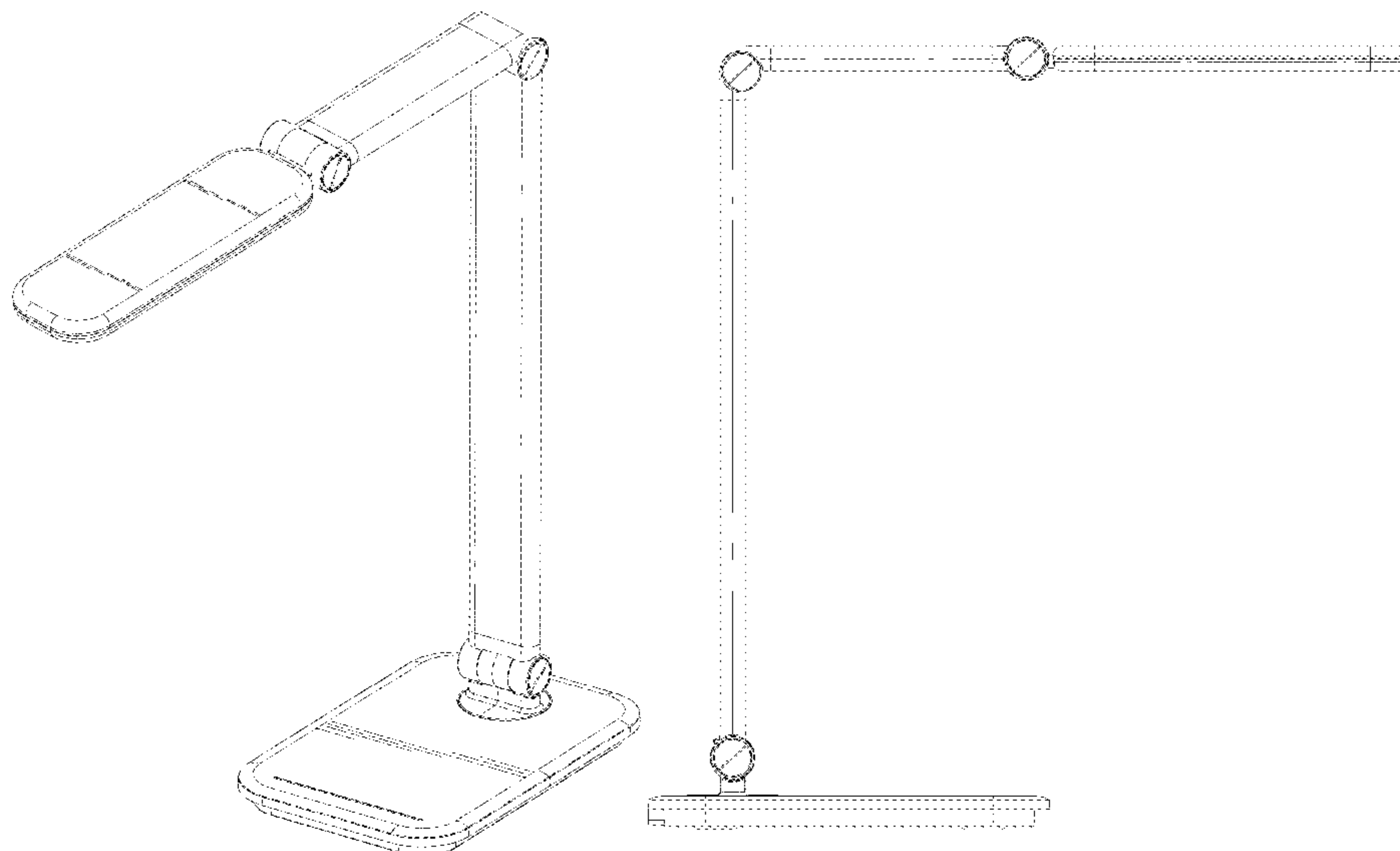
FIG. 5 is a Left-side view thereof;

FIG. 6 is a Top view thereof; and,

FIG. 7 is a Bottom view thereof.

The broken lines in the drawings depict portions of the desk lamp that form no part of the claimed design.

1 Claim, 6 Drawing Sheets



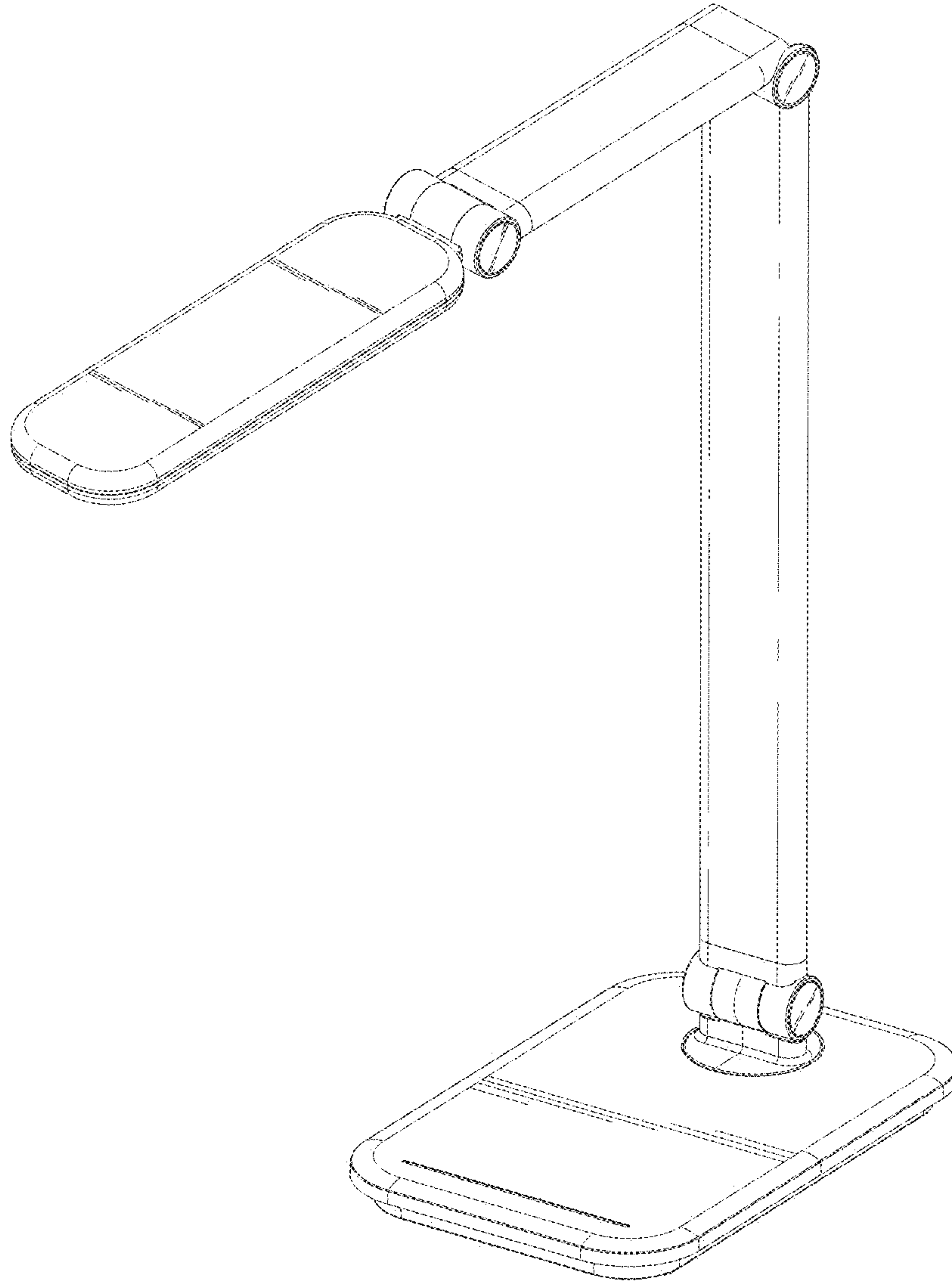


FIG. 1

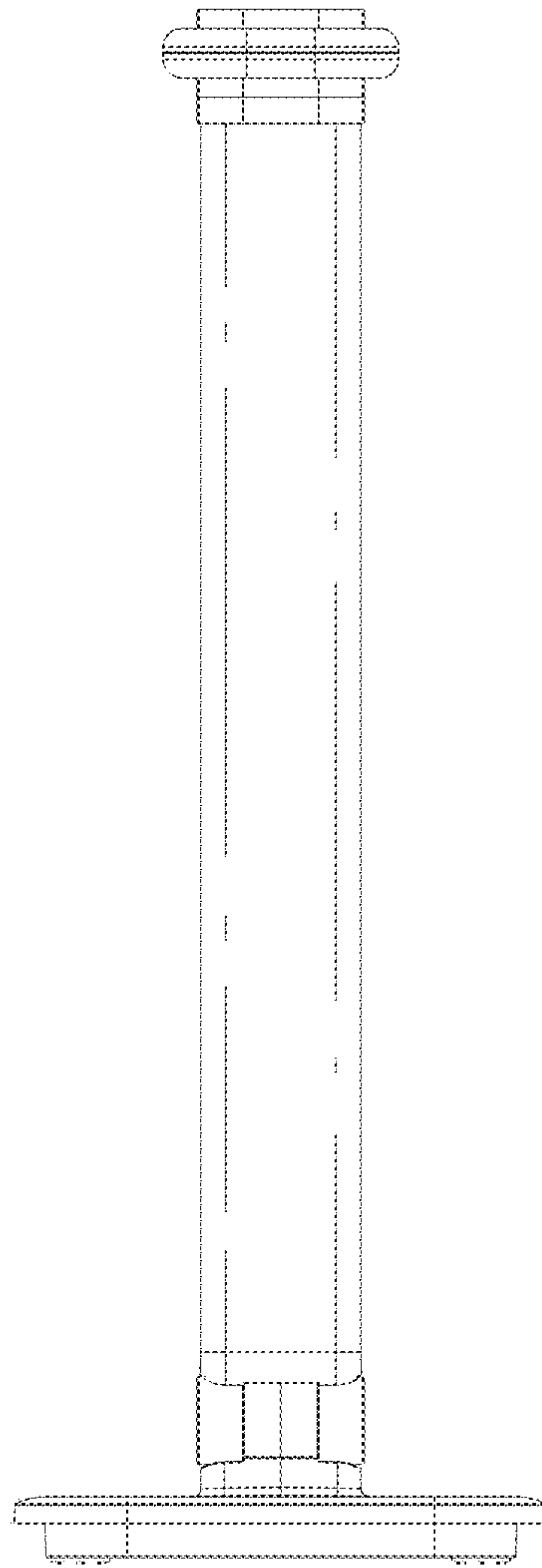


FIG. 2

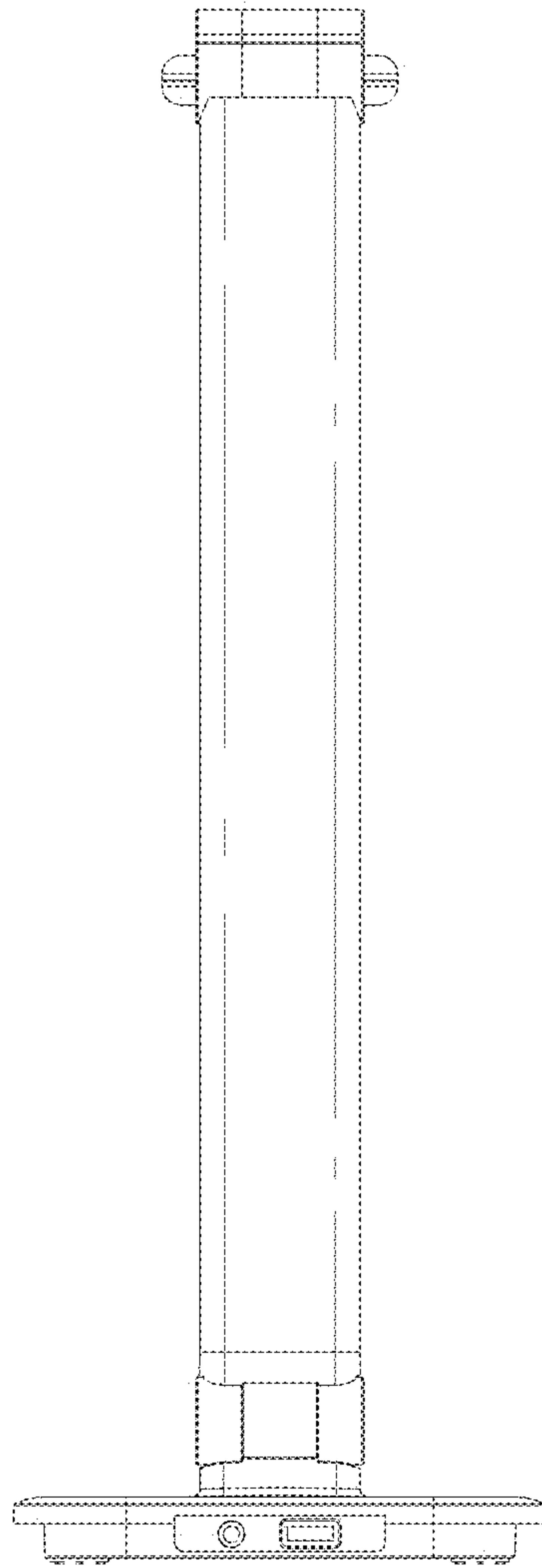


FIG. 3

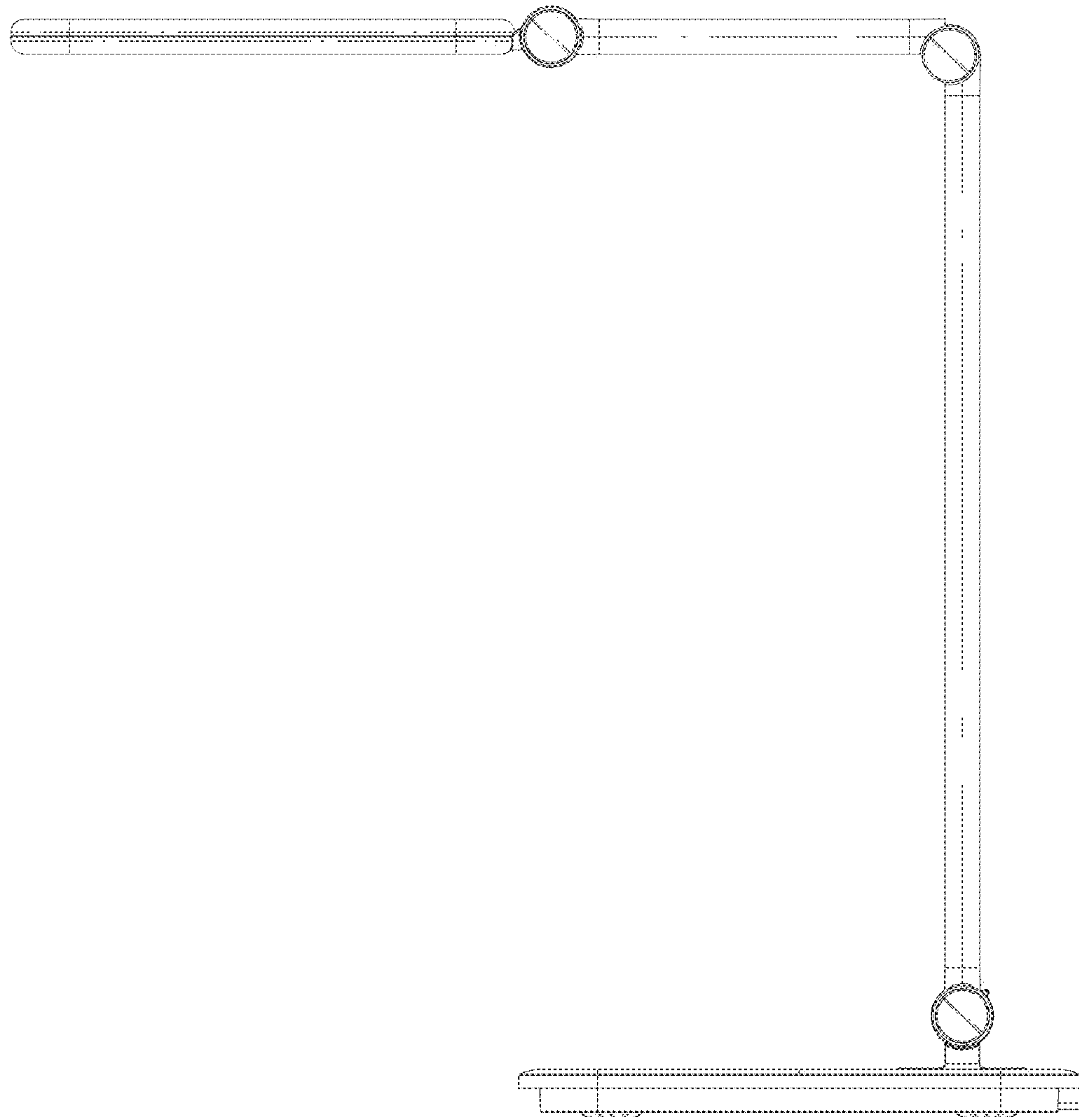


FIG. 4

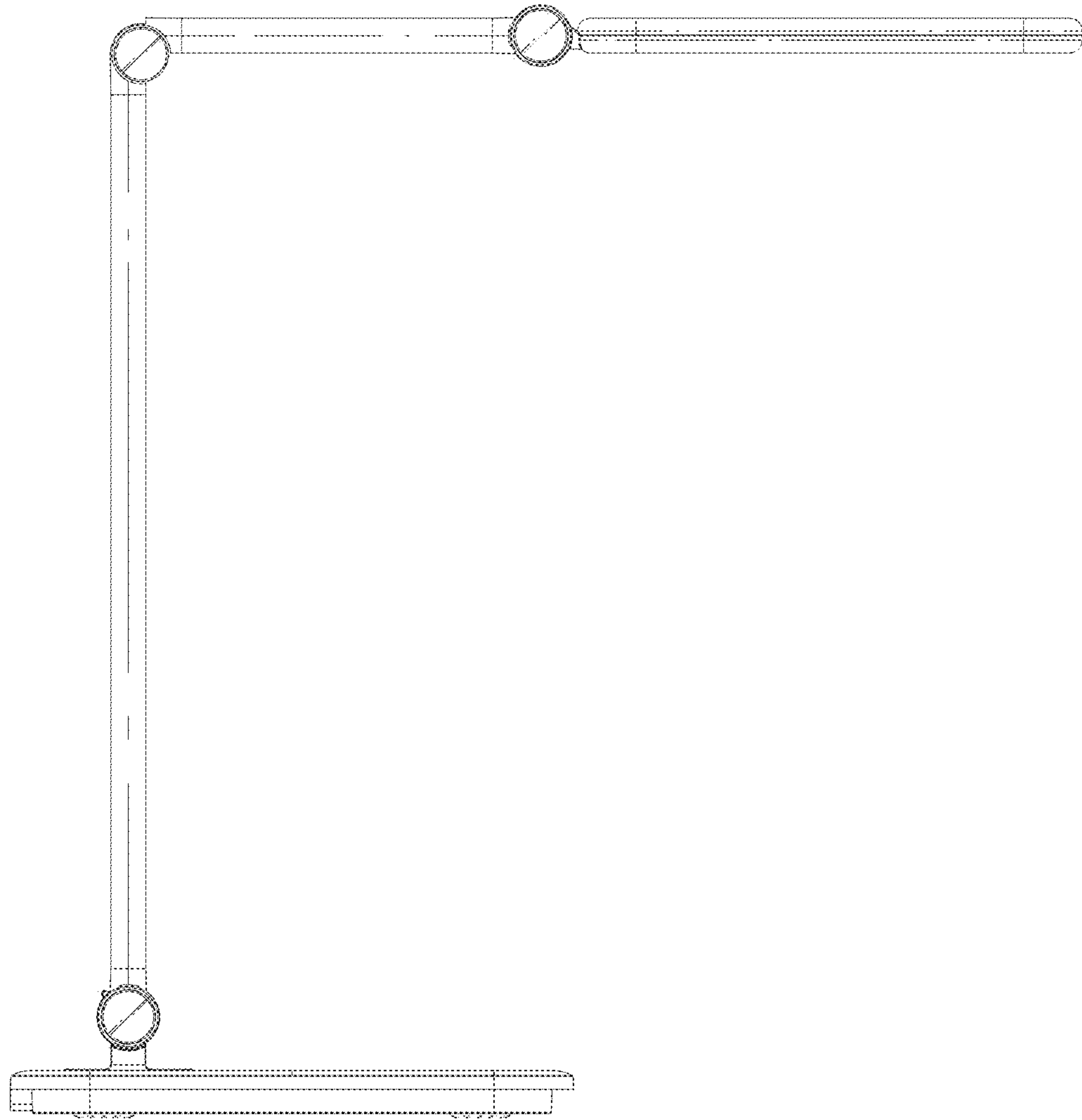


FIG. 5

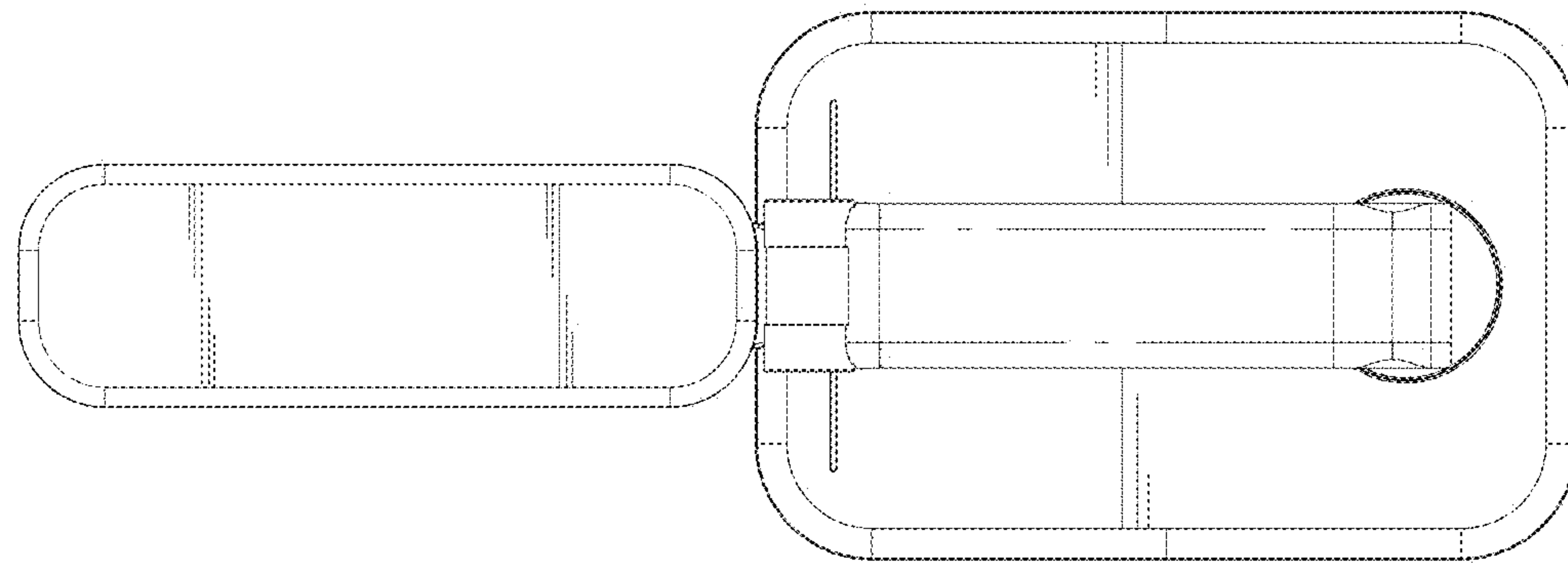


FIG. 6

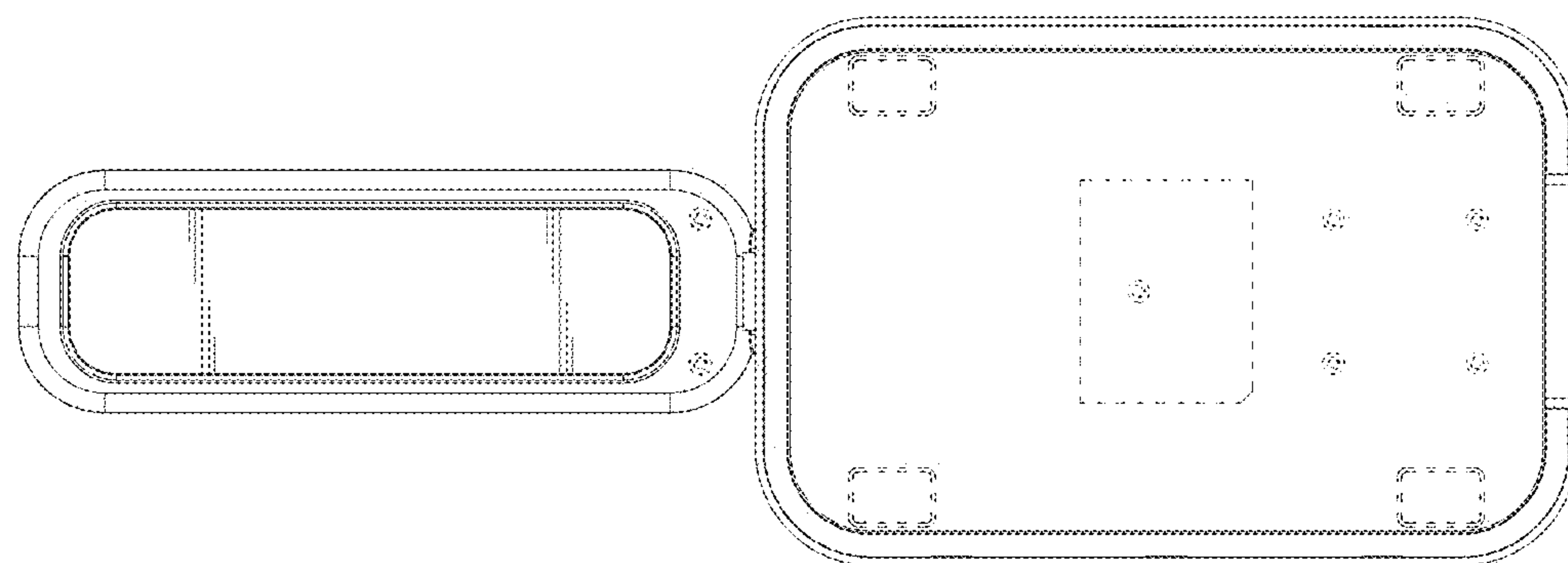


FIG. 7