



US00D937460S

(12) **United States Design Patent** (10) **Patent No.:** **US D937,460 S**  
**Bourne** (45) **Date of Patent:** **\*\* Nov. 30, 2021**

(54) **FLASHLIGHT**  
(71) Applicant: **Energizer Brands, LLC**, St. Louis, MO (US)  
(72) Inventor: **Chris Bourne**, St. Louis, MO (US)  
(73) Assignee: **Energizer Brands, LLC**, St. Louis, MO (US)  
(\*\*) Term: **15 Years**

D449,395 S 10/2001 Dalton et al.  
D449,703 S 10/2001 Dalton et al.  
D452,024 S 12/2001 Sharrah  
D452,025 S 12/2001 Poon  
D455,513 S 4/2002 Galli  
(Continued)

**FOREIGN PATENT DOCUMENTS**

CN 302415703 \* 4/2013  
CN 305190490 \* 5/2019  
(Continued)

(21) Appl. No.: **29/710,471**  
(22) Filed: **Oct. 23, 2019**  
(51) **LOC (13) Cl.** ..... **26-02**  
(52) **U.S. Cl.**  
USPC ..... **D26/49; D26/37; D26/38**  
(58) **Field of Classification Search**  
USPC .... D26/37-44, 46-52; D10/109.1, 111-115;  
D19/115, 116, 123, 130  
CPC .... F21V 21/145; F21V 23/0414; F21V 5/006;  
F21L 4/005; F21L 4/045; F41B 15/022;  
Y10S 362/80  
See application file for complete search history.

**OTHER PUBLICATIONS**

“White Light Tip Pen,” Nov. 13, 2014, amazon.com, site visited Jul. 14, 2021, URL: <https://www.amazon.com/White-Light-Tip-Pen-LED/dp/B00PKHULYS> (Year: 2014).\*  
(Continued)

*Primary Examiner* — Eric L Goodman  
*Assistant Examiner* — Sarah L Smith  
(74) *Attorney, Agent, or Firm* — Alston & Bird LLP

(57) **CLAIM**

The ornamental design for a flashlight, as shown and described.

(56) **References Cited**

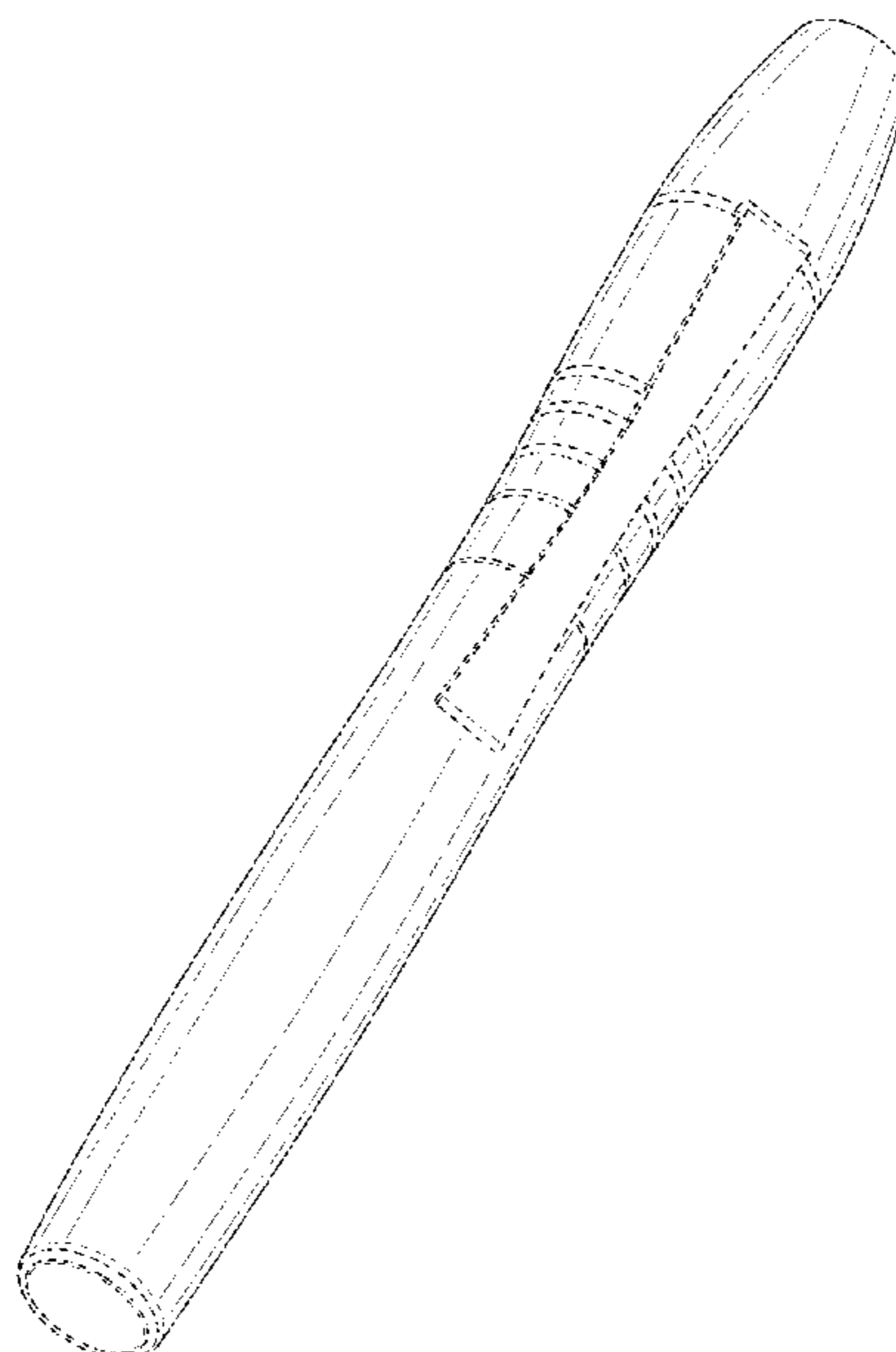
**U.S. PATENT DOCUMENTS**

2,855,499 A 10/1958 Lewis  
3,737,650 A \* 6/1973 Kaye ..... F21L 4/005  
362/191  
4,803,605 A 2/1989 Schaller et al.  
D315,608 S 3/1991 Petterson et al.  
D336,966 S 6/1993 Yau  
D356,650 S 3/1995 Petterson et al.  
D360,045 S 7/1995 Inukai  
D421,145 S 2/2000 Man  
D445,934 S 7/2001 Dalton et al.  
D447,259 S 8/2001 Lynch et al.  
D448,876 S 10/2001 Osiecki et al.  
D448,878 S 10/2001 Dalton et al.

**DESCRIPTION**

FIG. 1 is a bottom front perspective view of a flashlight.  
FIG. 2 is a front view the flashlight of FIG. 1.  
FIG. 3 is a back view of the flashlight of FIG. 1.  
FIG. 4 is a left side view of the flashlight of FIG. 1.  
FIG. 5 is a right side view of the flashlight of FIG. 1.  
FIG. 6 is a top view of the flashlight of FIG. 1.  
FIG. 7 is a bottom view of the flashlight of FIG. 1; and,  
FIG. 8 is a top rear perspective view of the flashlight of FIG. 1.  
The broken lines are directed to unclaimed features of the flashlight and form no part of the claimed design.

**1 Claim, 7 Drawing Sheets**



(56)

References Cited

U.S. PATENT DOCUMENTS

D465,865 S \* 11/2002 Hamilton ..... B29C 70/32  
D26/37

D467,375 S 12/2002 Lynch et al.

D480,824 S 10/2003 Englert et al.

D480,825 S 10/2003 Englert et al.

D480,826 S 10/2003 Englert et al.

D483,784 S \* 12/2003 Ting ..... D16/208

D492,807 S 7/2004 Dalton et al.

D493,904 S 8/2004 Dalton et al.

D494,299 S 8/2004 Dalton et al.

D494,694 S 8/2004 Krieger et al.

D496,116 S 9/2004 Abernethy et al.

D496,482 S 9/2004 Osiecki et al.

D499,499 S \* 12/2004 Cetera ..... D26/37

D501,056 S 1/2005 Dalton et al.

D502,278 S 2/2005 Dalton et al.

D502,564 S 3/2005 Dalton et al.

D503,991 S 4/2005 Dalton et al.

D504,534 S 4/2005 Osiecki et al.

D504,737 S 5/2005 Osiecki et al.

D504,740 S 5/2005 Dalton et al.

D504,966 S 5/2005 Osiecki et al.

D507,064 S 7/2005 Osiecki et al.

D507,364 S \* 7/2005 Lo ..... D26/37

D514,721 S 2/2006 Osiecki et al.

D518,216 S 3/2006 Rugendyke et al.

D518,217 S 3/2006 Rugendyke et al.

D520,161 S 5/2006 Krieger et al.

7,070,297 B1 7/2006 Muhlneckel, Jr.

D531,337 S 10/2006 Dalton et al.

D531,747 S 11/2006 Brown

D536,464 S 2/2007 Kingston et al.

D544,188 S 6/2007 Osiecki et al.

D549,373 S 8/2007 Osiecki et al.

D549,377 S 8/2007 Osiecki et al.

D552,279 S 10/2007 Osiecki et al.

D552,280 S 10/2007 Osiecki et al.

D552,776 S 10/2007 Osiecki et al.

D553,283 S 10/2007 Rugendyke et al.

D554,786 S 11/2007 Rugendyke et al.

D560,297 S 1/2008 Brown et al.

D562,480 S 2/2008 Spartano et al.

D574,529 S 8/2008 Squires et al.

D577,140 S 9/2008 Brown et al.

D579,135 S 10/2008 Shiu

D582,915 S \* 12/2008 Leung ..... D14/480.3

D589,635 S 3/2009 Rugendyke et al.

D598,151 S 8/2009 McGraw

D603,990 S 11/2009 Brown et al.

D605,795 S 12/2009 Baker et al.

D617,023 S 6/2010 Rugendyke et al.

D620,161 S 7/2010 Kang et al.

D622,428 S \* 8/2010 Crawford ..... D26/37

D625,448 S 10/2010 Brown et al.

D628,727 S 12/2010 Risch et al.

D629,941 S 12/2010 Robinson et al.

D630,783 S 1/2011 Baker et al.

D637,747 S 5/2011 Hesse et al.

D641,510 S 7/2011 Wang

D649,275 S \* 11/2011 Crawford ..... D26/49

D658,322 S \* 4/2012 Wu ..... D26/37

D661,734 S \* 6/2012 Johnson ..... D19/130

D675,764 S 2/2013 Boutet et al.

D676,170 S 2/2013 Feng et al.

8,382,312 B2 \* 2/2013 Crawford ..... B29C 70/32  
362/203

D681,858 S 5/2013 Sharrah et al.

D687,995 S 8/2013 Yeh

D688,401 S 8/2013 Kung

D689,229 S 9/2013 Yeh

D689,230 S 9/2013 Yeh

D690,448 S 9/2013 Yeh

D706,476 S 6/2014 Lee

D707,869 S 6/2014 Wu

8,783,908 B2 7/2014 Gross et al.

D716,983 S 11/2014 Ma

D728,139 S 4/2015 Wang

D742,570 S 11/2015 Brown et al.

D743,075 S 11/2015 Keaton

D744,136 S 11/2015 Osiecki et al.

D757,850 S \* 5/2016 Zhang ..... D19/123

D765,899 S 9/2016 Hine et al.

D767,184 S 9/2016 Fitch et al.

D767,187 S 9/2016 Hine

D770,071 S 10/2016 Windom et al.

D772,456 S 11/2016 Bertken

D785,841 S 5/2017 Brown et al.

D785,940 S 5/2017 Reed

D788,965 S 6/2017 Roshak et al.

D798,482 S 9/2017 O'Doherty et al.

D799,087 S \* 10/2017 Koshiha ..... F21V 21/0885  
D26/49

D806,295 S 12/2017 Kang et al.

9,845,938 B1 12/2017 Kaye et al.

D810,978 S \* 2/2018 Windom ..... F21L 4/005  
D26/38

D811,636 S 2/2018 Galli et al.

9,933,146 B2 4/2018 Maglica et al.

D817,528 S 5/2018 Wu

D818,621 S \* 5/2018 Kunzendorf ..... D26/49

D822,864 S 7/2018 Windom

D826,439 S 8/2018 Ma

D833,661 S 11/2018 Ma

D837,428 S 1/2019 Arena

D840,854 S 2/2019 Shi et al.

D844,204 S \* 3/2019 Ma ..... D26/49

D844,874 S 4/2019 Eichelberger et al.

D846,783 S 4/2019 Eichelberger

D849,979 S 5/2019 Lehovetzki

D851,310 S 6/2019 Windom et al.

D851,797 S 6/2019 Sharrah

D855,850 S 8/2019 Brown

D858,831 S 9/2019 Proeber

D866,030 S 11/2019 Bao

D866,830 S 11/2019 Pan et al.

D871,639 S 12/2019 Prieto

D882,840 S 4/2020 Liu

D883,546 S 5/2020 Li

D891,663 S 7/2020 Weizel

D894,456 S 8/2020 Luo

D895,868 S 9/2020 Christensen

D897,578 S 9/2020 Le

D897,579 S 9/2020 Le

D905,885 S 12/2020 Kotsis et al.

D907,826 S 1/2021 Christensen

D914,938 S 3/2021 Qiu

D917,753 S \* 4/2021 Guo ..... D26/37

2004/0012955 A1 1/2004 Hsieh

2004/0095759 A1 5/2004 Koch et al.

2008/0304258 A1 12/2008 Mcmillan et al.

2009/0147506 A1 \* 6/2009 Robinson ..... F21V 21/0885  
362/190

2010/0090613 A1 4/2010 Spartano

2015/0267882 A1 9/2015 O'Brien

2016/0381755 A1 12/2016 Qiu

2020/0018449 A1 1/2020 Christensen

2020/0400302 A1 12/2020 Zhu et al.

FOREIGN PATENT DOCUMENTS

CN 305246246 \* 7/2019

EM 006496618-0001 5/2019

GB 5000659 11/2015

JP D1424946 \* 10/2011

OTHER PUBLICATIONS

“Stylus Pen,” Aug. 23, 2017, amazon.com, site visited Jul. 14, 2021, URL: [https://www.amazon.com/Multi-Function-Capacitive-Touchscreen-Flashlight-Multi-Color/dp/B07534MVYZ/ref=sr\\_1\\_44?dchild=1&keywords=ergonomic+pen+light&qid=1626350304&sr=8-44](https://www.amazon.com/Multi-Function-Capacitive-Touchscreen-Flashlight-Multi-Color/dp/B07534MVYZ/ref=sr_1_44?dchild=1&keywords=ergonomic+pen+light&qid=1626350304&sr=8-44) (Year: 2017).\*

(56)

**References Cited**

## OTHER PUBLICATIONS

“Lumen Penlight,” Jun. 8, 2018 (review), [amsterdamprinting.com](https://www.amsterdamprinting.com/p/lumen-penlight?id=43984#pd_reviews), site visited Jul. 14, 2021, URL: [https://www.amsterdamprinting.com/p/lumen-penlight?id=43984#pd\\_reviews](https://www.amsterdamprinting.com/p/lumen-penlight?id=43984#pd_reviews) (Year: 2018).\*

Energizer Hard Case Professional Light, [online], [site visited Nov. 13, 2020], [Available from Internet], URL: [https://www.annazon.com/Energizer-Hard-Case-Professional-Light/dp/B000R8J8CQ?ref=ast\\_sto\\_dp&th=1&psc=1](https://www.annazon.com/Energizer-Hard-Case-Professional-Light/dp/B000R8J8CQ?ref=ast_sto_dp&th=1&psc=1)> 5 pages (Year: 2007).

amazon.com, “Eveready LED Economy 1D Size Flashlight with Battery (2 Pack)”, 8 pages, [retrieved from the Internet Feb. 1, 2021] <URL: <https://www.amazon.com/Eveready-Economy-Size-Flashlight-Battery/dp/B004PZPB2I>>.

doitbest.com, “Energizer 400 Lm. LED 2AA Flashlight”, 3 pages [retrieved from the Internet Sep. 24, 2020] <URL: <https://www.doitbest.com/shop/electrical/batteries-and-flashlights/flashlights-and-lanterns/led-flashlight/energizer-400-Inn-led-2aa-flashlight?SKU=802040>>.

gadgetworld2u.com, “Energizer TAC 1000 6AA 1000L Tactical LED Flashlight PMHT61”, 8 pages, [retrieved from the Internet Feb. 1, 2021] <URL: <https://www.gadgetworld2u.com/energizer-tac-1000-6aa-1000l-led-flashlight-pmht61>>.

manualzz.com, “Energizer Product Sheet, LED Grip-It (2AA) GPHH21”, 2 pages, [retrieved from the Internet Feb. 1, 2021], <URL: <https://manualzz.com/doc/31285241/led-grip-it--2aa----energie-distribution>>.

suntos.com.my, “Eveready One Led Light GPHH25 Included 2 X D Batteries”, 15 pages, [retrieved from the Internet Feb. 1, 2021], <URL: <http://Suntos.com.my/v1/product/eveready-one-led-light-gphh25-included-2-x-d-batteries/?v=7516fd43adaa>>.

energizer.com: Performance Metal Inspection Light. Undated online product page. Retrieved on Sep. 24, 2020 from <<https://www.energizer.com/flashlights-lighting/energizer-performance-metal-inspection-light>> (Year: 2020).

amazon.com: Energizer LED Pen Light. Date uploaded: Jan. 13, 2020 [site visited Sep. 24, 2020]. Retrieved from internet: <[https://www.annazon.com/dp/B083T6C7DK?tag=price17305-20&ascsubtag=wtbs\\_5f6cda009bce145cf8b6287b](https://www.annazon.com/dp/B083T6C7DK?tag=price17305-20&ascsubtag=wtbs_5f6cda009bce145cf8b6287b)> (Year: 2020).

ebay.com: Energizer LED Pen Light, Aircraft-Grade Aluminum Body. Undated online product page. Retrieved on Sep. 24, 2020 from <<https://www.ebay.com/i/124250146708?chn=ps&norover=1&nnkevt=1&nnkrid=711-117182-37290-0&nnkcid=2&itennid=124250146708&targetid=935694488066&device=...>> (Year: 2020).

“Coast HP1 190 Lumen Pure Beam Focusing LED Flashlight,” Feb. 12, 2014, amazon.com, retrieved on Jun. 3, 2021, URL: [https://www.amazon.com/COAST-Lumen-Pure-Focusing-Flashlight/dp/B00IEMUOWU/ref=sr\\_1\\_136?crd=2IX2UPMAO4DEF&dchild=1&keywords=surefire+flashlights&qid=1622772444&srefix=surefire%2Caps%2C173&sr=8-136](https://www.amazon.com/COAST-Lumen-Pure-Focusing-Flashlight/dp/B00IEMUOWU/ref=sr_1_136?crd=2IX2UPMAO4DEF&dchild=1&keywords=surefire+flashlights&qid=1622772444&srefix=surefire%2Caps%2C173&sr=8-136) (Year: 2014).

“Energizer LED Tactical Metal Flashlight,” Apr. 4, 2019, amazon.com, retrieved on Jun. 4, 2021, URL: <https://www.amazon.com/Energizer-Tactical-Flashlight-Aircraft-Grade-Water-Resistant/dp/B07QD4X194> (Year: 2019).

“Streamlight 88065 Pro Tac,” Feb. 11, 2017, amazon.com, retrieved on Jun. 3, 2021, URL: <https://www.amazon.com/Streamlight-88065-Professional-Flashlight-Rechargeable/dp/B06VTLLC13/> (Year: 2017).

“Dorcy 4 LED Carabineer Waterproof Flashlight,” Nov. 17, 2016, kmart.com, site visited Jun. 24, 2021, URL: <https://www.kmart.com/dorcy-4-led-carabineer-waterproof-flashlight/p-03493785000P> (Year: 2016), 8 pages.

\* cited by examiner

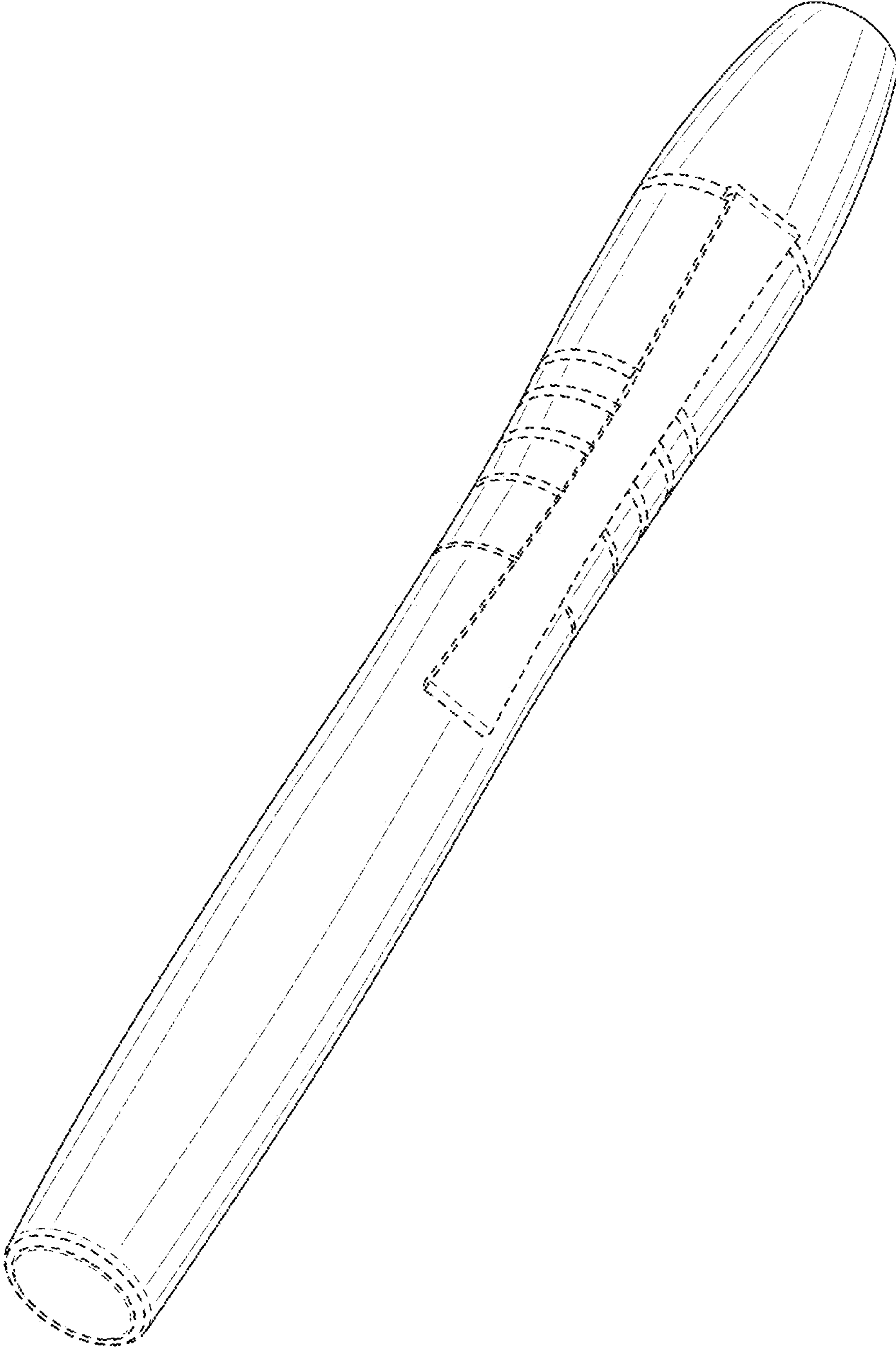


FIG. 1

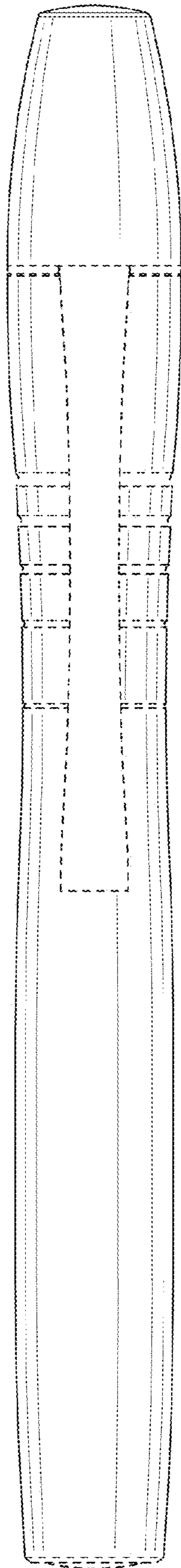


FIG. 2

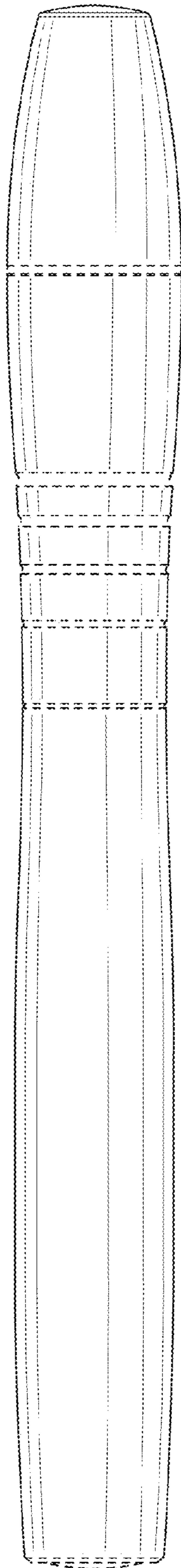


FIG. 3

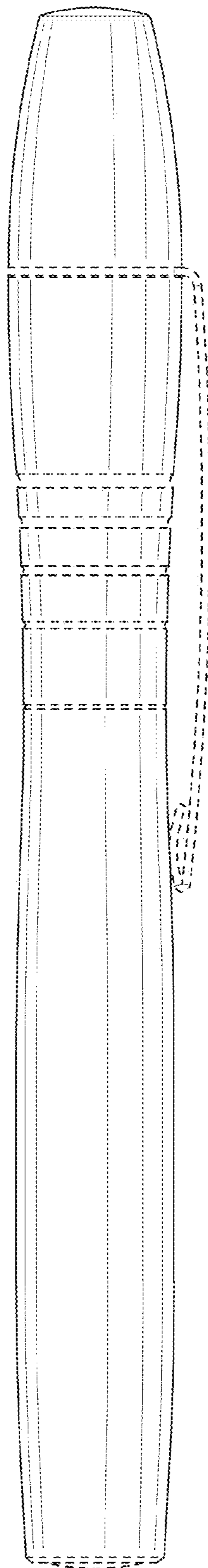


FIG. 4

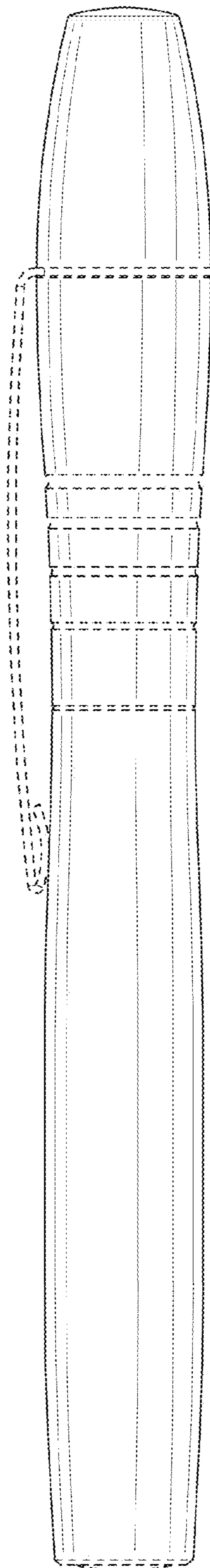


FIG. 5



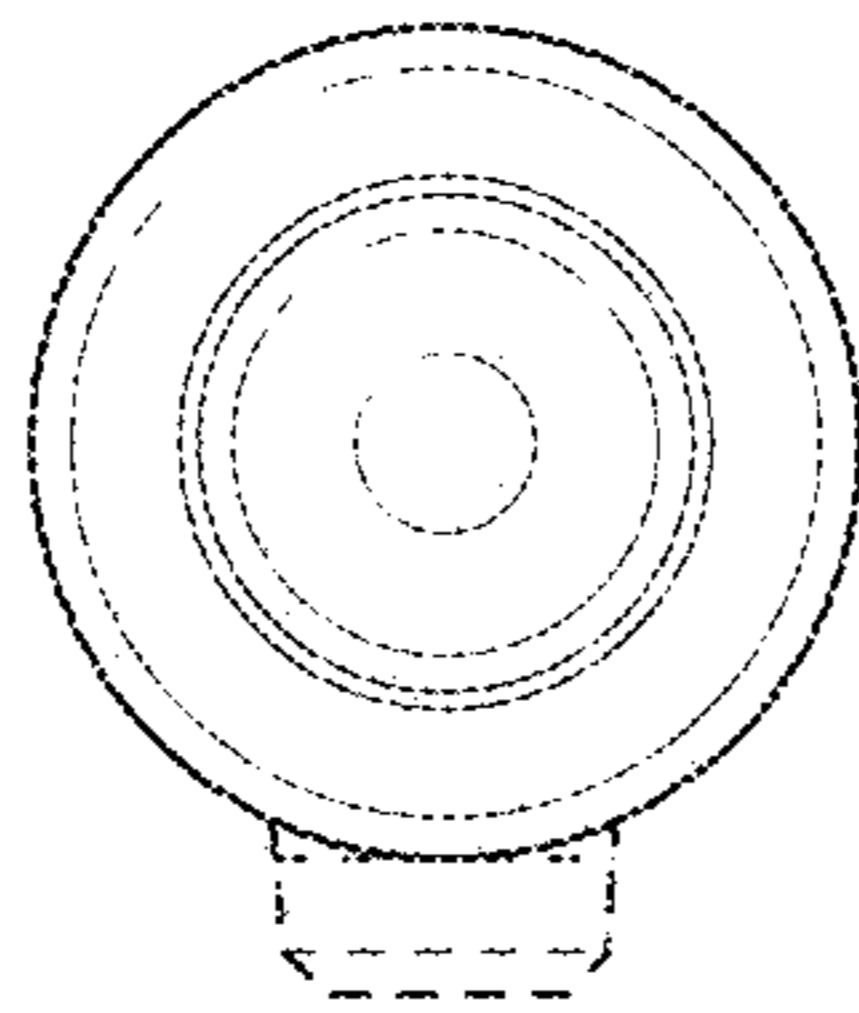


FIG. 6

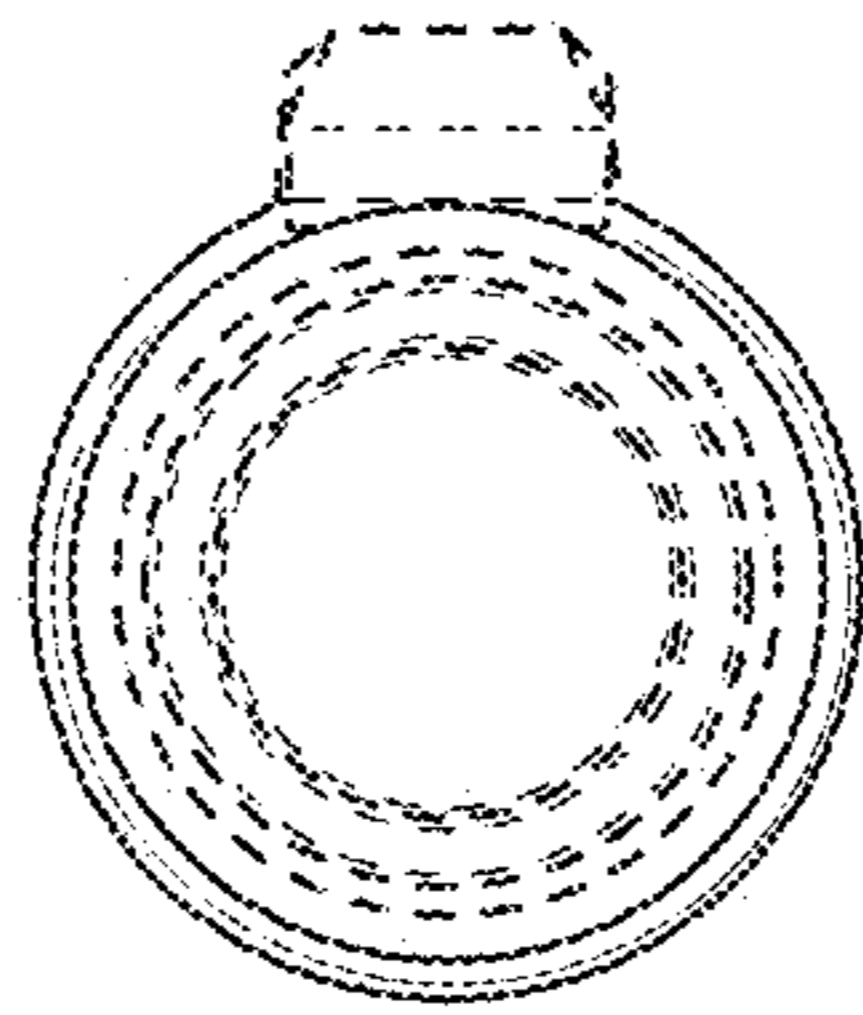


FIG. 7

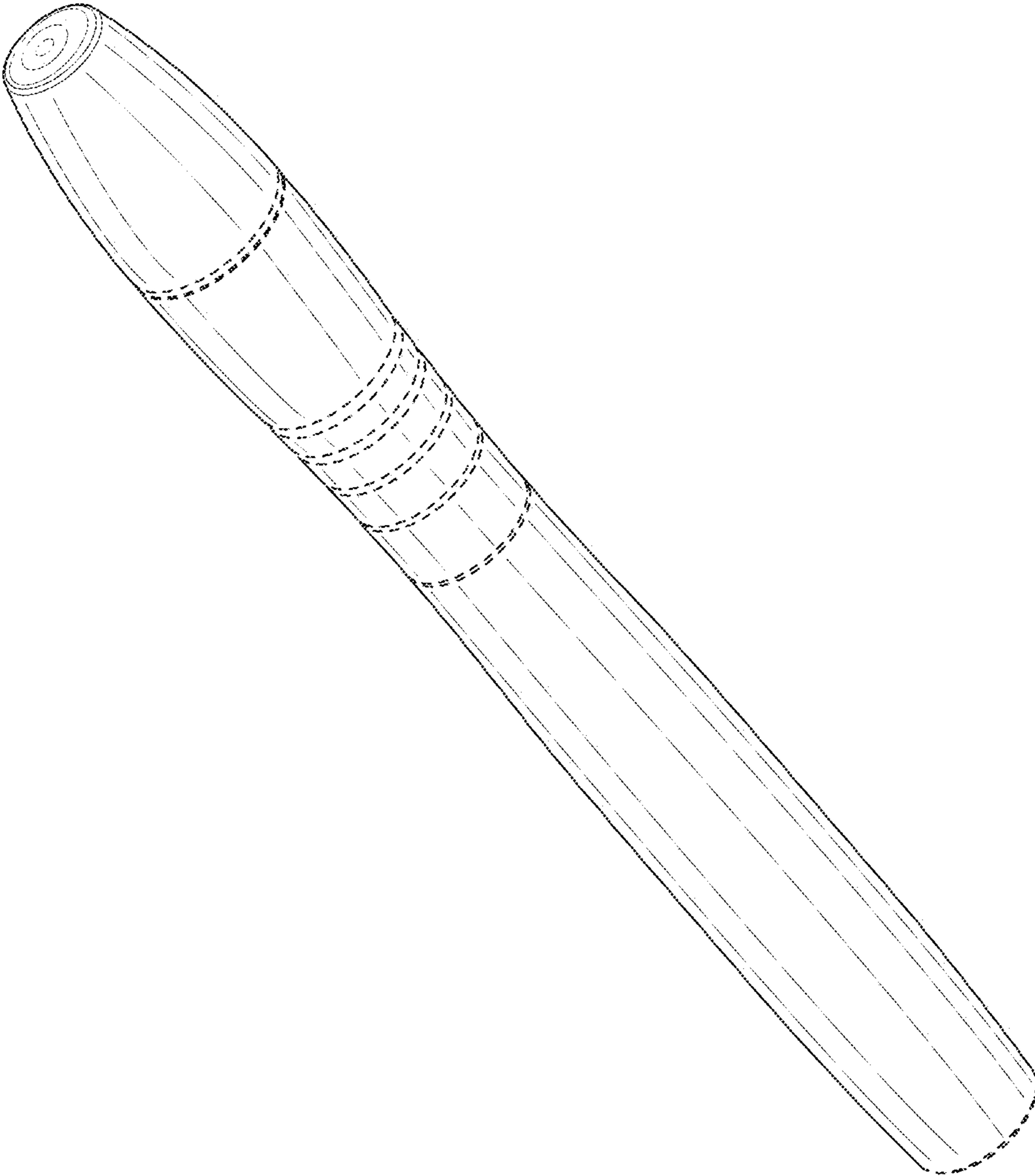


FIG. 8