



US00D937459S

(12) **United States Design Patent** (10) **Patent No.:** **US D937,459 S**
Bennett et al. (45) **Date of Patent:** **** Nov. 30, 2021**

(54) **ILLUMINATED BATON**

FOREIGN PATENT DOCUMENTS

(71) Applicant: **Aervoe Industries, Inc.**, Gardnerville, NV (US)

CN 303456809 * 11/2015
CN 304474448 * 1/2018

(Continued)

(72) Inventors: **Michael J. Bennett**, Genoa, NV (US);
Tyler D. Maggert, Gardnerville, NV (US); **Robert Haelsing**, Minden, NV (US)

OTHER PUBLICATIONS

(73) Assignee: **AERVOE INDUSTRIES, INC.**, Gardnerville, NV (US)

“Aervoe LED Baton Road Flare,” Jan. 19, 2011, amazon.com, site visited Jun. 15, 2021, URL: <https://www.amazon.com/Aervoe-LED-Baton-Road-Flare/dp/B004JQENXG?th=1> (Year: 2011).*

(**) Term: **15 Years**

“EMI Flashback Five XL LED Light Baton,” Feb. 25, 2015 (review), theemsstore.com, site visited Jun. 15, 2021, URL: <https://www.theemsstore.com/store/product.aspx/productId/1498/EMI-Flashback-Five-XL-LED-Light-Baton/> (Year: 2015).*

(21) Appl. No.: **29/696,638**

(Continued)

(22) Filed: **Jun. 28, 2019**

(51) **LOC (13) Cl.** **26-02**

Primary Examiner — Eric L Goodman

(52) **U.S. Cl.**

Assistant Examiner — Sarah L Smith

USPC **D26/46**; D26/37

(74) *Attorney, Agent, or Firm* — Martensen IP; Chad G. Clark

(58) **Field of Classification Search**

USPC D26/37-44, 46-52; D14/137, 138 AA, D14/186, 204, 225; D10/109.1, 111-115

CPC F21Y 2115/10; F21Y 2113/13; F21Y 2113/00; F21L 4/027; F21L 4/005; F21L 4/045; F21L 4/085; F21L 4/00; F21L 4/02; F21L 14/02; F21V 23/0414; F21V 21/0885

(57) **CLAIM**

See application file for complete search history.

The ornamental design for an illuminated baton, as shown.

(56) **References Cited**

DESCRIPTION

U.S. PATENT DOCUMENTS

D495,077 S * 8/2004 Chau D26/49
D495,078 S * 8/2004 Galli F21V 21/0885
D26/49
D520,166 S * 5/2006 Galli D26/49
D553,282 S * 10/2007 Zhu D26/49
D606,218 S * 12/2009 Jiang D26/42
D626,671 S * 11/2010 Bertken D26/37
D650,932 S * 12/2011 Wilson D26/37
D687,987 S * 8/2013 Ancona D26/46
8,579,460 B2 11/2013 Wilson et al.
D728,139 S * 4/2015 Wang G02B 6/0006
D26/49

FIG. 1 is a perspective view of an illuminated baton showing the new design;

FIG. 2 is a front view thereof;

FIG. 3 is a rear view thereof;

FIG. 4 is a top view thereof;

FIG. 5 is a bottom view thereof;

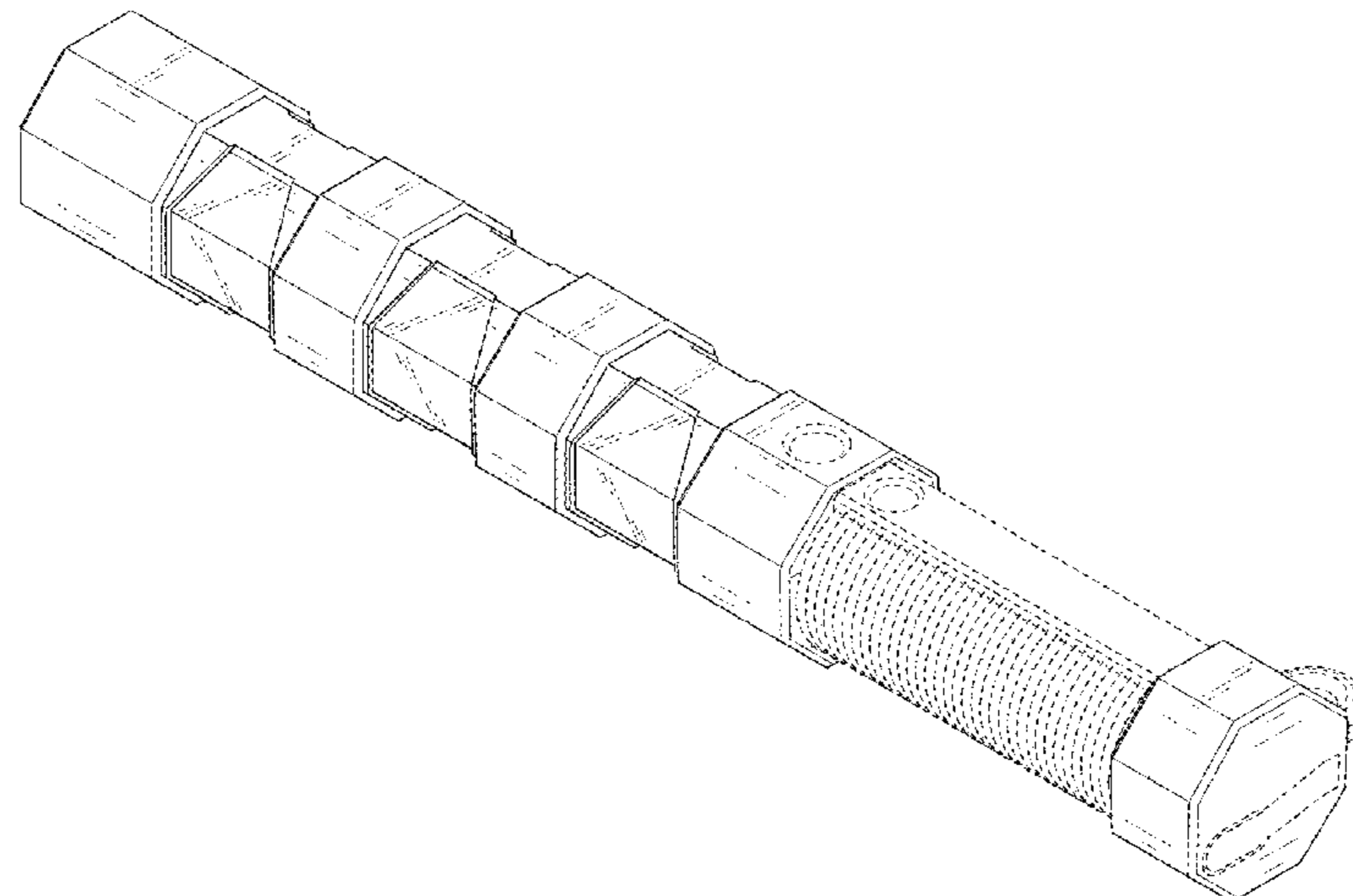
FIG. 6 is a left side view thereof; and,

FIG. 7 is a right side view thereof.

The broken lines in the above described Figures are for illustrative purposes only and form no part of the claimed design.

(Continued)

1 Claim, 6 Drawing Sheets



(56)

References Cited

U.S. PATENT DOCUMENTS

D740,149 S * 10/2015 Talamo D10/114.9
D767,186 S * 9/2016 Shiu D26/49
D796,366 S * 9/2017 Talamo F21V 31/005
D10/114.9
D818,165 S * 5/2018 Lu D26/42
D900,368 S * 10/2020 Petrucelli F21V 15/01
D26/49
2007/0121332 A1* 5/2007 Liu G02B 6/0006
362/459
2009/0147506 A1* 6/2009 Robinson F21V 21/0885
362/190
2012/0236548 A1* 9/2012 Wilson F21L 4/005
362/183
2014/0198492 A1* 7/2014 Wang F21V 15/01
362/158
2016/0018071 A1* 1/2016 Sharrah F21V 21/0885
362/184
2017/0138587 A1* 5/2017 Lu F21V 31/005

FOREIGN PATENT DOCUMENTS

GB 4032516 * 12/2013
WO D097533-001 * 11/2017

OTHER PUBLICATIONS

“Introducing the Big Ass Light Bar,” Dec. 7, 2016, youtube.com,
site visited Jun. 15, 2021, URL: https://www.youtube.com/watch?v=_w3uA9-LS-A (Year: 2016).*

* cited by examiner

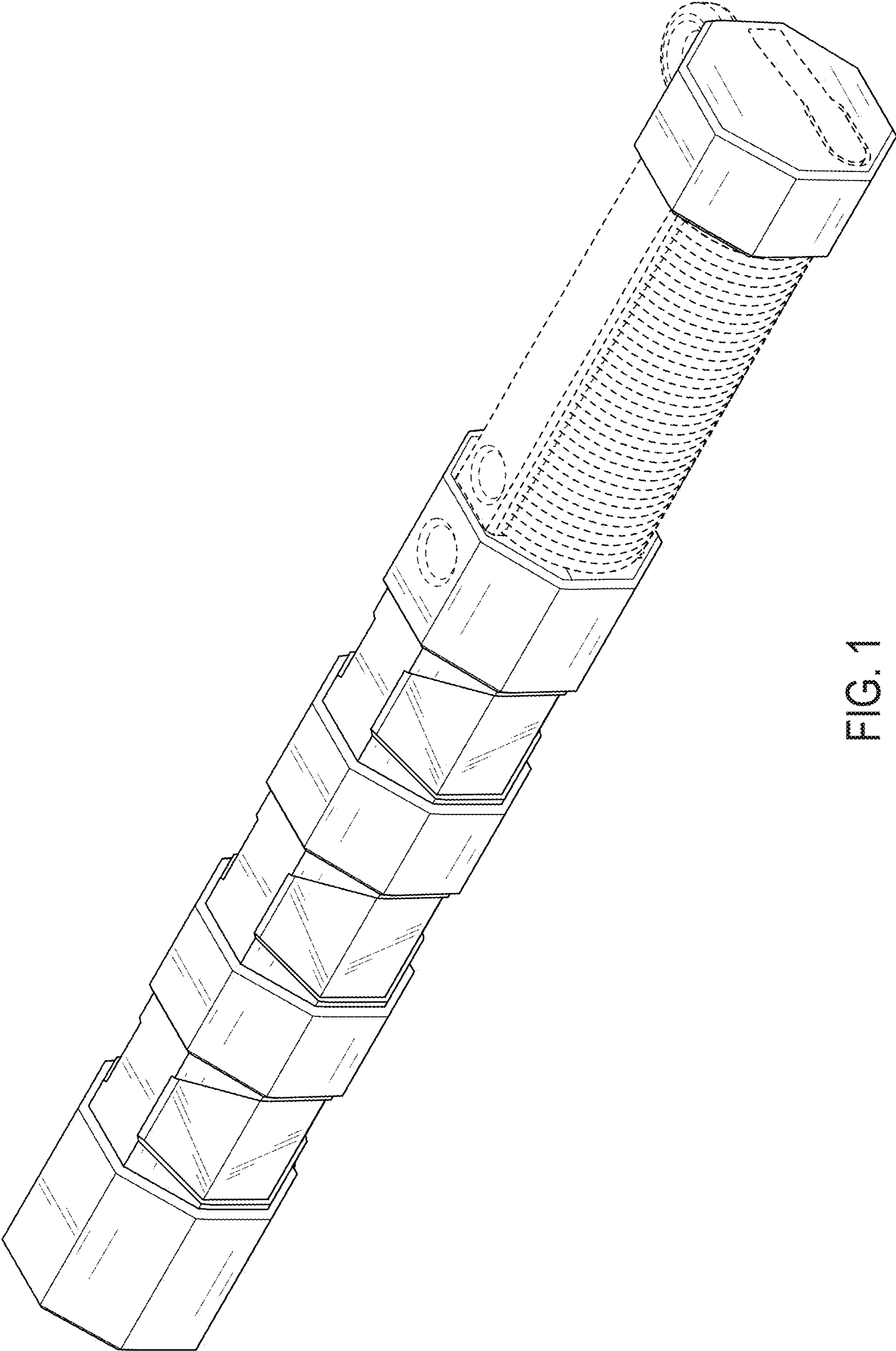


FIG. 1

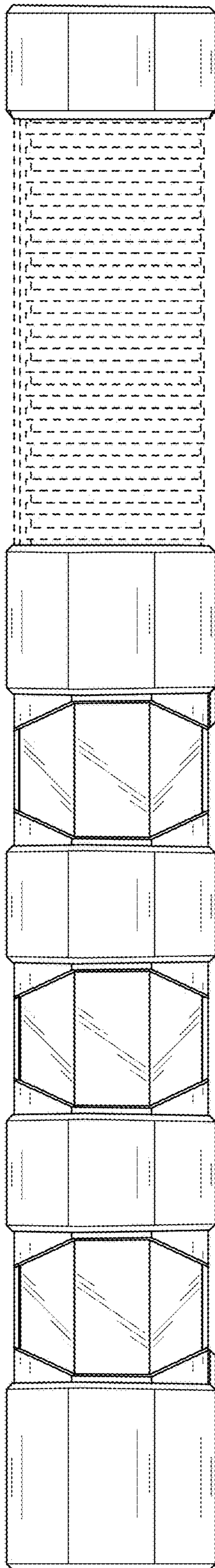


FIG. 2

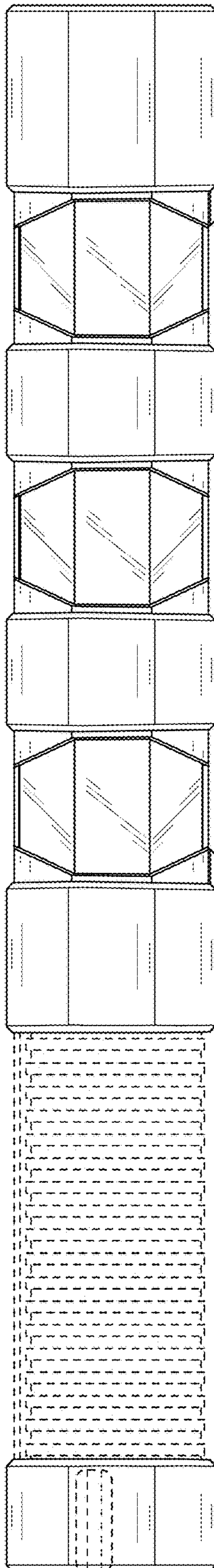


FIG. 3

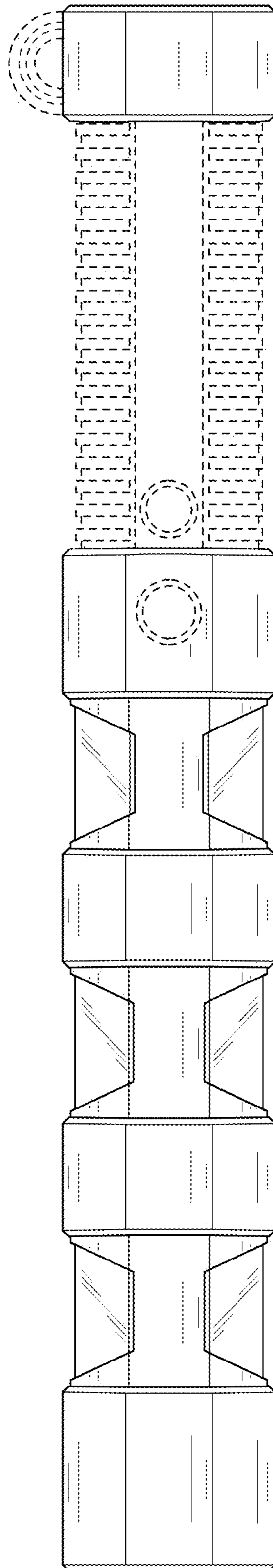


FIG. 4

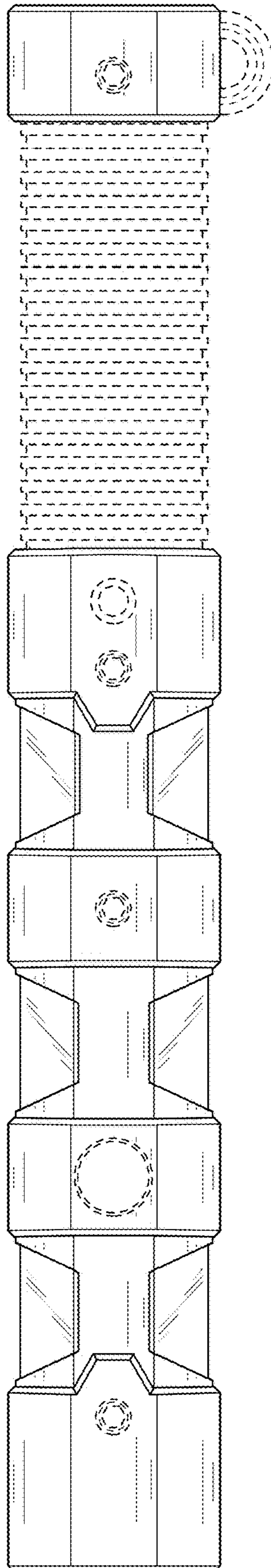


FIG. 5

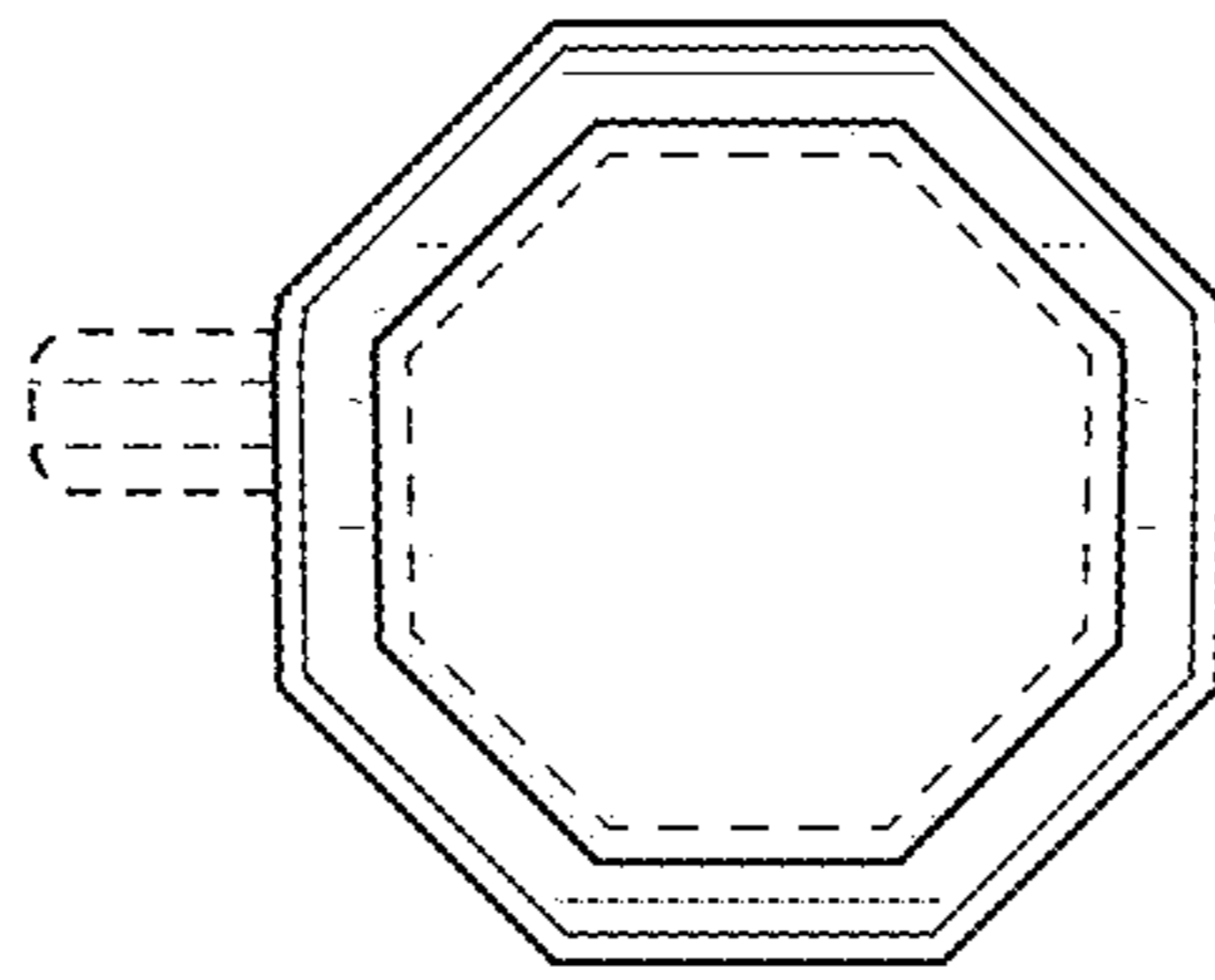


FIG. 6

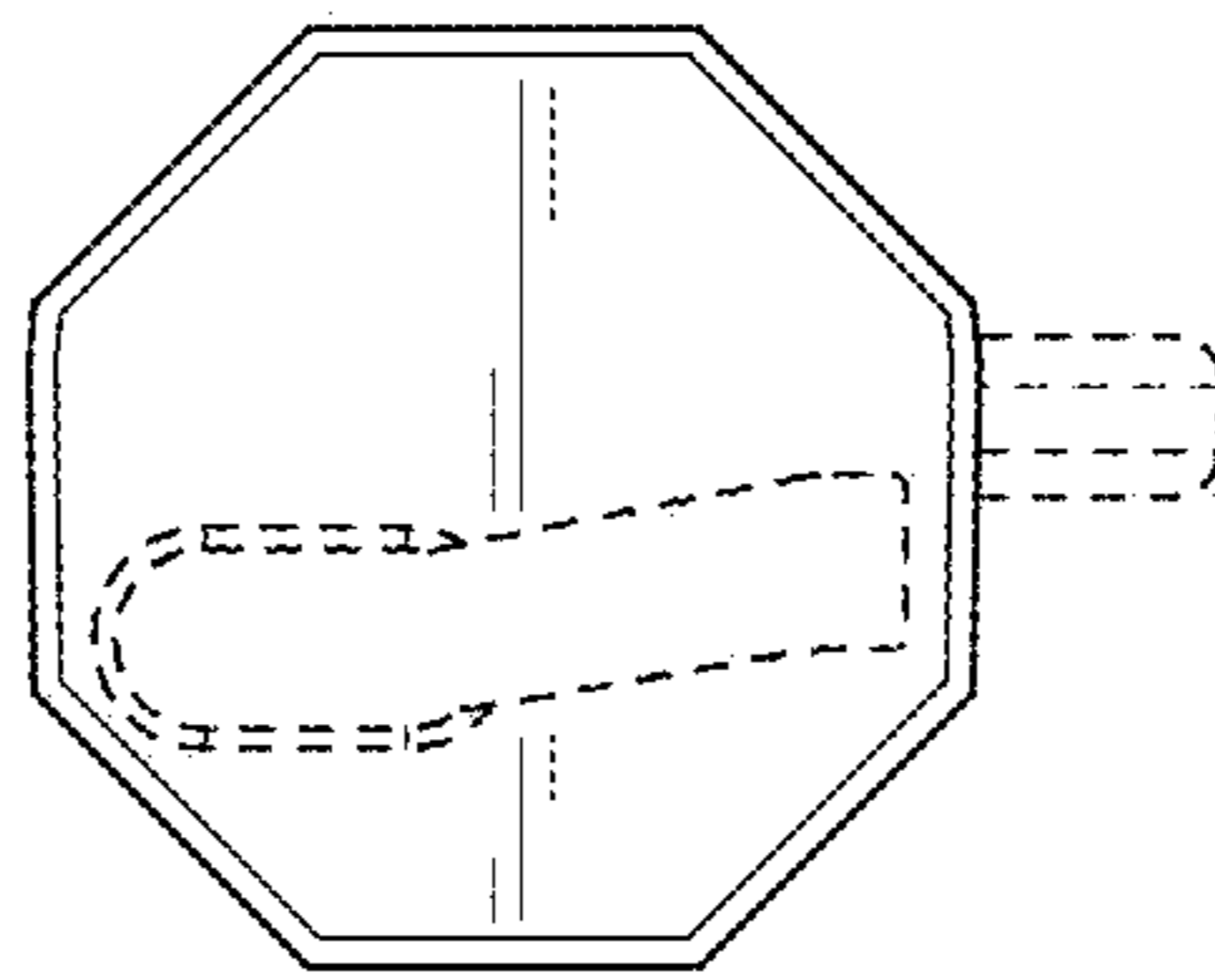


FIG. 7