



US00D937458S

(12) **United States Design Patent**  
**Wu**

(10) **Patent No.:** **US D937,458 S**  
(45) **Date of Patent:** **\*\* Nov. 30, 2021**

(54) **NECK BOOK LIGHT**

(71) Applicant: **Manchuan Wu**, Guangdong (CN)

(72) Inventor: **Manchuan Wu**, Guangdong (CN)

(\*\*) Term: **15 Years**

(21) Appl. No.: **29/696,095**

(22) Filed: **Jun. 25, 2019**

(51) **LOC (13) Cl.** ..... **26-02**

(52) **U.S. Cl.**  
USPC ..... **D26/39; D26/37**

(58) **Field of Classification Search**  
USPC ..... D26/37-44, 46-52; D10/109.1, 111-115  
CPC ..... F21Y 2103/10; F21Y 2107/20; F21Y  
2107/70; F21L 4/02; F21L 4/04; F21V  
21/145; F21V 21/26; F21V 21/32; F21V  
23/0414  
See application file for complete search history.

(56) **References Cited**

**U.S. PATENT DOCUMENTS**

- D387,457 S \* 12/1997 Bennett ..... D26/62
- D479,888 S \* 9/2003 Sharrah ..... F21V 21/145  
D26/37
- D571,942 S \* 6/2008 Christianson ..... D26/39
- D623,783 S \* 9/2010 Christianson ..... D26/39
- D673,710 S \* 1/2013 Eichelberger ..... D26/62
- D699,875 S \* 2/2014 Christianson ..... D26/39
- 9,546,779 B2 \* 1/2017 Rementer ..... F21V 21/084
- D871,257 S \* 12/2019 Cacciabeve ..... D12/39
- D871,636 S \* 12/2019 Cacciabeve ..... D26/39
- D893,767 S \* 8/2020 Hui ..... D26/25
- D923,834 S \* 6/2021 Ying ..... F21V 21/32  
D26/39
- D931,510 S \* 9/2021 Lu ..... D26/39
- 2003/0210543 A1 \* 11/2003 Sharrah ..... F21V 21/32  
362/187
- 2005/0007778 A1 \* 1/2005 Lin ..... F21V 21/32  
362/249.07
- 2020/0109841 A1 \* 4/2020 Cacciabeve ..... F21V 21/145

(Continued)

**FOREIGN PATENT DOCUMENTS**

CN 302512090 \* 7/2013  
CN 208770801 U \* 4/2019  
EM 004163012-0001 \* 9/2017

(Continued)

**OTHER PUBLICATIONS**

“Read Books at Night with the Flexible Rechargeable LED Neck Reading Light by Luxjet,” Feb. 2, 2018, youtube.com, site visited Jul. 28, 2021, URL: <https://www.youtube.com/watch?v=JVROr3rFL6A> (Year: 2018).\*

(Continued)

*Primary Examiner* — Eric L Goodman

*Assistant Examiner* — Sarah L Smith

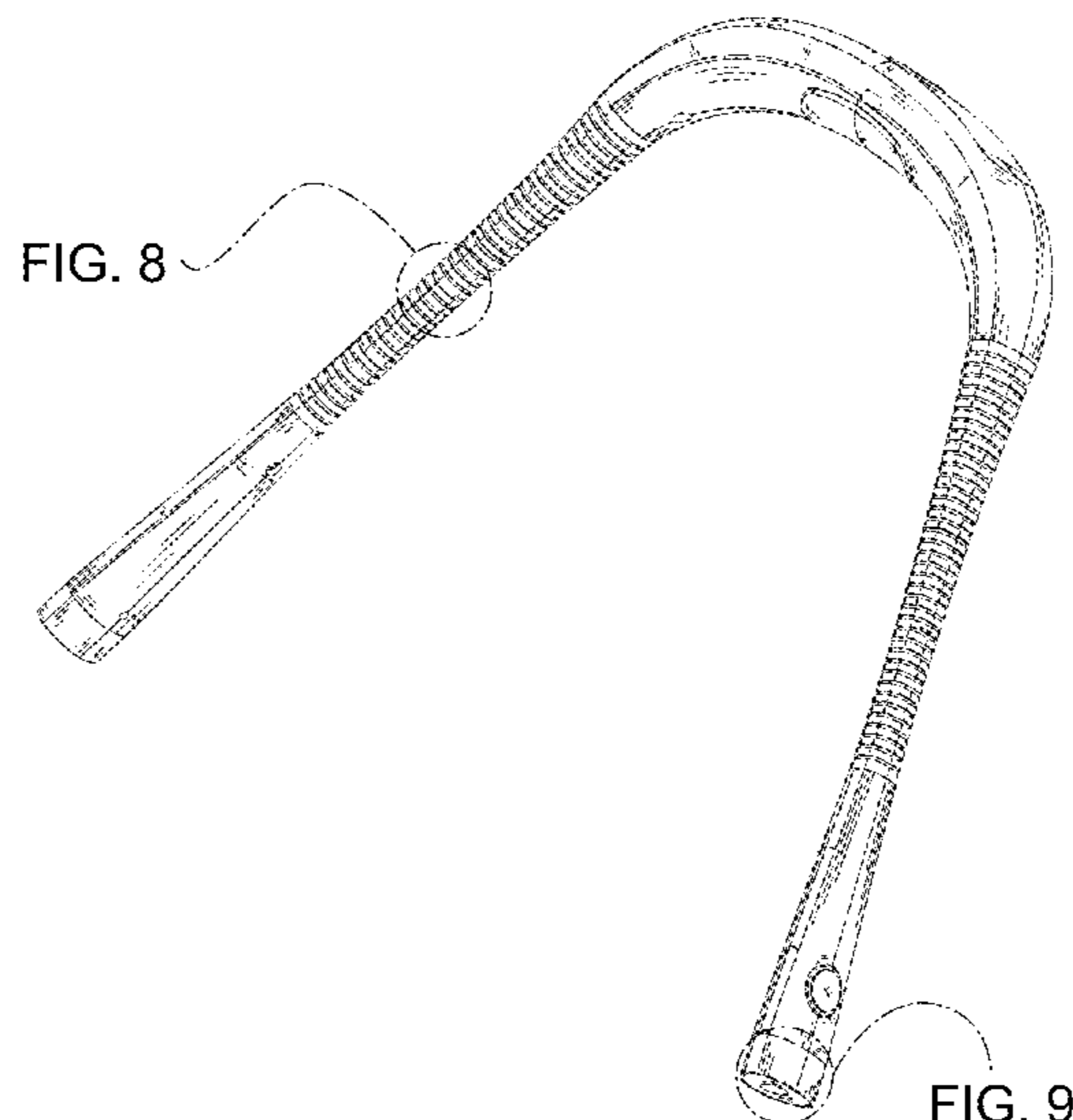
(57) **CLAIM**

The ornamental design for a neck book light, as shown and described.

**DESCRIPTION**

FIG. 1 is a perspective view of the neck book light showing my new design;  
FIG. 2 is a front elevational view thereof;  
FIG. 3 is a rear elevational view thereof;  
FIG. 4 is a left side elevational view thereof;  
FIG. 5 is a right side elevational view thereof;  
FIG. 6 is a top plan view thereof; and  
FIG. 7 is a bottom plan view thereof;  
FIG. 8 is an enlargement detail view of FIG. 1; and,  
FIG. 9 is an enlargement detail view of FIG. 1.  
The broken line showing of enlargement indicia in FIGS. 8 and 9 is shown for the purpose of illustrating the bounds of the enlargement and forms no part of the claimed design.

**1 Claim, 9 Drawing Sheets**



(56)

**References Cited**

U.S. PATENT DOCUMENTS

2020/0408390 A1 \* 12/2020 Cacciabeve ..... F21V 21/145  
2021/0108786 A1 \* 4/2021 Cacciabeve ..... F21L 4/02

FOREIGN PATENT DOCUMENTS

EM 004563682-0001 \* 1/2018  
EM 005620101-0001 \* 9/2018  
JP 2020080204 A \* 5/2020  
KR 2015072927 A \* 6/2015 ..... F21L 4/00

OTHER PUBLICATIONS

“Vekkie Rechargeable LED Book Light,” Mar. 13, 2018, amazon.com, site visited Jul. 28, 2021, URL: <https://www.amazon.com/LuminoLite-Rechargeable-Brightness-Hand-Free-Bookworms/dp/B07BF9CGNX/> (Year: 2018).\*

“Rechargeable 4 LED Book Light Bright Neck Hug Light,” Jun. 3, 2018, amazon.com, site visited Jul. 28, 2021, URL: <https://www.amazon.com/Flexible-Adjustable-Reading-Rechargeable-Yellow/dp/B07DW2PGZY/> (Year: 2018).\*

\* cited by examiner

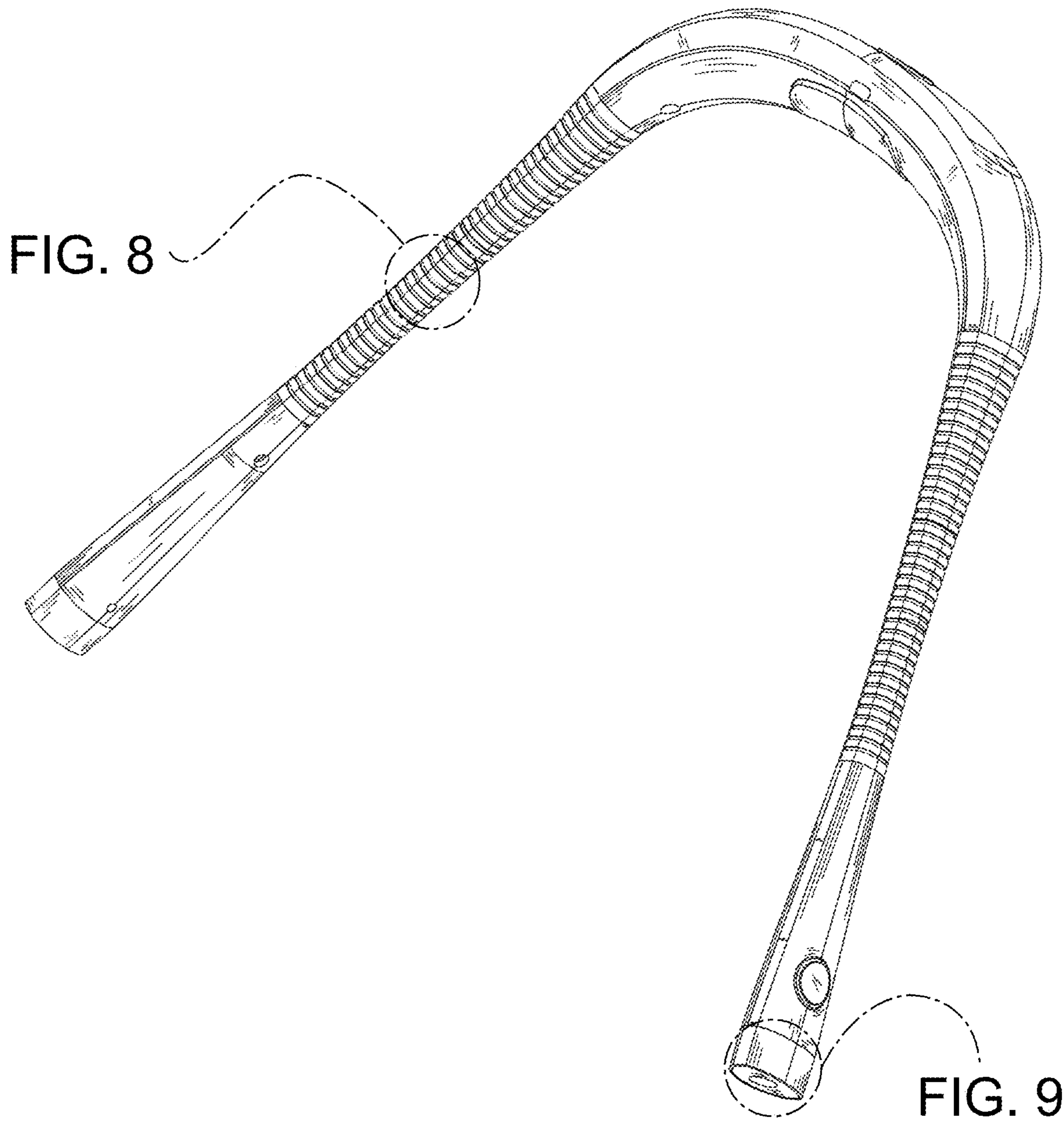


FIG. 1

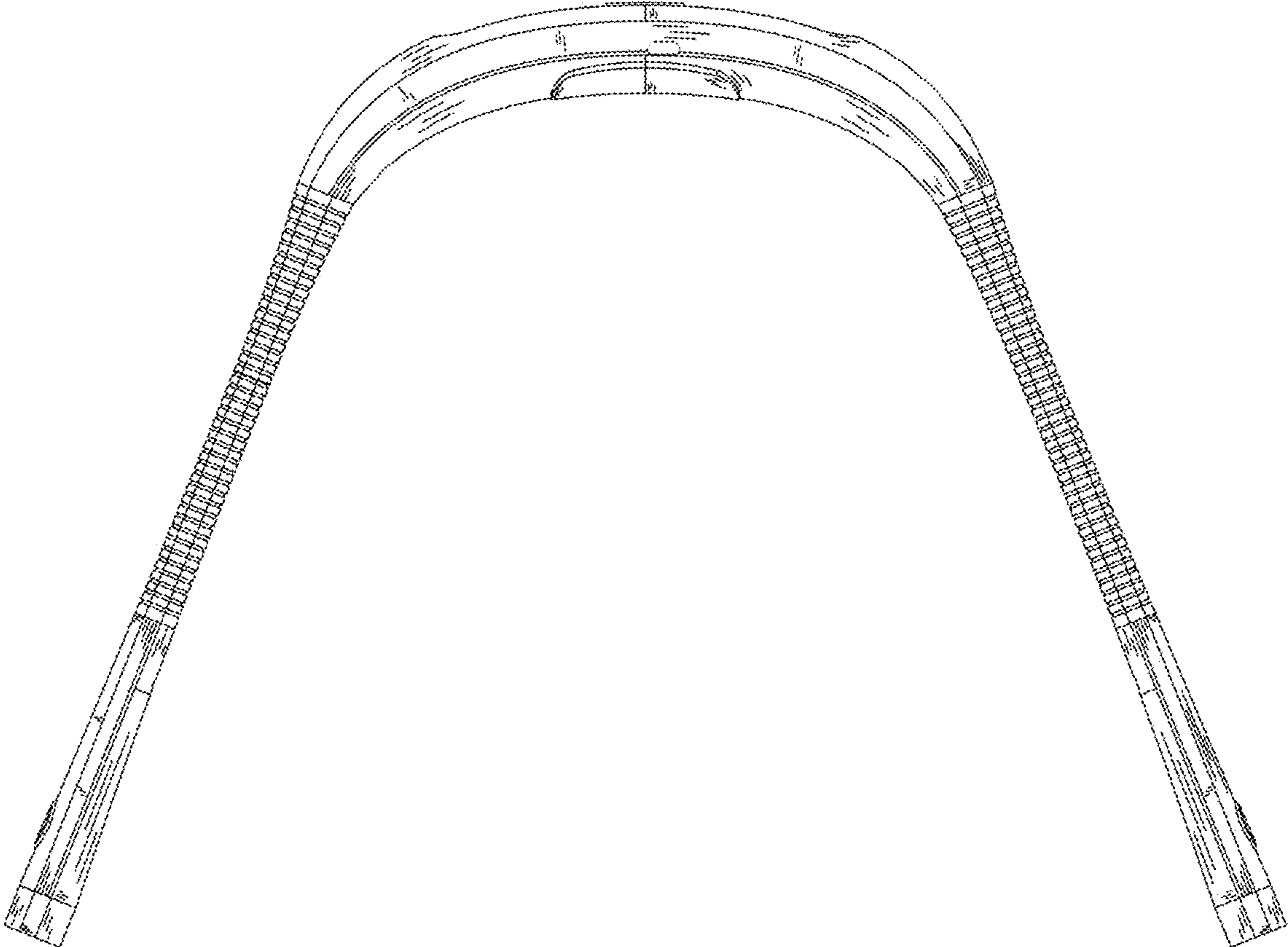


FIG. 2

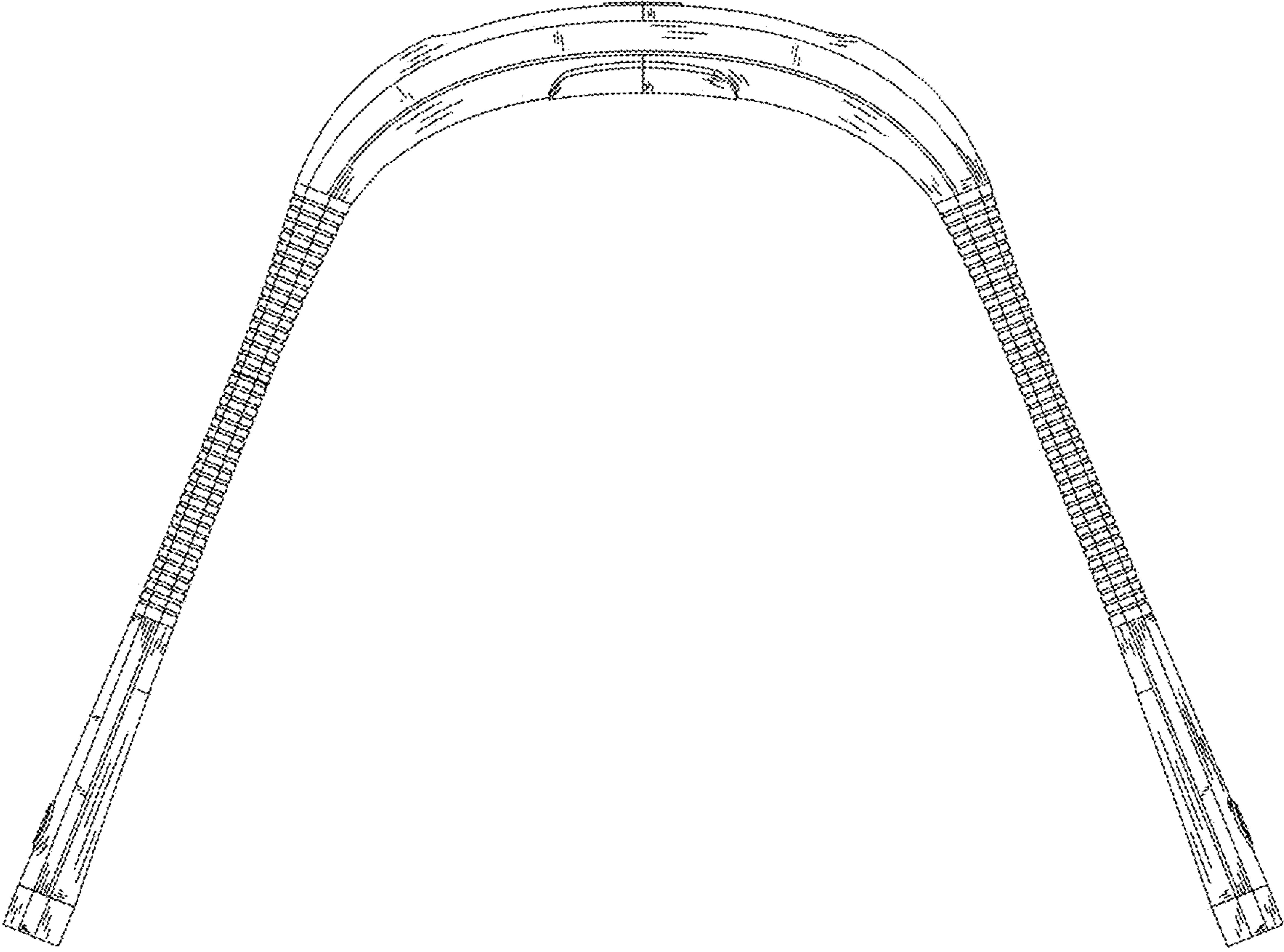


FIG. 3

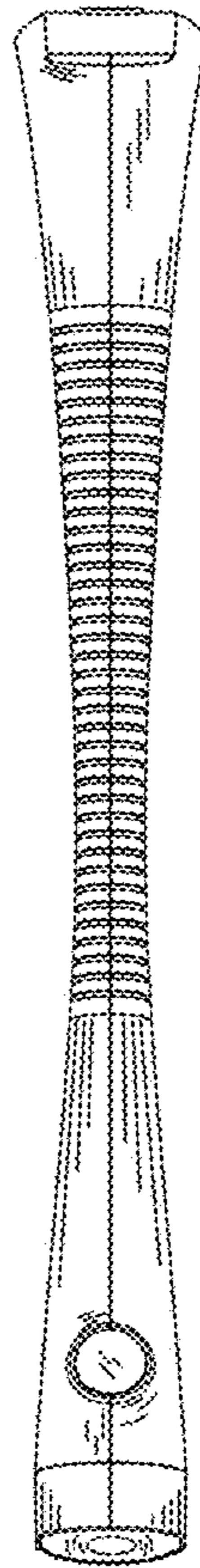


FIG. 4

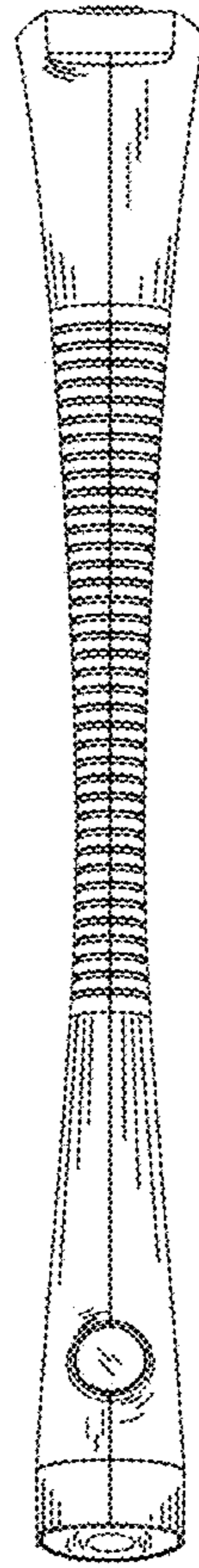


FIG. 5

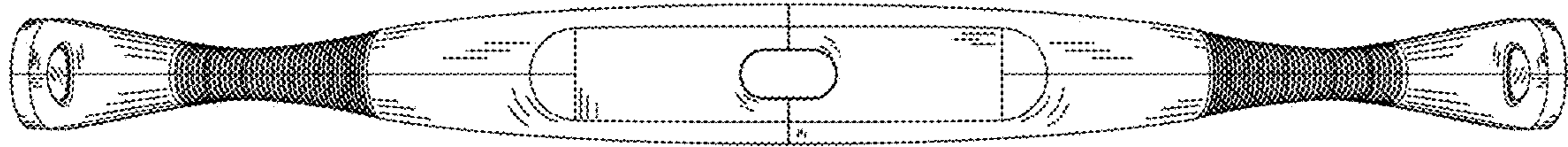


FIG. 6



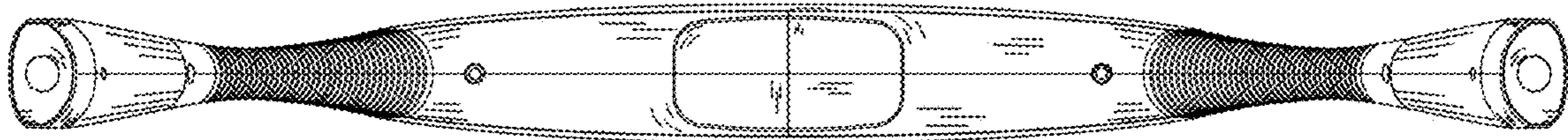


FIG. 7

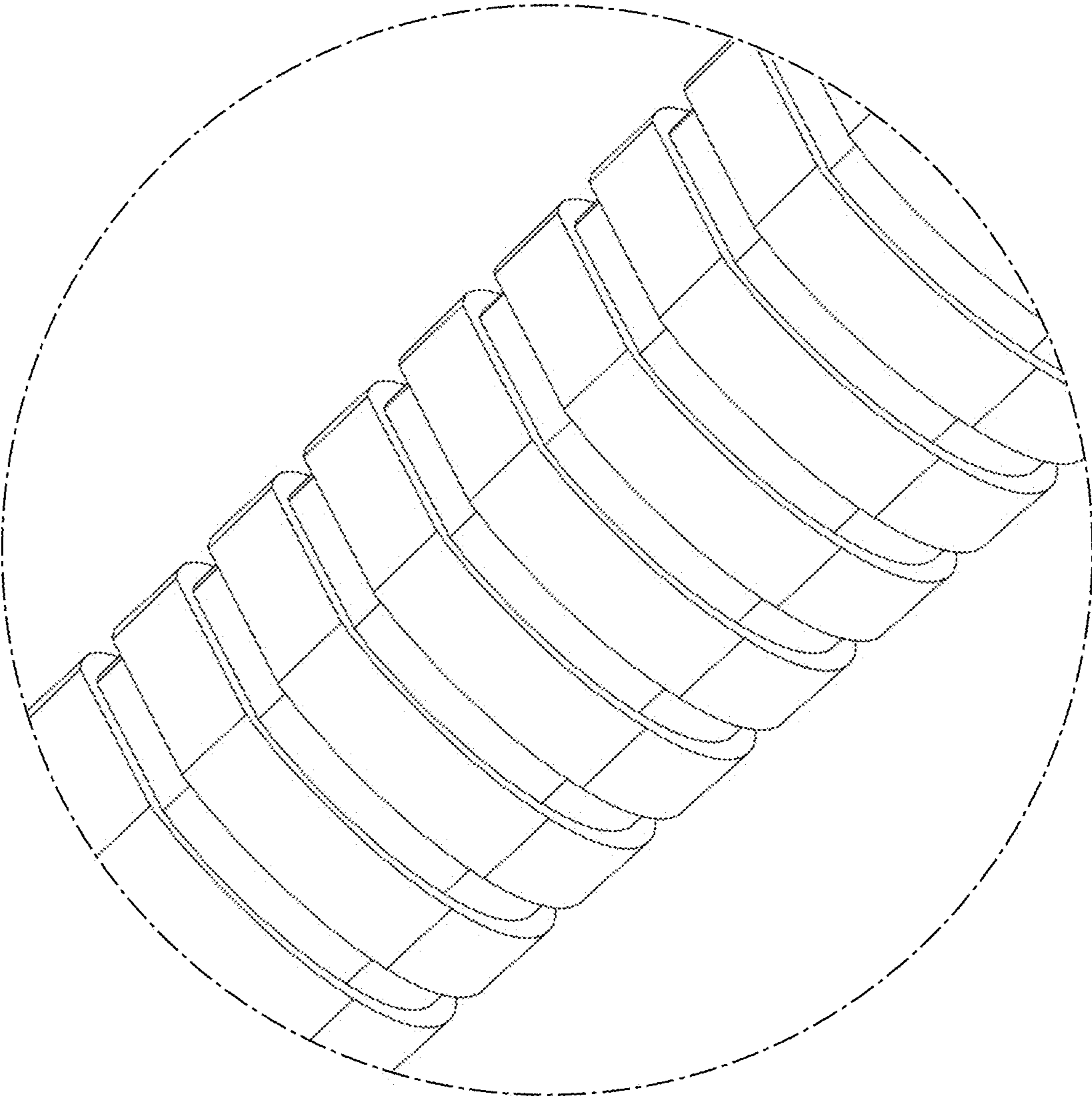


FIG. 8

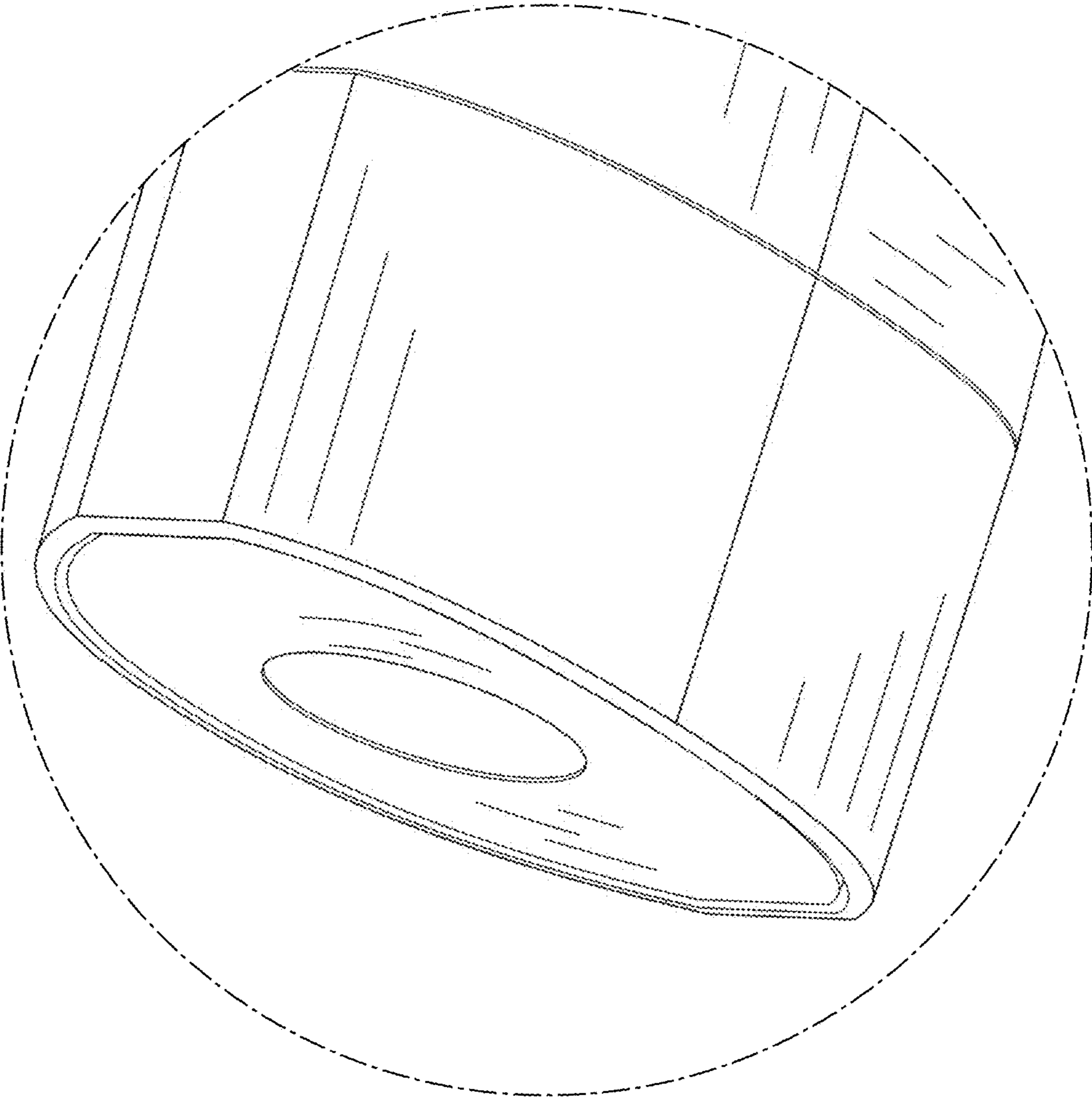


FIG. 9