



US00D937456S

(12) **United States Design Patent**
Lin

(10) **Patent No.:** **US D937,456 S**

(45) **Date of Patent:** **** Nov. 30, 2021**

- (54) **AUTOMOBILE HEADLIGHT**
- (71) Applicant: **Chung-I Lin**, Tainan (TW)
- (72) Inventor: **Chung-I Lin**, Tainan (TW)
- (**) Term: **15 Years**
- (21) Appl. No.: **29/768,613**
- (22) Filed: **Jan. 29, 2021**
- (51) **LOC (13) Cl.** **26-06**
- (52) **U.S. Cl.**
USPC **D26/28**
- (58) **Field of Classification Search**
USPC D26/28-36, 139
CPC F21S 48/00; F21S 48/10; F21S 48/115;
F21S 48/225; F21S 48/1233; F21S
48/1266; F21S 48/1388; F21S 48/2268;
F21V 21/04; F21V 29/004; B60Q 9/13;
B60Q 9/135; B60Q 9/1375
See application file for complete search history.

D869,032 S	12/2019	Conway et al.	
D869,700 S *	12/2019	Lin	D26/28
D870,935 S *	12/2019	Wu	D26/28
D870,936 S	12/2019	Wu	
D874,040 S	1/2020	He	
D874,696 S *	2/2020	He	D26/28
D875,283 S	2/2020	He	
D878,646 S *	3/2020	He	D26/28
D880,737 S	4/2020	Ninov et al.	
D881,426 S	4/2020	Scott et al.	
D882,133 S *	4/2020	Wu	D26/28
D882,134 S	4/2020	Wu	
D884,227 S	5/2020	He	
D887,050 S	6/2020	Lin	

(Continued)

OTHER PUBLICATIONS

<https://alpharexusa.com/product-category/performance-headlights/dodge-ram-performance-headlights-06/?v=f24485ae434a>.

(Continued)

Primary Examiner — Marcus A Jackson
(74) *Attorney, Agent, or Firm* — Alexander Chen, Esq.

(56) **References Cited**
U.S. PATENT DOCUMENTS

D493,552 S	7/2004	Metros et al.	
D602,619 S	10/2009	Krugger et al.	
D641,503 S	7/2011	Krugger et al.	
D689,223 S	9/2013	Lai	
D748,303 S	1/2016	Sato et al.	
D806,289 S	12/2017	Platto et al.	
D806,290 S	12/2017	Platto et al.	
D820,510 S	6/2018	Conway et al.	
D821,026 S	6/2018	Conway et al.	
D841,206 S	2/2019	Yang	
D841,207 S	2/2019	Yang	
D841,877 S	2/2019	Conway et al.	
D848,039 S	5/2019	Conway et al.	
D853,000 S	7/2019	Lin	
D855,849 S	8/2019	Lin	
D863,627 S	10/2019	Lin	
D865,241 S	10/2019	Wu	
D869,022 S *	12/2019	Wu	D26/28

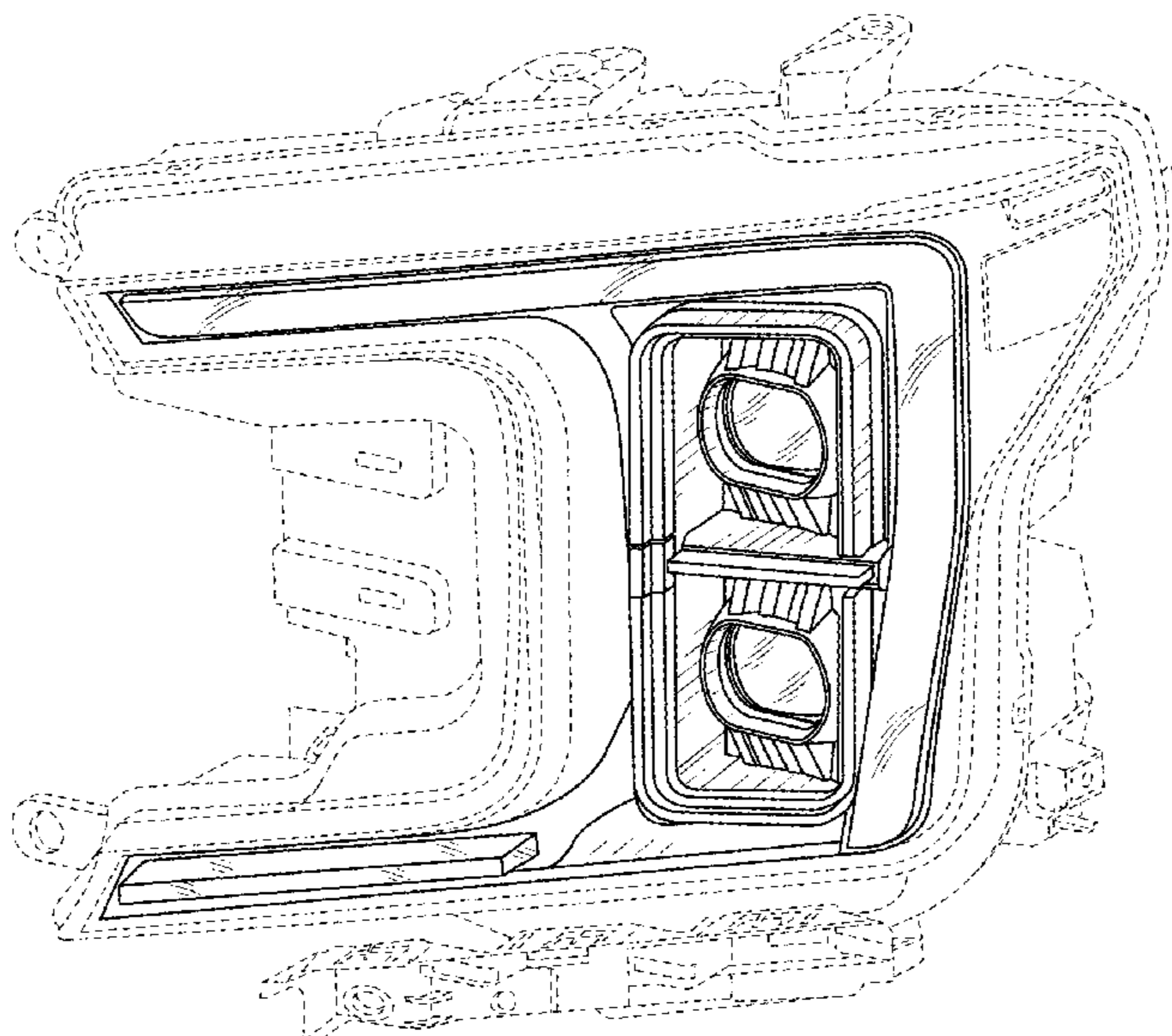
(57) **CLAIM**

The ornamental design for an automobile headlight, as shown and described.

DESCRIPTION

FIG. 1 is a perspective view of an automobile headlight; FIG. 2 is a front view thereof; FIG. 3 is a side view thereof; FIG. 4 is a bottom view thereof; and, FIG. 5 is a top view thereof. Any broken lines are included to show environmental structure and form no part of the claimed design. The drawings and descriptions represent the left side embodiment. The claim is also for a mirror image right side embodiment.

1 Claim, 5 Drawing Sheets



(56)

References Cited

U.S. PATENT DOCUMENTS

D887,595 S 6/2020 Wu
D888,298 S 6/2020 Wu
D889,001 S 6/2020 He
D889,704 S 7/2020 He
D890,386 S 7/2020 Wu
D890,388 S * 7/2020 Wu D26/28
D892,368 S 8/2020 Lin
D893,063 S 8/2020 He
D894,613 S 9/2020 Kaicker
D895,862 S 9/2020 Lin
D896,416 S 9/2020 Lin
D897,010 S 9/2020 Momokawa
D897,013 S 9/2020 Cheng et al.
D899,641 S 10/2020 He
D900,358 S 10/2020 He
D900,359 S 10/2020 He
D903,156 S 11/2020 Platto et al.
D903,157 S 11/2020 Platto et al.
D903,158 S 11/2020 Platto et al.

D903,160 S 11/2020 Zipfel
D903,161 S 11/2020 Zipfel
D903,163 S 11/2020 Choi et al.
D903,166 S 11/2020 Choi et al.
D905,301 S * 12/2020 Wu D26/28

OTHER PUBLICATIONS

https://www.amazon.com/-/zh_TW/ACANII-2005-2011-Projector-Headlights-Headlamps/dp/B07FX66NZM/ref=sr_1_31?dchild=1&keywords=VIPMOTOZ%2B+TACOMA-2005&qid=1588733054&replacementKeywords=vipmotoz%2B&sr=8-31&vehicle-2005-76-1037-----&vehicleName=2005+Toy.
<https://www.walmart.com/ip/For-2004-to-2008-Ford-F150-Lincoln-Mark-LT-LED-DRL-Light-Bar-Projector-Headlight-Black-Housing-Amber-Corner-Headlamp-05-06-07-05-06-07/722692798>.
<https://guyana.desertcart.com/products/149032553-acanii-for-2011-2013-jeep-grand-cherokee-black-switchback-led-drl-sequential-signal-projector-headlights-headlamps-set>.

* cited by examiner

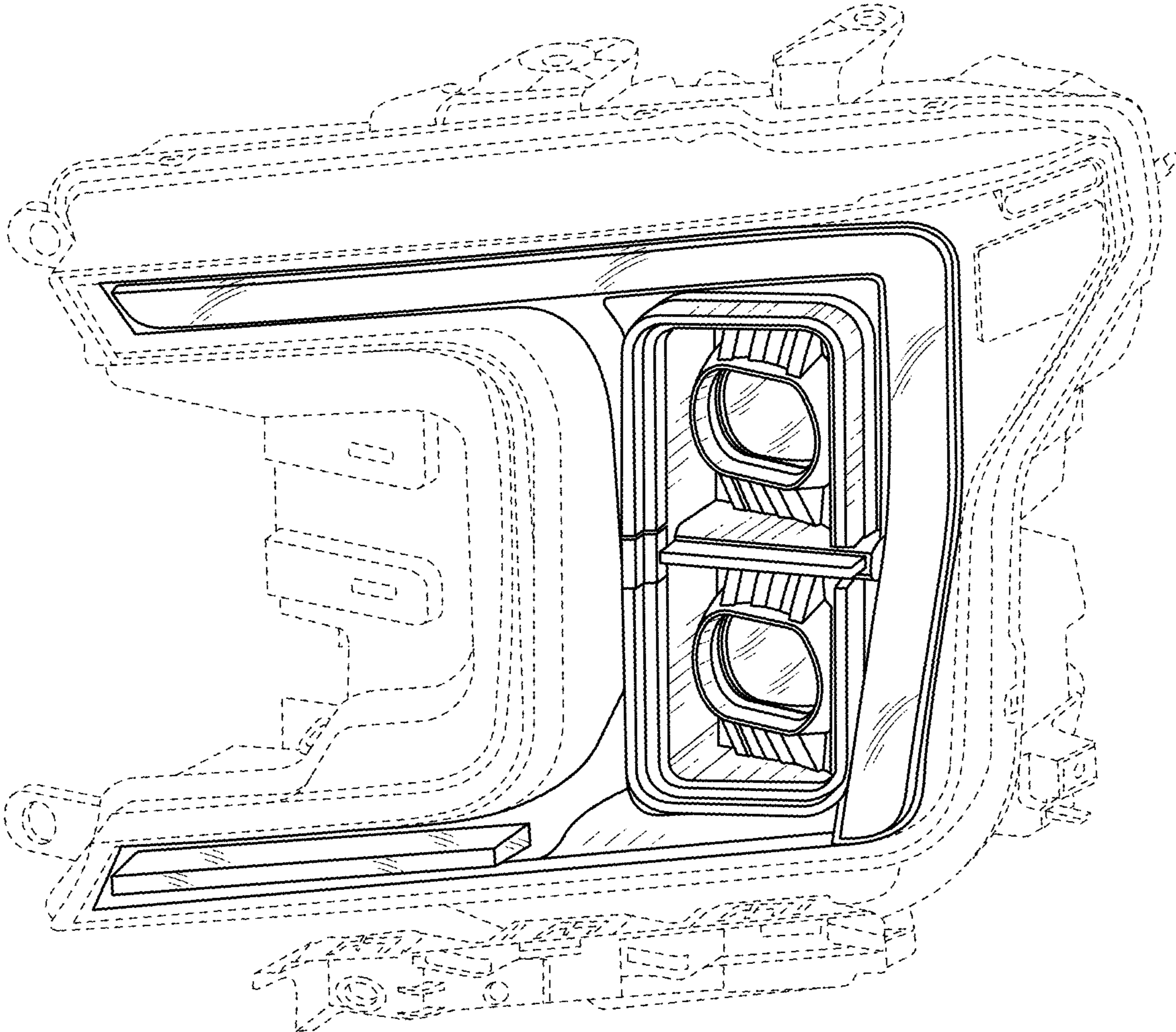


FIG. 1

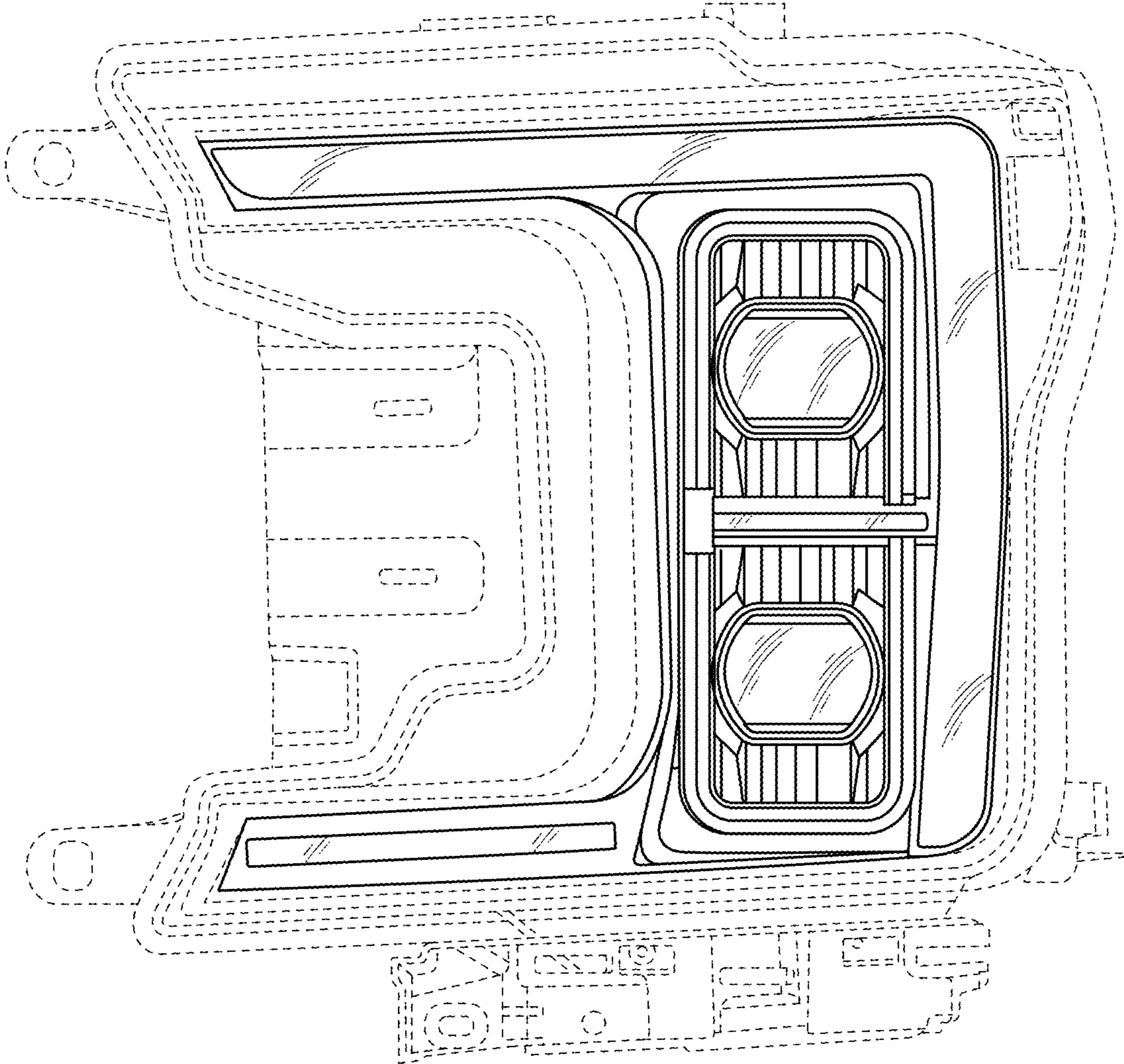


FIG. 2

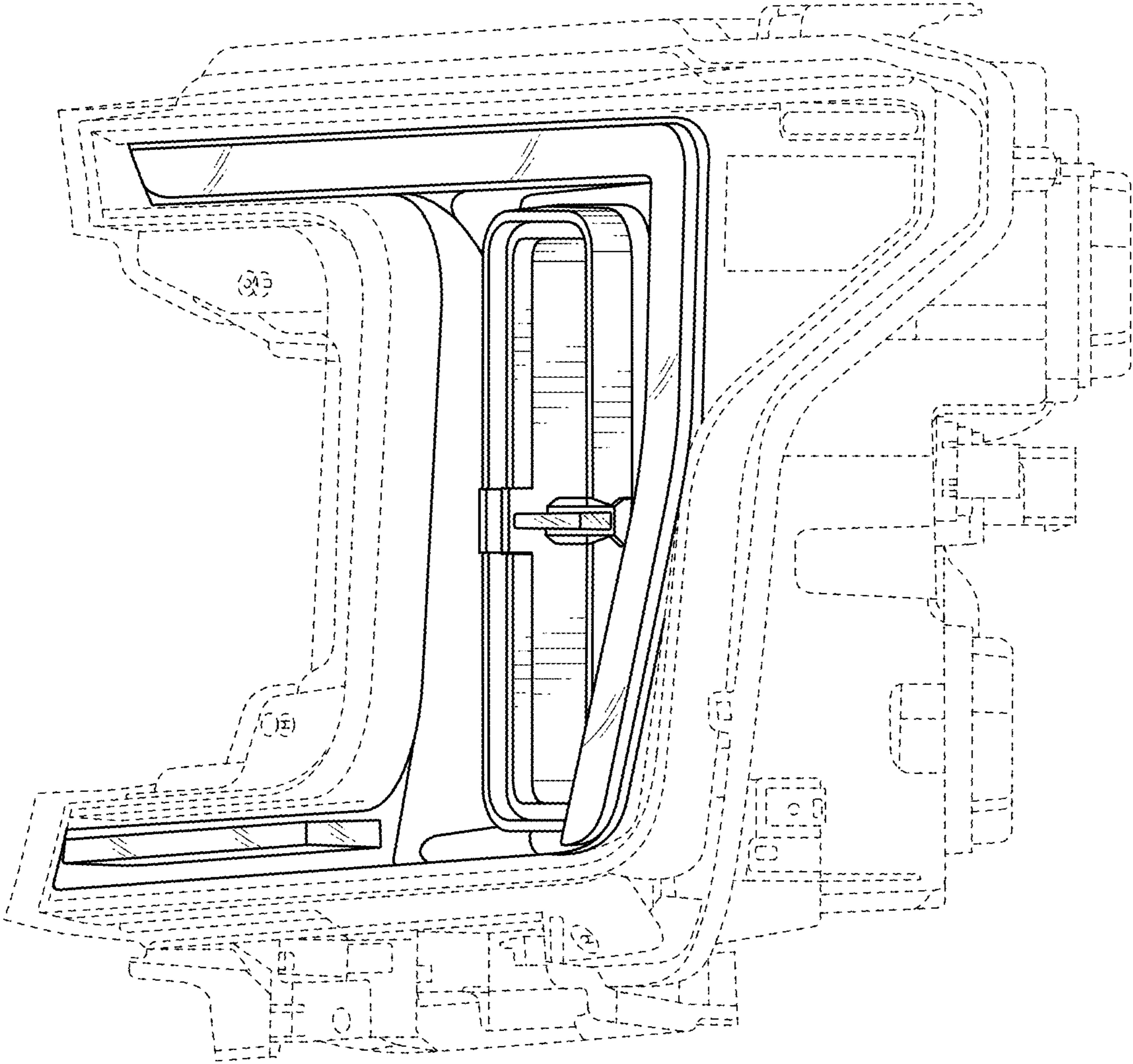


Fig. 3

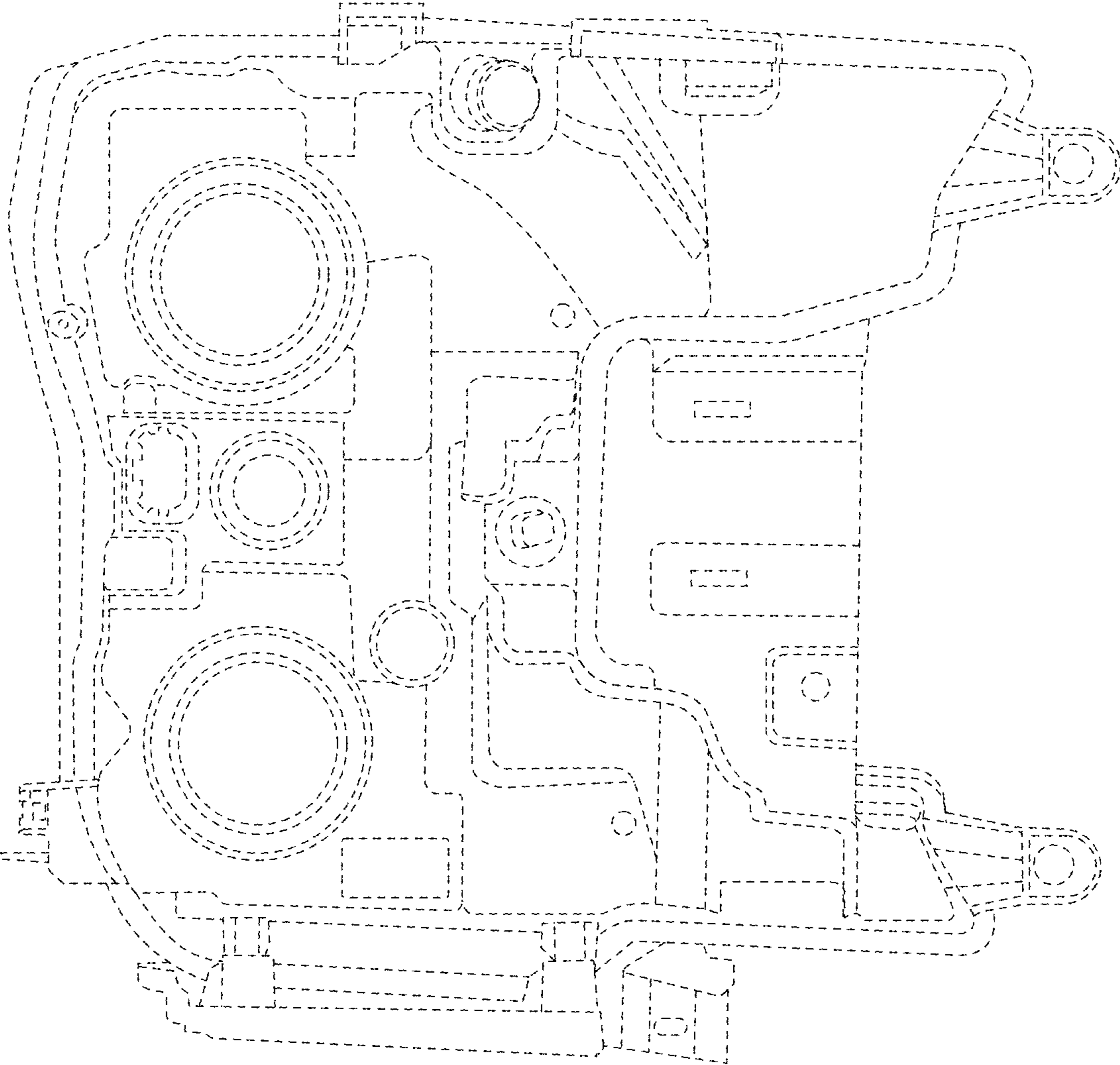


Fig. 4

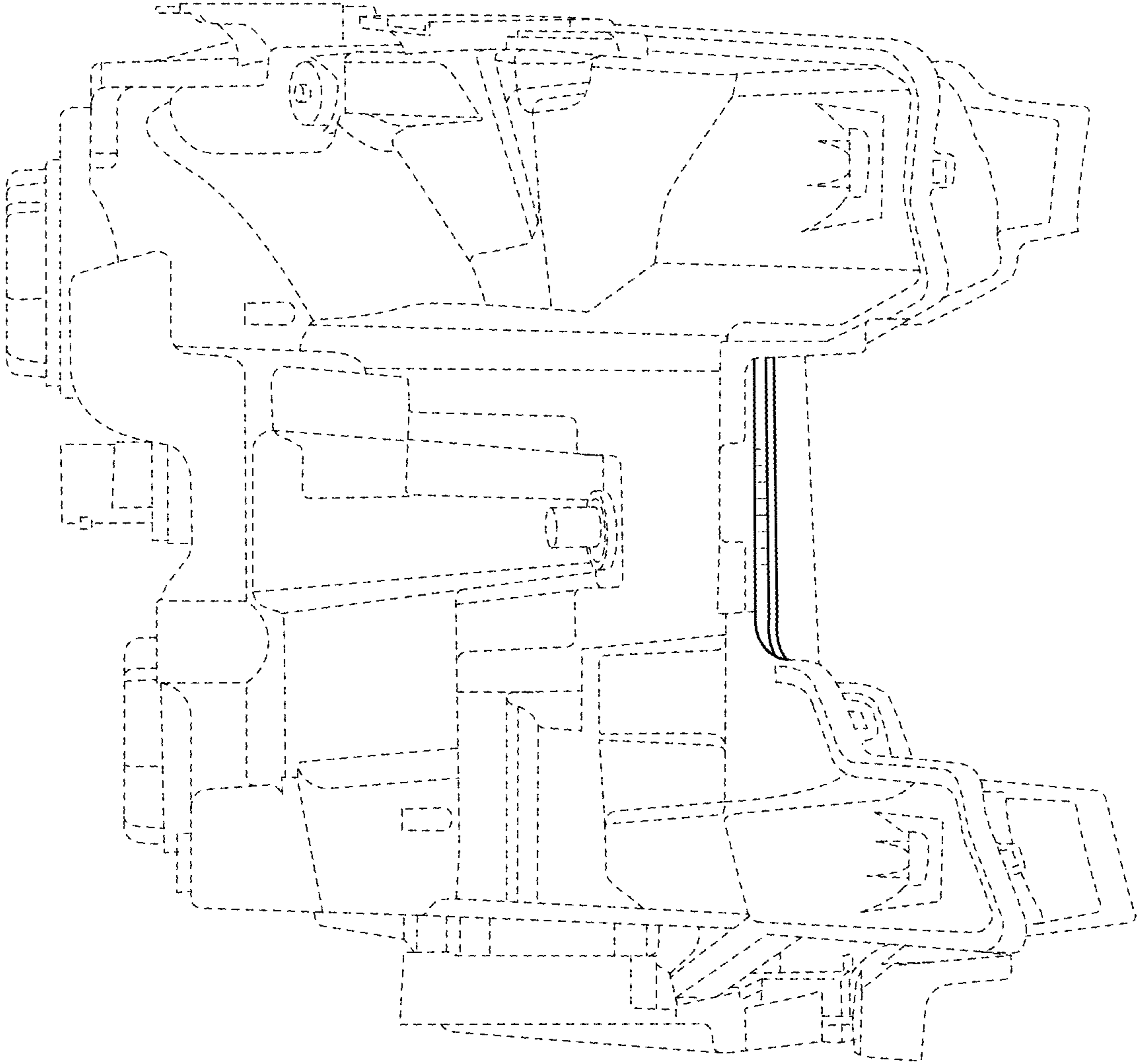


Fig. 5