



US00D937453S

(12) **United States Design Patent** (10) **Patent No.:** **US D937,453 S**
Wu (45) **Date of Patent:** **** Nov. 30, 2021**

(54) **VEHICLE LIGHT**
(71) Applicant: **COPLUS INC.**, Tainan (TW)
(72) Inventor: **Po-Hua Wu**, Tainan (TW)
(73) Assignee: **COPLUS INC.**, Tainan (TW)
(**) Term: **15 Years**
(21) Appl. No.: **29/754,805**
(22) Filed: **Oct. 14, 2020**

D875,283 S * 2/2020 He D26/28
D890,380 S * 7/2020 Wu D26/28
D898,239 S * 10/2020 Kusunoki D26/28
D898,243 S * 10/2020 He D26/28
D905,880 S * 12/2020 Katou D26/28

* cited by examiner

Primary Examiner — Marcus A Jackson
(74) *Attorney, Agent, or Firm* — Lewis Roca Rothgerber
Christie LLP

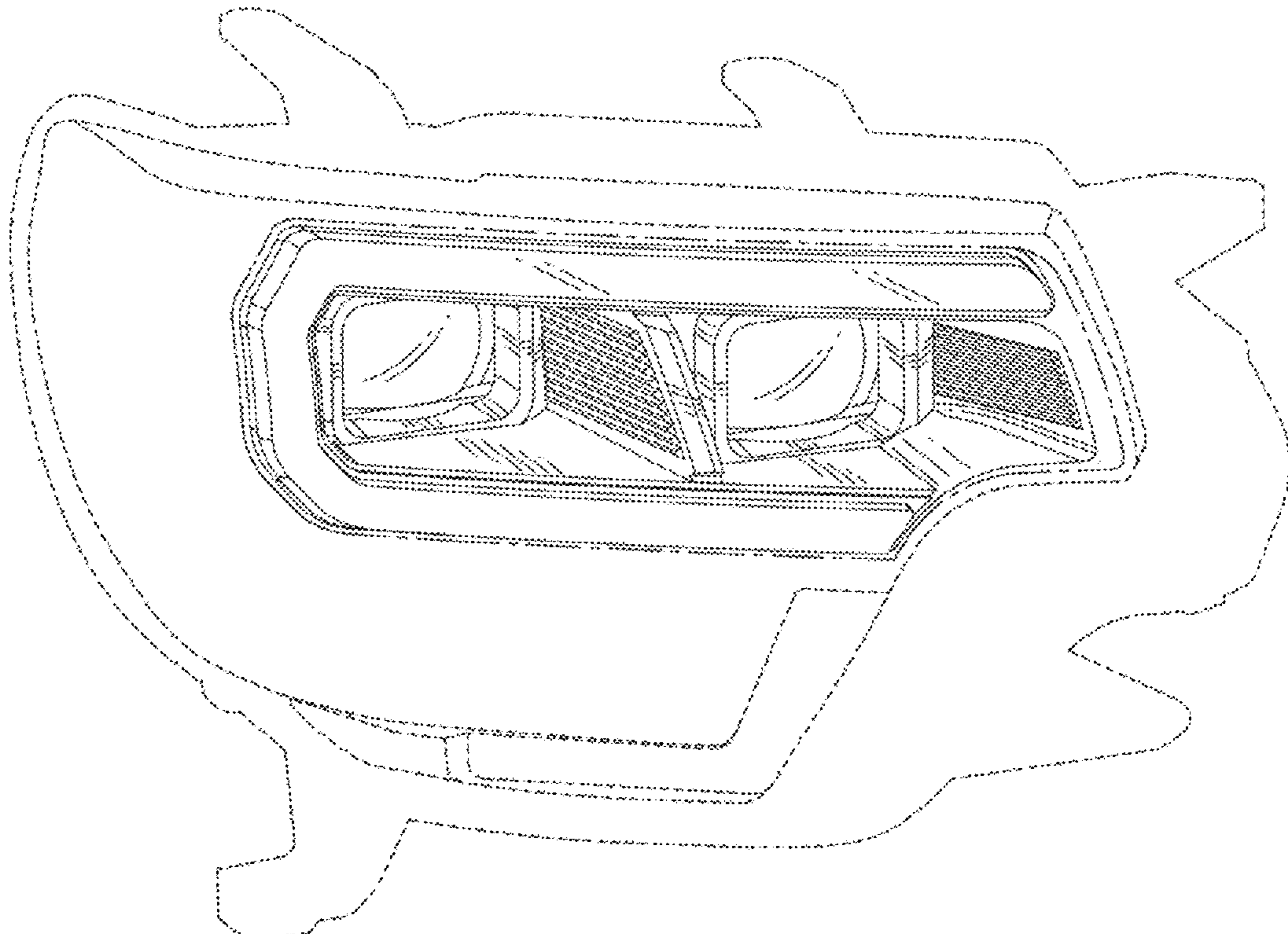
(30) **Foreign Application Priority Data**
Aug. 27, 2020 (TW) 109301525D01
(51) **LOC (13) Cl.** **26-06**
(52) **U.S. Cl.**
USPC **D26/28**
(58) **Field of Classification Search**
USPC D26/28–36, 139
CPC F21S 48/00; F21S 48/10; F21S 48/115;
F21S 48/225; F21S 48/1233; F21S
48/1266; F21S 48/1388; F21S 48/2268;
F21V 5/00; B60Q 9/13; B60Q 9/135;
B60Q 9/1375
See application file for complete search history.

(57) **CLAIM**
The ornamental design for a vehicle light, as shown and
described.

(56) **References Cited**
U.S. PATENT DOCUMENTS
D474,290 S * 5/2003 Sawai D26/28
D794,847 S * 8/2017 Fujiwara D26/28

DESCRIPTION
FIG. 1 is a perspective view of the vehicle light;
FIG. 2 is a front view thereof;
FIG. 3 is a rear view thereof;
FIG. 4 is a left side view thereof;
FIG. 5 is a right side view thereof;
FIG. 6 is a top view thereof; and,
FIG. 7 is a bottom view thereof.
The broken lines in the drawings depict portions of the
article that form no part of the claimed design.

1 Claim, 7 Drawing Sheets



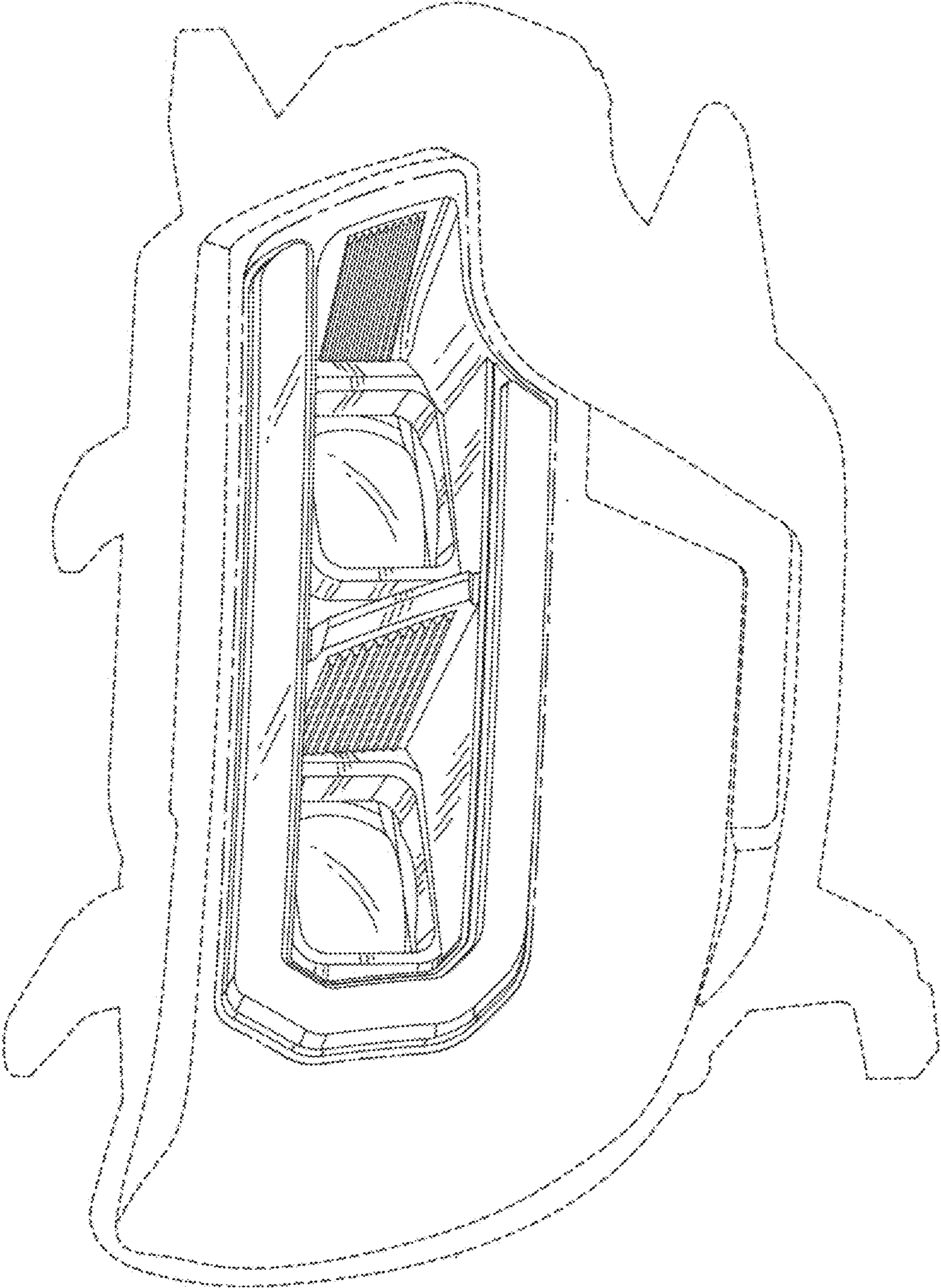


FIG. 1

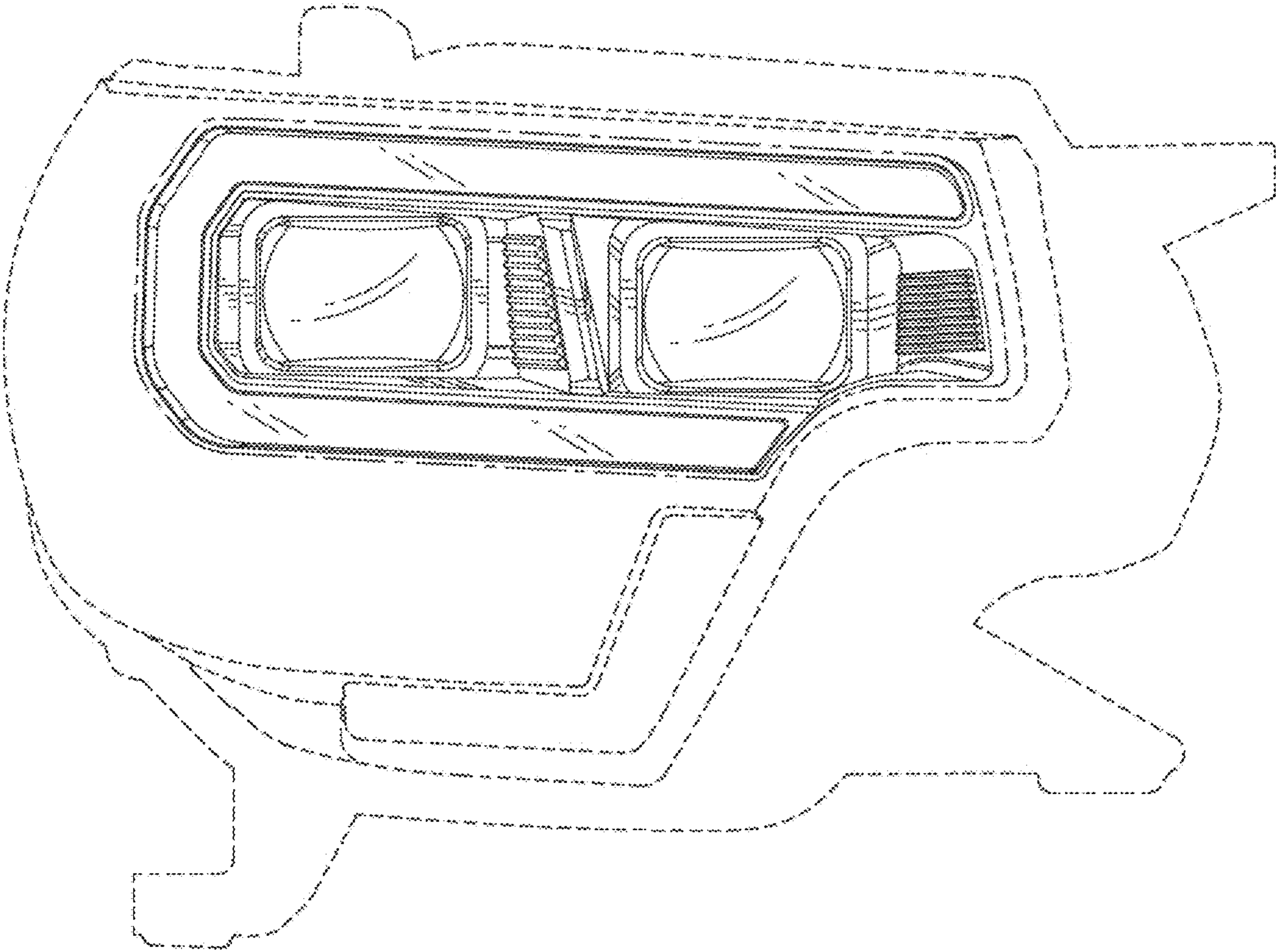


FIG. 2

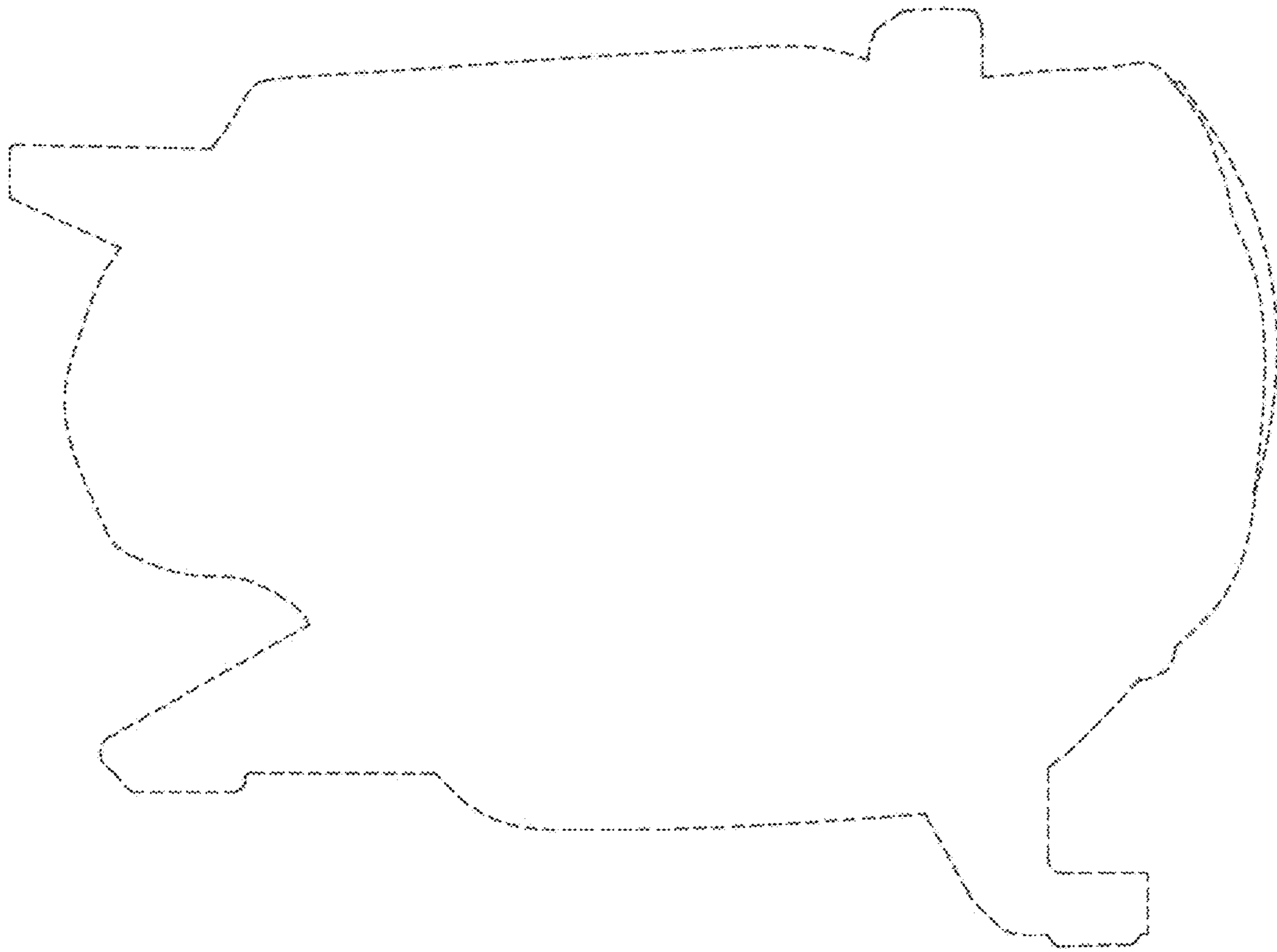


FIG. 3

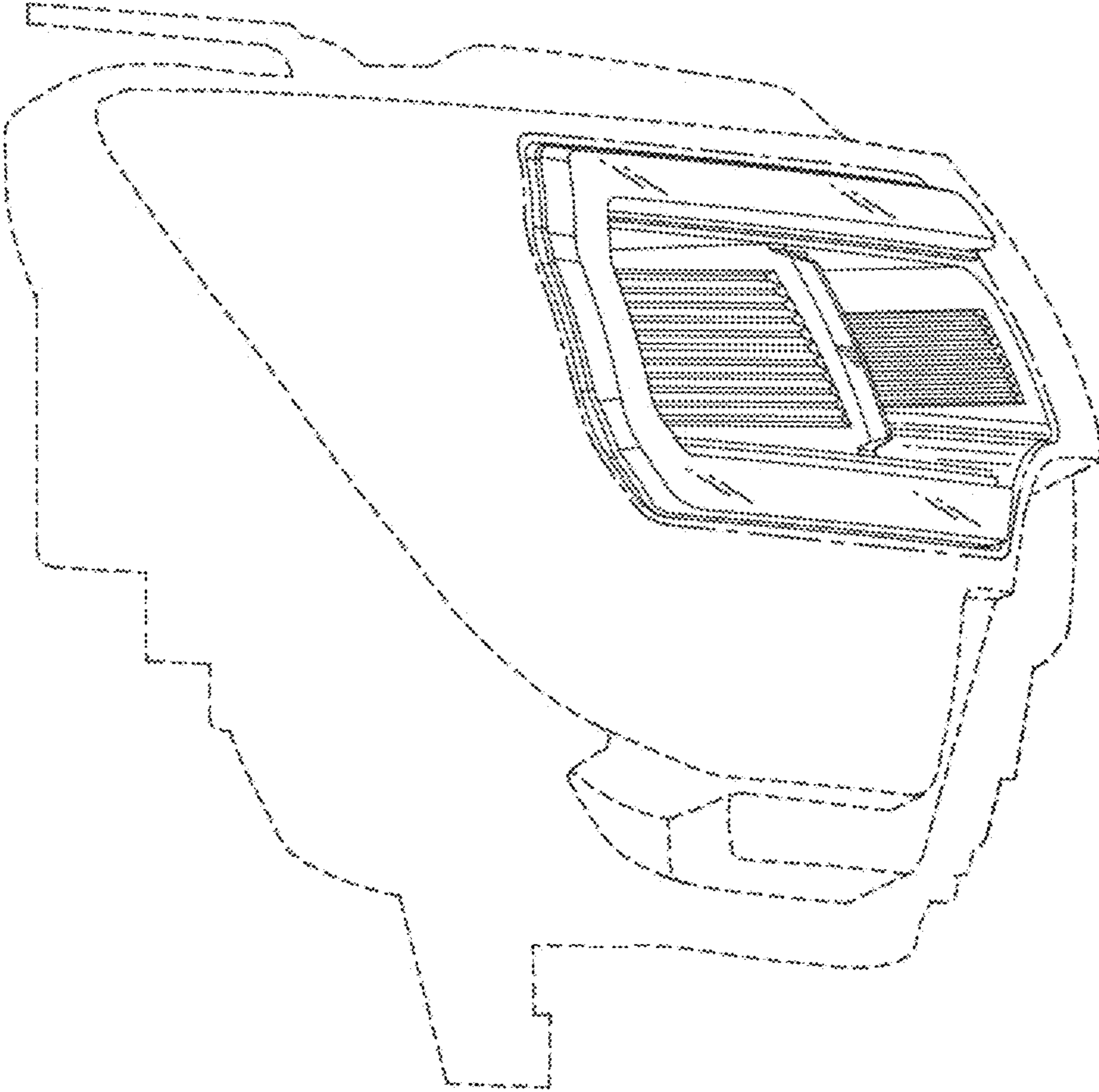


FIG. 4

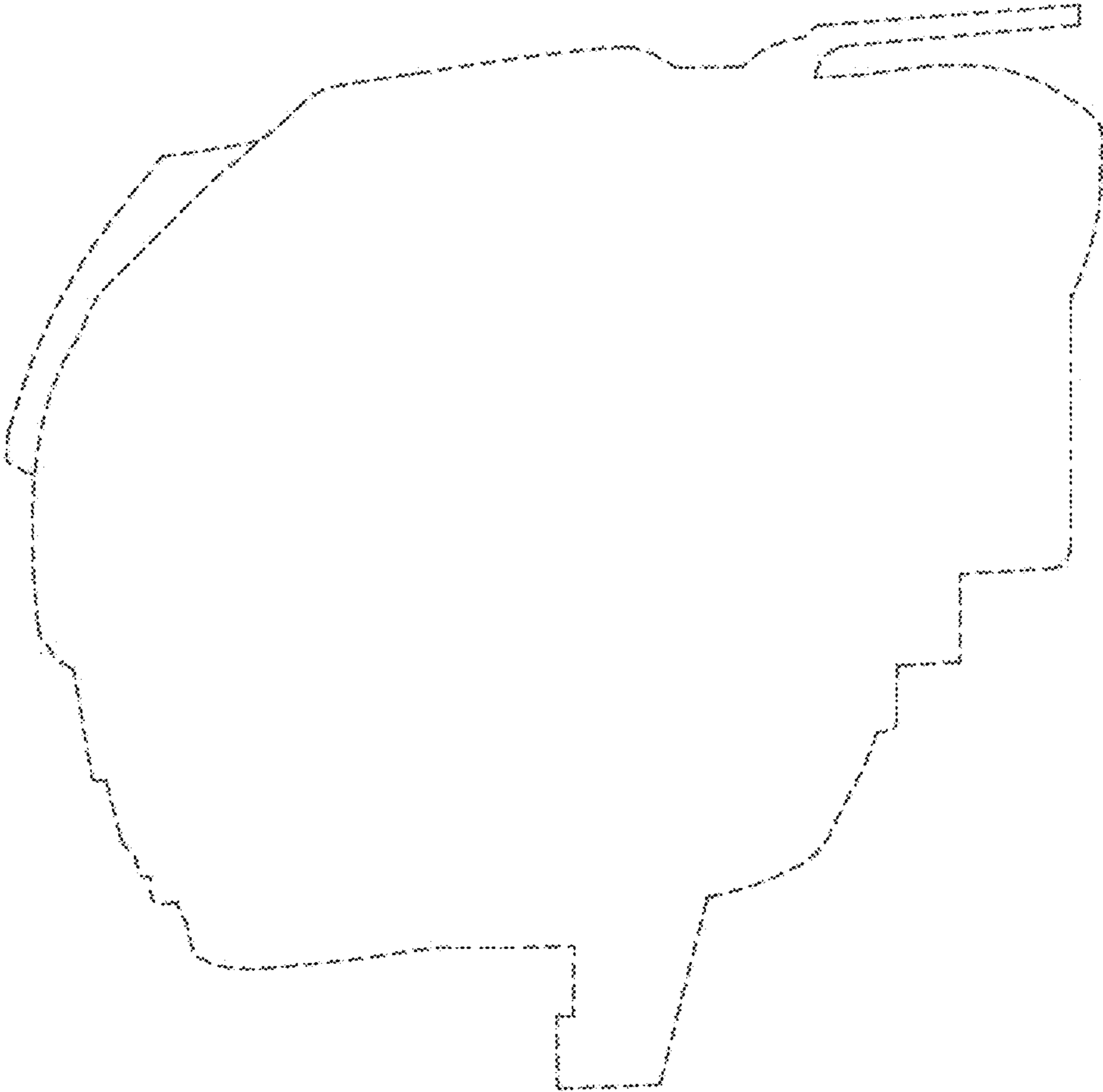


FIG. 5

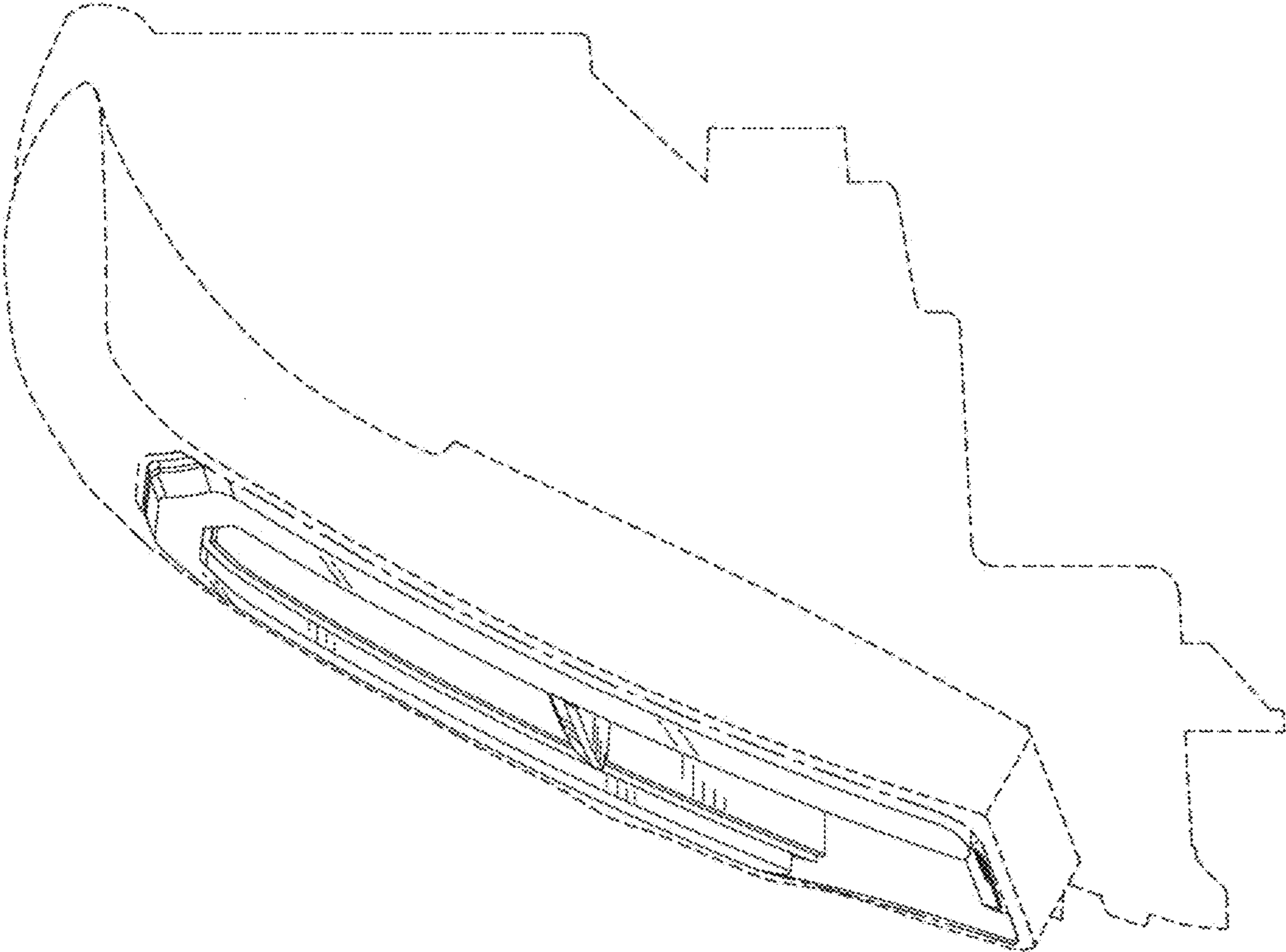


FIG. 6

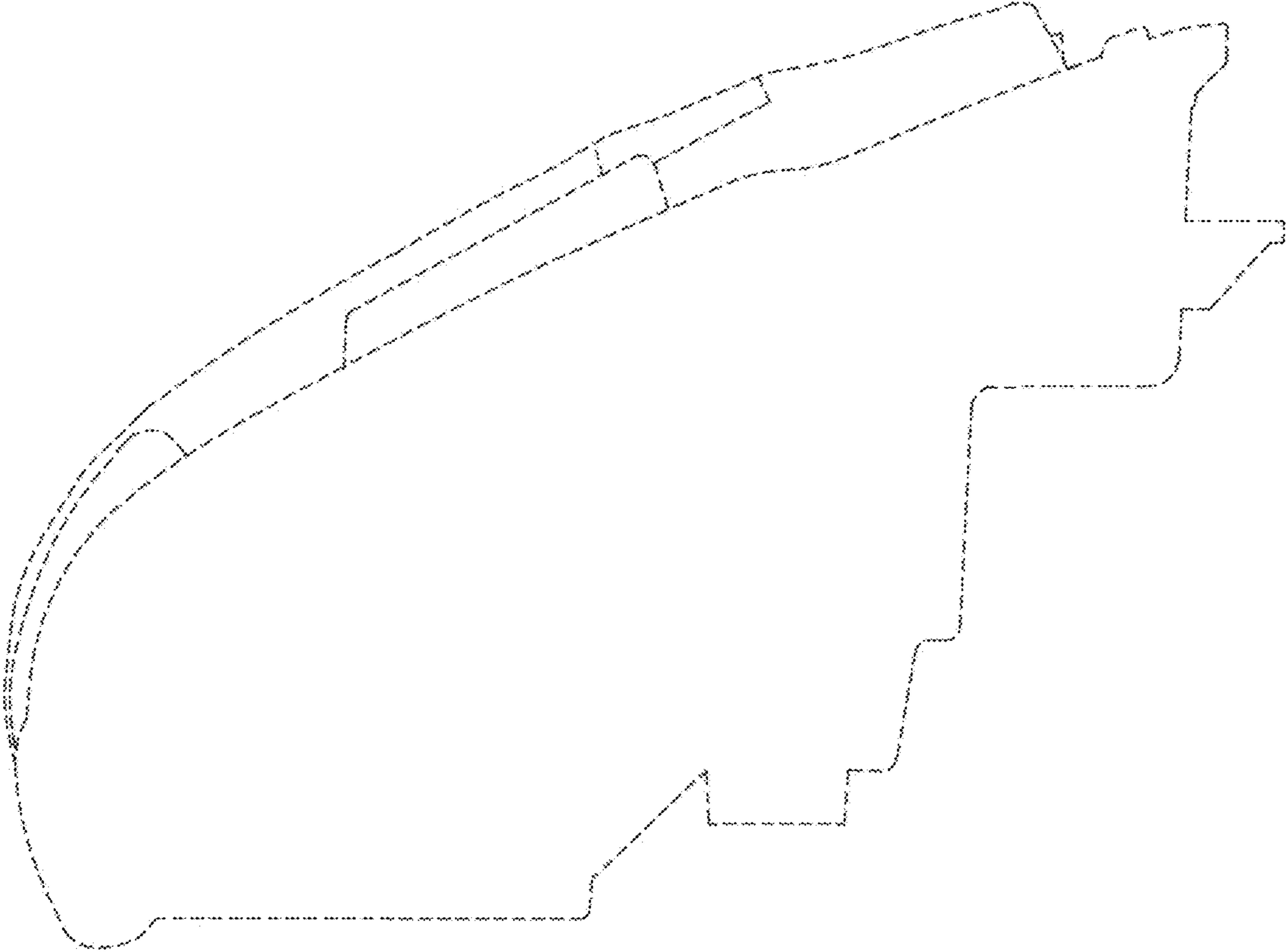


FIG. 7