



US00D937451S

(12) **United States Design Patent** (10) **Patent No.:** **US D937,451 S**  
**Tovey et al.** (45) **Date of Patent:** **\*\* Nov. 30, 2021**

(54) **TAIL LIGHT FOR A VEHICLE**  
(71) Applicant: **Jaguar Land Rover Limited**, Coventry (GB)  
(72) Inventors: **Simon Tovey**, Coventry (GB); **Paul Jobling**, Coventry (GB)  
(73) Assignee: **Jaguar Land Rover Limited**, Whitley Coventry (GB)  
(\*\*) Term: **15 Years**  
(21) Appl. No.: **29/716,078**  
(22) Filed: **Dec. 6, 2019**

D785,835 S \* 5/2017 Lee ..... D26/28  
D785,837 S \* 5/2017 Lee ..... D26/28  
D787,716 S \* 5/2017 Patel ..... D26/28  
D787,724 S \* 5/2017 Hong ..... D26/28  
D787,726 S \* 5/2017 Hong ..... D26/28  
D788,956 S \* 6/2017 Hong ..... D26/28  
D796,090 S \* 8/2017 Honda ..... D26/28  
D802,181 S \* 11/2017 Cartabiano ..... D26/28

(Continued)

*Primary Examiner* — Mark A Goodwin  
*Assistant Examiner* — Benjamin M Weeks  
(74) *Attorney, Agent, or Firm* — Wood Herron & Evans LLP

(57) **CLAIM**

The ornamental design for a tail light for a vehicle, as shown and described.

**Related U.S. Application Data**

(62) Division of application No. 29/625,152, filed on Nov. 7, 2017, now Pat. No. Des. 871,623.

**Foreign Application Priority Data**

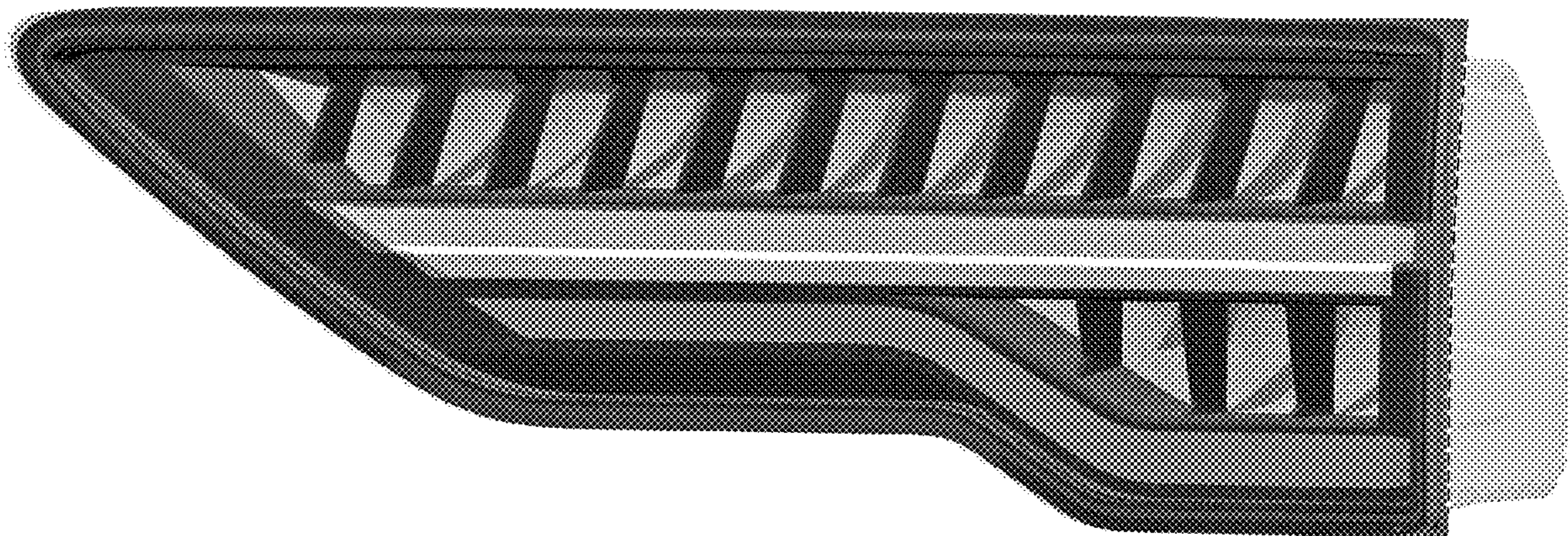
May 11, 2017 (EM) ..... 003996941  
(51) **LOC (13) Cl.** ..... **26-06**  
(52) **U.S. Cl.**  
USPC ..... **D26/28**  
(58) **Field of Classification Search**  
USPC ..... D26/28-36  
CPC ..... F21S 48/00; F21S 48/10; F21S 48/1266;  
F21S 48/1388; F21S 48/2268; F21V  
21/04  
See application file for complete search history.

**DESCRIPTION**

FIG. 1 is a front right perspective view of a first embodiment of a tail light for a vehicle according to the present invention. FIG. 2 is a front left perspective view of the tail light shown in FIG. 1. FIG. 3 is a rear right perspective view thereof. FIG. 4 is a front view thereof. FIG. 5 is a right side view thereof. FIG. 6 is a top view thereof; and, FIG. 7 is a front view of the tail light shown in FIGS. 1-6, with the tail light mounted on a vehicle, and the rest of the vehicle shown in de-emphasized and half-tone portions so as to illustrate environmental structure, which portions form no part of the claimed design. More particularly, in FIG. 7, the inventive tail light is shown within the broken line, and the elements shown outside the broken line form no part of the claimed design, but are instead included to show environmental aspects thereof. A second embodiment for a tail light for a vehicle designed to mount on the opposite side of the vehicle is a mirror image of FIGS. 1-7.

**1 Claim, 7 Drawing Sheets**

(56) **References Cited**  
U.S. PATENT DOCUMENTS  
D614,330 S \* 4/2010 Lamm ..... D26/28  
D674,933 S \* 1/2013 Varga ..... D26/28  
D780,351 S \* 2/2017 Ha ..... D26/28  
D785,834 S \* 5/2017 Lee ..... D26/28



(56)

**References Cited**

## U.S. PATENT DOCUMENTS

D814,081	S	*	3/2018	Ha	.....	D26/28
D835,309	S	*	12/2018	Thomas	.....	D26/28
D846,766	S	*	4/2019	Thomas	.....	D26/28
D846,773	S	*	4/2019	Keskin	.....	D26/28
D846,774	S	*	4/2019	Keskin	.....	D26/28
D868,310	S	*	11/2019	Nishihama	.....	D26/28
D868,311	S	*	11/2019	Iida	.....	D26/28
D870,330	S	*	12/2019	Binder	.....	D26/28
D870,331	S	*	12/2019	Binder	.....	D26/28
D870,334	S	*	12/2019	Choi	.....	D26/28
D870,335	S	*	12/2019	Choi	.....	D26/28
D871,622	S	*	12/2019	Jobling	.....	D26/28
D871,623	S	*	12/2019	Tovey	.....	D26/28
D872,326	S	*	1/2020	Tovey	.....	D26/28
D873,456	S	*	1/2020	Han	.....	D26/28
D873,476	S	*	1/2020	Rogelio	.....	D26/139
D874,042	S	*	1/2020	Lee	.....	D26/28
D875,278	S	*	2/2020	Jobling	.....	D26/28
D890,390	S	*	7/2020	Lee	.....	D26/28
D894,451	S	*	8/2020	Hong	.....	D26/28
D895,179	S	*	9/2020	Lindloff	.....	D26/28
D895,180	S	*	9/2020	Hong	.....	D26/28
D902,457	S	*	11/2020	Nordmann	.....	D26/28
D903,165	S	*	11/2020	Choi	.....	D26/28
D903,910	S	*	12/2020	Kato	.....	D26/28
D903,911	S	*	12/2020	Kato	.....	D26/28

\* cited by examiner

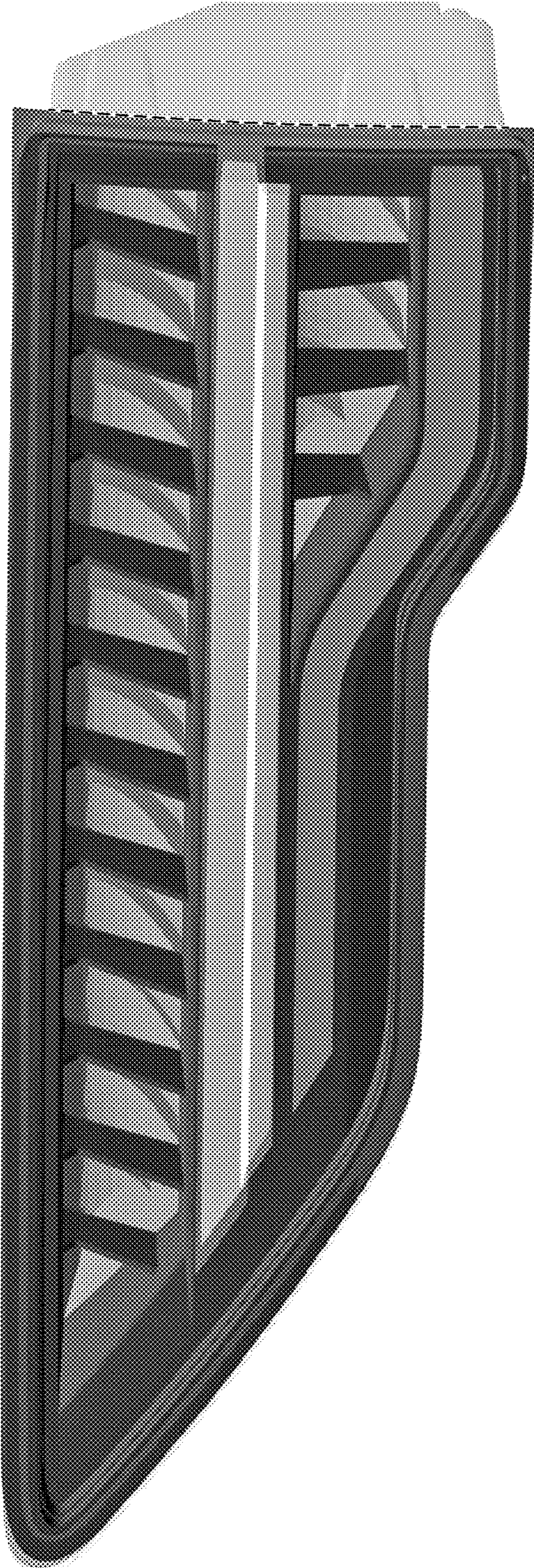


FIG. 1

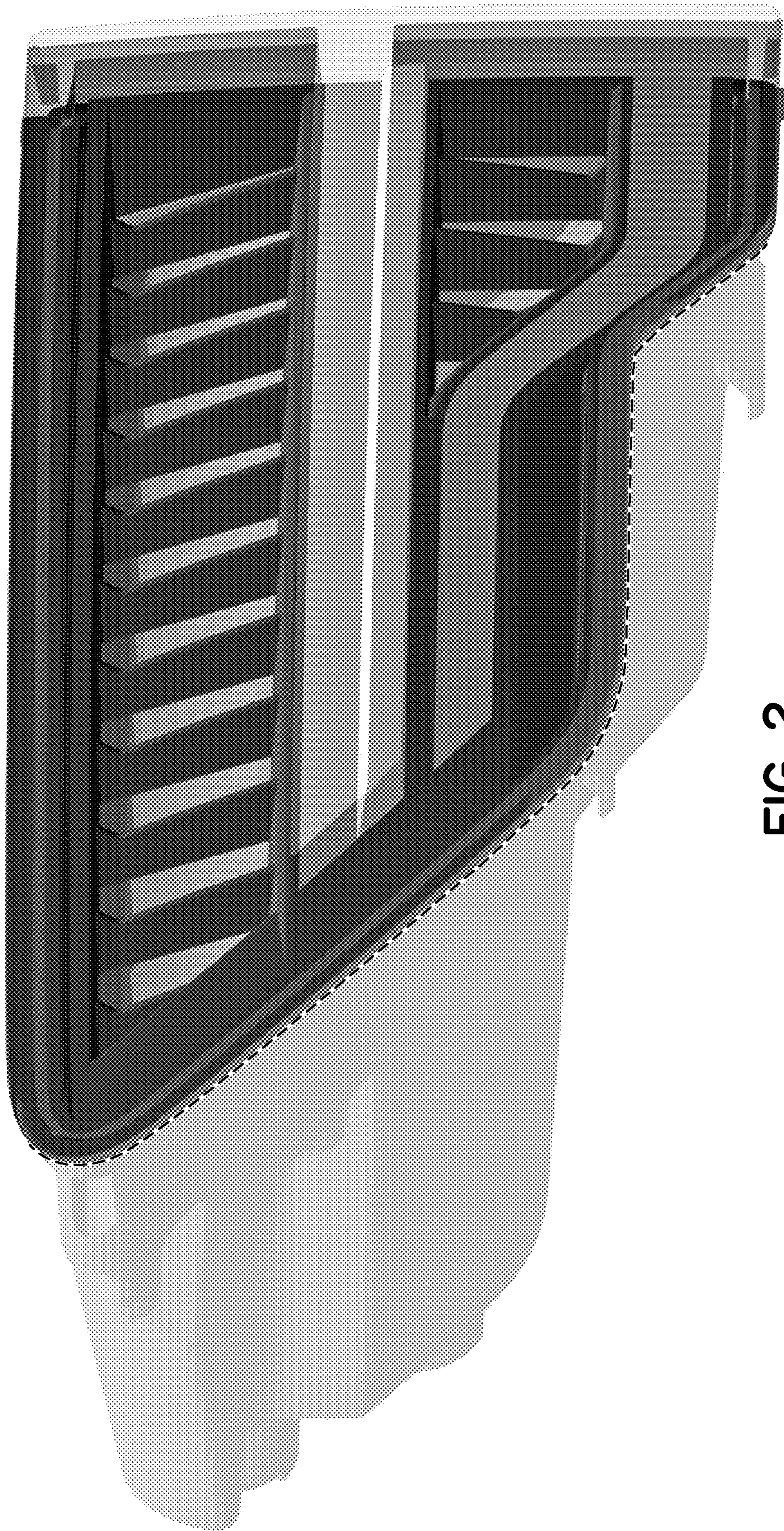


FIG. 2



FIG. 3

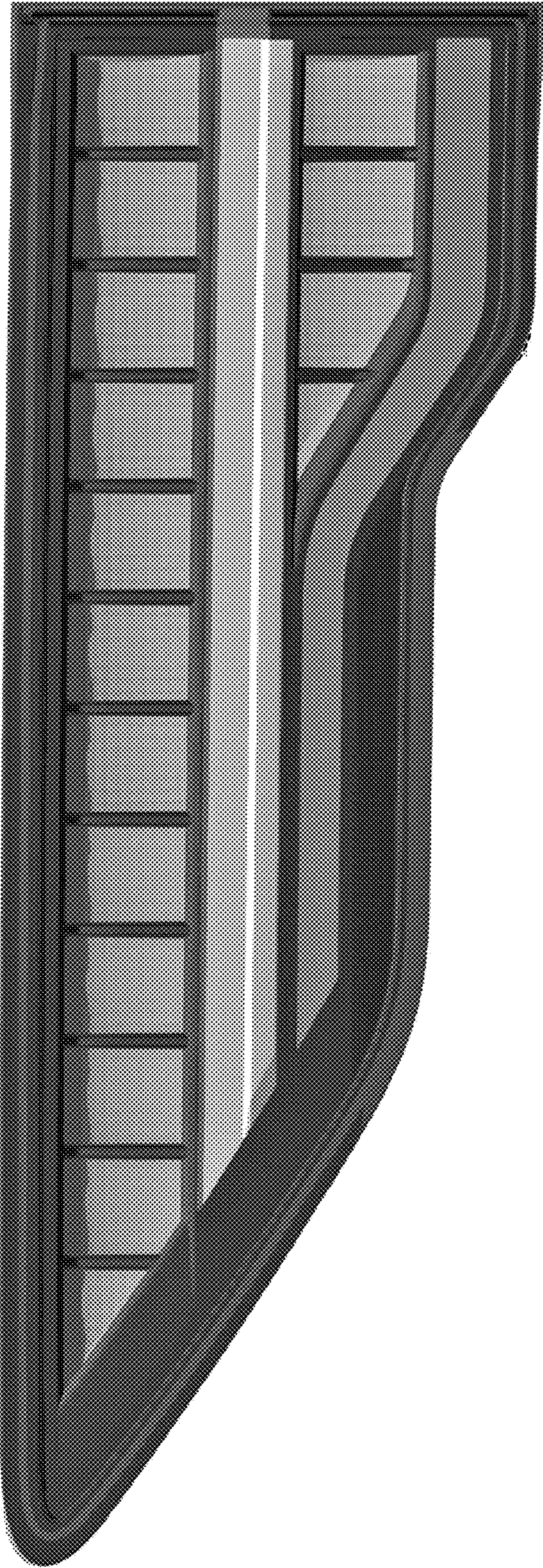


FIG. 4

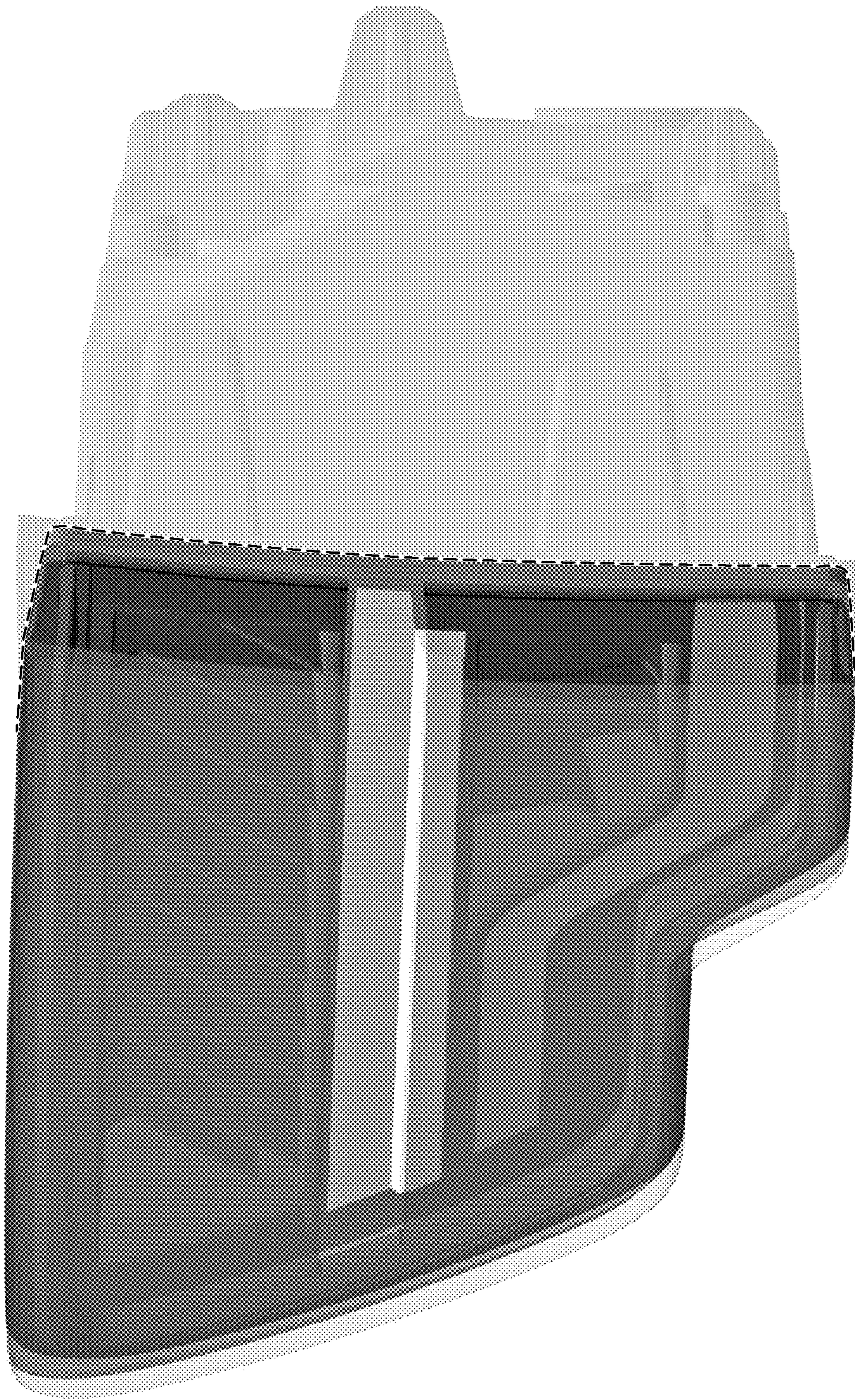


FIG. 5

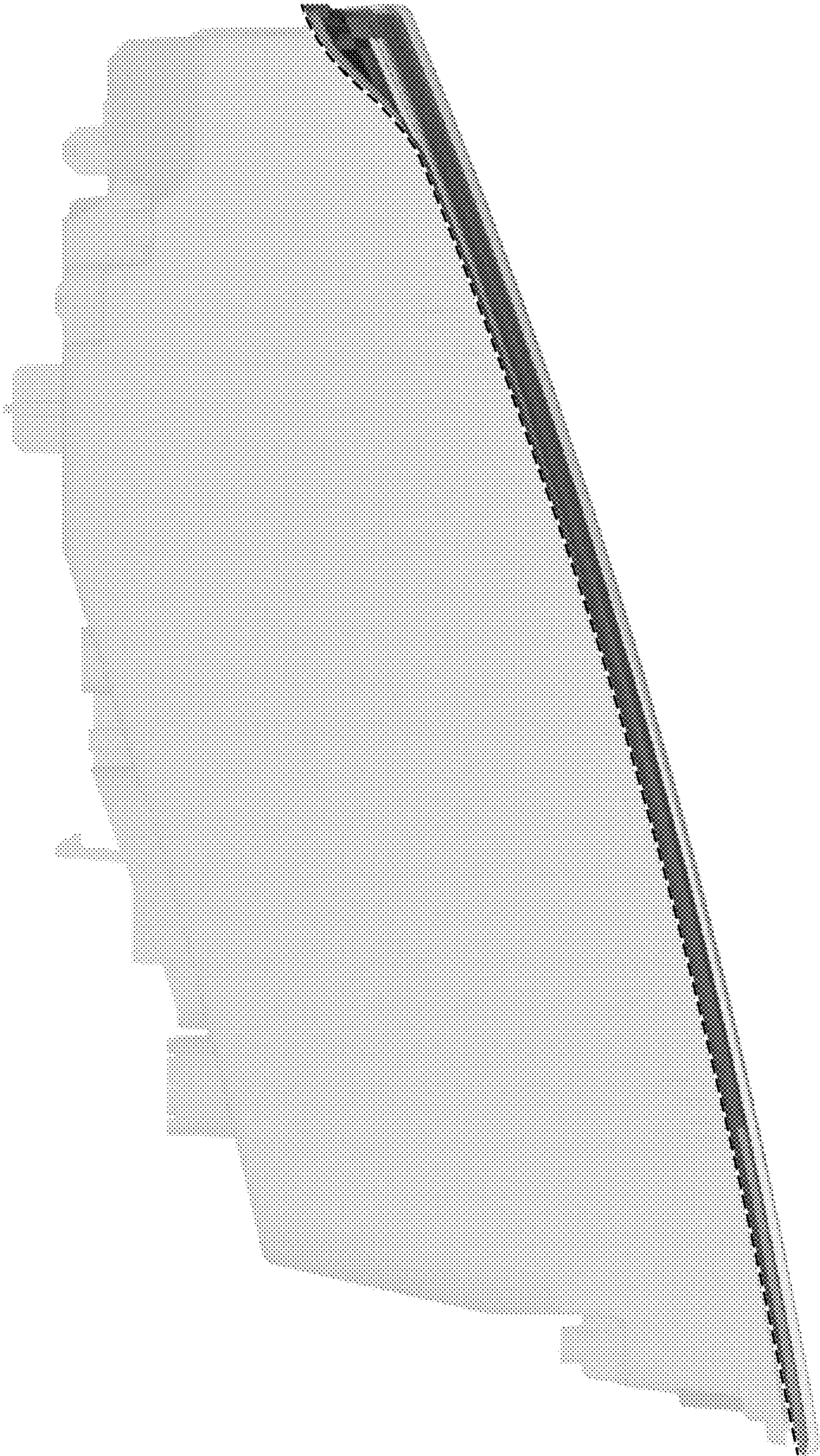


FIG. 6





FIG. 7