



US00D937450S

(12) **United States Design Patent**
Yasuhara

(10) **Patent No.:** **US D937,450 S**

(45) **Date of Patent:** **** Nov. 30, 2021**

(54) **TAIL LIGHT FOR A UTILITY VEHICLE**

(71) Applicant: **Kawasaki Jukogyo Kabushiki Kaisha,**
Kobe (JP)

(72) Inventor: **Hidefumi Yasuhara,** Kobe (JP)

(73) Assignee: **KAWASAKI JUKOGYO**
KABUSHIKI KAISHA

(**) Term: **15 Years**

(21) Appl. No.: **29/708,173**

(22) Filed: **Oct. 3, 2019**

(51) **LOC (13) Cl.** **26-06**

(52) **U.S. Cl.**
USPC **D26/28**

(58) **Field of Classification Search**
USPC D26/28-36, 139
CPC F21S 48/00; F21S 48/10; F21S 48/115;
F21S 48/225; F21S 48/1233; F21S
48/1266; F21S 48/1388; F21S 48/2268;
F21V 21/04; F21V 29/004; B60Q 9/13;
B60Q 9/135; B60Q 9/1375

See application file for complete search history.

(56) **References Cited**

U.S. PATENT DOCUMENTS

D370,985 S *	6/1996	Sacco	D26/28
D412,214 S *	7/1999	Hejtmanek	D26/28
D493,901 S *	8/2004	Hoelzel	D26/28
D548,377 S *	8/2007	Markefka	D26/28
D552,769 S *	10/2007	Leclercq	D26/28

* cited by examiner

Primary Examiner — Marcus A Jackson

(57) **CLAIM**

The ornamental design for a tail light for a utility vehicle, as shown and described.

DESCRIPTION

FIG. 1 is a front elevational view of a tail light for a utility vehicle showing my new design;
FIG. 2 is a rear elevational view thereof;
FIG. 3 is a left side elevational view thereof;
FIG. 4 is a right side elevational view thereof;
FIG. 5 is a top plan view thereof;
FIG. 6 is a bottom plan view thereof;
FIG. 7 is a front left perspective view thereof; and,
FIG. 8 is a rear left perspective view thereof.

1 Claim, 8 Drawing Sheets

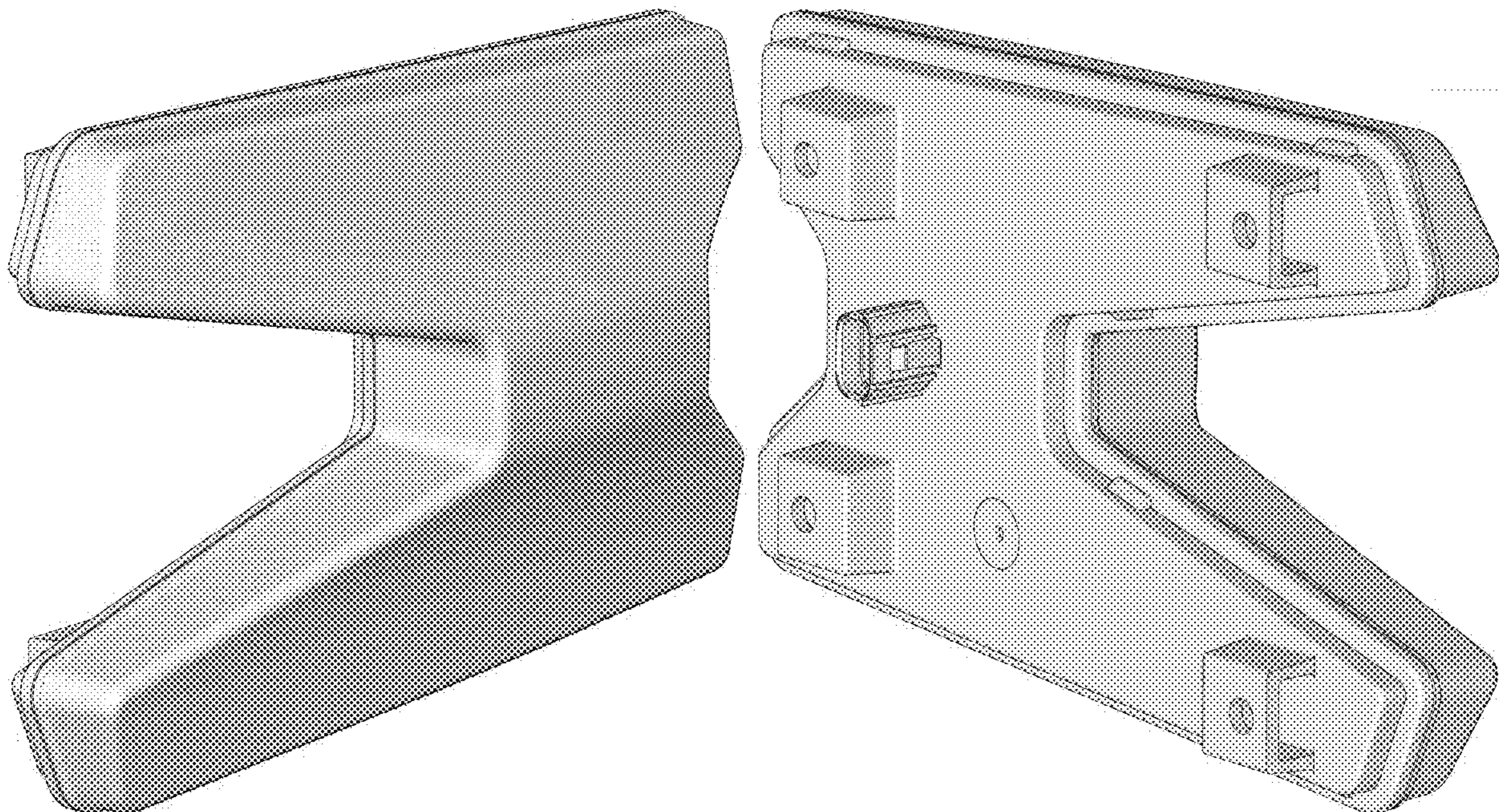




Fig. 1

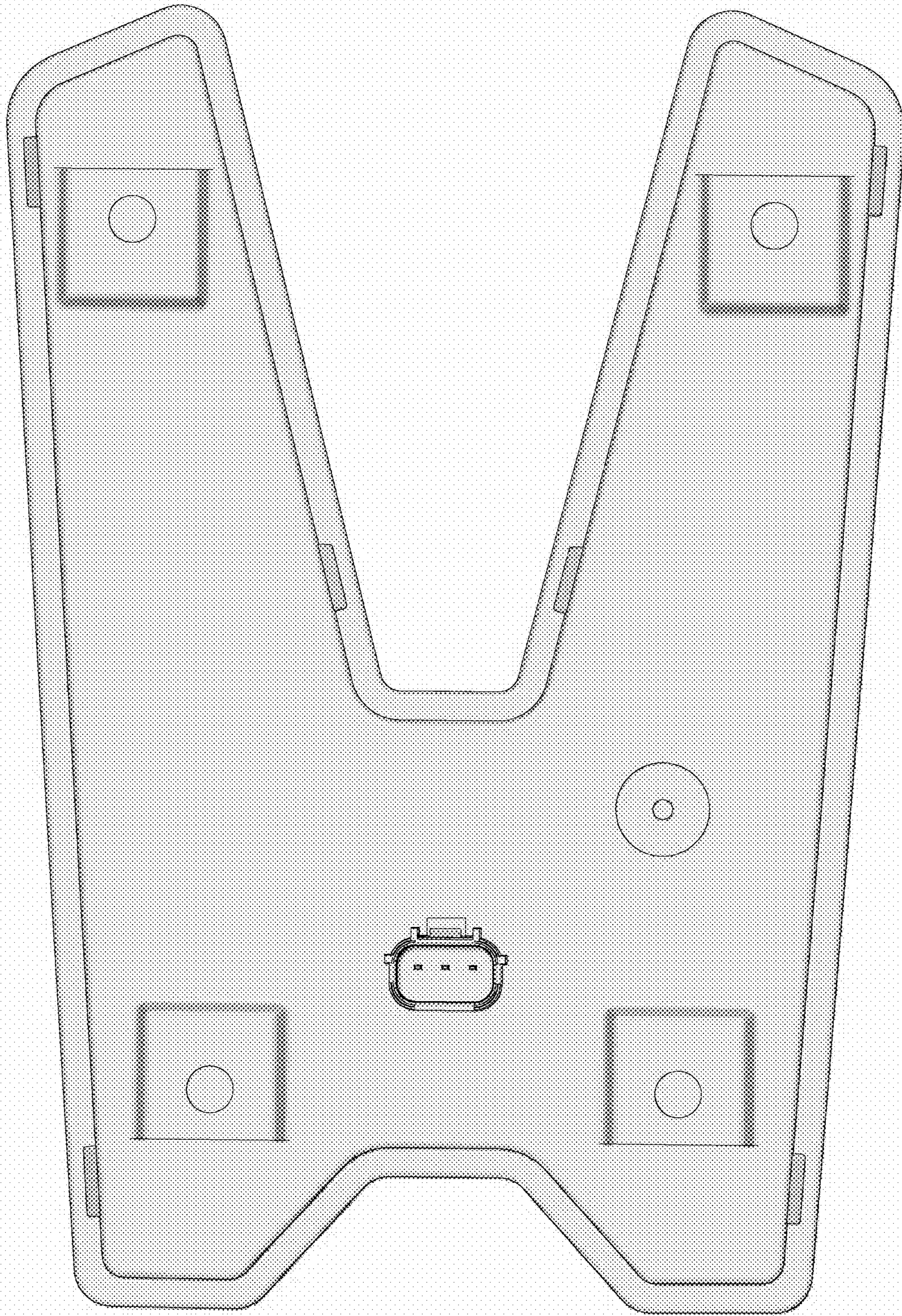


Fig. 2

Fig. 3

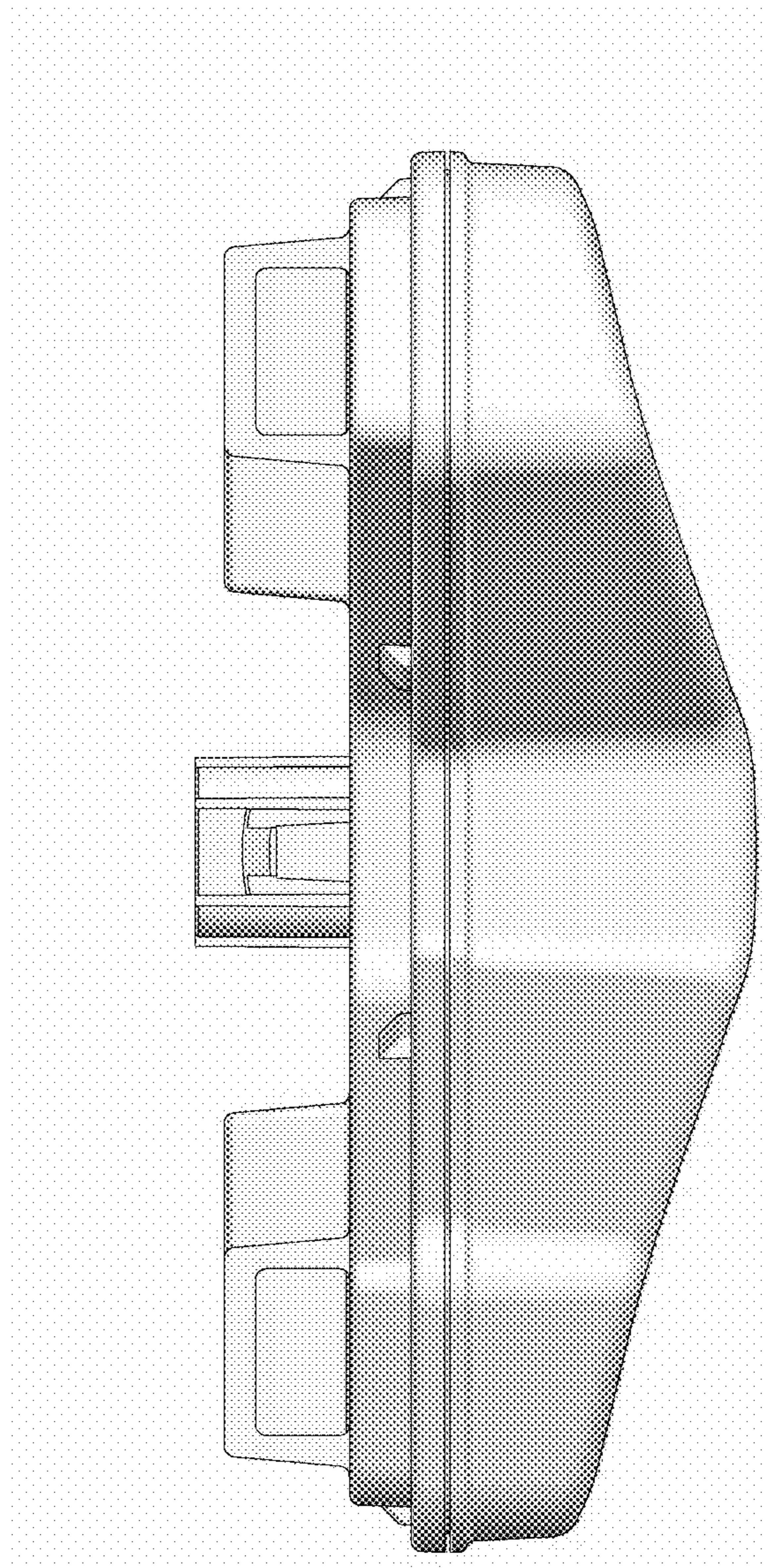
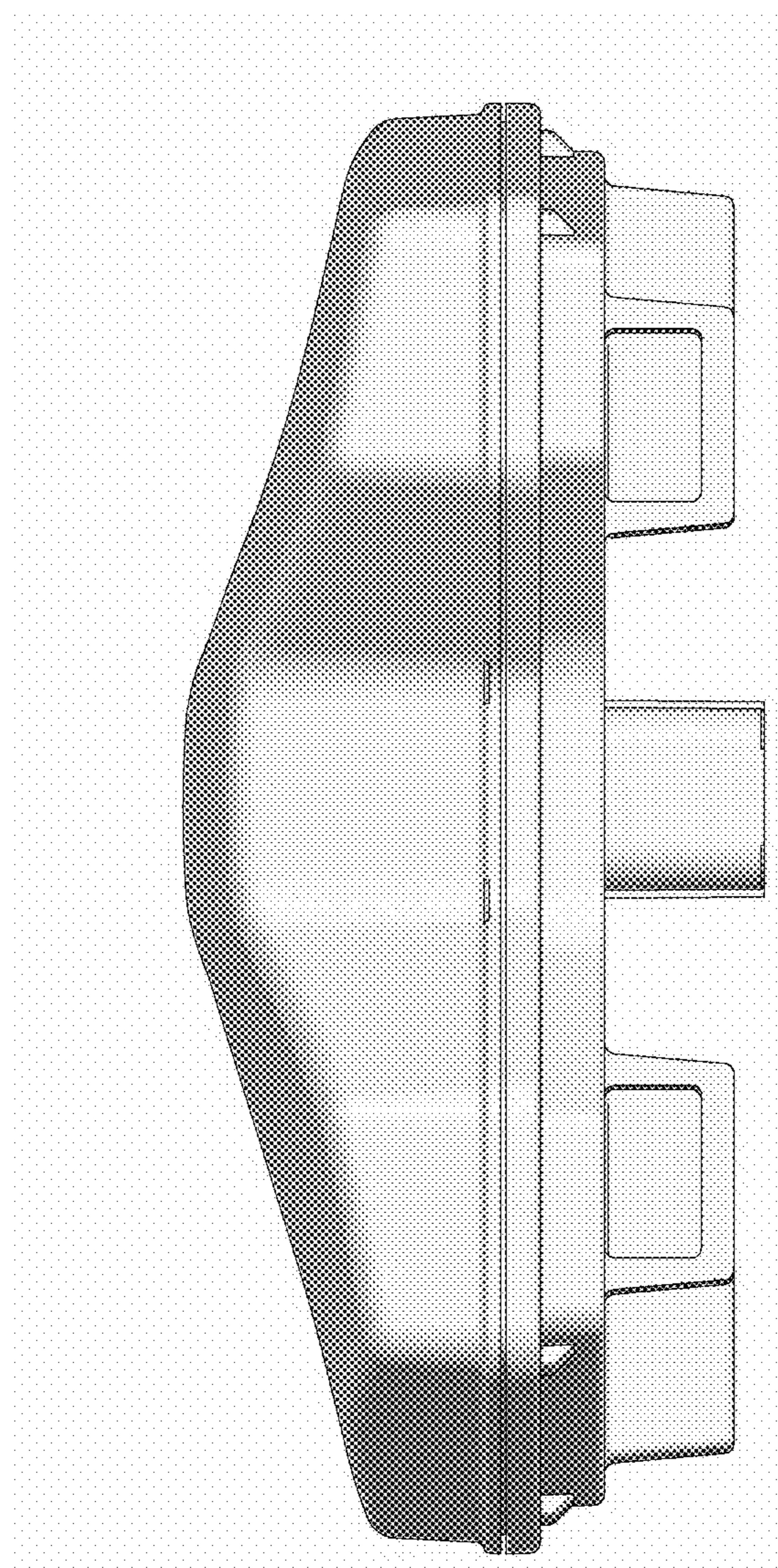


Fig. 4



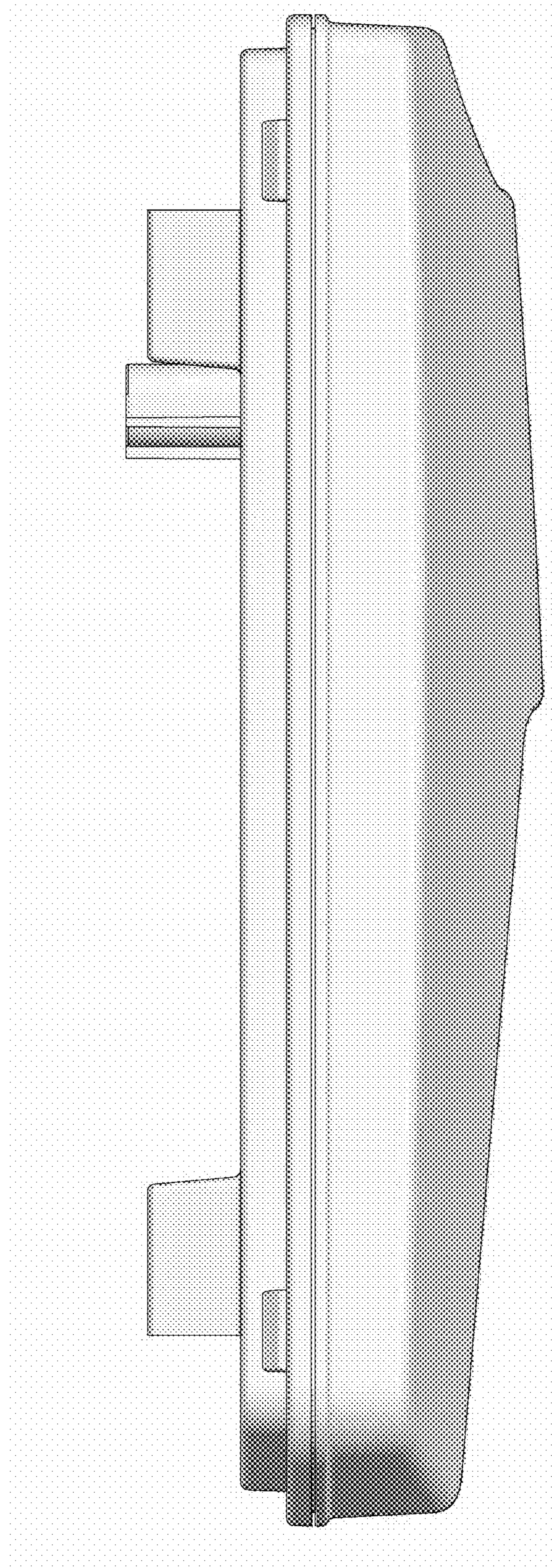


Fig. 5

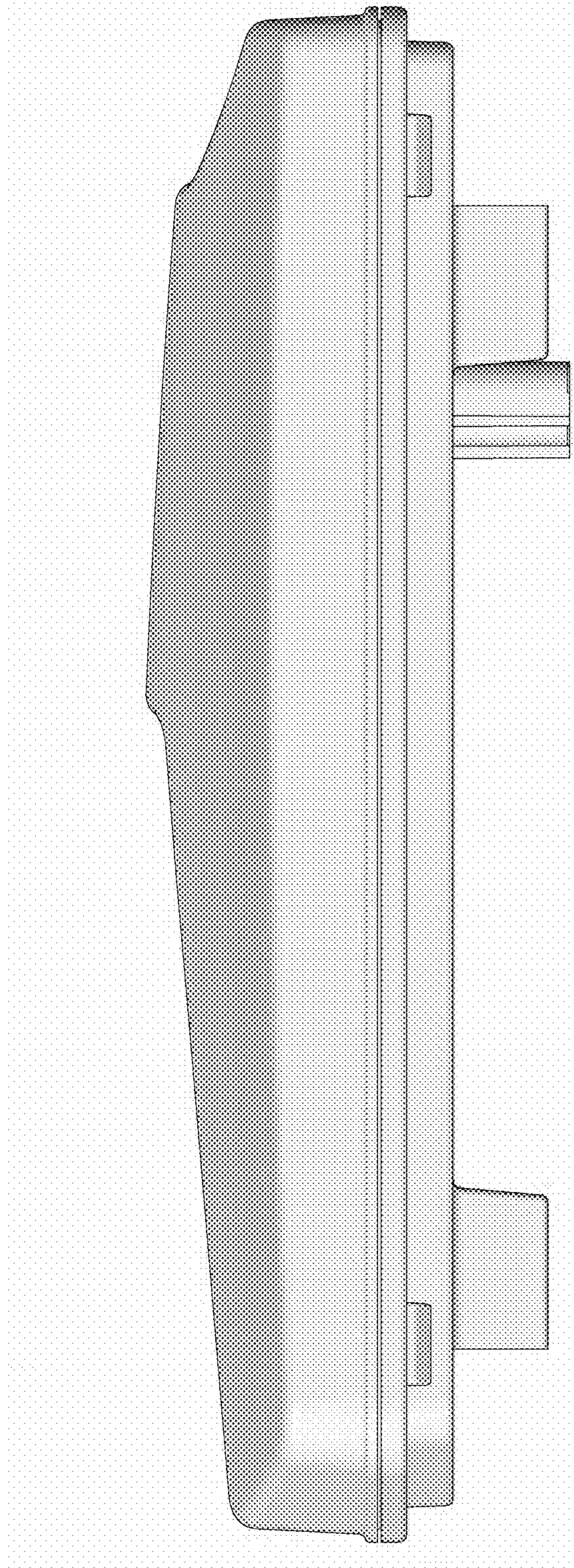


Fig. 6

Fig. 7

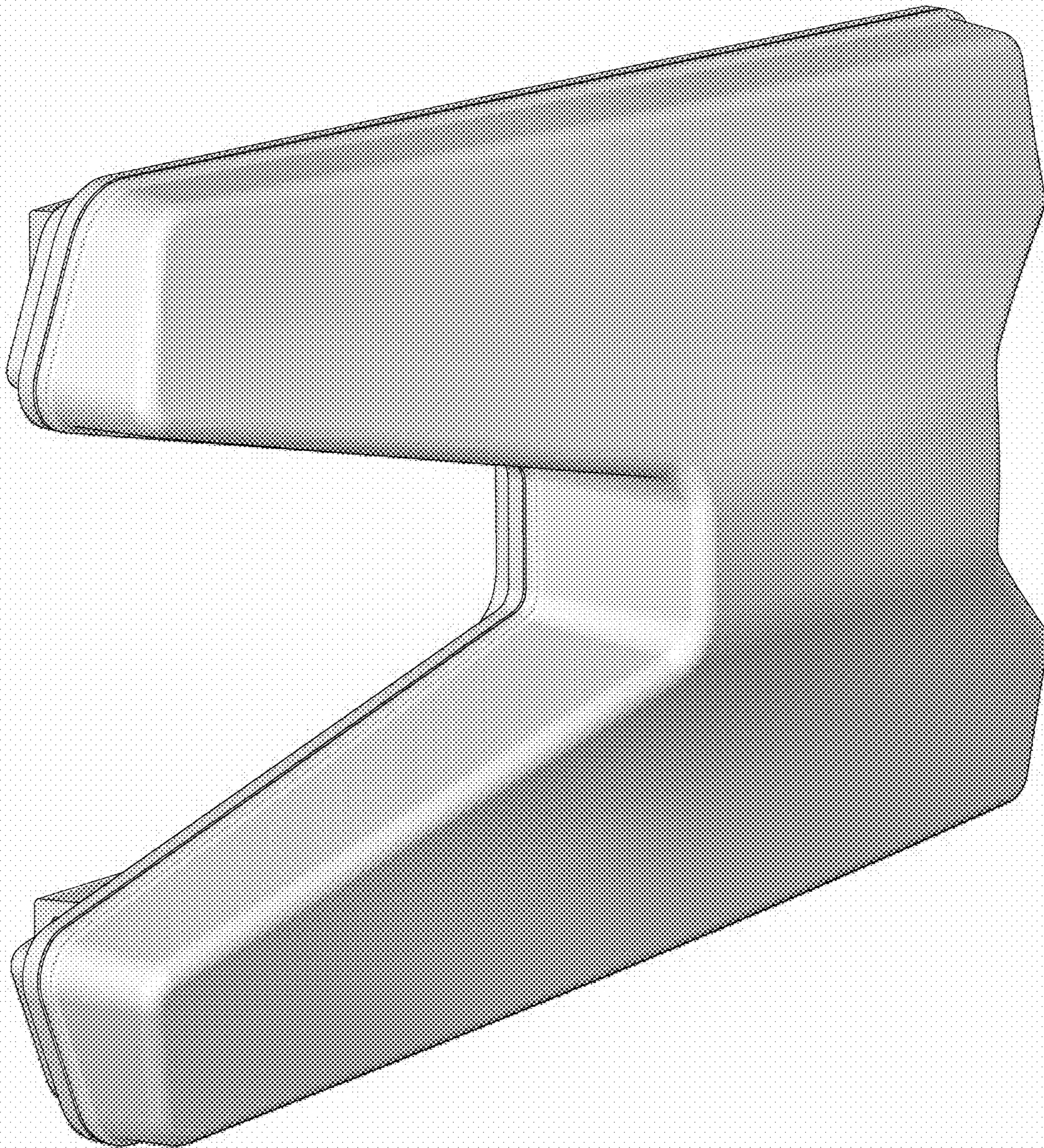


Fig. 8

