



US00D937449S

(12) **United States Design Patent**
Quan

(10) **Patent No.:** **US D937,449 S**

(45) **Date of Patent:** **** Nov. 30, 2021**

(54) **LIGHT**

(71) Applicant: **Jianqiong Quan**, Xianning (CN)

(72) Inventor: **Jianqiong Quan**, Xianning (CN)

(**) Term: **15 Years**

(21) Appl. No.: **29/764,586**

(22) Filed: **Dec. 31, 2020**

(51) **LOC (13) Cl.** **26-04**

(52) **U.S. Cl.**
USPC **D26/25**

(58) **Field of Classification Search**
USPC D26/1-4, 24-27, 37, 39, 72, 80, 81, 102,
D26/110, 118, 128; D1/100; D13/134,
D13/136; D16/250
CPC F21K 9/00; F21S 2/00; F21S 4/00; F21S
4/10; F21S 4/15; F21V 21/00; F21V
21/08; F21V 33/008; F21W 2121/00;
F21W 2121/006; F21W 2121/04; F21W
2121/06; G02B 6/0006; G02B 6/0008;
G02B 6/001; G02B 6/24; G02B 6/42;
G02B 6/4298; A01G 5/04; A44C
15/0015; H01J 5/48
See application file for complete search history.

(56) **References Cited**

U.S. PATENT DOCUMENTS

D383,226 S *	9/1997	Odierna	F21V 31/005	D26/25
D386,445 S *	11/1997	Odierna	F21V 23/06	D11/119
5,860,731 A *	1/1999	Martinez	F21S 4/10	362/249.16
D439,991 S *	4/2001	Wong	F21S 4/10	D11/117
D439,992 S *	4/2001	Wong	F21S 41/173	D26/25
D452,746 S *	1/2002	Tsai	F21S 4/10	D26/25

D515,225 S *	2/2006	Rau	D26/25
7,922,350 B1 *	4/2011	Siu	H01H 3/20
				362/206
D648,053 S *	11/2011	Rahman	D26/25
D691,295 S *	10/2013	Chappey	D26/25
D796,704 S *	9/2017	Xie	D26/2

(Continued)

OTHER PUBLICATIONS

Ollny Fairy Lights, Jul. 24, 2018, Amazon.co.uk, site visited: Aug. 13, 2021, url: <https://www.amazon.co.uk/dp/B07FVHTWM9> (Year: 2018).*

(Continued)

Primary Examiner — T Chase Nelson

Assistant Examiner — Rachel Wolfe

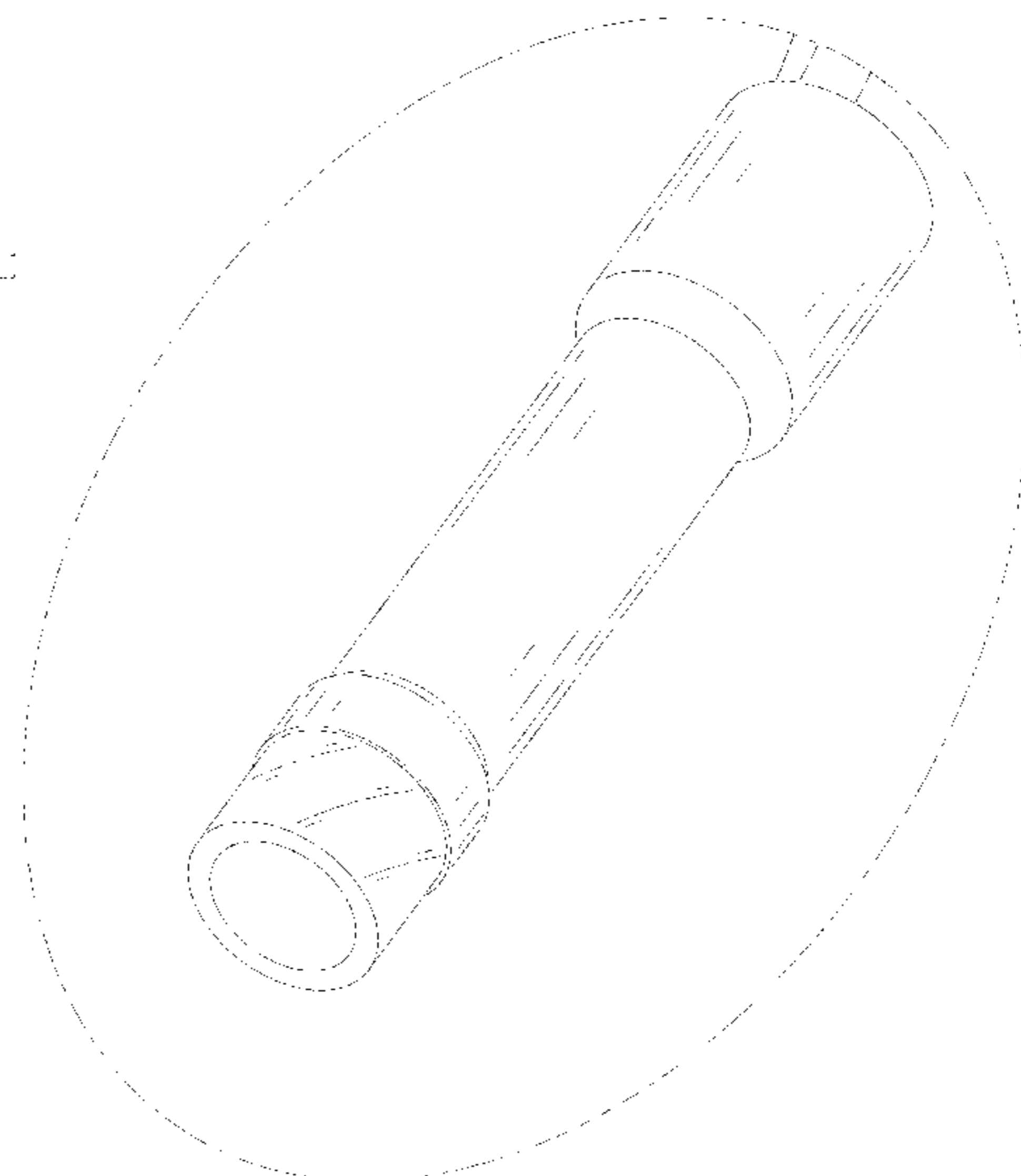
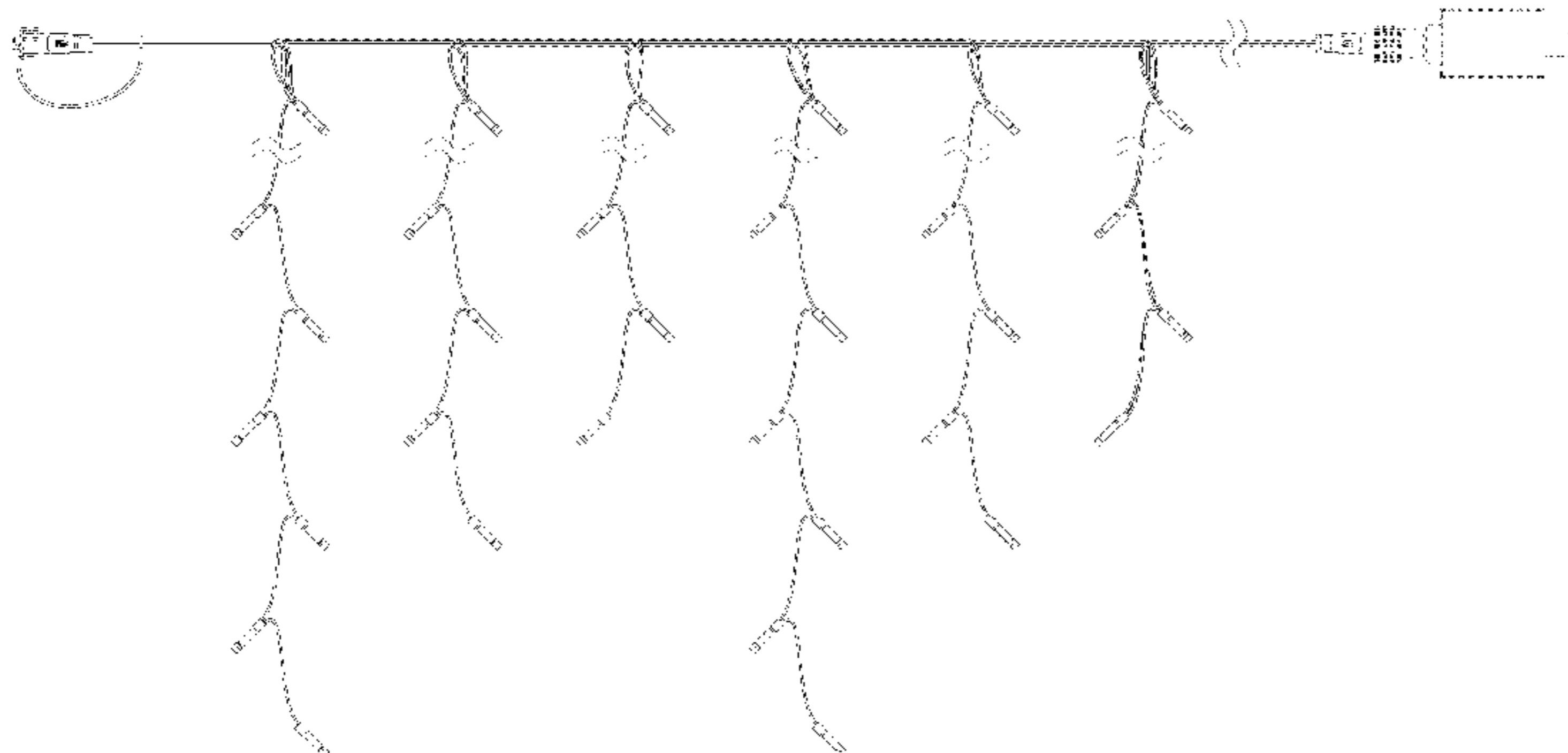
(57) **CLAIM**

The ornamental design for a light, as shown and described.

DESCRIPTION

FIG. 1 is a perspective view of a light showing my new design;
 FIG. 2 is another perspective view thereof;
 FIG. 3 is a front elevational view thereof;
 FIG. 4 is a rear elevational view thereof;
 FIG. 5 is a left side elevational view thereof;
 FIG. 6 is a right side elevational view thereof;
 FIG. 7 is a top plan view thereof;
 FIG. 8 is a bottom plan view thereof; and,
 FIG. 9 is an enlarged view of portion 9 shown in FIG. 2.
 The light is shown with symbolic breaks in its length and the appearance of any portion of the light between the break lines forms no part of the claimed design. The broken lines in the drawings depict portions of the light that form no part of the claimed design. The dash-dot broken lines in FIGS. 2 and 9 are for the purpose of illustrating the boundaries of the enlarged fragment shown in FIG. 9 and form no part of the claimed design.

1 Claim, 9 Drawing Sheets



(56)

References Cited

U.S. PATENT DOCUMENTS

D873,445 S	1/2020	Chen	
D880,022 S *	3/2020	Gong D26/25
D889,696 S	7/2020	Cao	
D908,933 S *	1/2021	Wu D26/25
D910,216 S *	2/2021	Liu D26/25
D914,253 S *	3/2021	Kuang D26/25
D915,643 S *	4/2021	Liang D26/25
D917,083 S *	4/2021	Zhou D26/25
D917,741 S *	4/2021	Kuang D26/25
D924,448 S *	7/2021	Zhou D26/21
D924,449 S *	7/2021	Zhang D26/25
2004/0012963 A1 *	1/2004	Fan Wong F21V 31/005 362/267
2008/0049424 A1 *	2/2008	Wang F21V 23/06 362/249.01
2010/0226132 A1 *	9/2010	Kawakubo F21K 9/00 362/311.02
2014/0028201 A1 *	1/2014	Chang F21S 4/10 315/185 R
2018/0106449 A1 *	4/2018	Kitaoka F21S 41/173
2021/0071826 A1 *	3/2021	Tsai F21S 4/10

OTHER PUBLICATIONS

Netta Icicle Lights, Aug. 6, 2019, Amazon.co.uk, site visited: Aug. 17, 2021, url: <https://www.amazon.co.uk/dp/B07W85QNY5?th=1> (Year: 2019).*

Jar-Owl LED Solar Icicle String Lights, Oct. 21, 2019, site visited: Aug. 16, 2021, url: <https://www.amazon.com/dp/B07TB2HS45> (Year: 2019).*

* cited by examiner

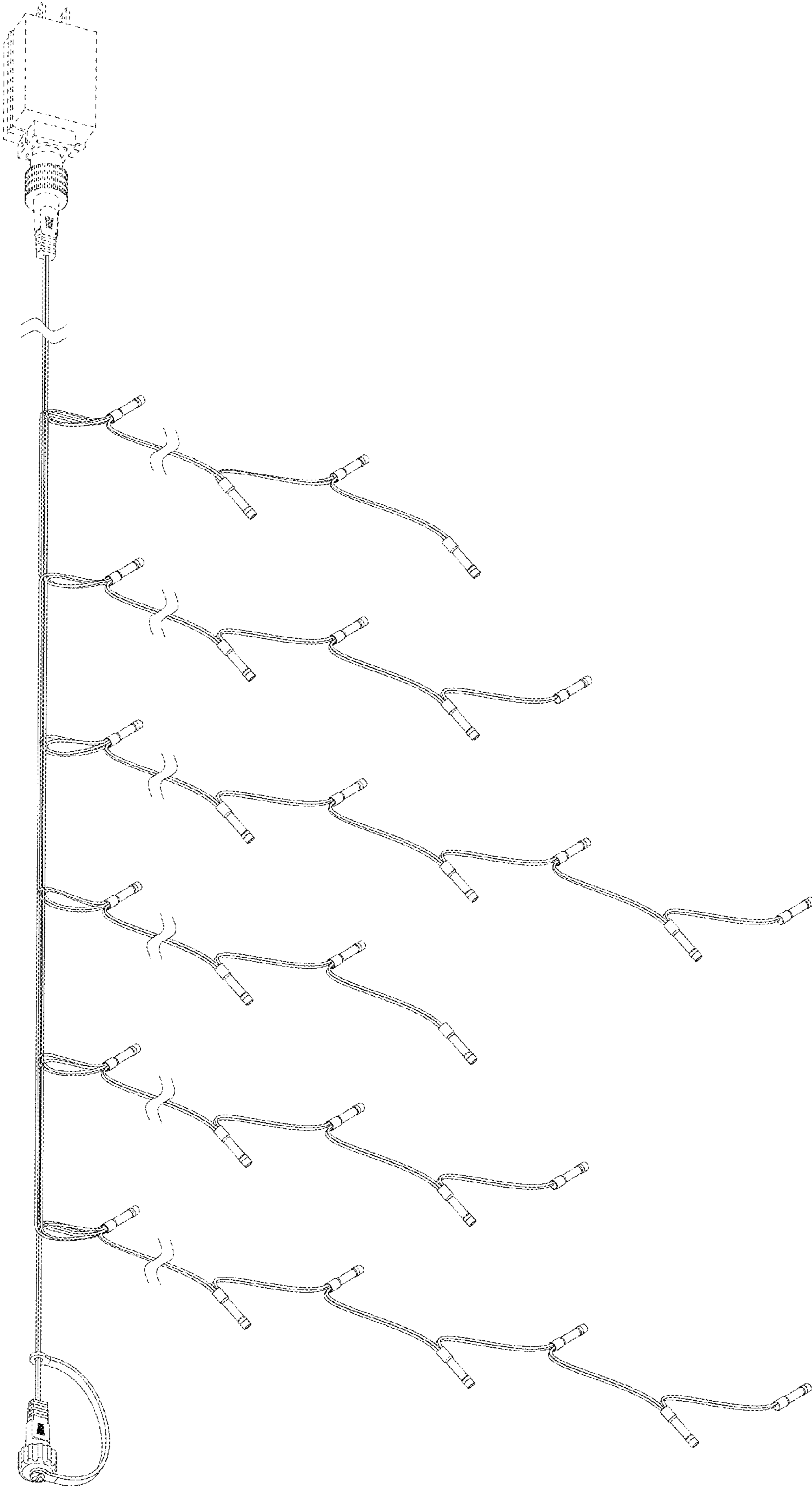


FIG. 1

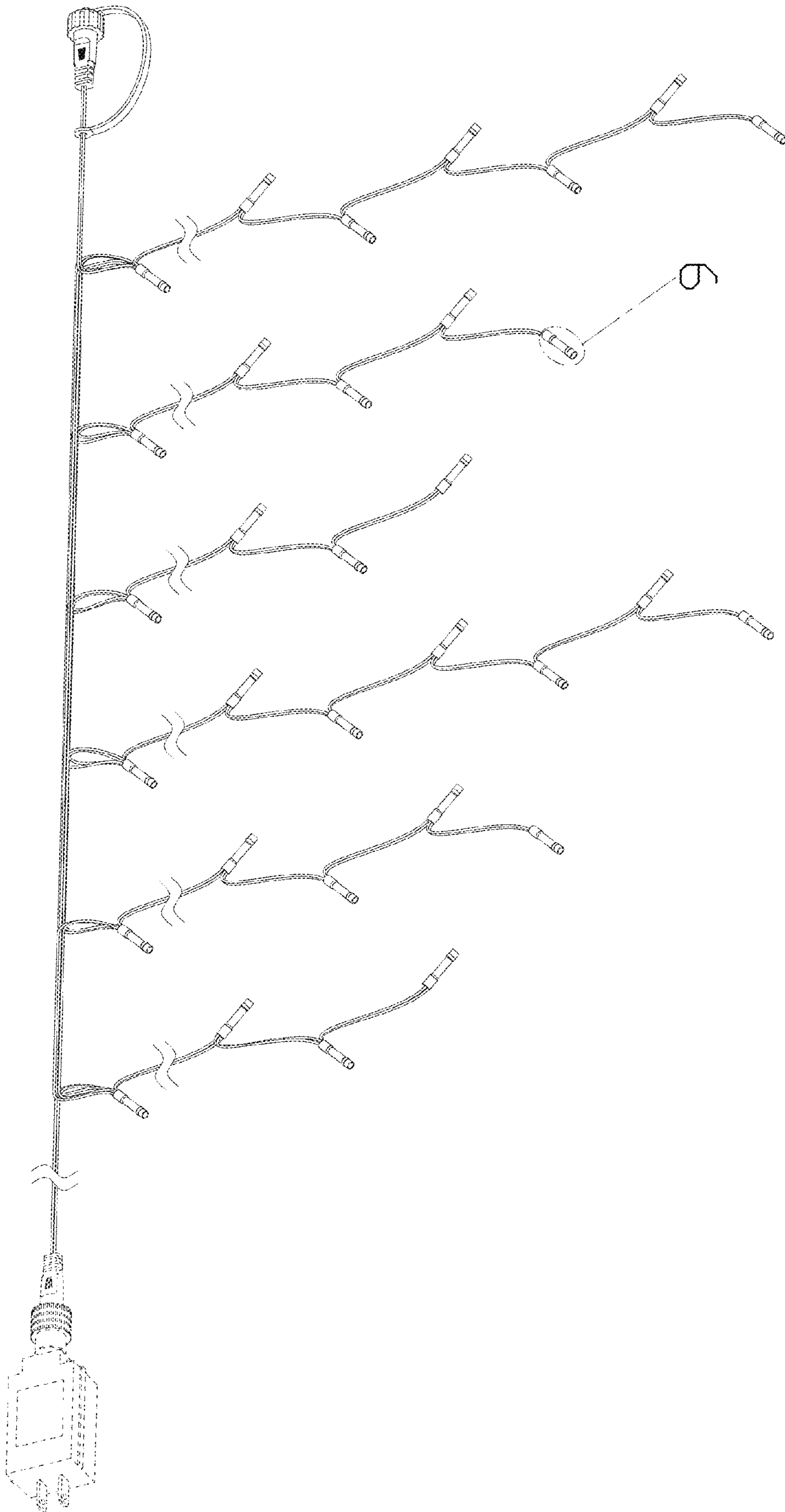


FIG. 2

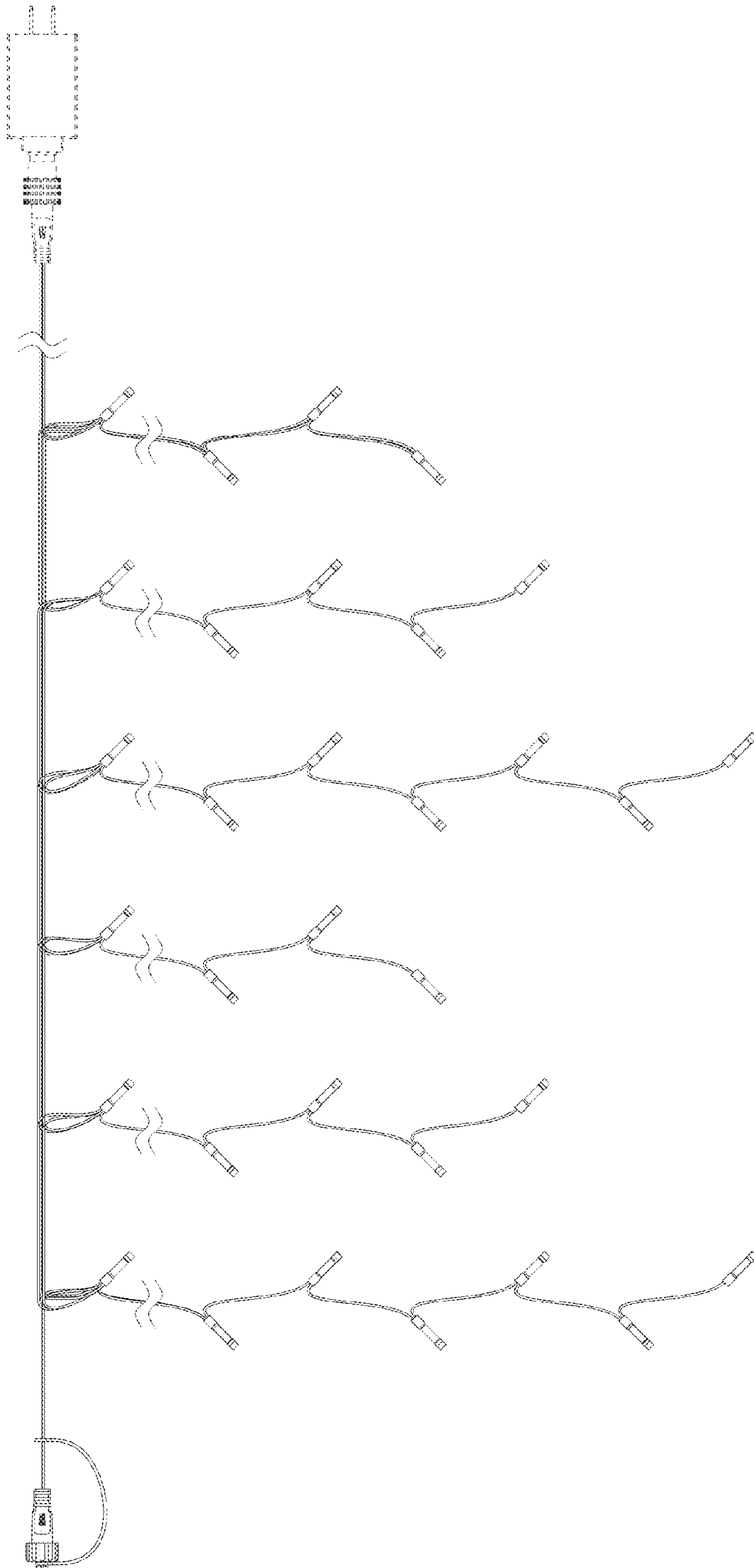


FIG. 3

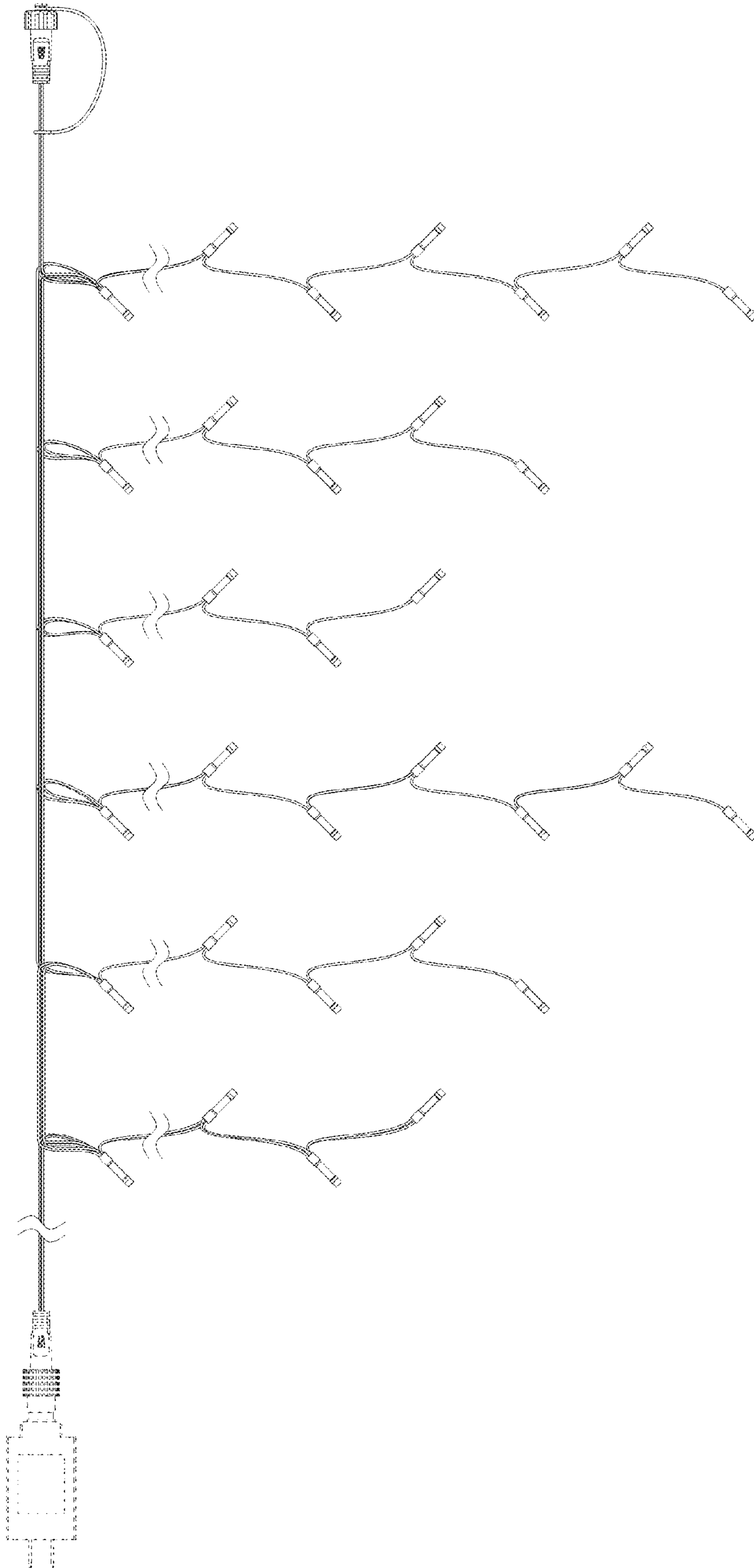


FIG. 4



FIG. 5

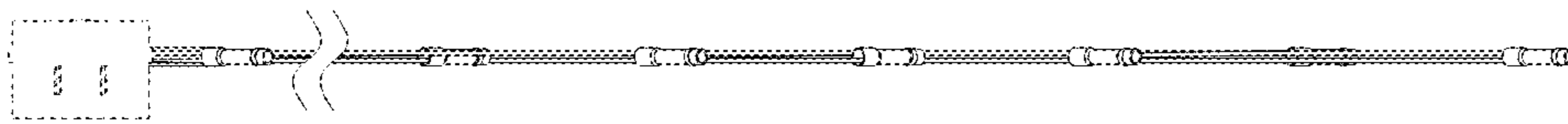


FIG. 6

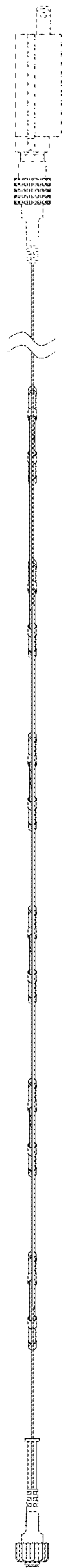


FIG. 7

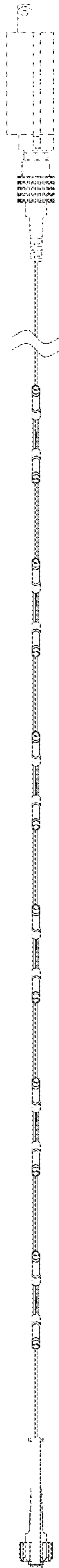


FIG. 8

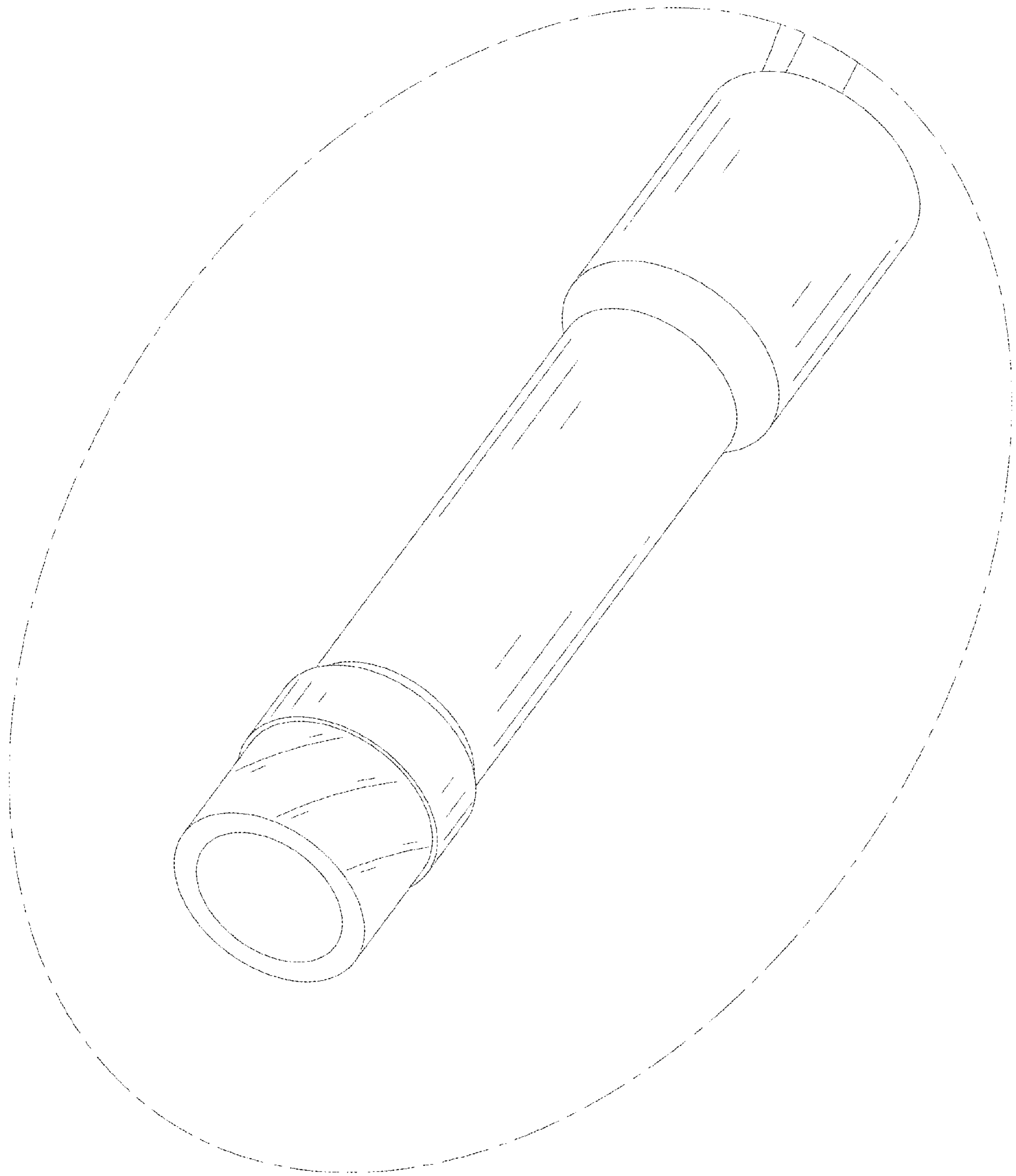


FIG. 9