



US00D937448S

(12) **United States Design Patent** (10) **Patent No.:** **US D937,448 S**
Mazeaud (45) **Date of Patent:** **** Nov. 30, 2021**

(54) **ILLUMINATION AND LIGHTING DEVICE**

(71) Applicant: **TPL VISION UK LIMITED**, Charing (GB)
(72) Inventor: **Guillaume Georges Jean Mazeaud**, Charing (GB)

(**) Term: **15 Years**

(21) Appl. No.: **35/508,691**

(22) Filed: **Apr. 9, 2019**

(80) **Hague Agreement Data**

Int. Filing Date: **Apr. 9, 2019**
Int. Reg. No.: **DM/206002**
Int. Reg. Date: **Apr. 9, 2019**
Int. Reg. Pub. Date: **Feb. 28, 2020**

(30) **Foreign Application Priority Data**

Oct. 24, 2018 (EM) 005807575-0001

(51) **LOC (13) Cl.** **26-03**

(52) **U.S. Cl.**
USPC **D26/24**
CPC **F21V 1/00** (2013.01)

(58) **Field of Classification Search**

USPC D26/24, 28-36, 81, 83, 118, 119;
D10/104.1, 106.1, 114.1, 114.2, 114.3;
362/459-468, 475-478, 485-487
CPC F21V 1/00; F21V 1/02; F21V 1/04; F21V
1/14; F21V 3/00; F21V 3/02; F21V 5/00;
F21V 5/002; F21V 11/00; F21V 11/02;
F21V 11/06; F21V 21/04; F21K 9/23;
F21K 9/232; F21K 9/237; F21S 48/00;
F21S 48/10; F21S 48/115; F21S 48/225;
F21S 48/1233; F21S 48/1266; F21S
48/1388; F21S 48/2268

See application file for complete search history.

(56) **References Cited**

U.S. PATENT DOCUMENTS

D190,922 S *	7/1961	Anthony	D26/24
D709,226 S *	7/2014	DiPenti	F21S 41/39
				D26/28
D760,406 S *	6/2016	Huang	D26/28
D765,287 S *	8/2016	Kosugi	D26/28
D784,599 S *	4/2017	Sibitzky	D26/118
D788,958 S *	6/2017	Ko	D26/28
D793,592 S *	8/2017	Chen	D26/28
D794,844 S *	8/2017	Leban	D26/28
D796,095 S *	8/2017	Huang	D26/28
D798,475 S *	9/2017	Georgitsis	D26/28
D807,538 S *	1/2018	Guercio	D26/24
D815,318 S *	4/2018	LaMarche	D26/28
D827,167 S *	8/2018	Deyaf	D26/28
D839,458 S *	1/2019	Ting	D26/28
D847,392 S *	4/2019	Zipfel	D26/28
D851,297 S *	6/2019	Dennis	D26/28
D853,604 S *	7/2019	Ting	D26/28
D854,204 S *	7/2019	Ting	D26/28
D854,206 S *	7/2019	Yang	D26/36
D889,695 S *	7/2020	Chen	D26/1

(Continued)

Primary Examiner — Richard E Chilcot

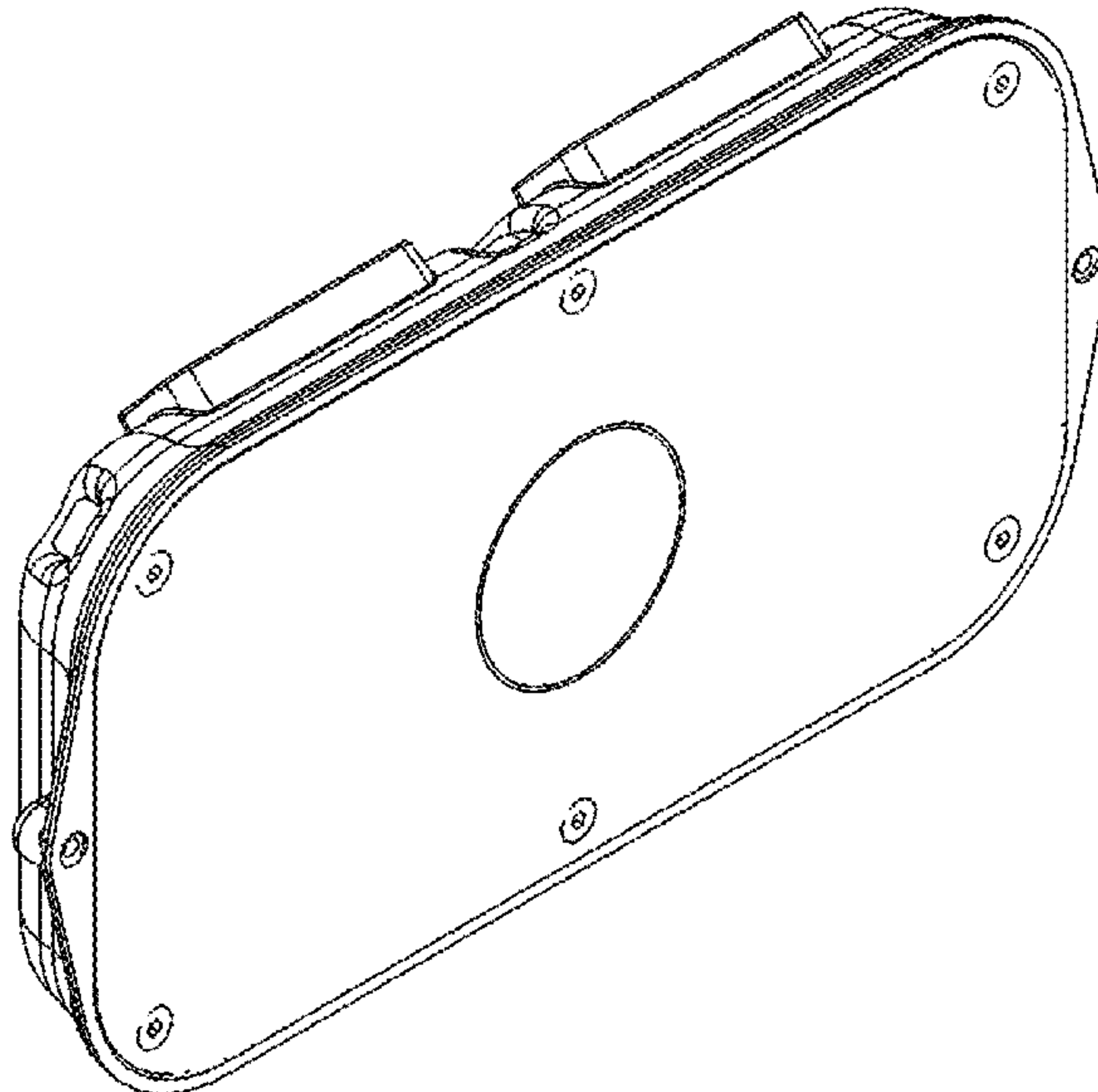
(57) **CLAIM**

The ornamental design for an illumination and lighting device, as shown and described.

DESCRIPTION

1. Illumination and lighting device
FIG. 1.1 is a perspective top, rear side view of the new ornamental design.
FIG. 1.2 is a left side view of the new design.
FIG. 1.3 is a perspective top, front side view of the new design.
FIG. 1.4 is an angled top, front side view of the new design.
FIG. 1.5 is an angled right, rear side view of the new design.
FIG. 1.6 is a rear view of the new design.
FIG. 1.7 is a perspective top, rear side view of the new design.

1 Claim, 7 Drawing Sheets



(56)

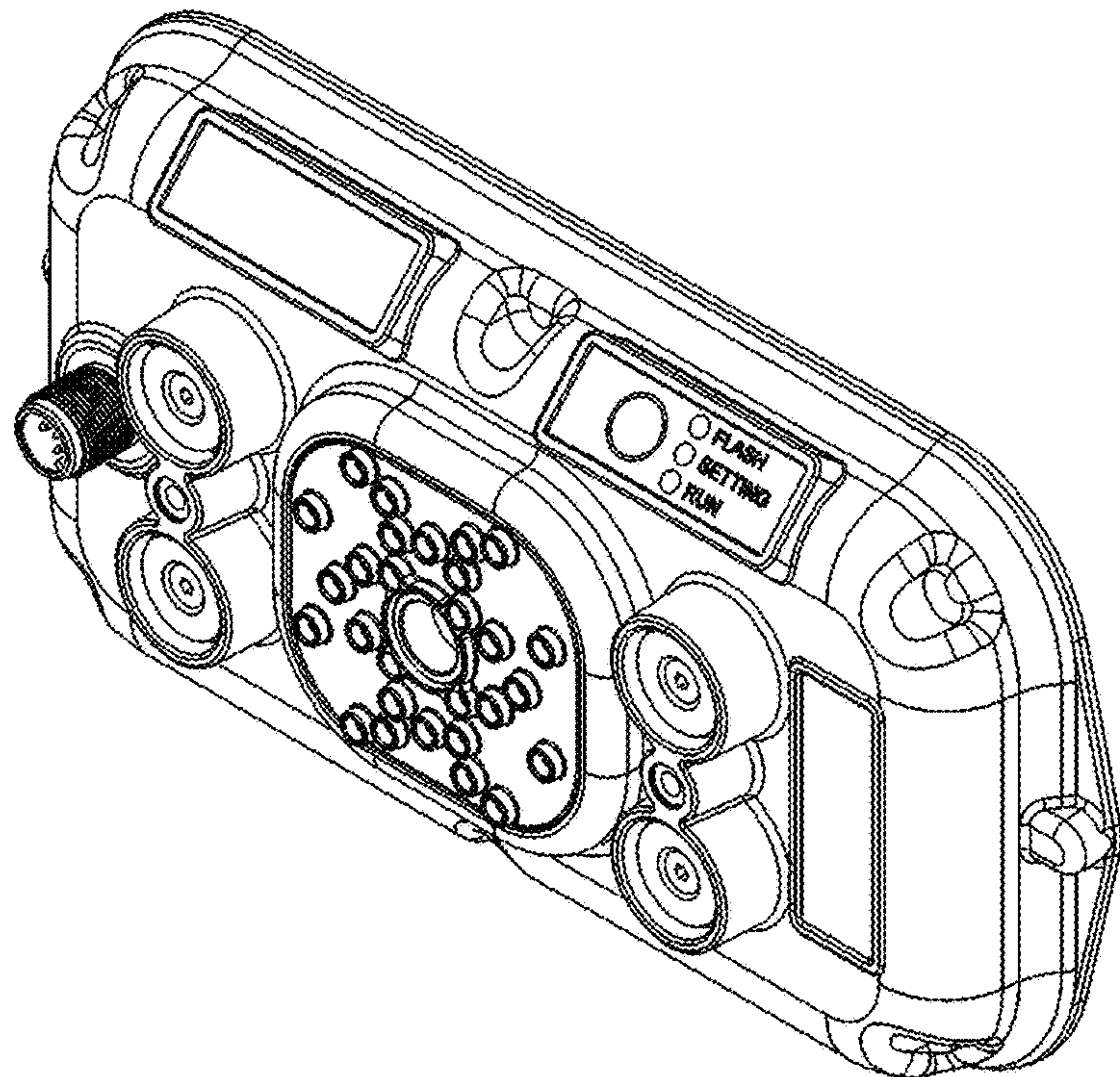
References Cited

U.S. PATENT DOCUMENTS

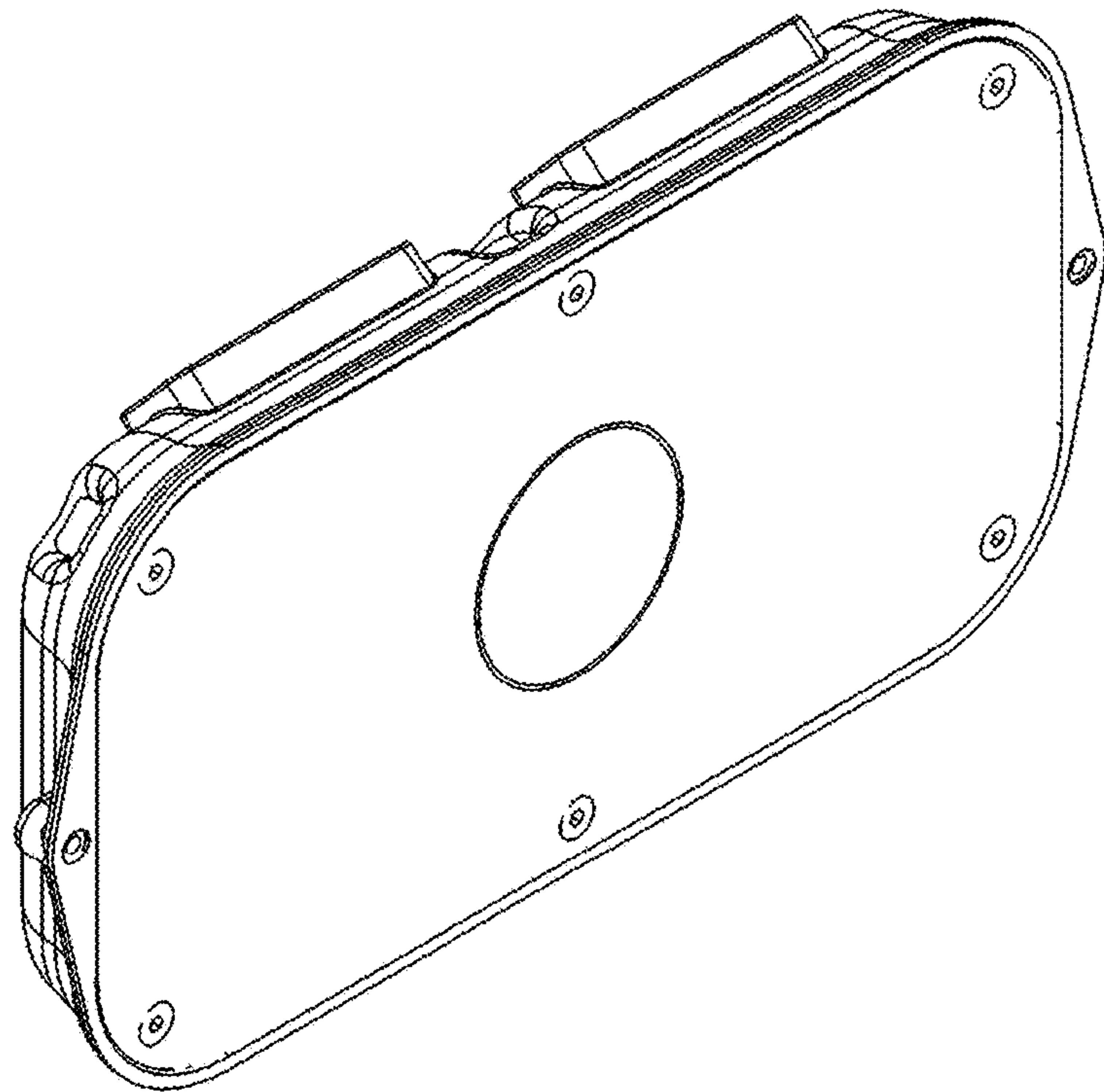
D900,379 S * 10/2020 McLaughlin D26/118
2017/0211762 A1 * 7/2017 Thomas F21V 15/01

* cited by examiner

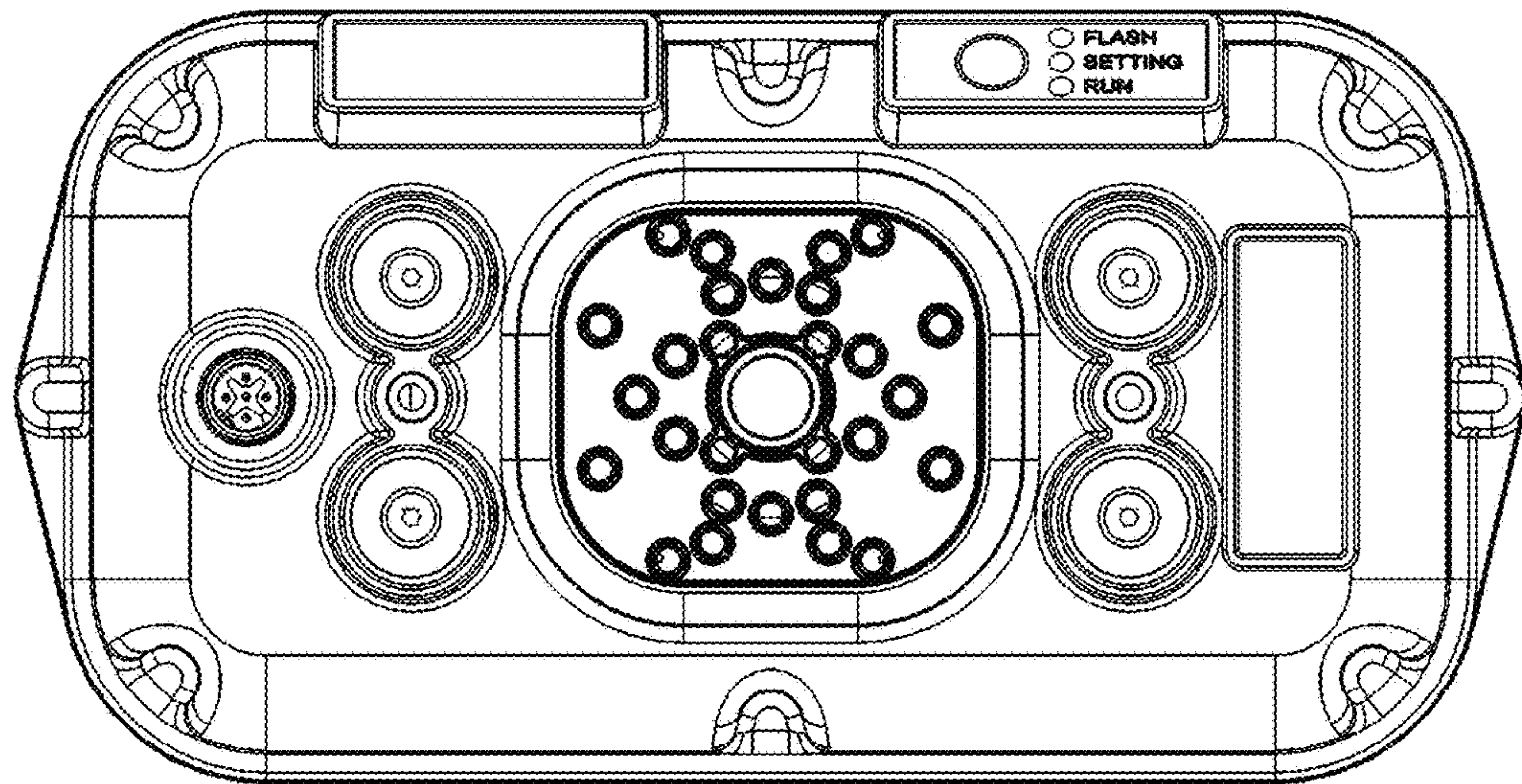
1.1



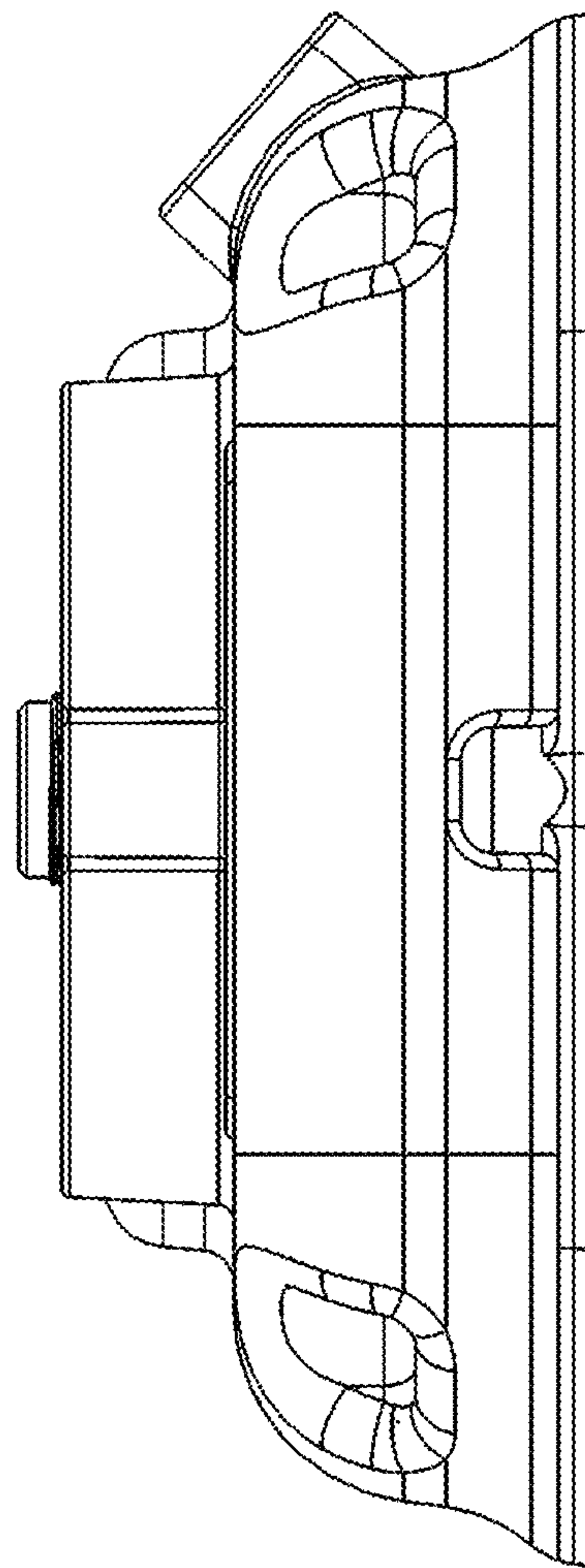
1.2



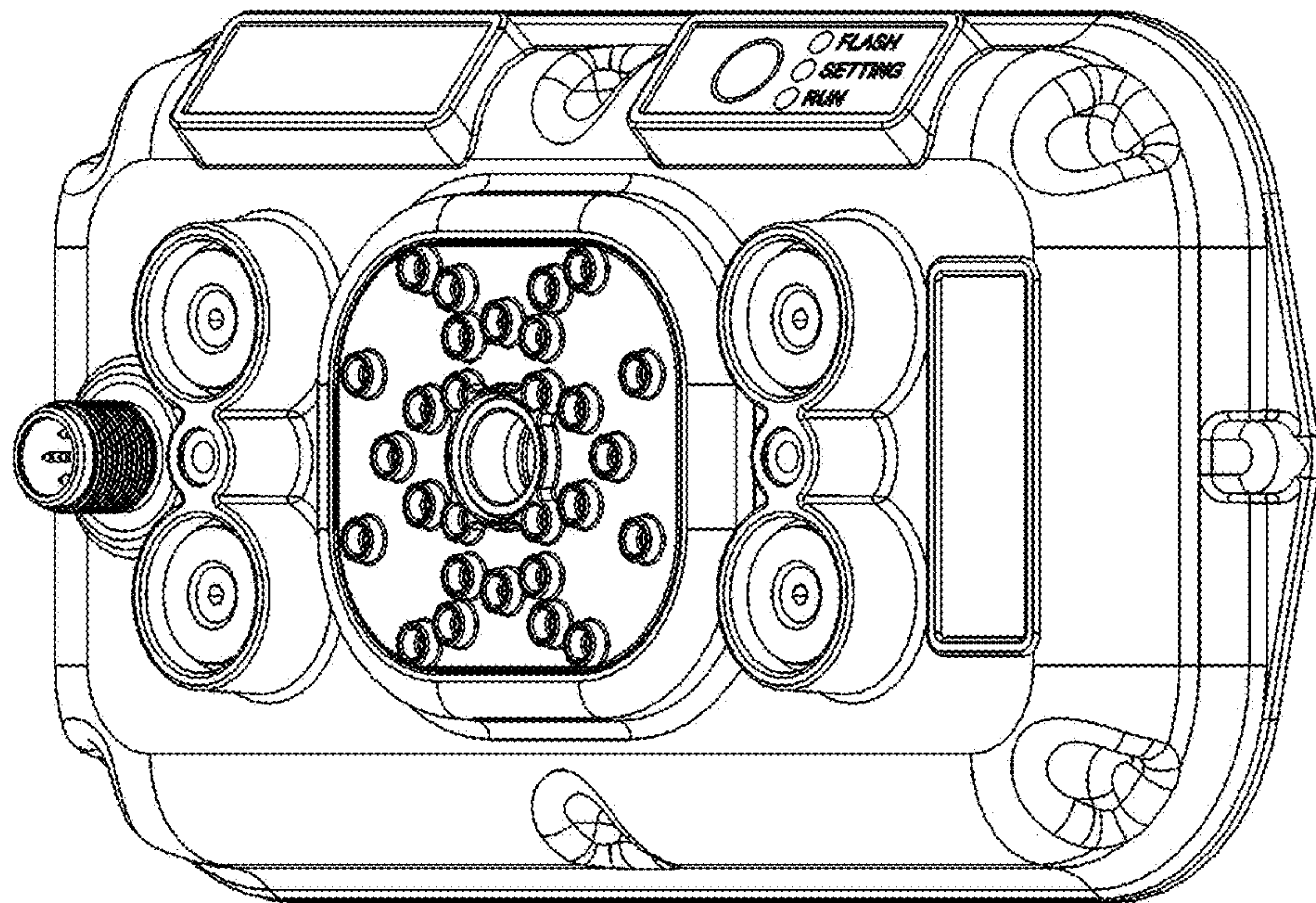
1.3



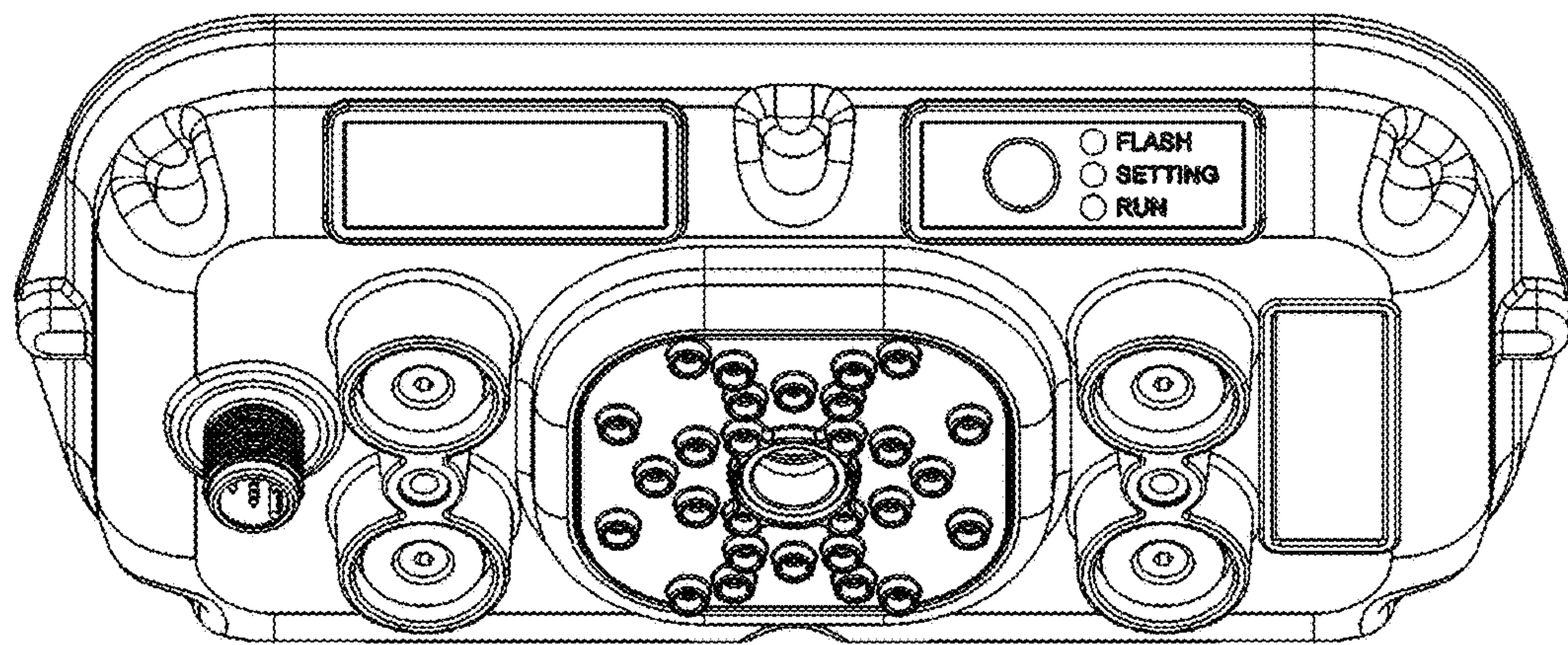
1.4



1.5



1.6



1.7

