



US00D937446S

(12) **United States Design Patent** (10) **Patent No.:** **US D937,446 S**
Jiang (45) **Date of Patent:** **** Nov. 30, 2021**

(54) **PORTION OF LIGHT BULB**

D548,369 S * 8/2007 Bembridge D26/2

* cited by examiner

(71) Applicant: **JIAXING SUPER LIGHTING
ELECTRIC APPLIANCE CO., LTD,**
Zhejiang (CN)

Primary Examiner — Marcus A Jackson

(72) Inventor: **Tao Jiang,** Zhejiang (CN)

(74) *Attorney, Agent, or Firm* — Andrew M. Calderon;
Roberts Calderon Safran & Cole, P.C.

(73) Assignee: **JIAXING SUPER LIGHTING
ELECTRIC APPLIANCE CO., LTD,**
Zhejiang (CN)

(57) **CLAIM**

The ornamental design for a portion of light bulb, as shown and described.

(**) Term: **15 Years**

(21) Appl. No.: **29/733,233**

DESCRIPTION

(22) Filed: **Apr. 30, 2020**

(30) **Foreign Application Priority Data**

Dec. 25, 2019 (CN) 201930726614.1
Apr. 16, 2020 (CN) 202030152412.3

(51) **LOC (13) Cl.** **26-04**

(52) **U.S. Cl.**
USPC **D26/2**

(58) **Field of Classification Search**
USPC D26/1–11
CPC H01R 5/00; H01R 13/46; H01R 13/514;
H01R 31/02; H01R 31/048; H01J 5/00;
H01J 5/16; H01J 1/02; H01J 15/00; H01J
5/48; H01J 5/50; H01J 19/54; F21V 5/00;
F21K 9/00; F21K 13/00

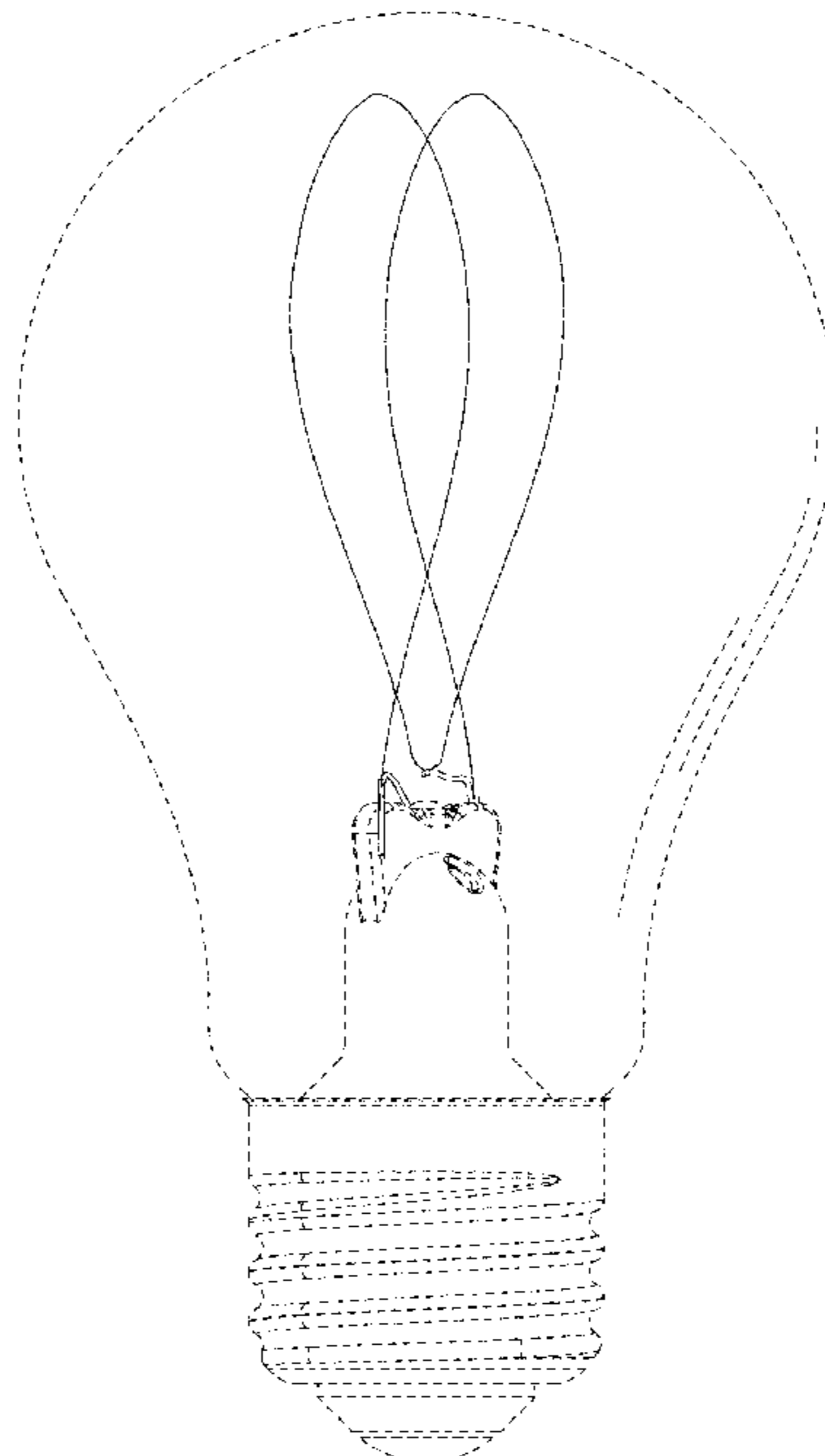
See application file for complete search history.

(56) **References Cited**

U.S. PATENT DOCUMENTS

D422,099 S * 3/2000 Kracke D26/2

1 Claim, 12 Drawing Sheets



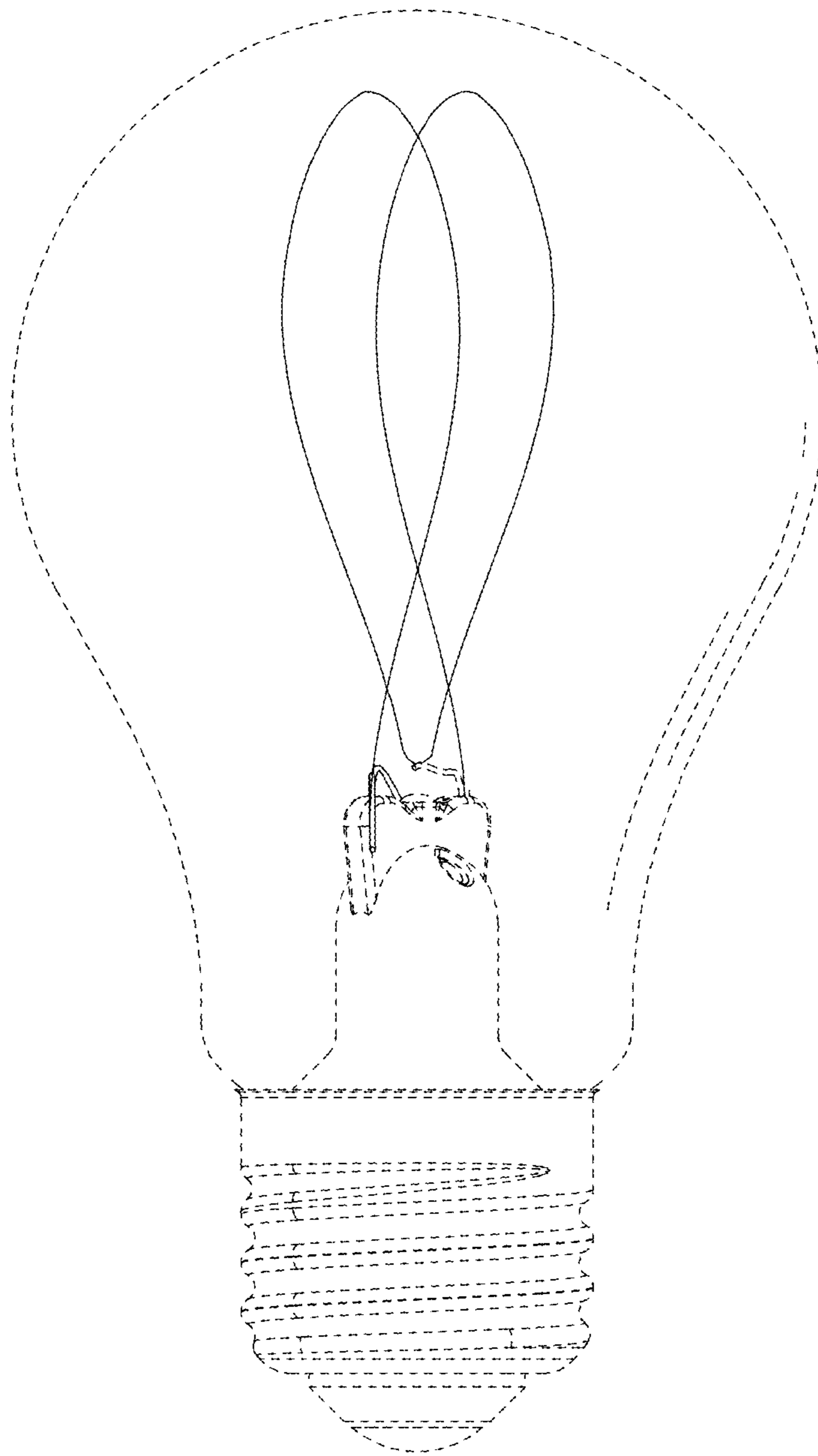


FIG. 1

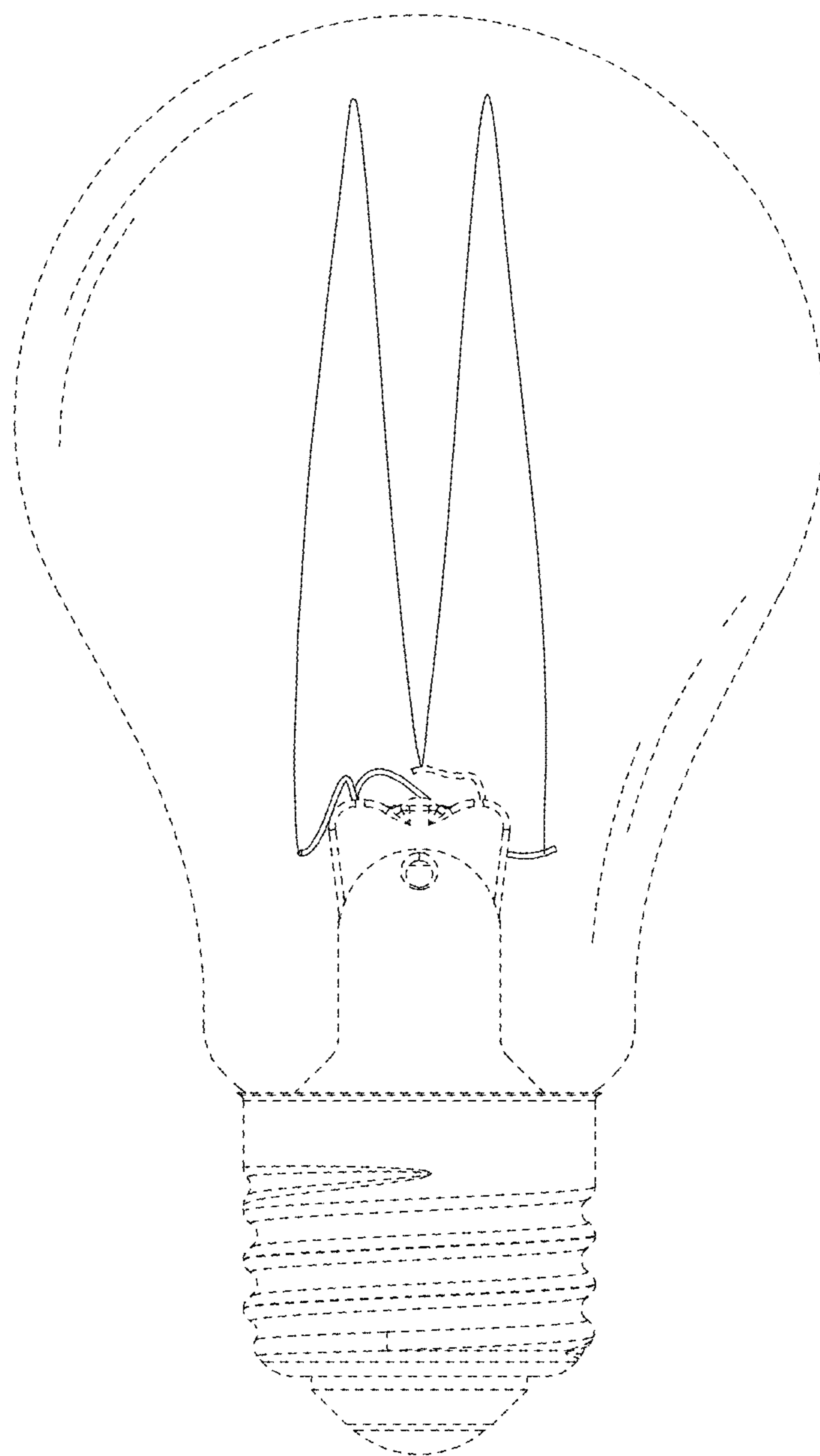


FIG. 2

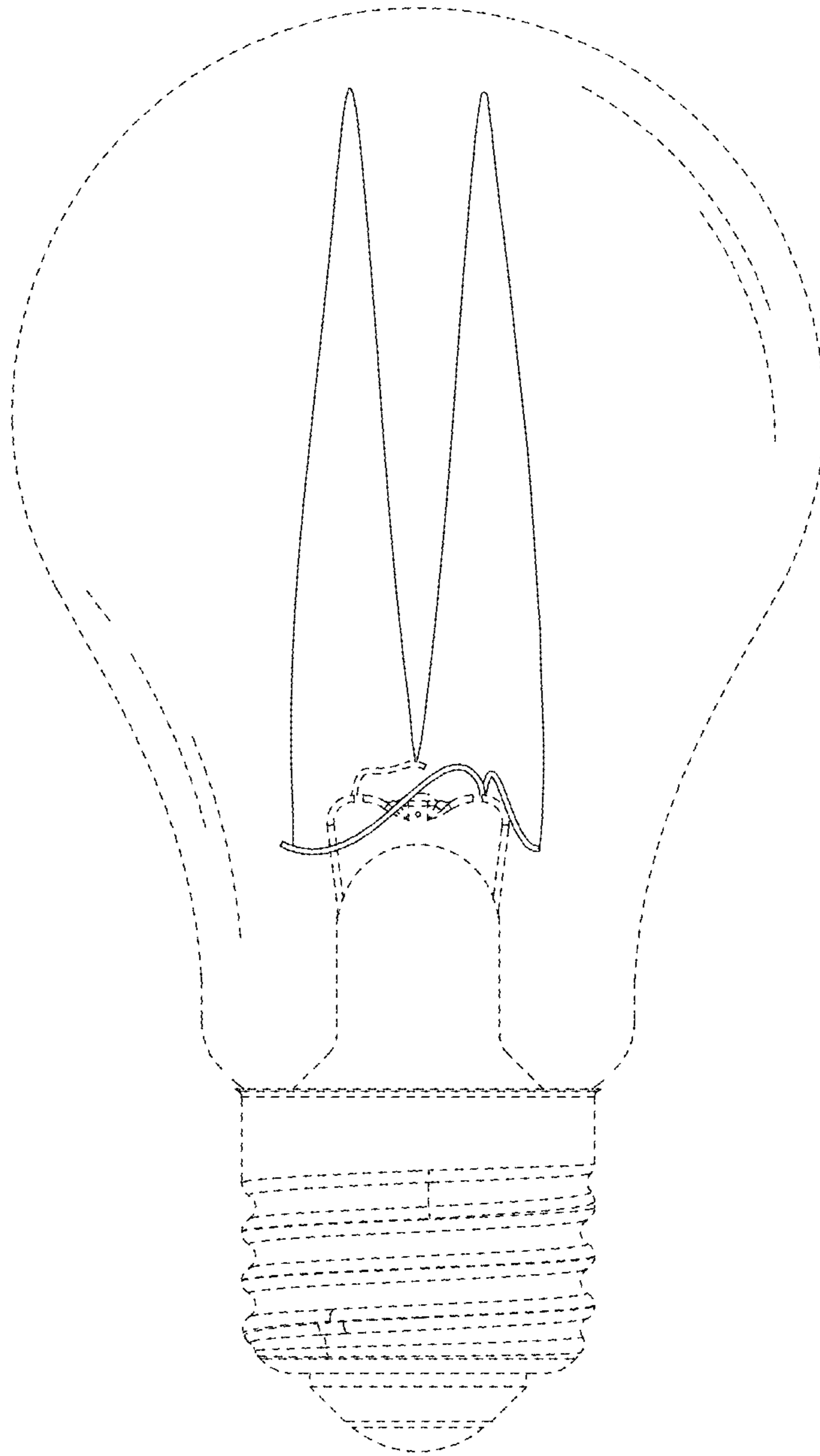


FIG. 3

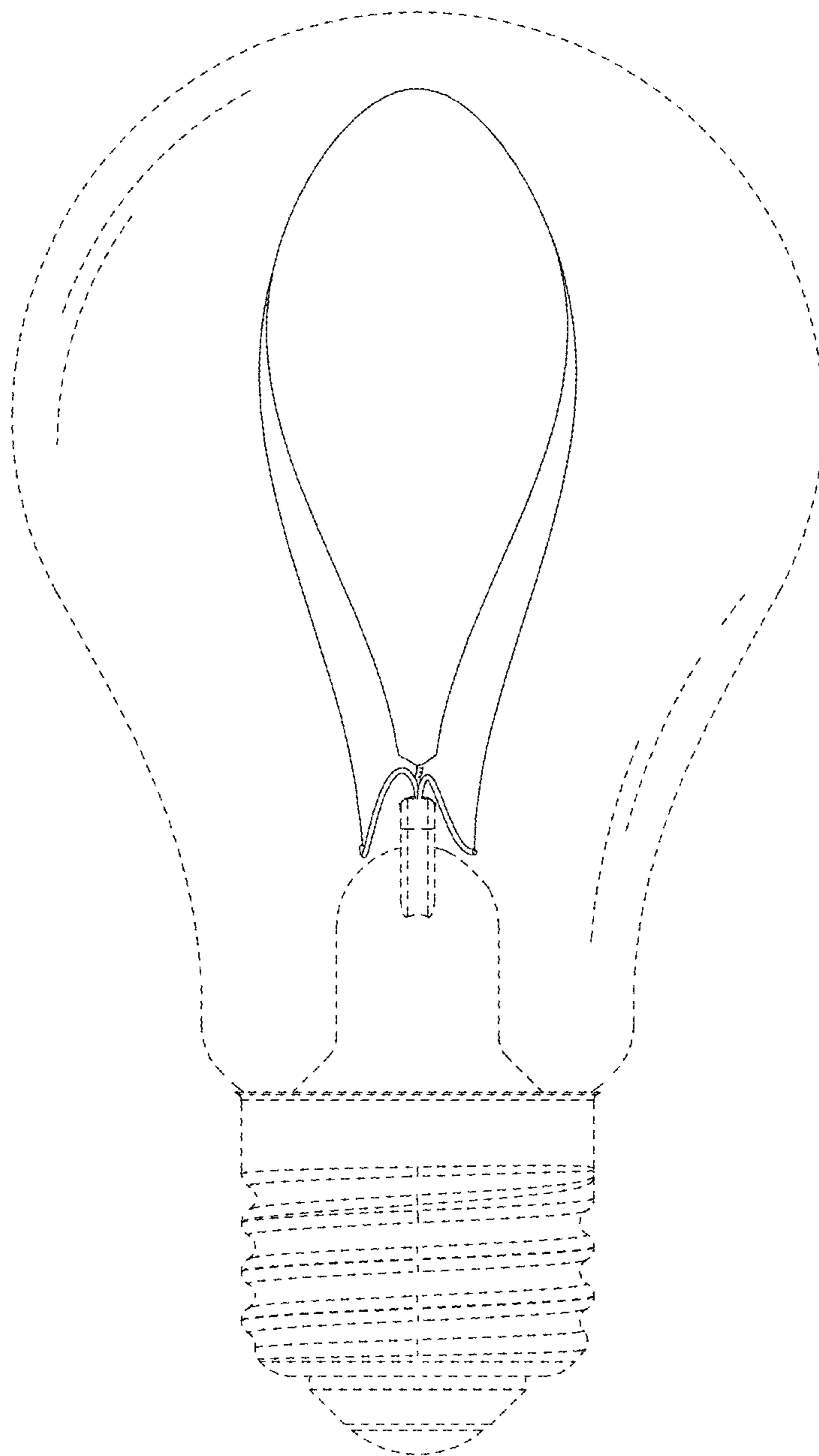


FIG. 4

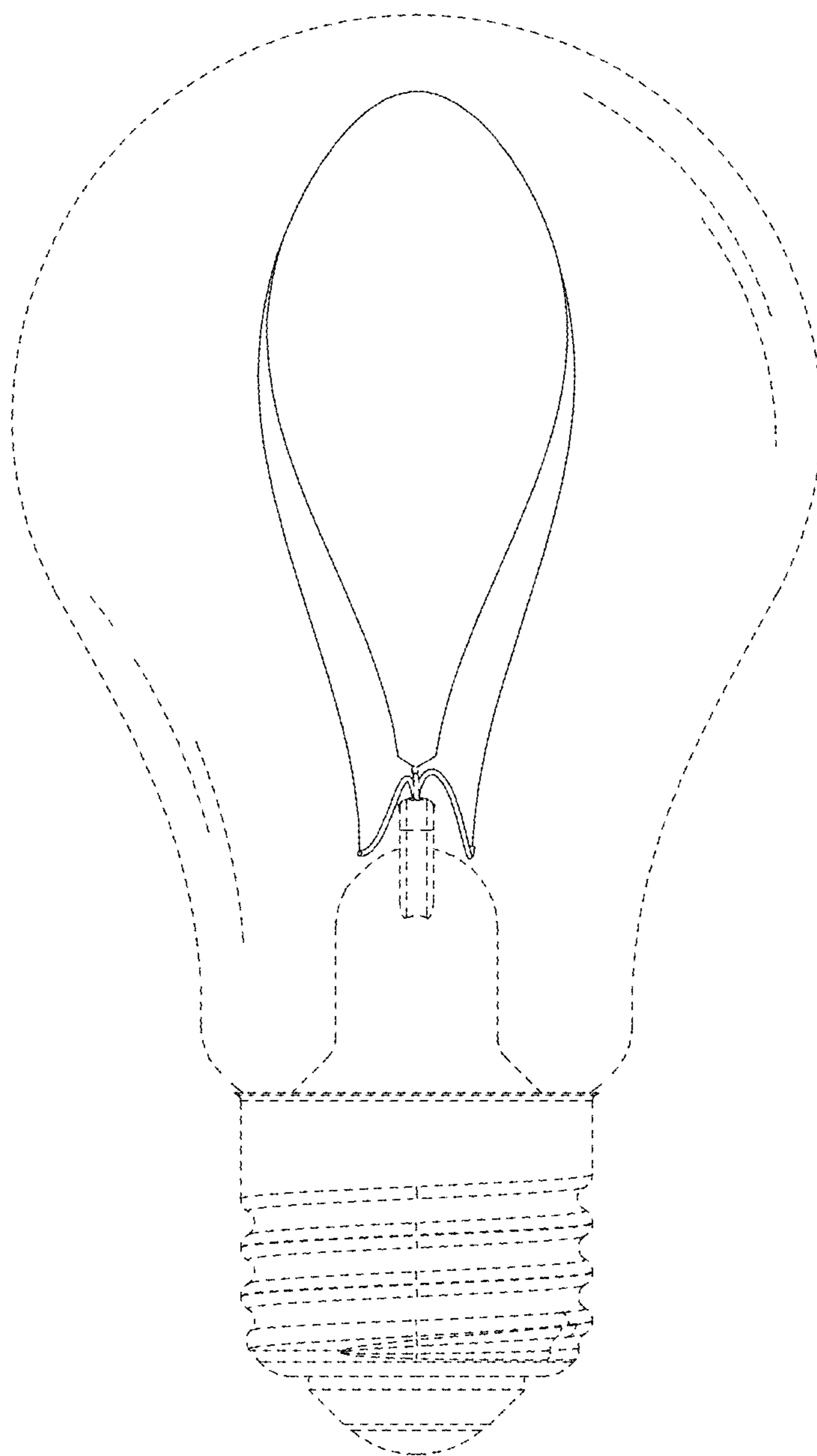


FIG. 5

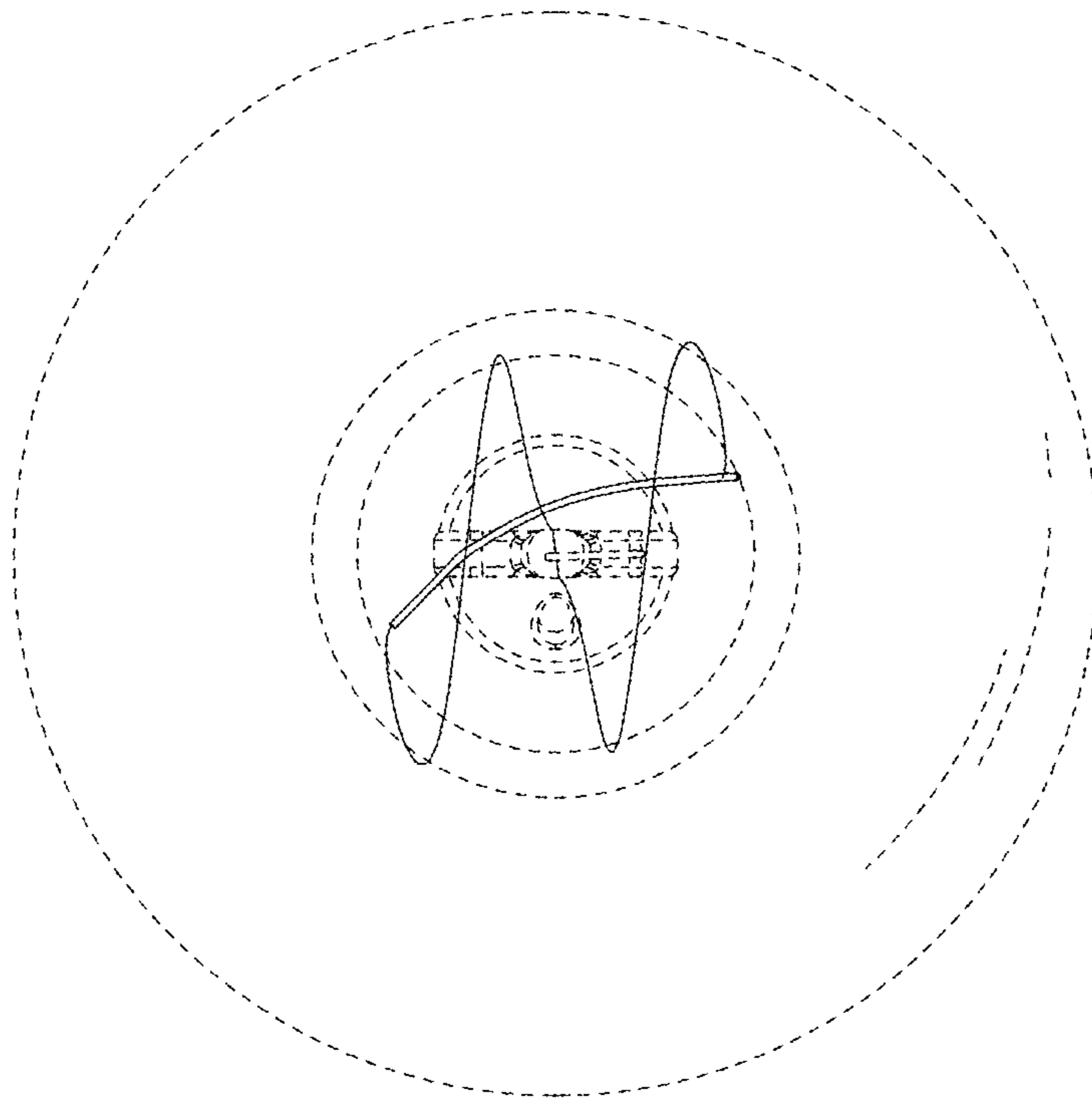


FIG. 6

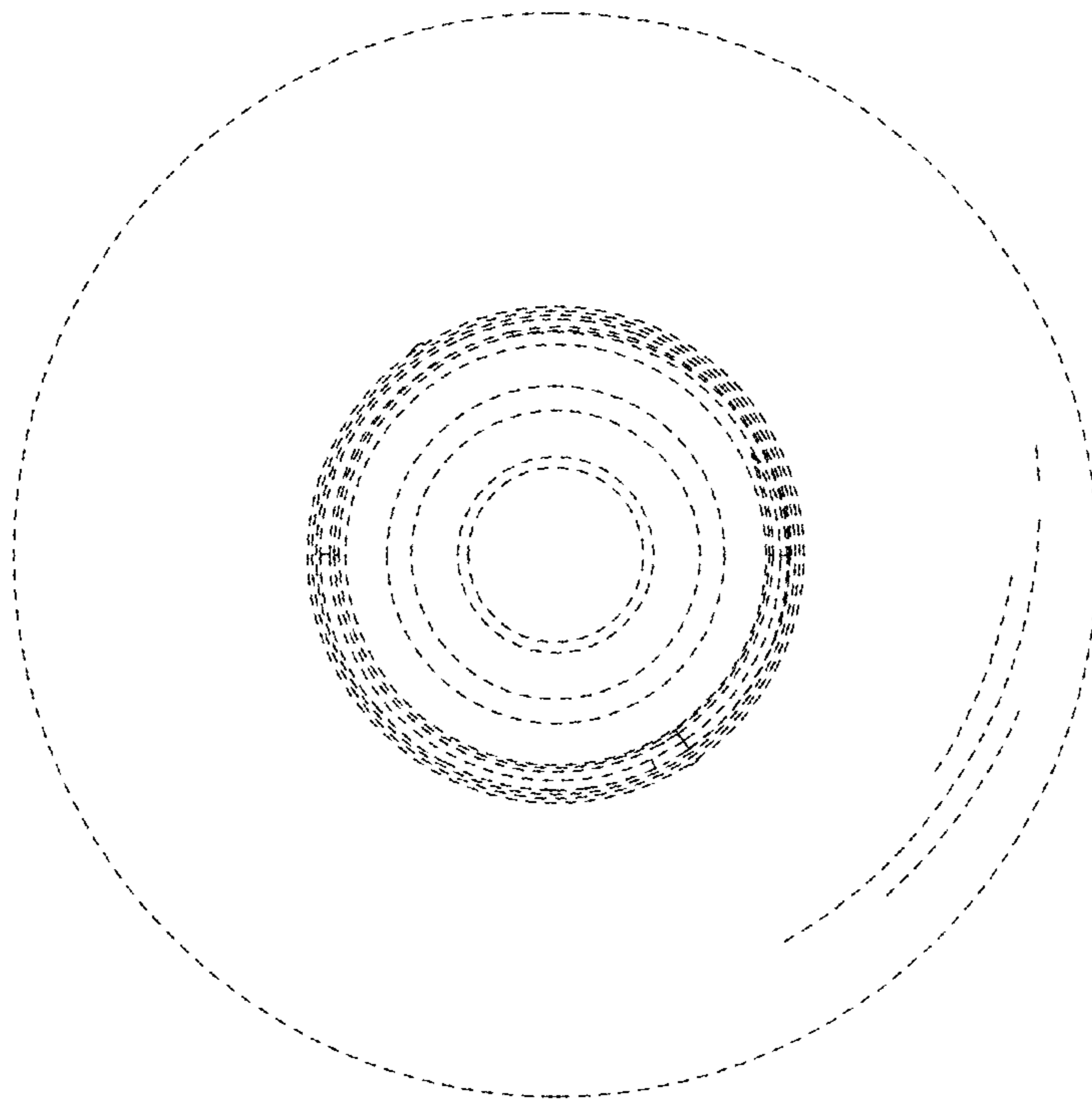


FIG. 7

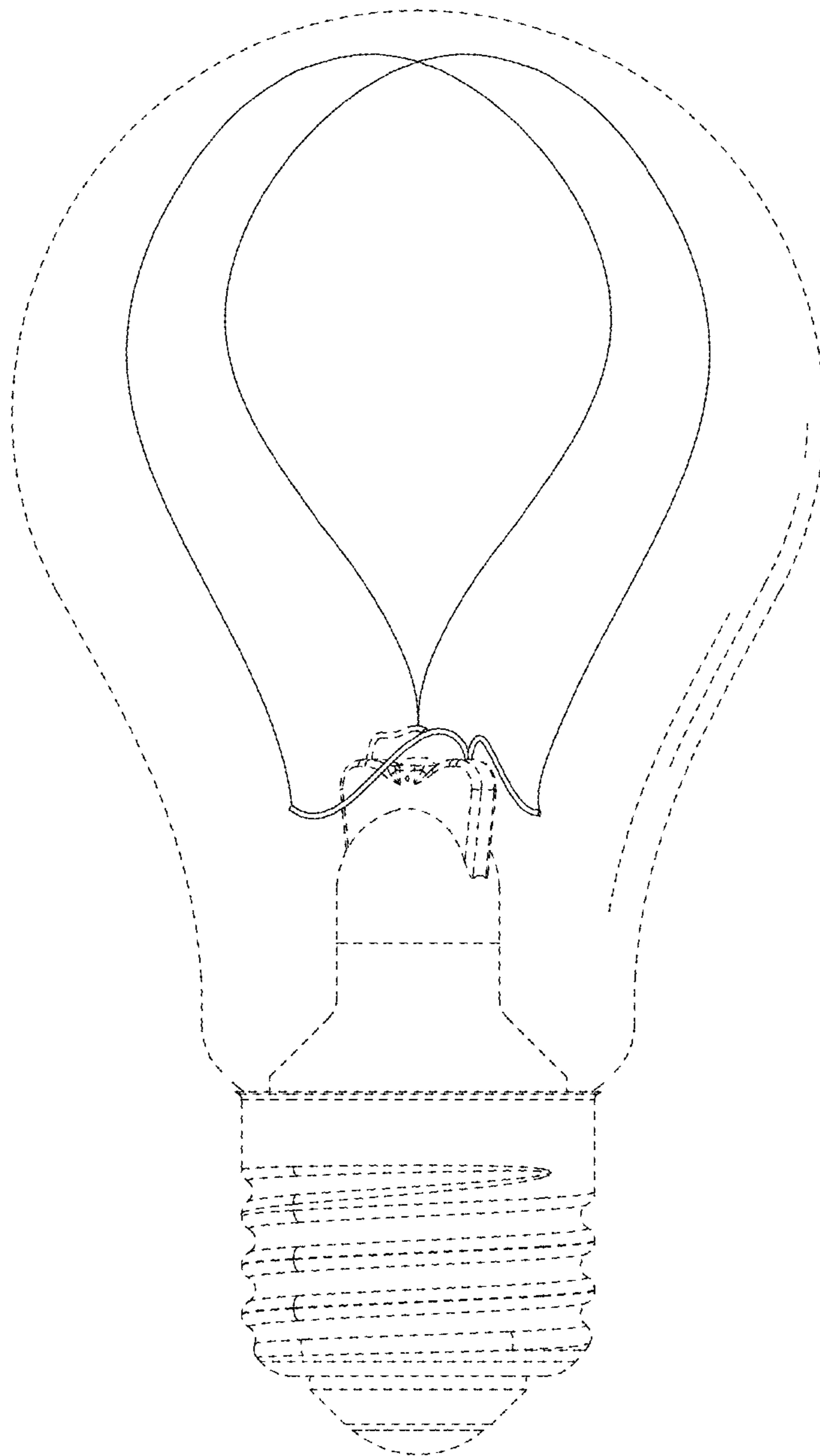


FIG. 8

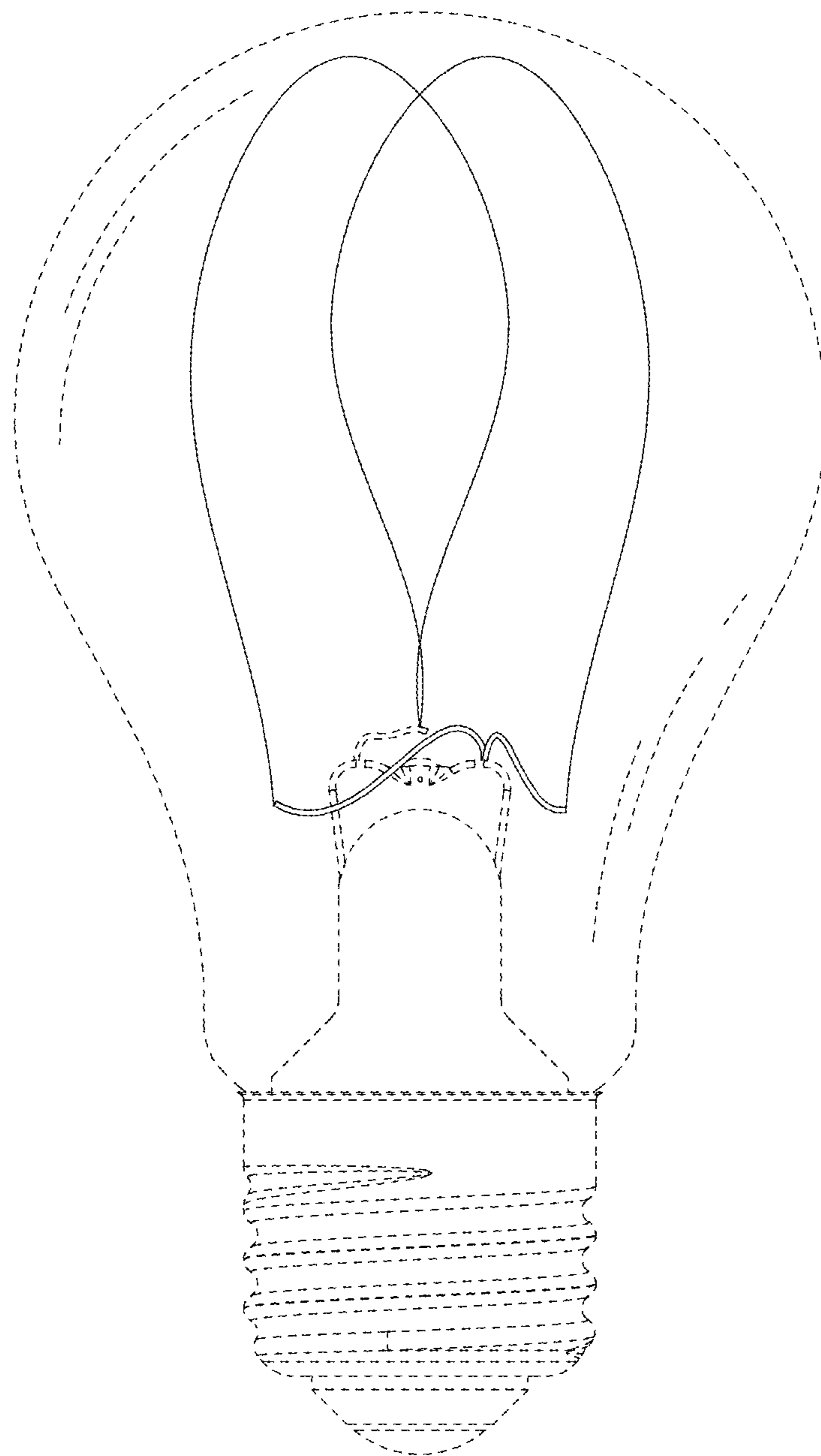


FIG. 9

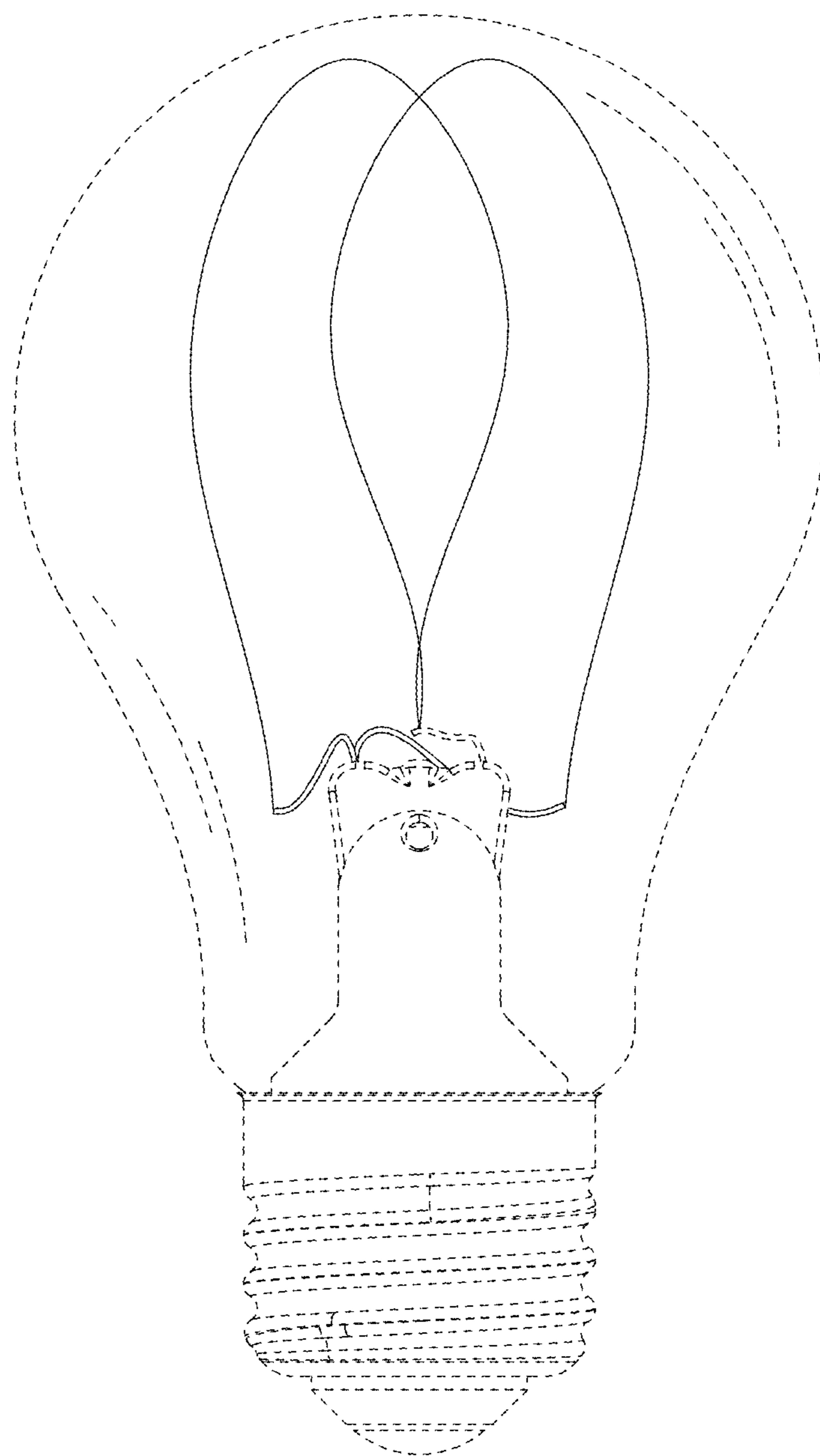


FIG. 10

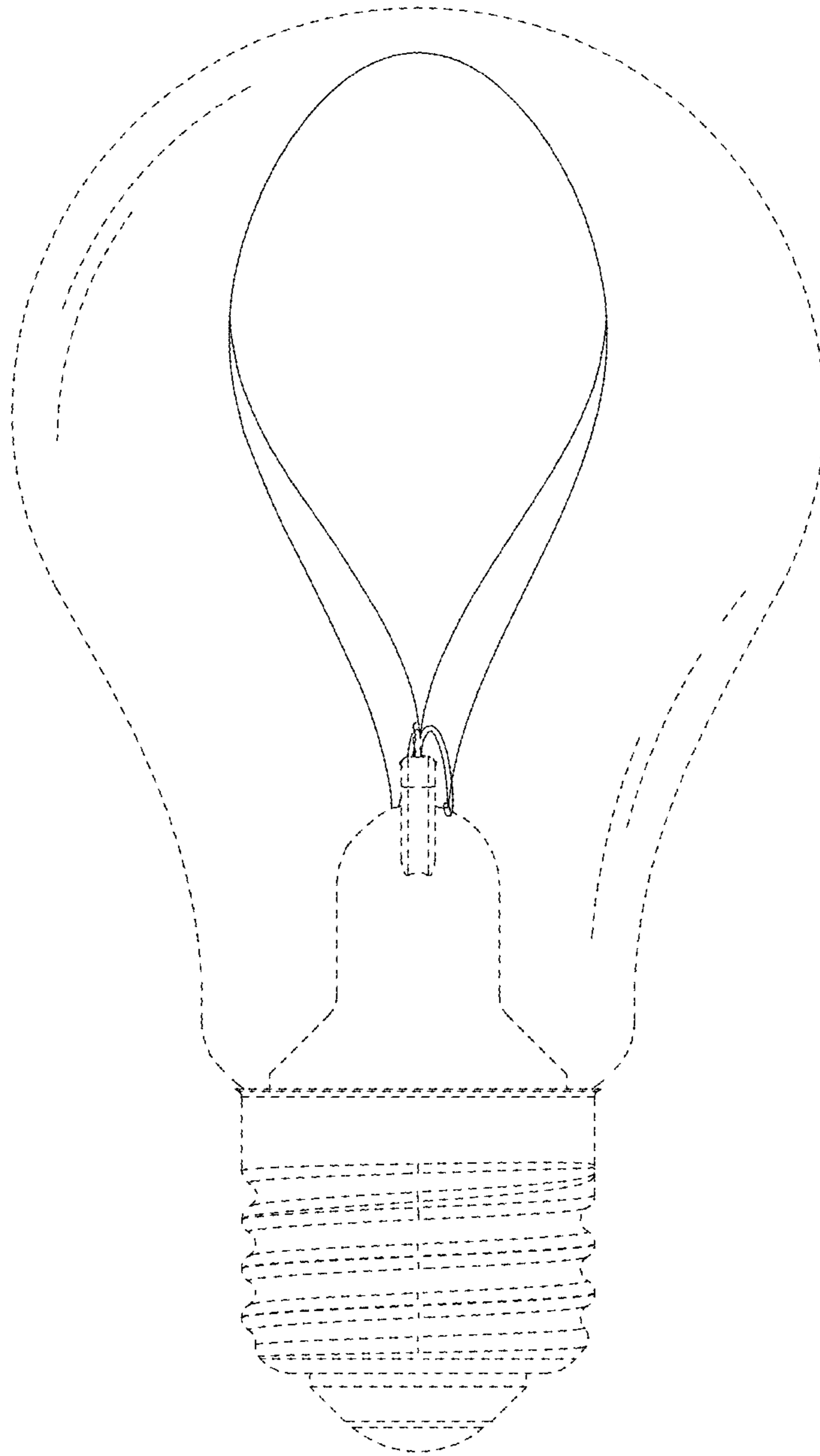


FIG. 11

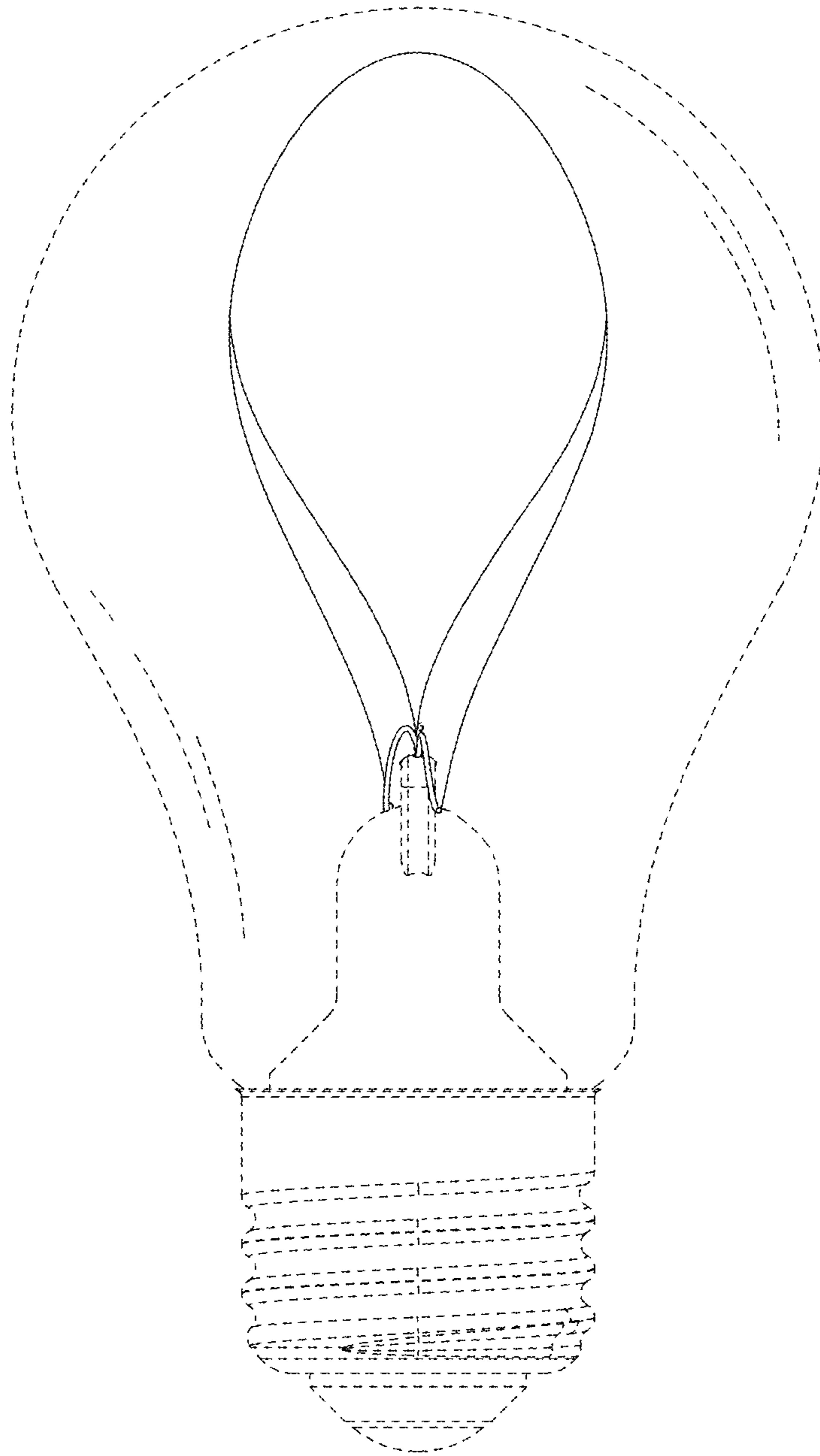


FIG. 12

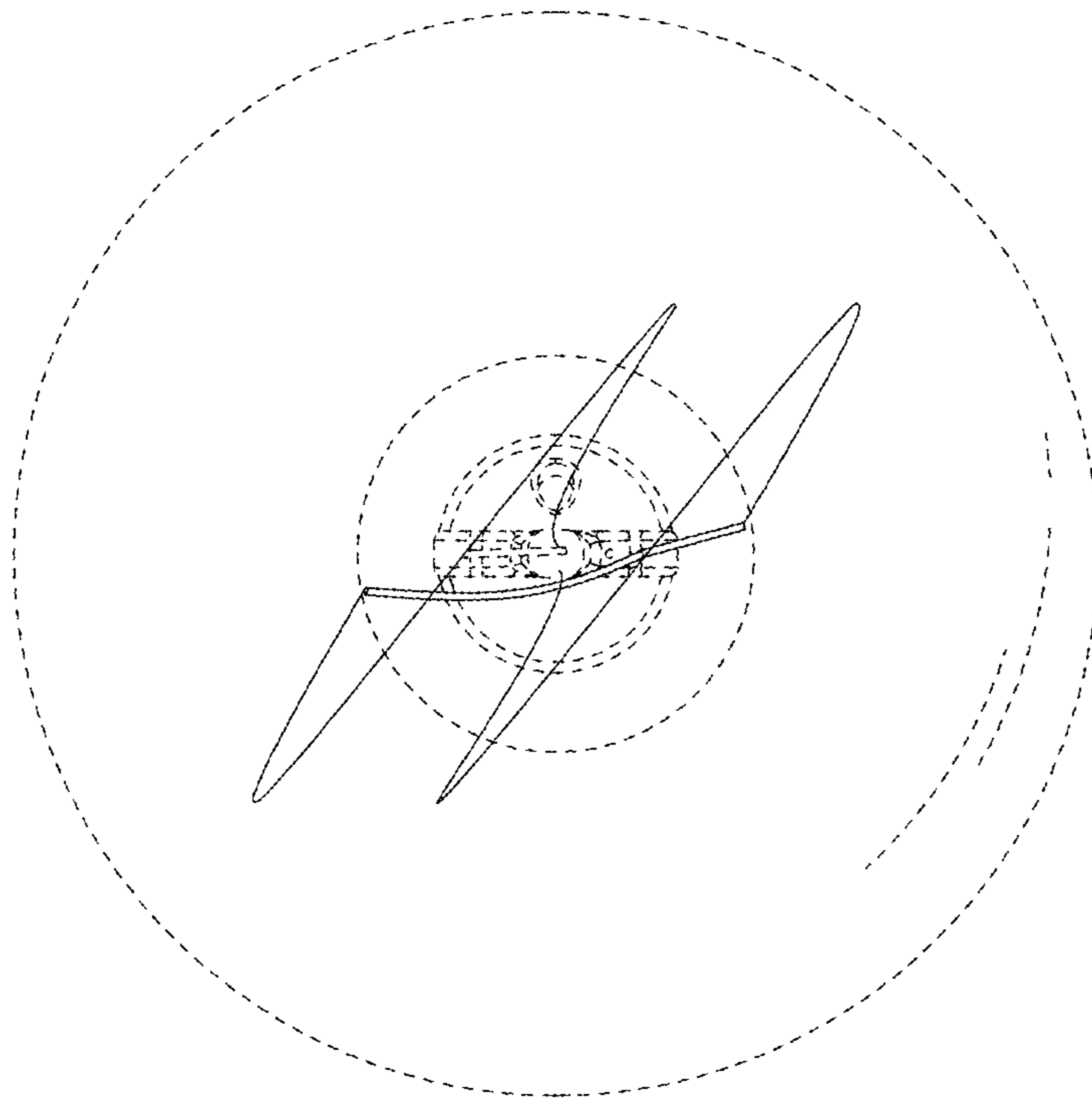


FIG. 13

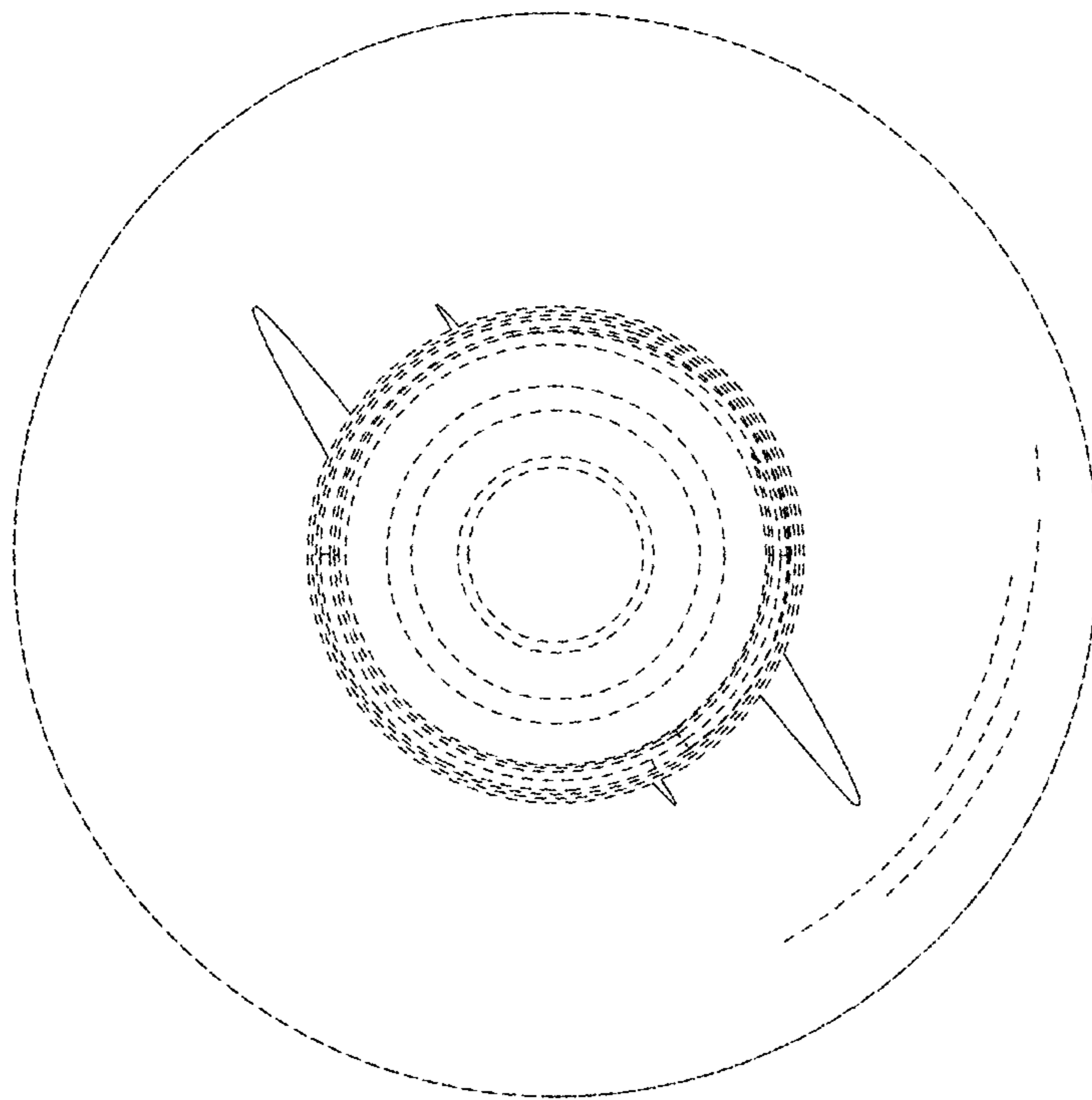


FIG. 14