



US00D937443S

(12) **United States Design Patent** (10) **Patent No.:** **US D937,443 S**
Yoo (45) **Date of Patent:** **** Nov. 30, 2021**

(54) **LADDER HINGE**

2004/0129497 A1* 7/2004 Weiss E06C 1/32
182/163

(71) Applicant: **Thomas Yoo**, Garden Grove, CA (US)

* cited by examiner

(72) Inventor: **Thomas Yoo**, Garden Grove, CA (US)

Primary Examiner — Gino Colan

(**) Term: **15 Years**

(74) *Attorney, Agent, or Firm* — John K. Park; Park Law Firm

(21) Appl. No.: **29/709,705**

(57) **CLAIM**

The ornamental design for a ladder hinge, as shown and described.

(22) Filed: **Oct. 16, 2019**

DESCRIPTION

(51) **LOC (13) Cl.** **25-04**

(52) **U.S. Cl.**

USPC **D25/68**

(58) **Field of Classification Search**

USPC D25/62–65; 403/93, 96; 16/320, 231,
16/328, 326

CPC E06C 7/50; E06C 7/00; E05D 11/1007;
F16C 11/10

See application file for complete search history.

FIG. 1 is a perspective view of a ladder hinge showing my new design;
FIG. 2 is a right-side plan view thereof;
FIG. 3 is a left-side plan view thereof;
FIG. 4 is a front plan view thereof;
FIG. 5 is a rear plan view thereof;
FIG. 6 is a top plan view thereof;
FIG. 7 is a bottom plan view thereof; and,
FIG. 8 is a perspective view of a ladder hinge shown in its application in a ladder as a reference.

The broken lines of FIGS. 1-7 illustrate portions of the ladder hinge that form no part of the claimed design. The broken lines of FIGS. 8 illustrate an environment of the ladder hinge as it may be used and form no part of the claimed design.

(56) **References Cited**

U.S. PATENT DOCUMENTS

D631,562 S * 1/2011 Han D25/68
D908,924 S * 1/2021 Melton D25/64
D914,912 S * 3/2021 Barker D25/65
10,975,622 B2 * 4/2021 Yoo E06C 7/50

1 Claim, 5 Drawing Sheets

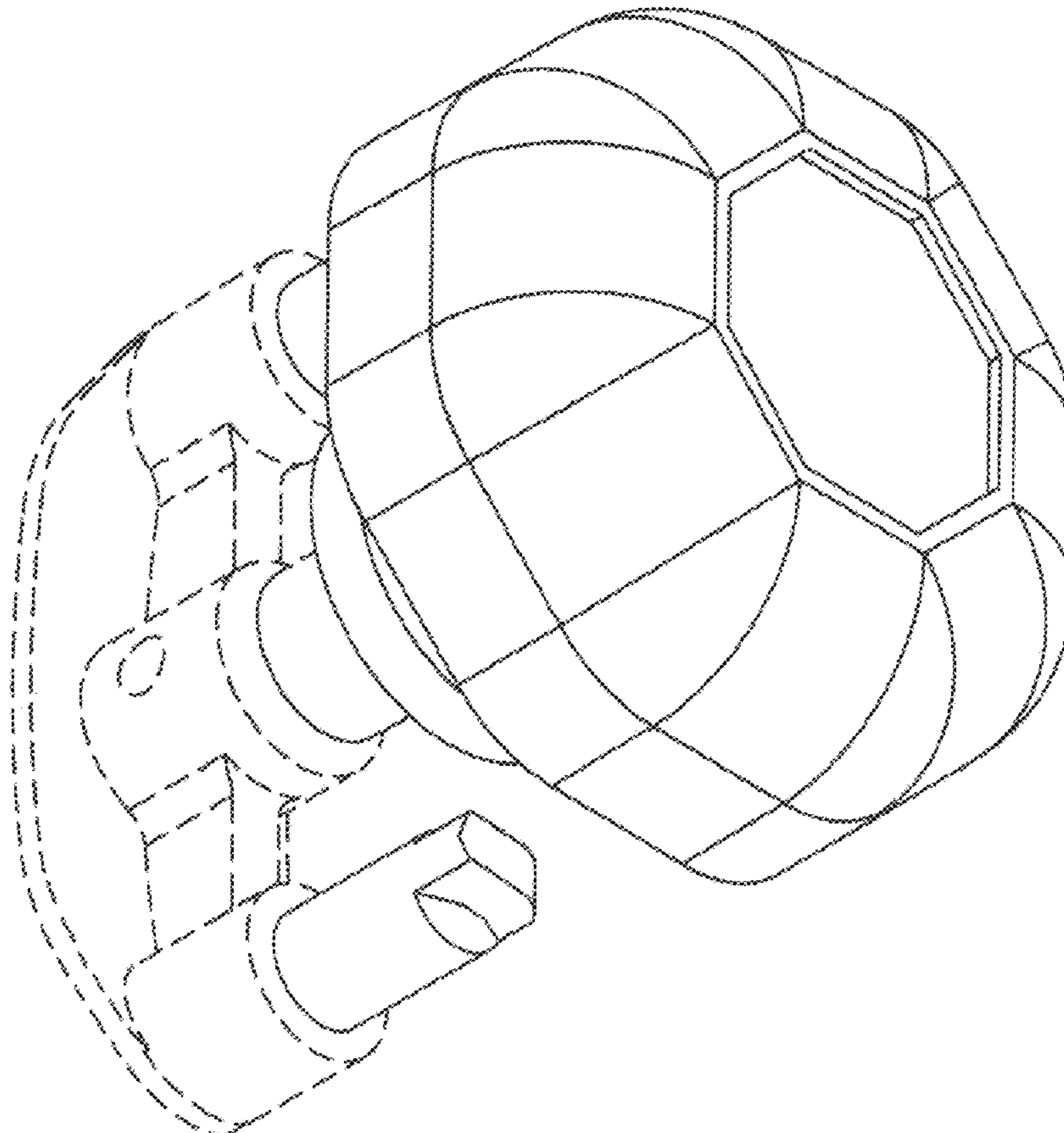


Fig. 1

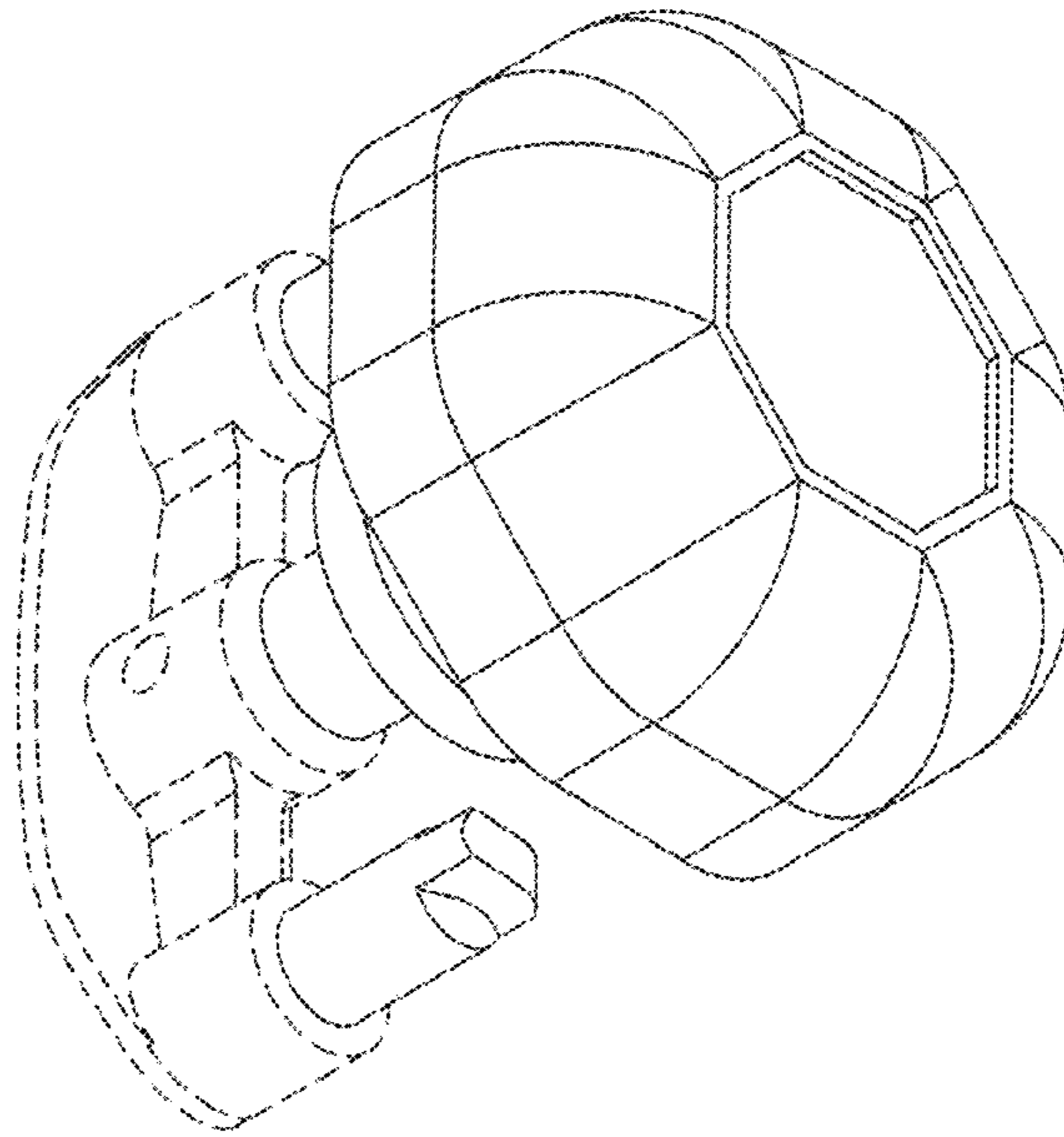


Fig. 2

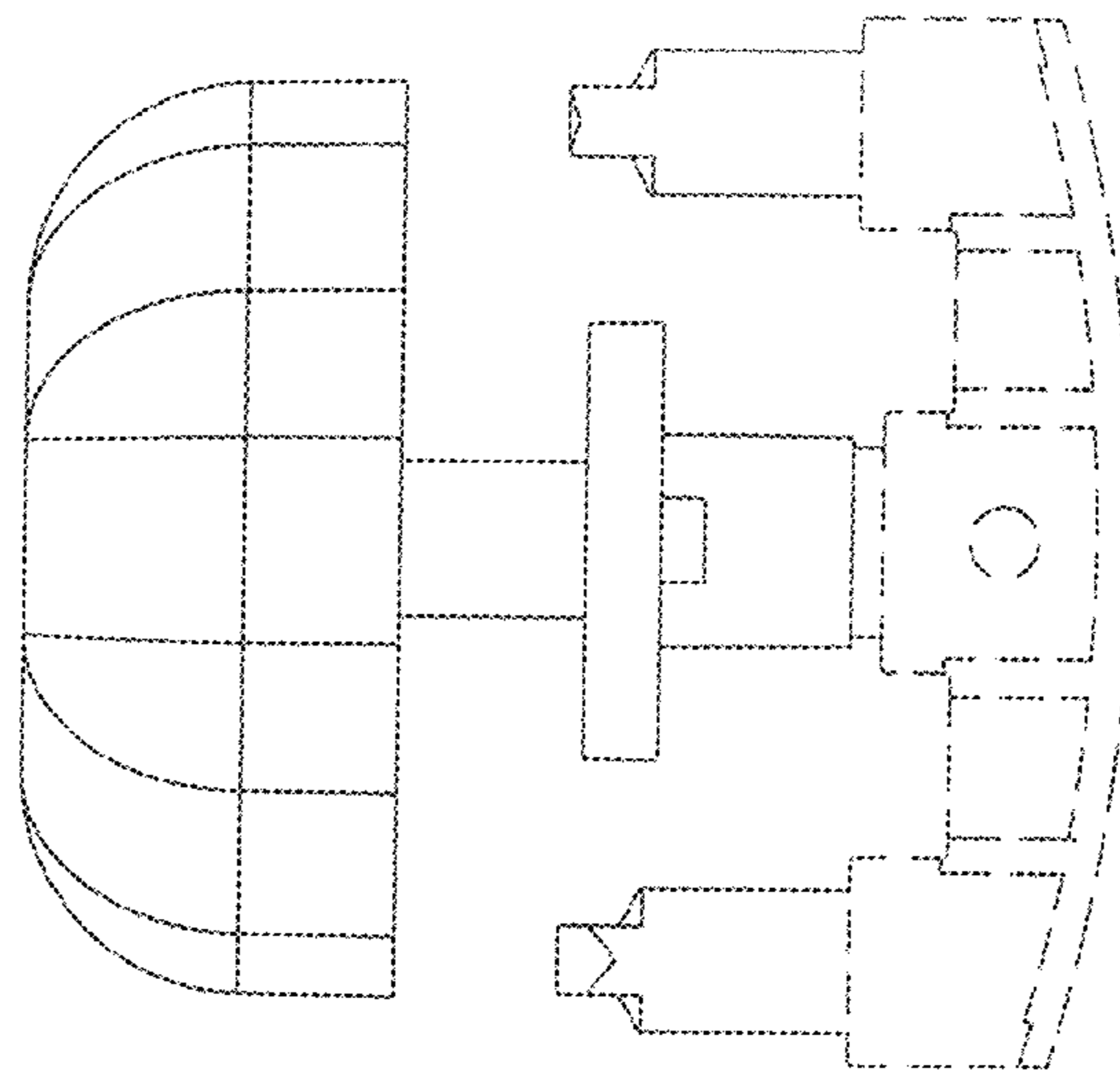


Fig. 4

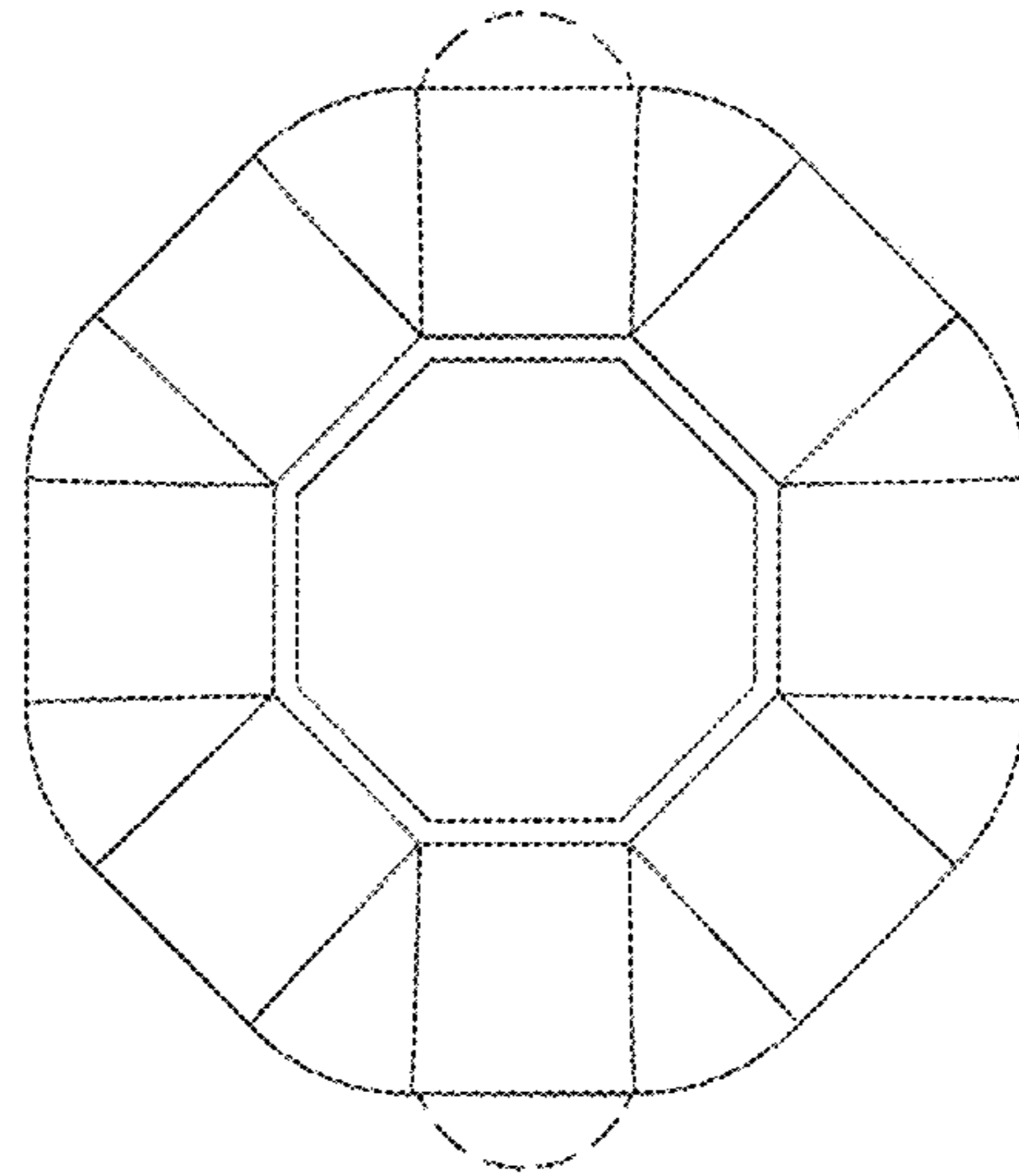


Fig. 5

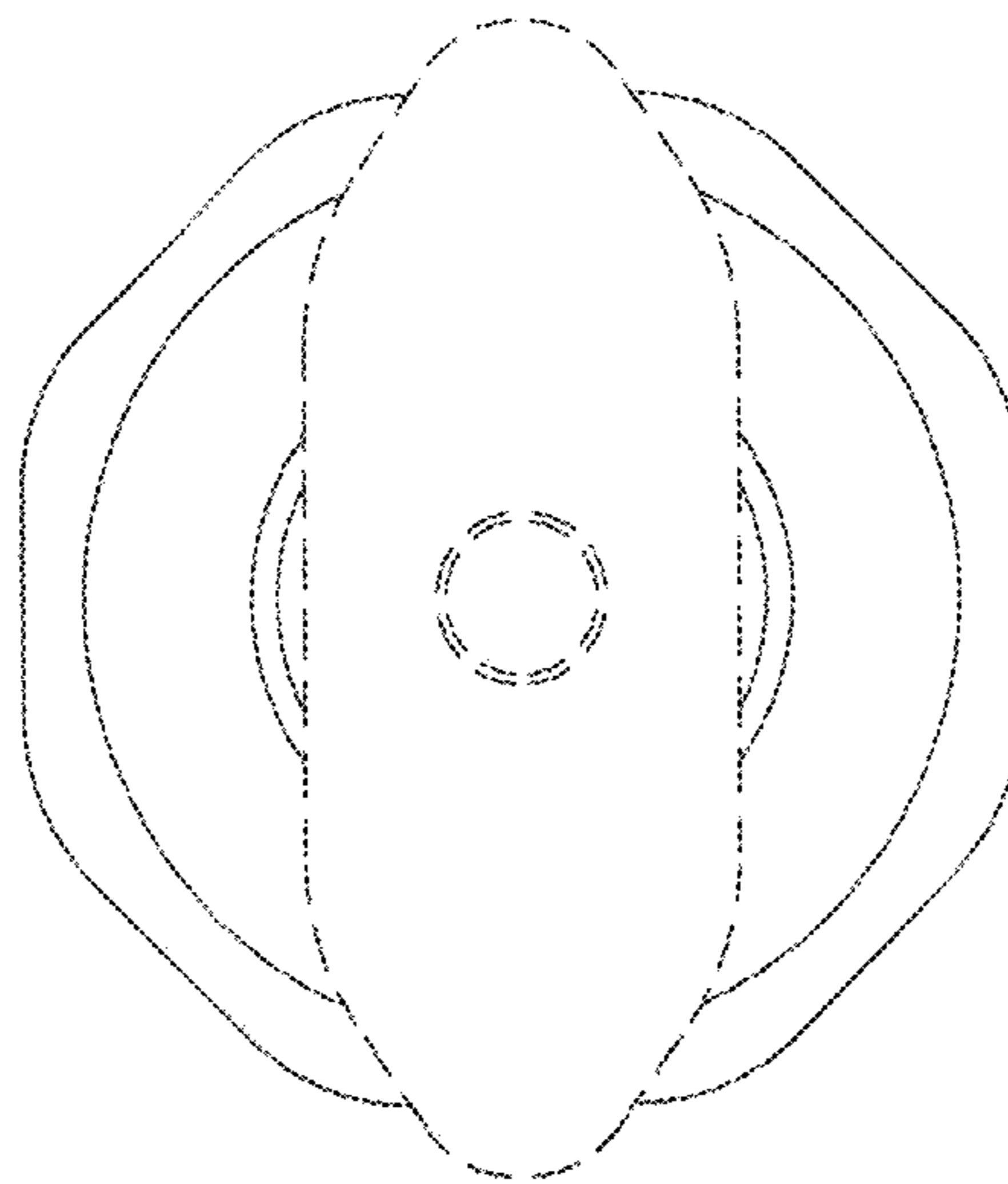


Fig. 6

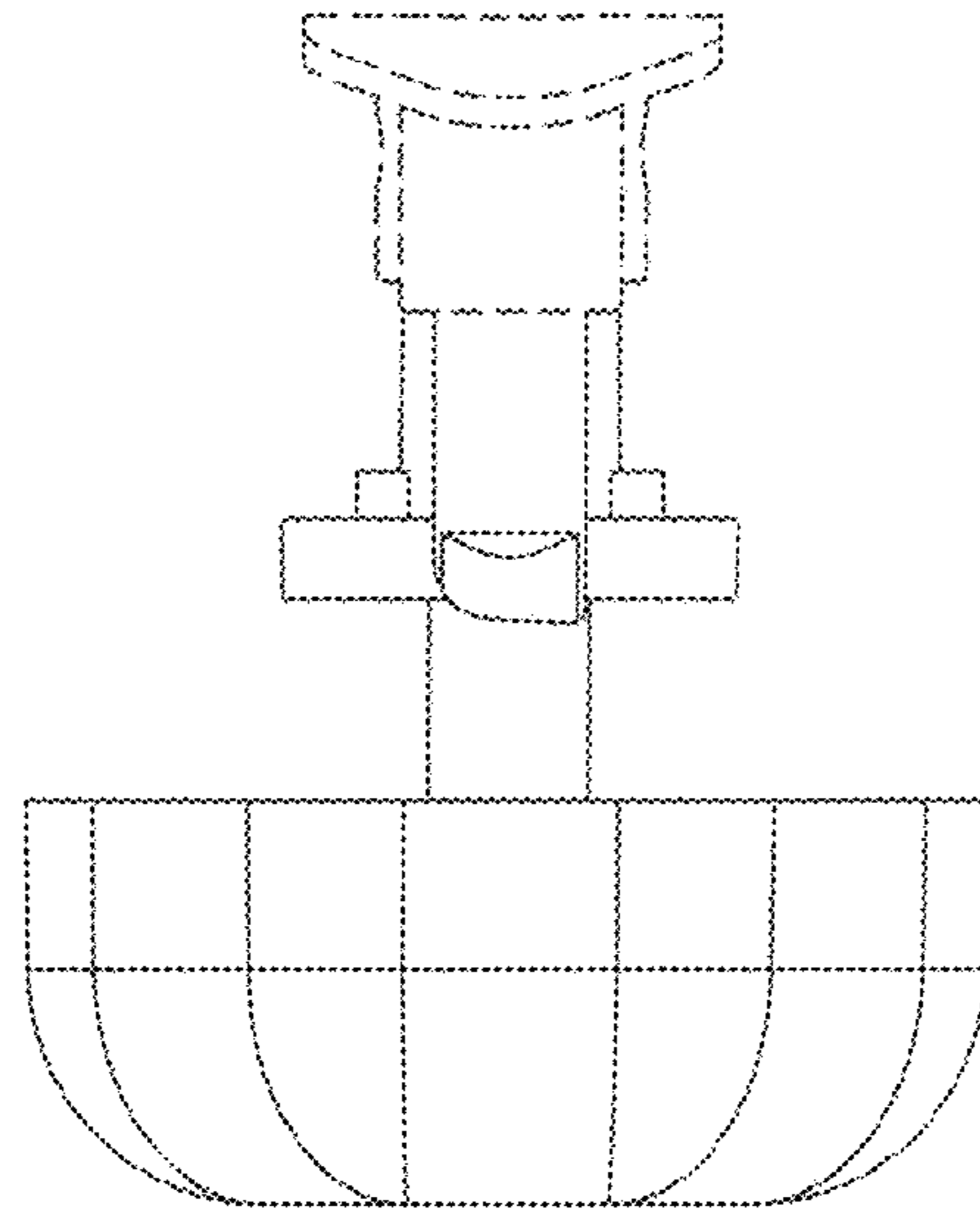


Fig. 7

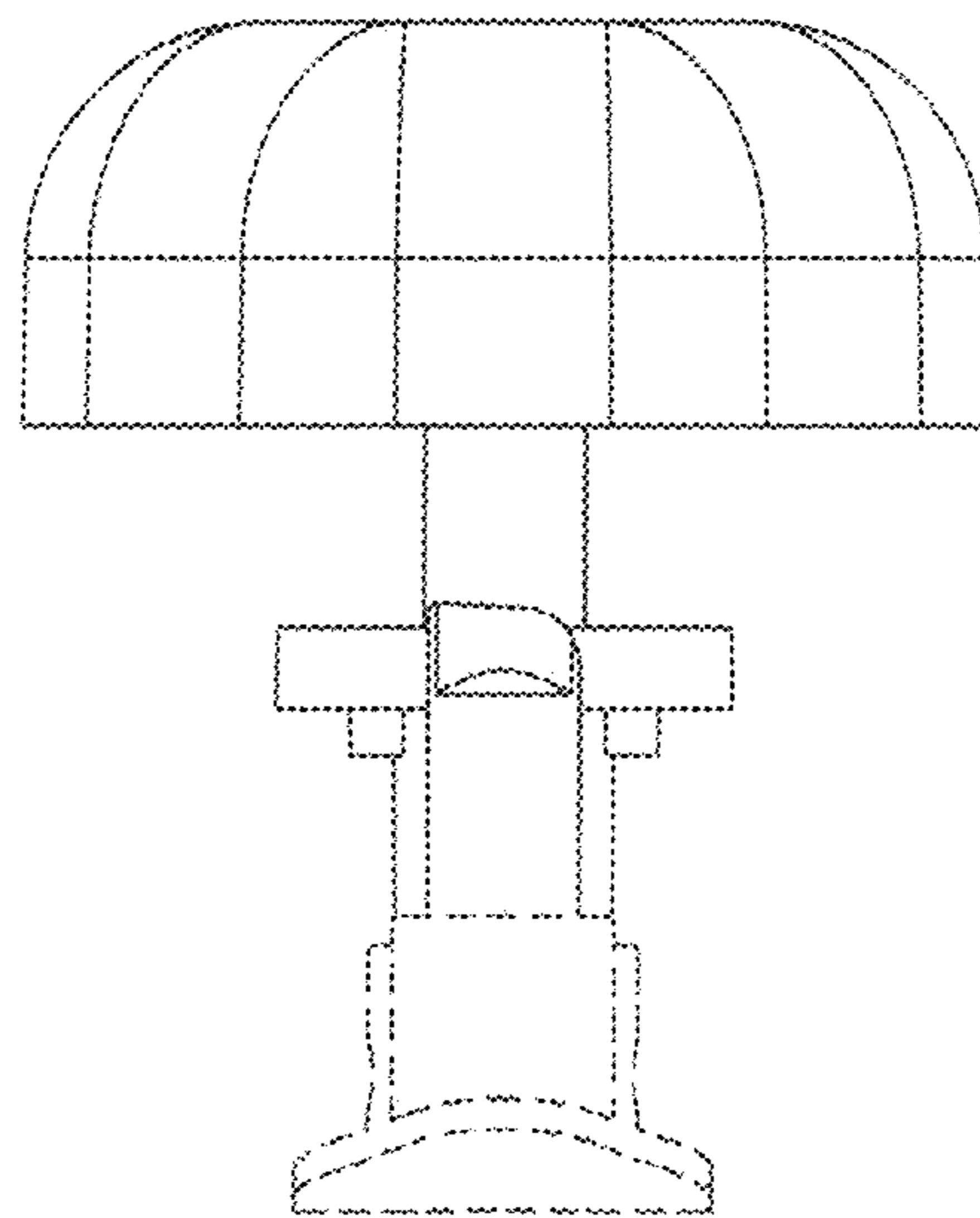


Fig. 8

