



US00D937442S

(12) **United States Design Patent** (10) **Patent No.:** **US D937,442 S**
Noe (45) **Date of Patent:** **** Nov. 30, 2021**

(54) **STRUCTURAL SUPPORT FOR PATIO COVER SYSTEM**

D765,882 S * 9/2016 Deleu D25/122
D790,730 S * 6/2017 Prado Perez D25/58
D850,657 S * 6/2019 Luvison D25/123
D882,118 S * 4/2020 Noe D25/56

(71) Applicant: **RENAISSANCE PATIO PRODUCTS INC.**, Doral, FL (US)

* cited by examiner

(72) Inventor: **Christopher Noe**, Doral, FL (US)

Primary Examiner — Samantha Q Lawrence

(**) Term: **15 Years**

(74) *Attorney, Agent, or Firm* — John Rizvi; John Rizvi, P.A.—The Patent Professor®

(21) Appl. No.: **29/744,504**

(22) Filed: **Jul. 29, 2020**

(51) **LOC (13) Cl.** **25-02**

(52) **U.S. Cl.**
USPC **D25/56; D25/133**

(58) **Field of Classification Search**
USPC D25/125, 126, 127, 128, 129, 130, 131,
D25/132, 133, 134, 135, 136, 55, 56, 61,
D25/119, 164
CPC . E04B 2/76; E04B 2/7863; E06B 7/00; E06B
7/12; H02G 3/0437; H02G 3/045; F16L
9/22

See application file for complete search history.

(56) **References Cited**

U.S. PATENT DOCUMENTS

2,186,297 A * 1/1940 Hunnebeck E04B 7/08
52/18
5,655,335 A * 8/1997 Vermeer E04B 7/163
52/66

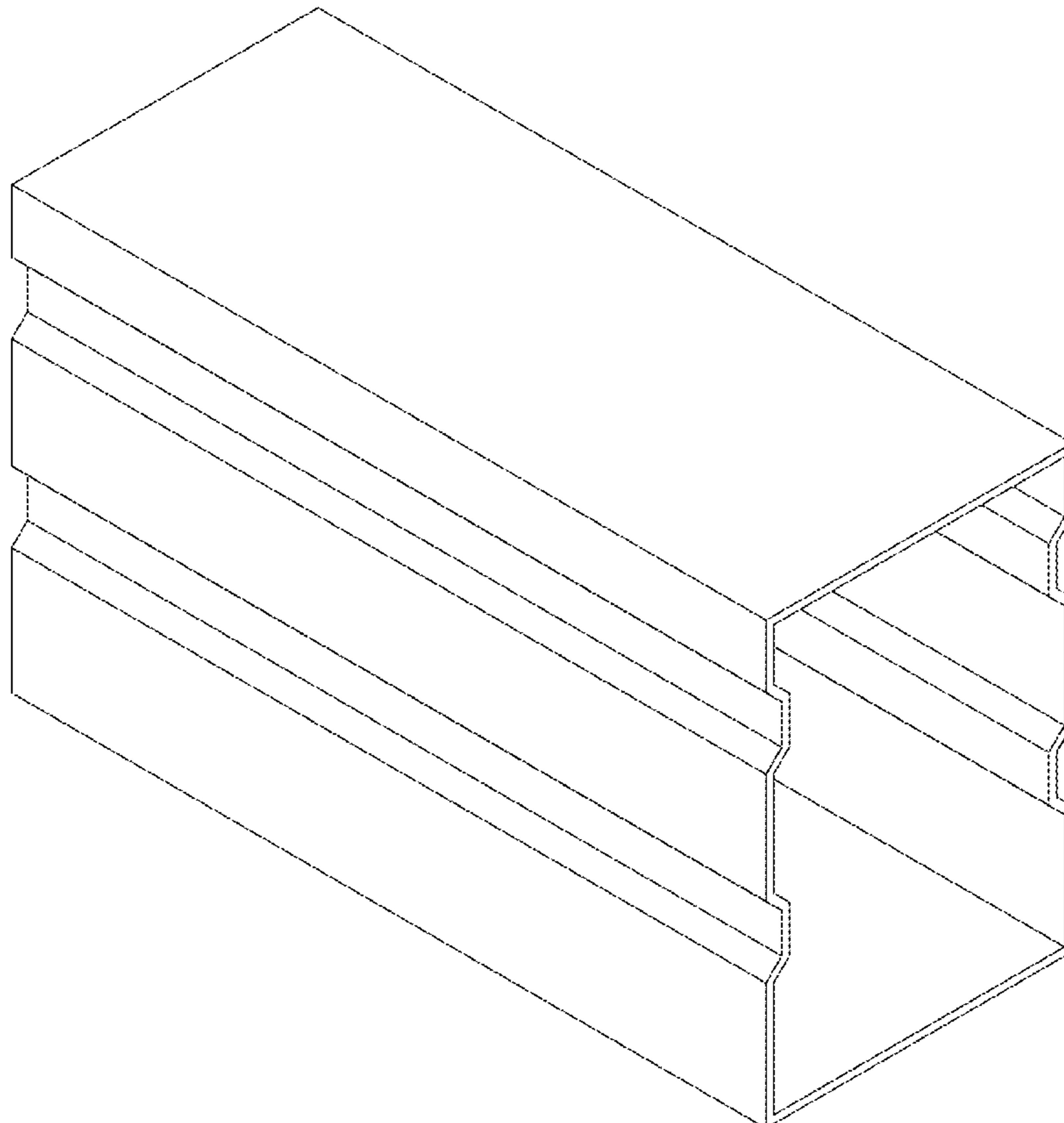
(57) **CLAIM**

I claim the ornamental design for a structural support for patio cover system, as shown and described.

DESCRIPTION

FIG. 1 is a bottom, front isometric view of a structural support for patio cover system showing my new design; FIG. 2 is a top, front isometric view thereof; FIG. 3 is a front elevation view thereof; FIG. 4 is a left side elevation view thereof; FIG. 5 is a top plan view thereof; FIG. 6 is a top, rear isometric view thereof; and, FIG. 7 is a rear elevation view thereof.

1 Claim, 7 Drawing Sheets



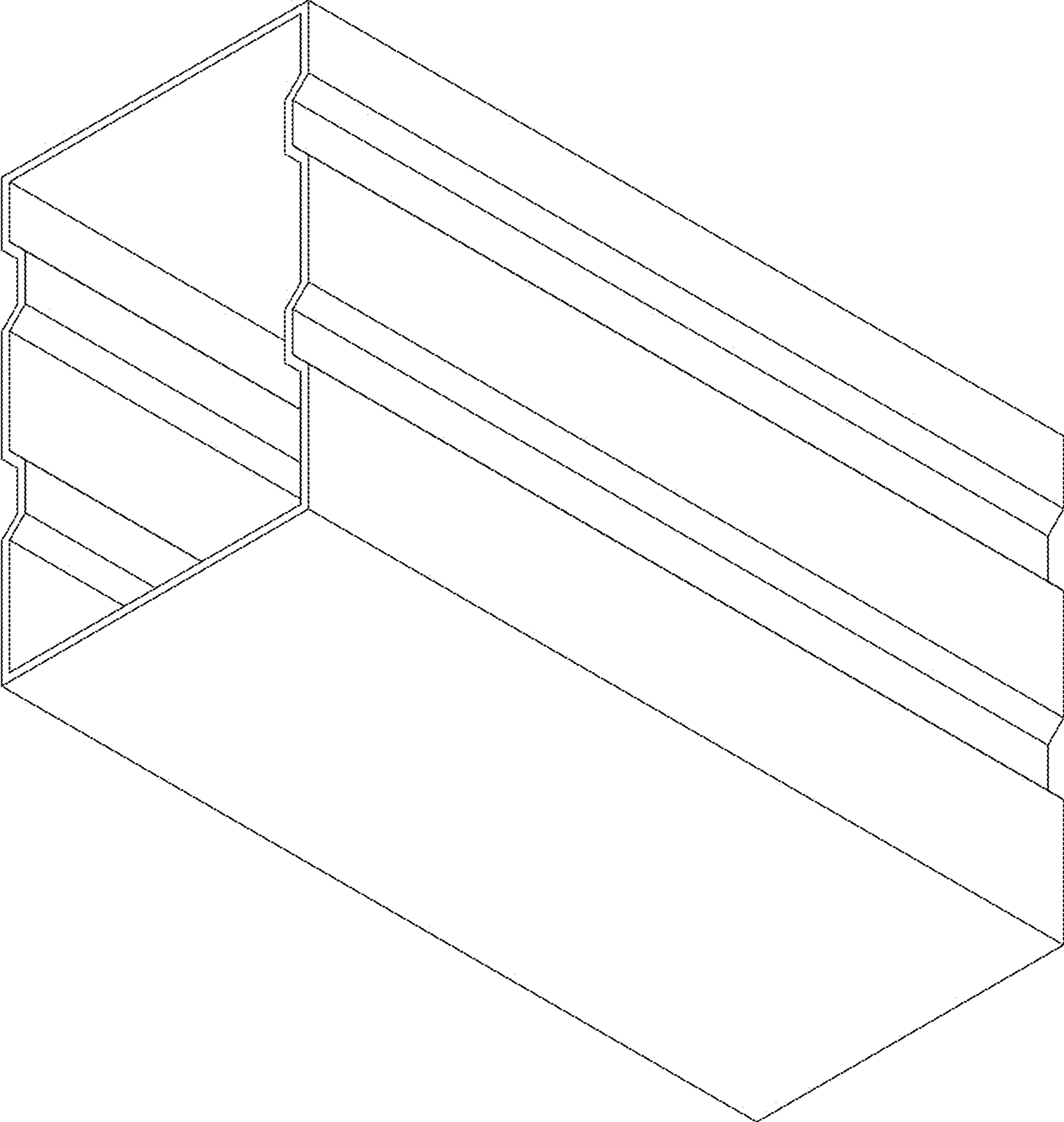


FIG. 1

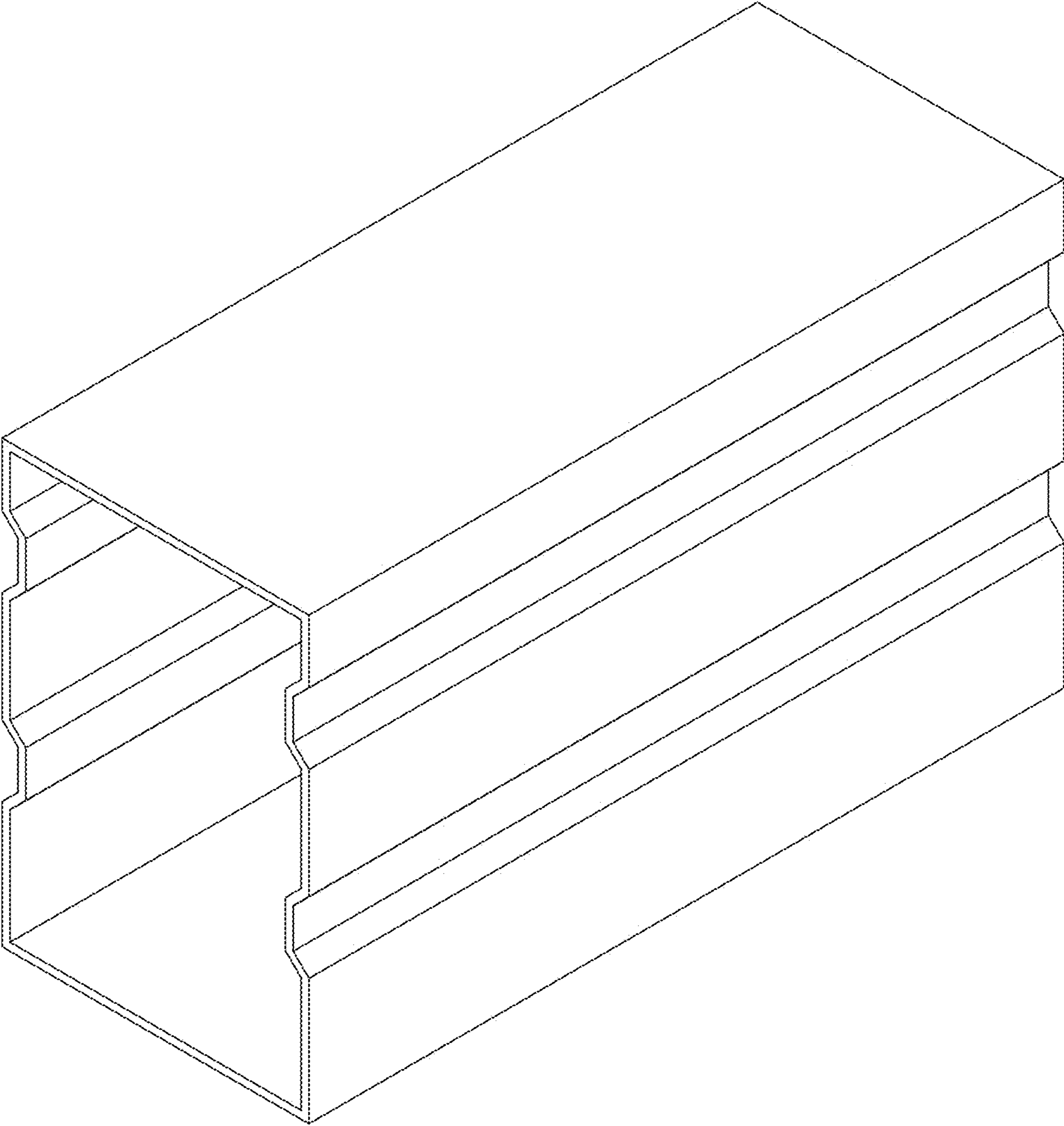


FIG. 2

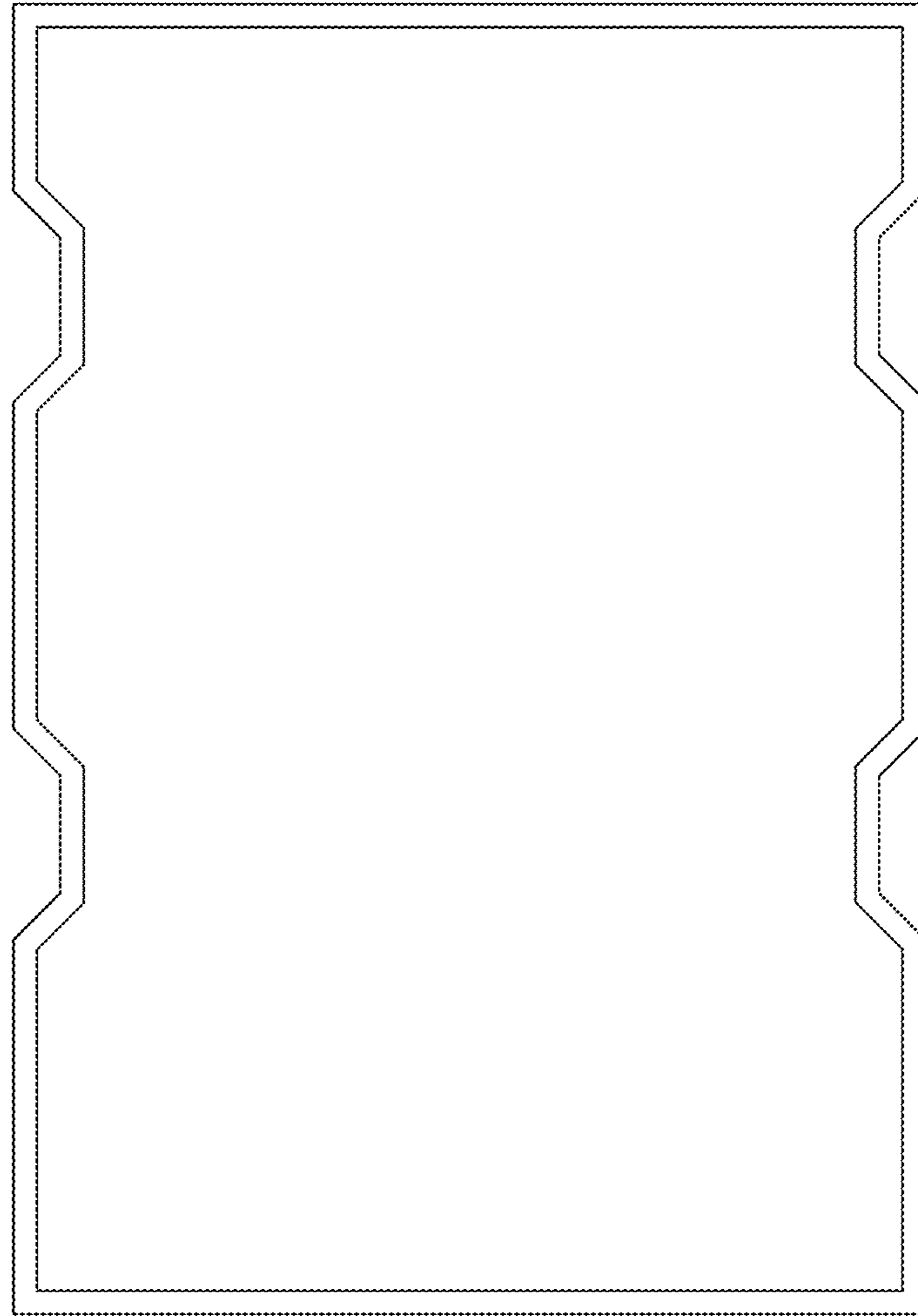


FIG. 3

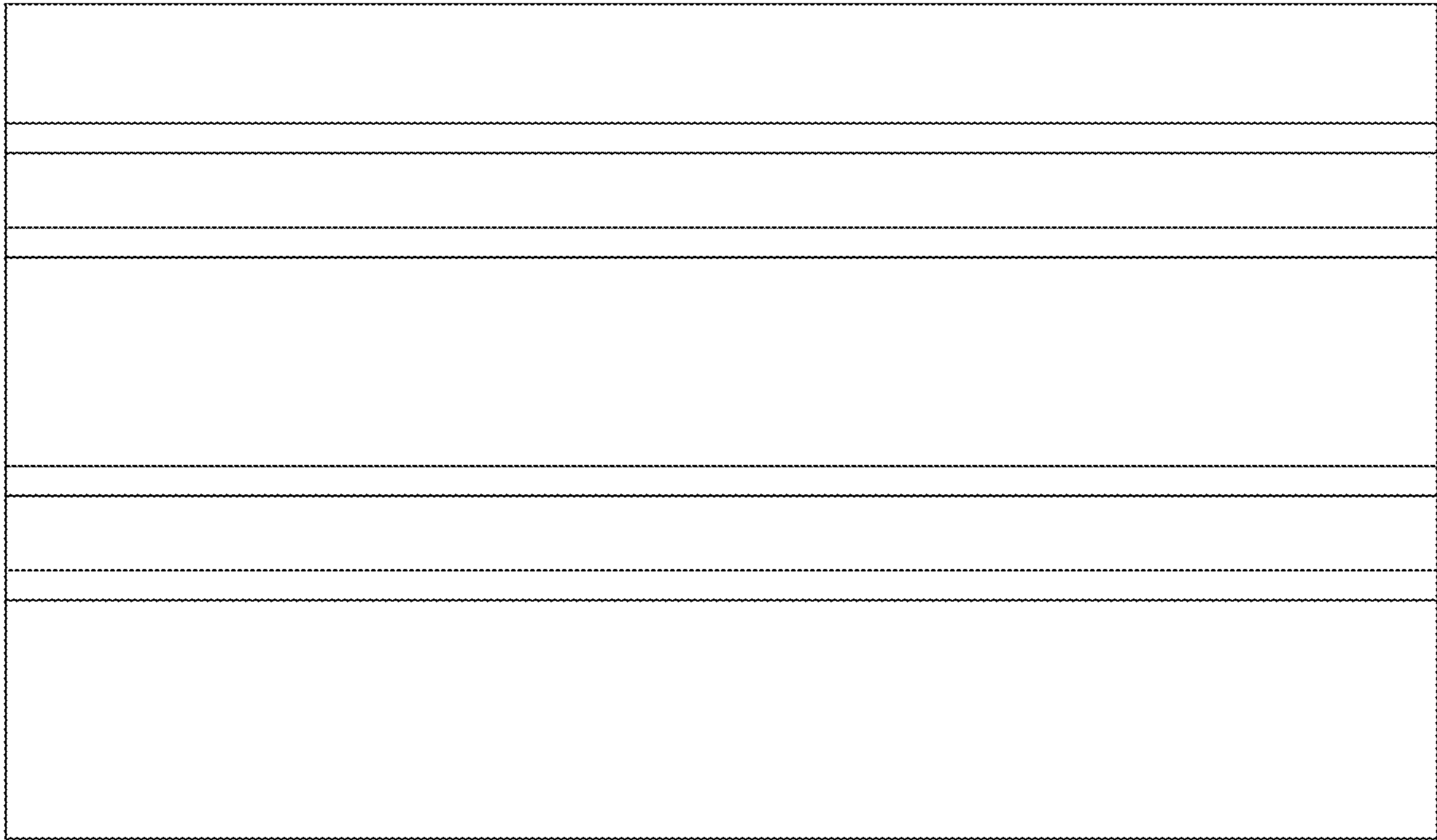


FIG. 4



FIG. 5

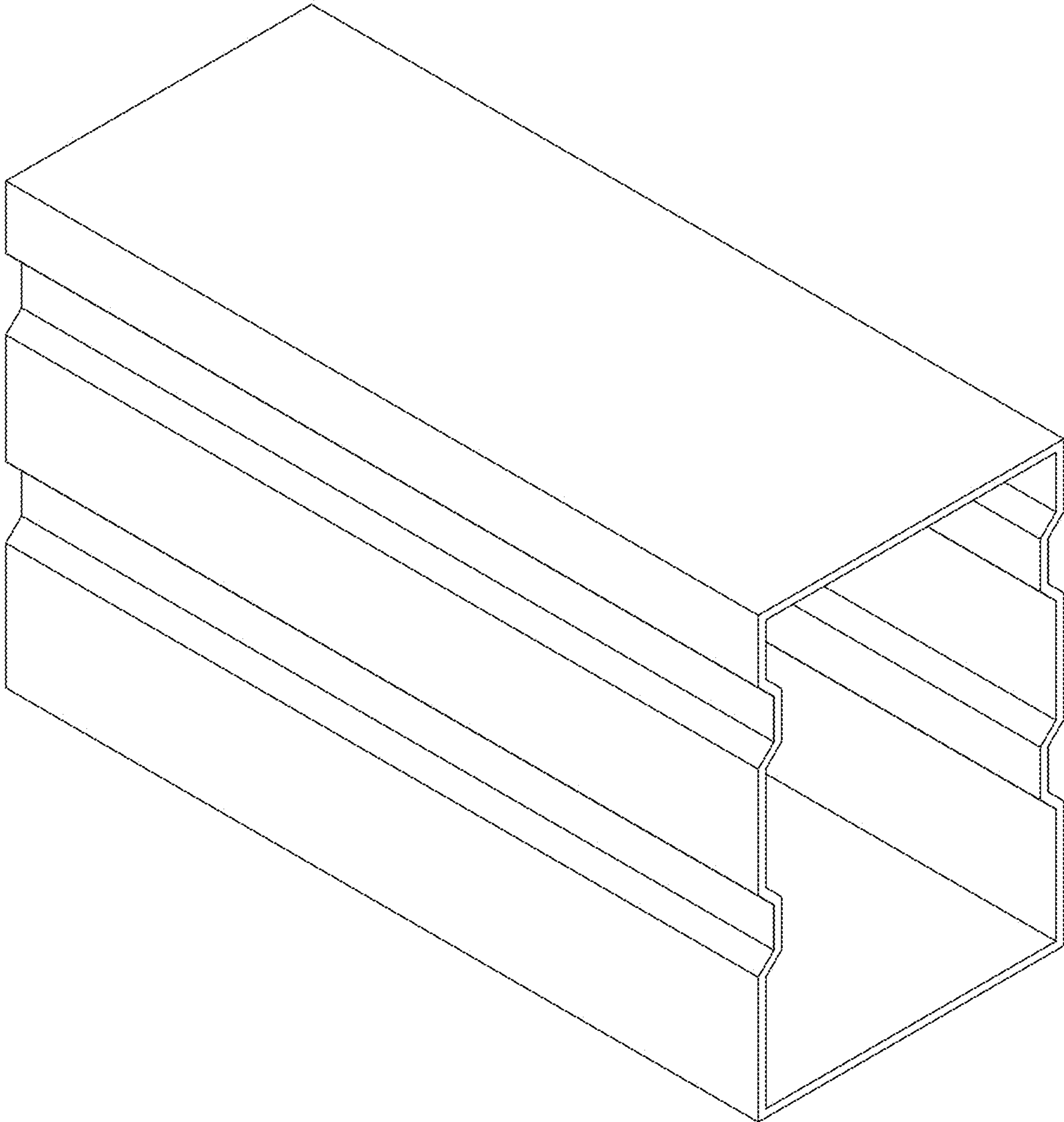


FIG. 6

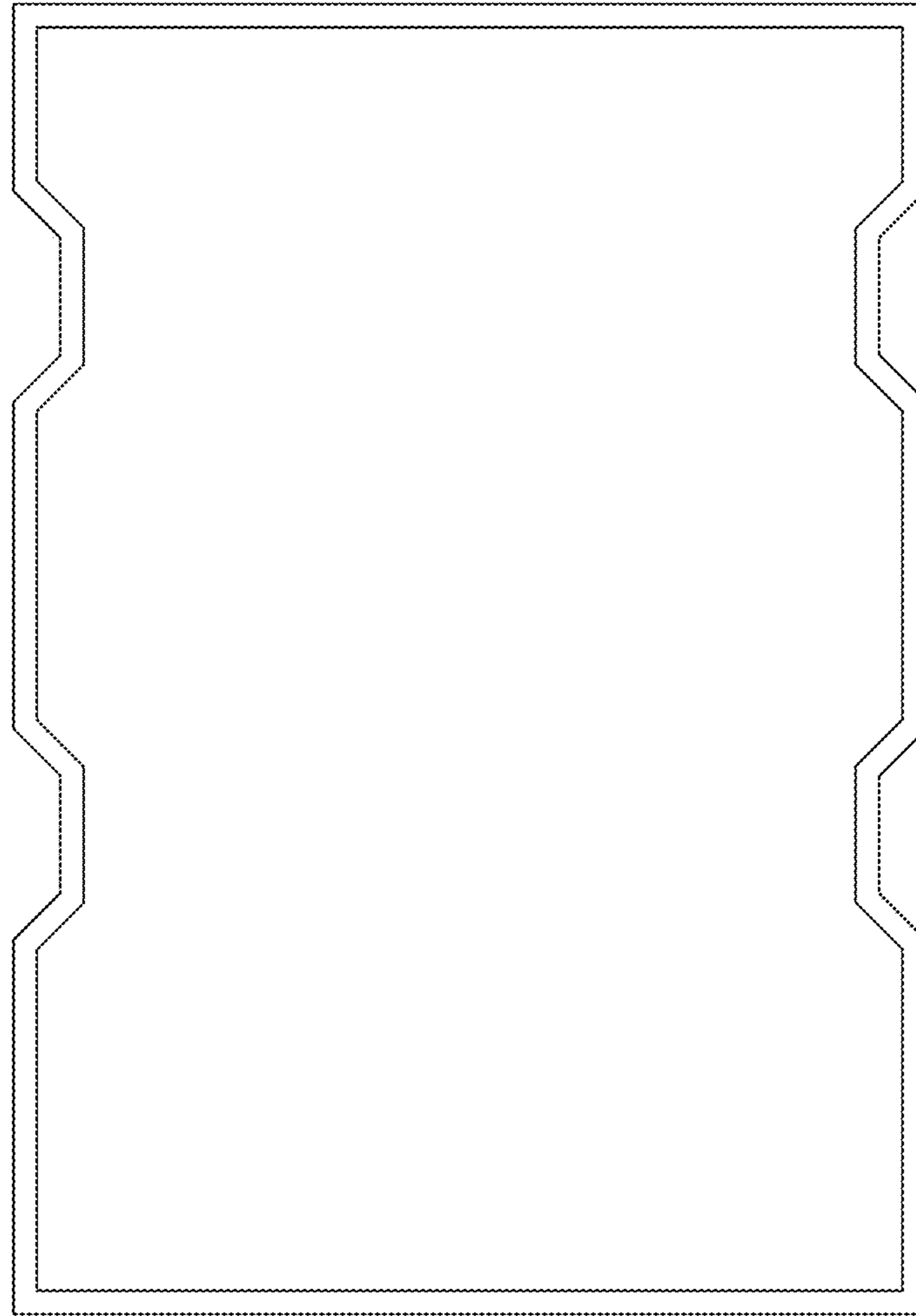


FIG. 7