



US00D937441S

(12) **United States Design Patent** (10) **Patent No.:** **US D937,441 S**
Noe (45) **Date of Patent:** **** Nov. 30, 2021**

(54) **VERTICAL POST FOR PATIO COVER** 1,129,040 A * 2/1915 McClure F16L 59/022
138/156
(71) Applicant: **RENAISSANCE PATIO PRODUCTS** D473,661 S * 4/2003 Kim D25/122
INC., Doral, FL (US) D879,326 S * 3/2020 Hendry D25/61
D881,415 S * 4/2020 Noe D25/56
(72) Inventor: **Christopher Noe, Doral, FL (US)** D881,416 S * 4/2020 Jiang D25/122
D881,418 S * 4/2020 Noe D25/133
(**) Term: **15 Years** D909,622 S * 2/2021 Carmody A47G 29/1216
D25/133

(21) Appl. No.: **29/744,501**

* cited by examiner

(22) Filed: **Jul. 29, 2020**

Primary Examiner — Samantha Q Lawrence

(51) **LOC (13) Cl.** **25-02**

(74) *Attorney, Agent, or Firm* — John Rizvi; John Rizvi,

(52) **U.S. Cl.**

P.A.—The Patent Professor

USPC **D25/56; D25/133**

(58) **Field of Classification Search**

(57) **CLAIM**

USPC D25/125, 126, 127, 128, 129, 130, 131,
D25/132, 133, 134, 135, 136, 55, 56, 61,
D25/119, 164

I claim the ornamental design for a vertical post for patio cover, as shown and described.

CPC . E04B 2/76; E04B 2/7863; E06B 7/00; E06B
7/12; H02G 3/0437; H02G 3/045; F16L
9/22

DESCRIPTION

See application file for complete search history.

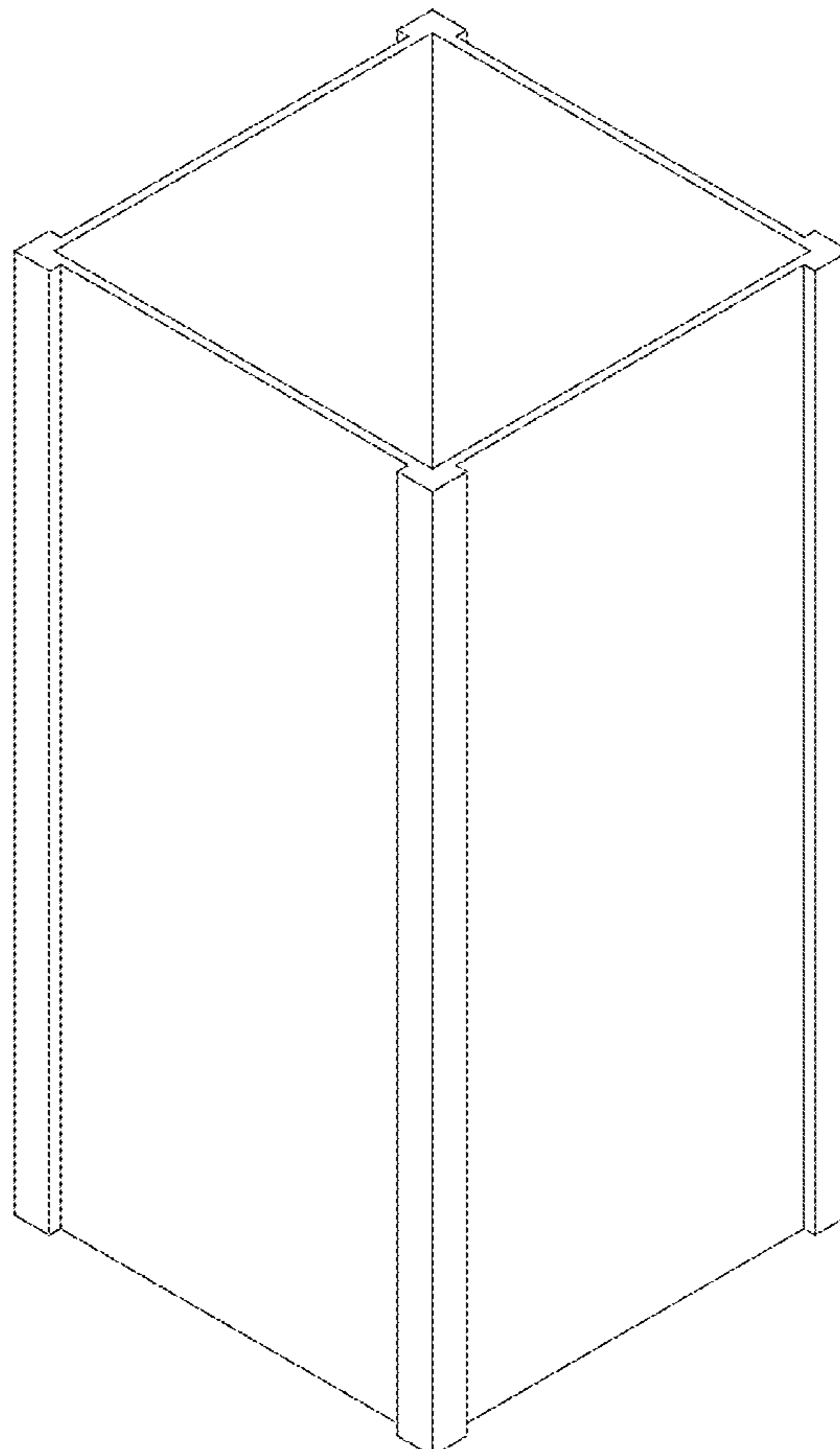
FIG. 1 is a bottom, front isometric view of a vertical post for patio cover showing my new design;
FIG. 2 is a top, front isometric view thereof;
FIG. 3 is a front elevation view thereof;
FIG. 4 is a left side elevation view thereof; and,
FIG. 5 is a top plan view thereof.

(56) **References Cited**

U.S. PATENT DOCUMENTS

1 Claim, 5 Drawing Sheets

742,549 A * 10/1903 Zeh et al. 52/844
799,320 A * 9/1905 Franks F16L 9/22
138/157



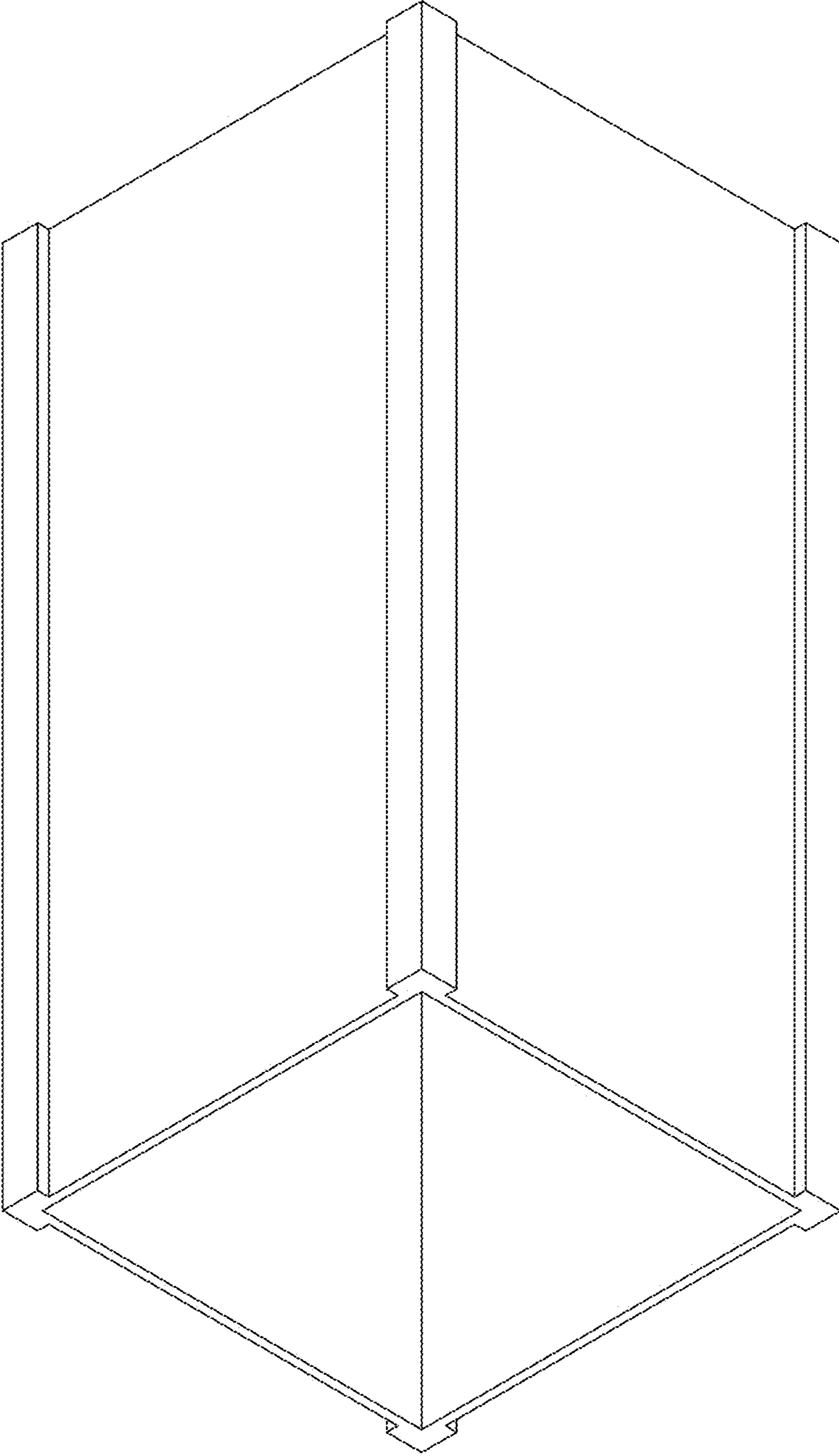


FIG. 1

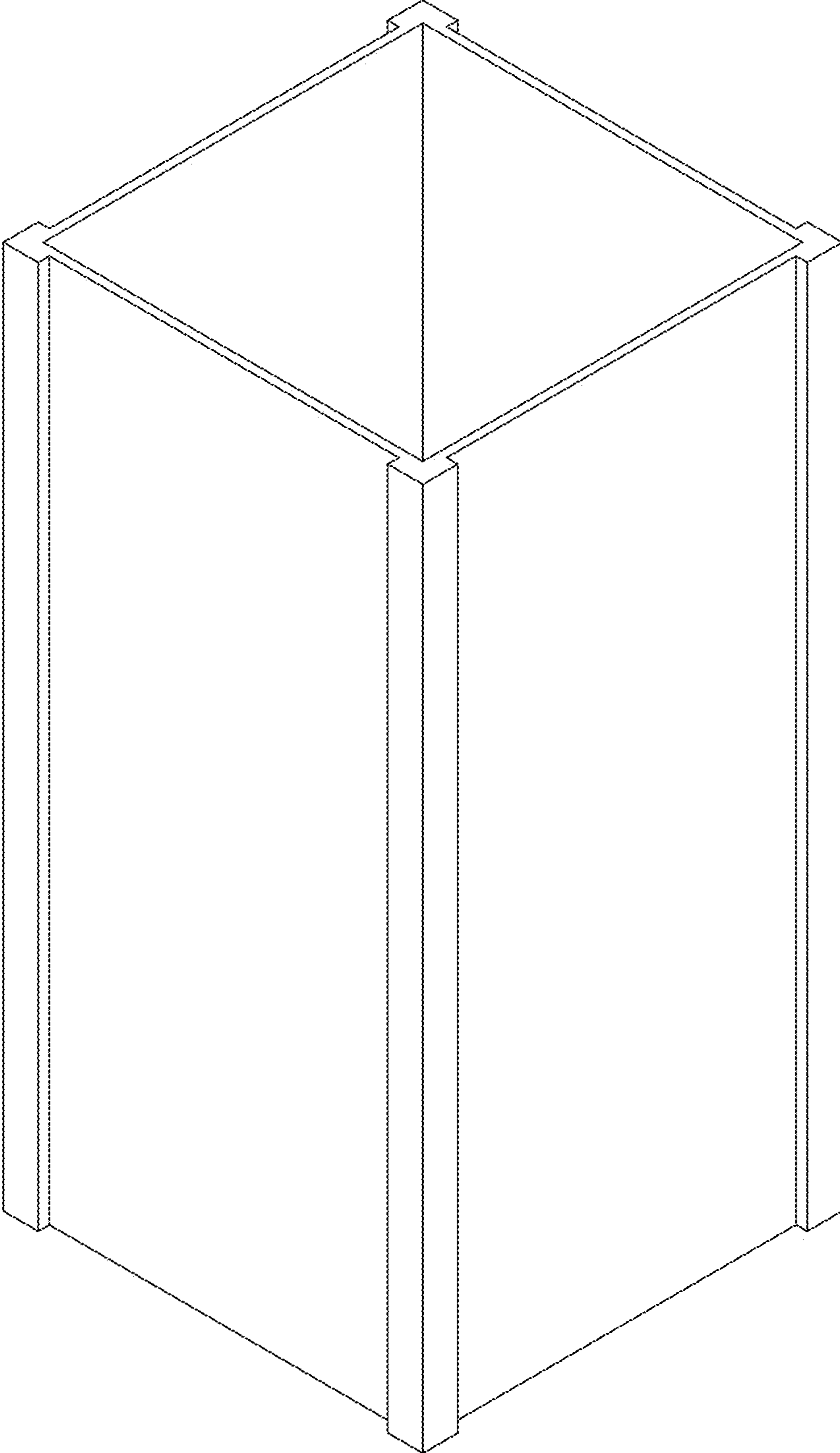


FIG. 2

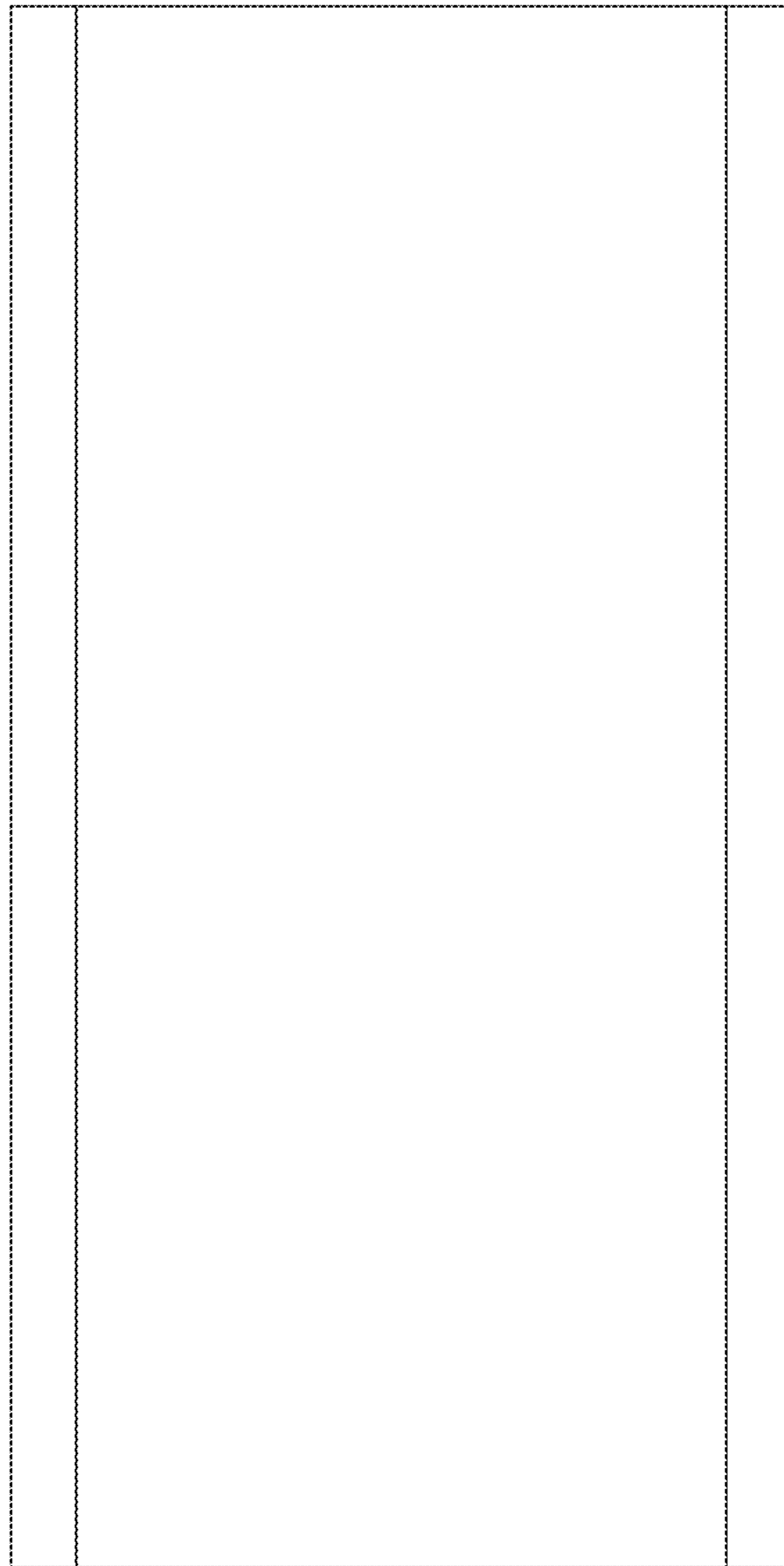


FIG. 3

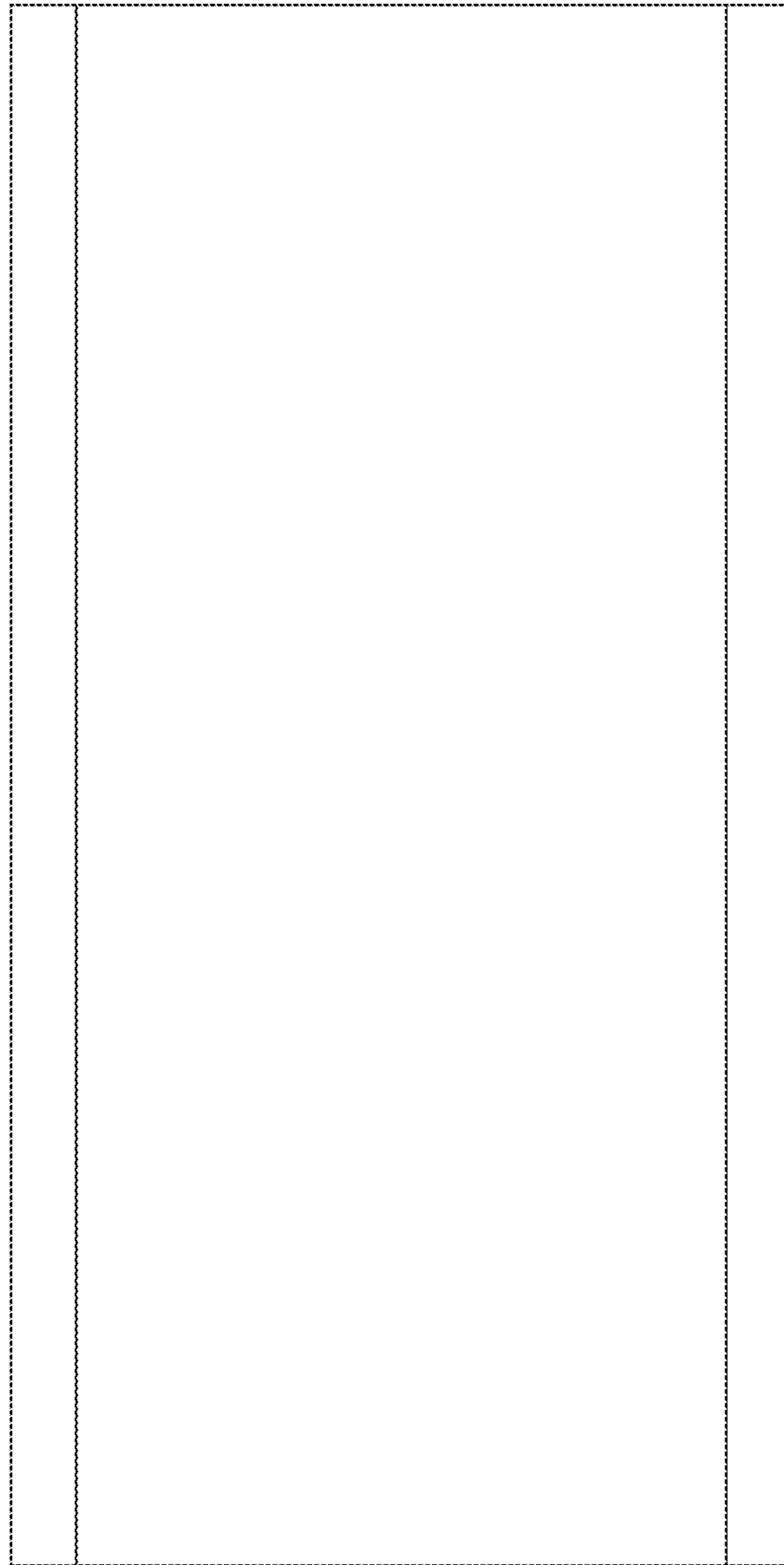


FIG. 4

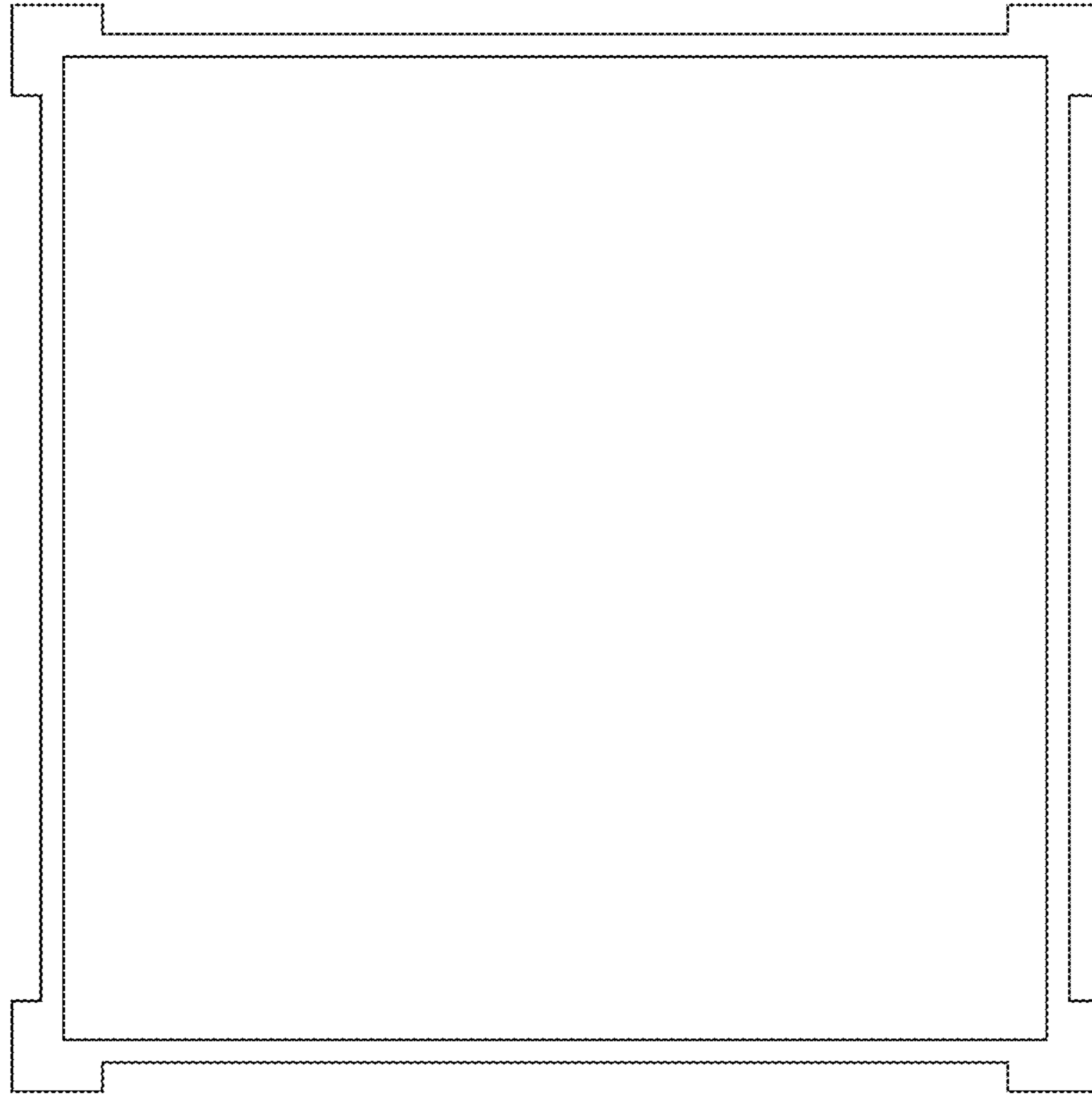


FIG. 5