



US00D937437S

(12) **United States Design Patent** (10) **Patent No.:** **US D937,437 S**
Konczak et al. (45) **Date of Patent:** **** Nov. 30, 2021**

(54) **MODULAR DRIVE-THRU BUILDING**

(71) Applicants: **Jeffrey J. Konczak**, Alpena, MI (US);
Kevin Stevens, Ossineke, MI (US)

(72) Inventors: **Jeffrey J. Konczak**, Alpena, MI (US);
Kevin Stevens, Ossineke, MI (US)

(**) Term: **15 Years**

(21) Appl. No.: **29/767,936**

(22) Filed: **Jan. 26, 2021**

Related U.S. Application Data

(62) Division of application No. 29/659,039, filed on Aug. 6, 2018, now Pat. No. Des. 911,553.

(51) **LOC (13) Cl.** **25-03**

(52) **U.S. Cl.**
USPC **D25/22**

(58) **Field of Classification Search**
USPC D25/1, 3-35, 56, 58, 59, 61

(Continued)

(56) **References Cited**

U.S. PATENT DOCUMENTS

D112,954 S * 1/1939 Aldrich et al. D25/34
D191,350 S * 9/1961 Horvat D25/3

(Continued)

OTHER PUBLICATIONS

Starbucks Opening Innovative New Drive Thru Stores in Markets Around the U.S., Sep. 23, 2013, Starbucks Stories & News, <https://stories.starbucks.com/stories/2013/innovative-new-drive-thrus/> (Year: 2013).*

Primary Examiner — Brett Miller

(74) *Attorney, Agent, or Firm* — Dickinson Wright PLLC

(57) **CLAIM**

The ornamental design for a modular drive-thru building, as shown and described.

DESCRIPTION

FIG. 1 is a perspective end view of a modular drive-thru building embodying the new design, taken from an elevated left side vantage point.

FIG. 2 is a perspective end view of the modular drive-thru building of FIG. 1, taken from the left side of a first end of the building.

FIG. 3 is a perspective end view of the modular drive-thru building of FIG. 1, taken from the right side of the first end of the building.

FIG. 4 is an end elevation view of the modular drive-thru building of FIG. 1, taken from the first end of the building.

FIG. 5 is an end elevation view of the modular drive-thru building of FIG. 1, taken from a second opposite end of the building.

FIG. 6 is a left side elevation view of the modular drive-thru building of FIG. 1.

FIG. 7 is a right side elevation view of the modular drive-thru building of FIG. 1.

FIG. 8 is a top plan view of the modular drive-thru building of FIG. 1.

FIG. 9 is a further perspective end view of the modular drive-thru building of FIGS. 1-8, taken from an elevated left side vantage point.

FIG. 10 is a further perspective end view of the modular drive-thru building of FIGS. 1-8, taken from the left side of a first end of the building.

FIG. 11 is a further perspective end view of the modular drive-thru building of FIGS. 1-8, taken from the right side of the first end of the building.

FIG. 12 is a further end elevation view of the modular drive-thru building of FIGS. 1-8, taken from the first end of the building.

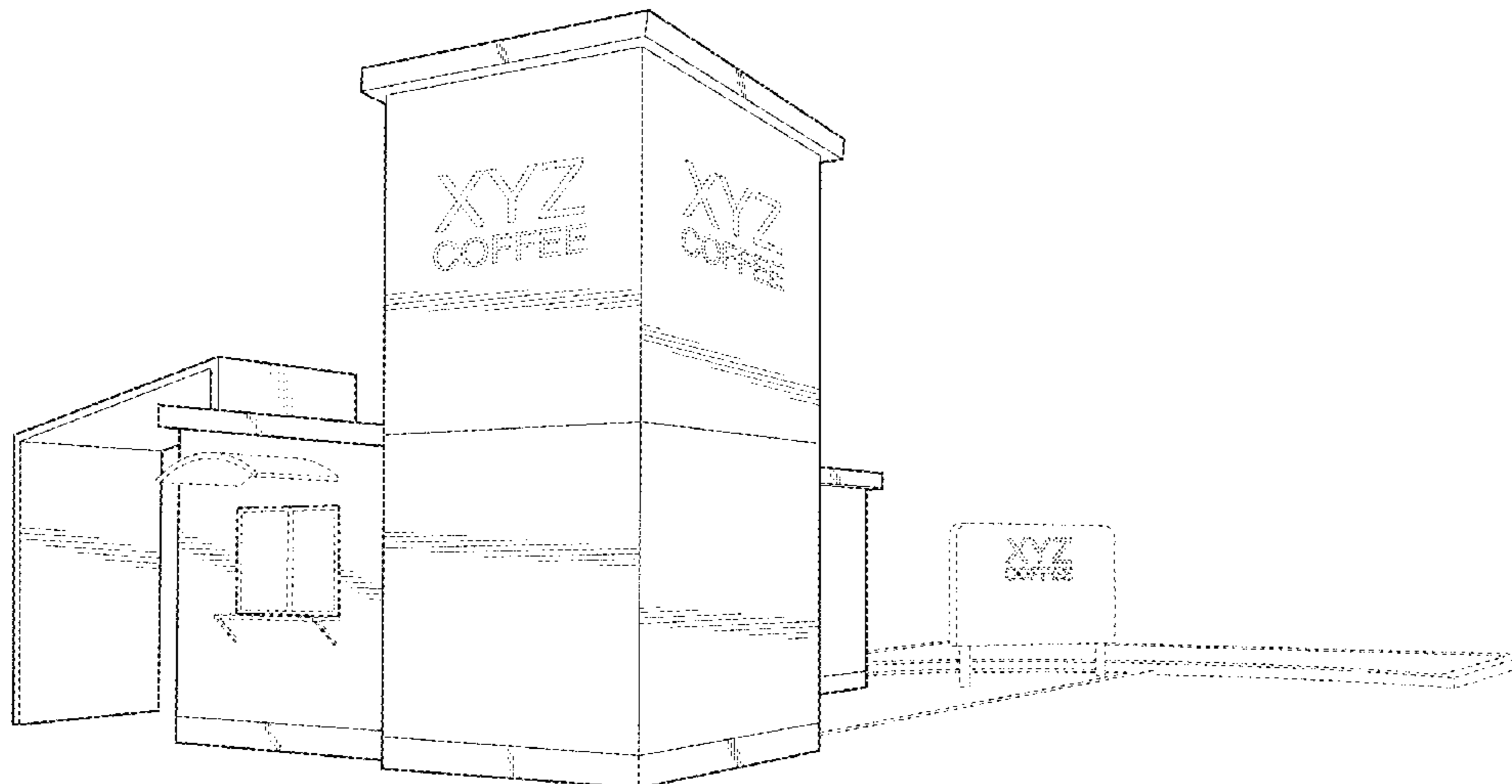
FIG. 13 is a further end elevation view of the modular drive-thru building of FIGS. 1-8, taken from a second opposite end of the building.

FIG. 14 is a further left side elevation of the modular drive-thru building of FIGS. 1-8; and,

FIG. 15 is a further right side elevation view of the modular drive-thru building of FIGS. 1-8.

Any structure illustrated in broken lines is environmental in nature and forms no part of the claimed design. The dash-dot-dot-dash lines define boundaries of the claim. The bottom view is flat and devoid of ornamentation and forms no part of the claimed design.

1 Claim, 11 Drawing Sheets



(58) **Field of Classification Search**

CPC E04H 1/00-06; E04H 6/08; E04H 6/10;
E04H 3/02-10

See application file for complete search history.

(56) **References Cited**

U.S. PATENT DOCUMENTS

D211,080 S * 5/1968 Shelstad D25/27
D220,170 S * 3/1971 Criswell D25/33
D227,356 S * 6/1973 Winter D25/11
D266,592 S * 10/1982 Bavis D25/1
D283,166 S * 3/1986 Gardner D25/1
4,723,383 A * 2/1988 Jenn E04B 7/107
52/309.4
D354,815 S * 1/1995 Hassett D25/16
D385,042 S * 10/1997 Cooke D25/1
D434,155 S * 11/2000 Webb D25/1
D484,613 S * 12/2003 da Costa D25/33
D609,363 S * 2/2010 Segall D25/1
D734,493 S * 7/2015 Baldwin D25/22
D823,480 S * 7/2018 Balzer D25/10
D911,553 S * 2/2021 Konczak D25/22
2017/0198489 A1 * 7/2017 Klein E04B 1/34331

* cited by examiner

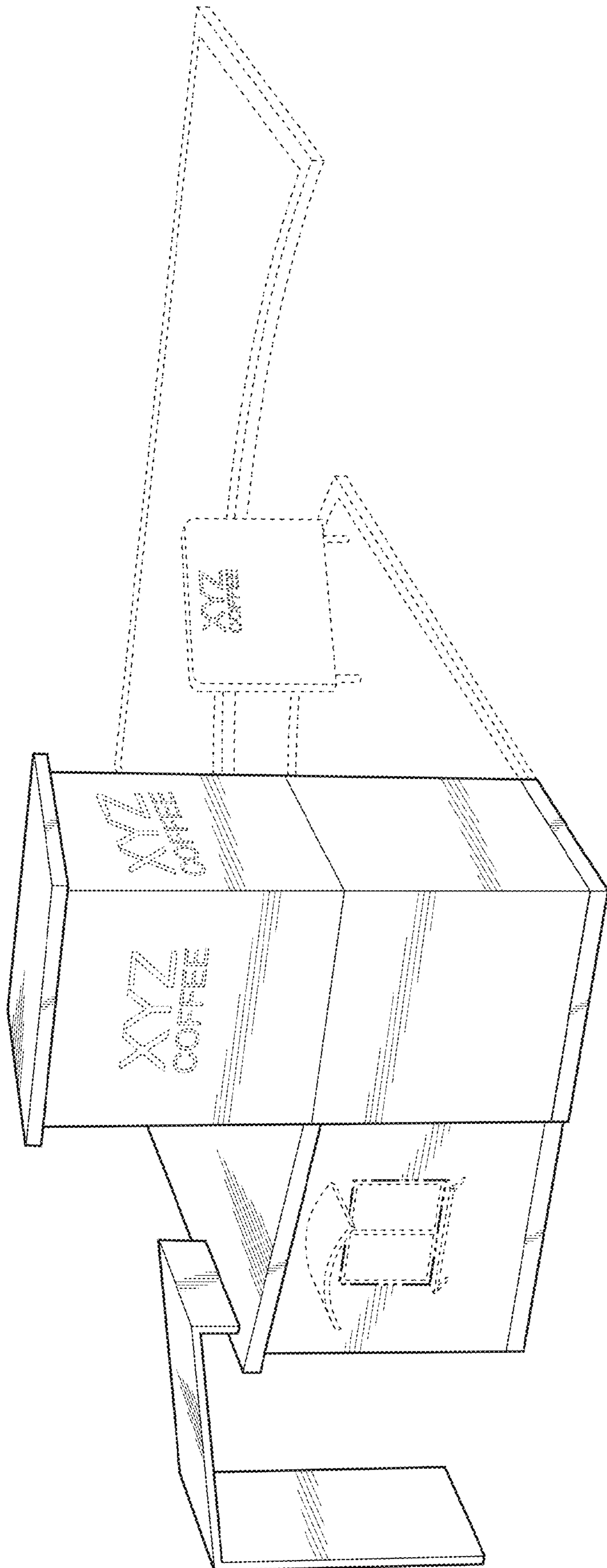


FIG. 1

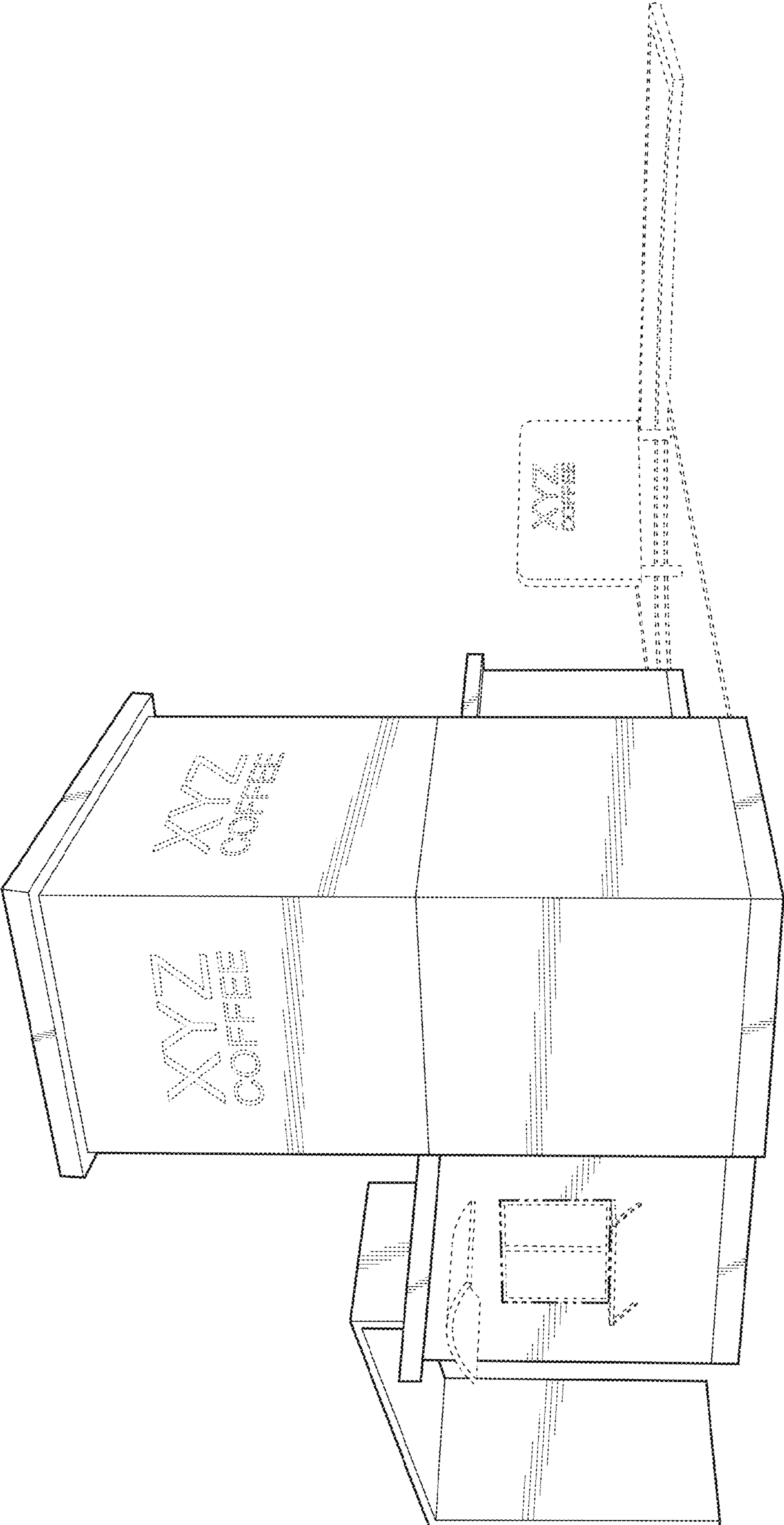


FIG. 2

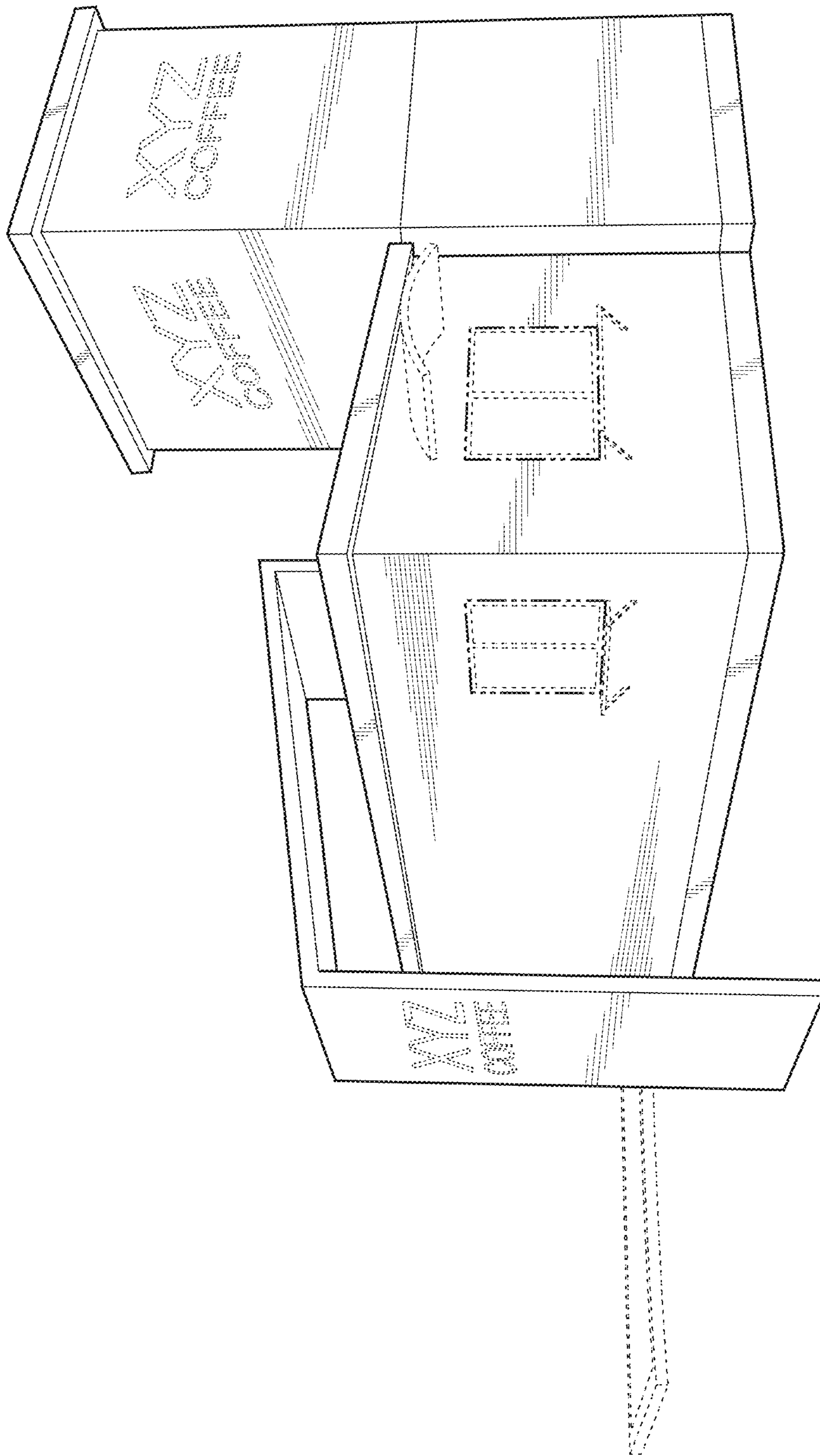


FIG. 3

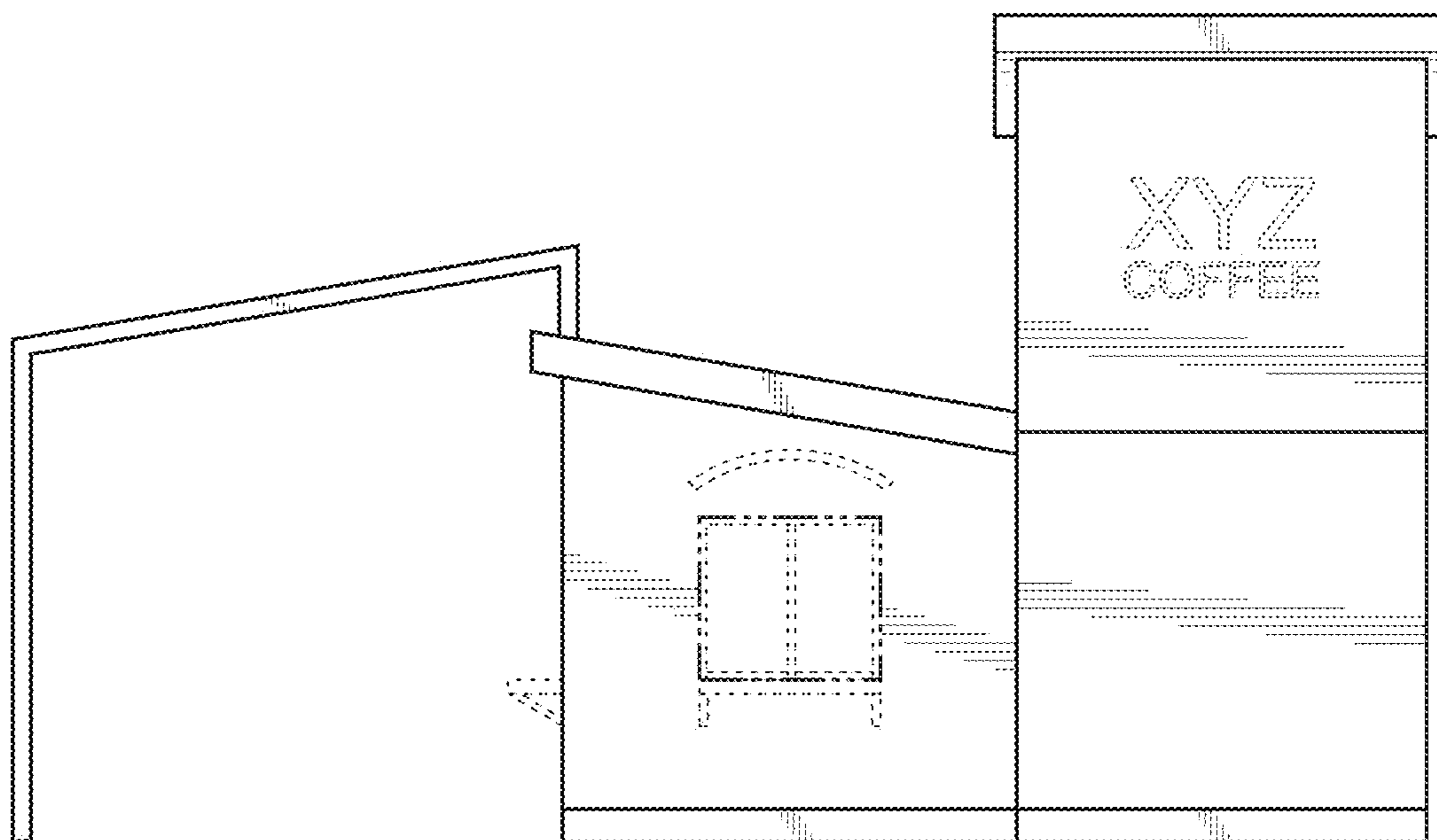


FIG. 4

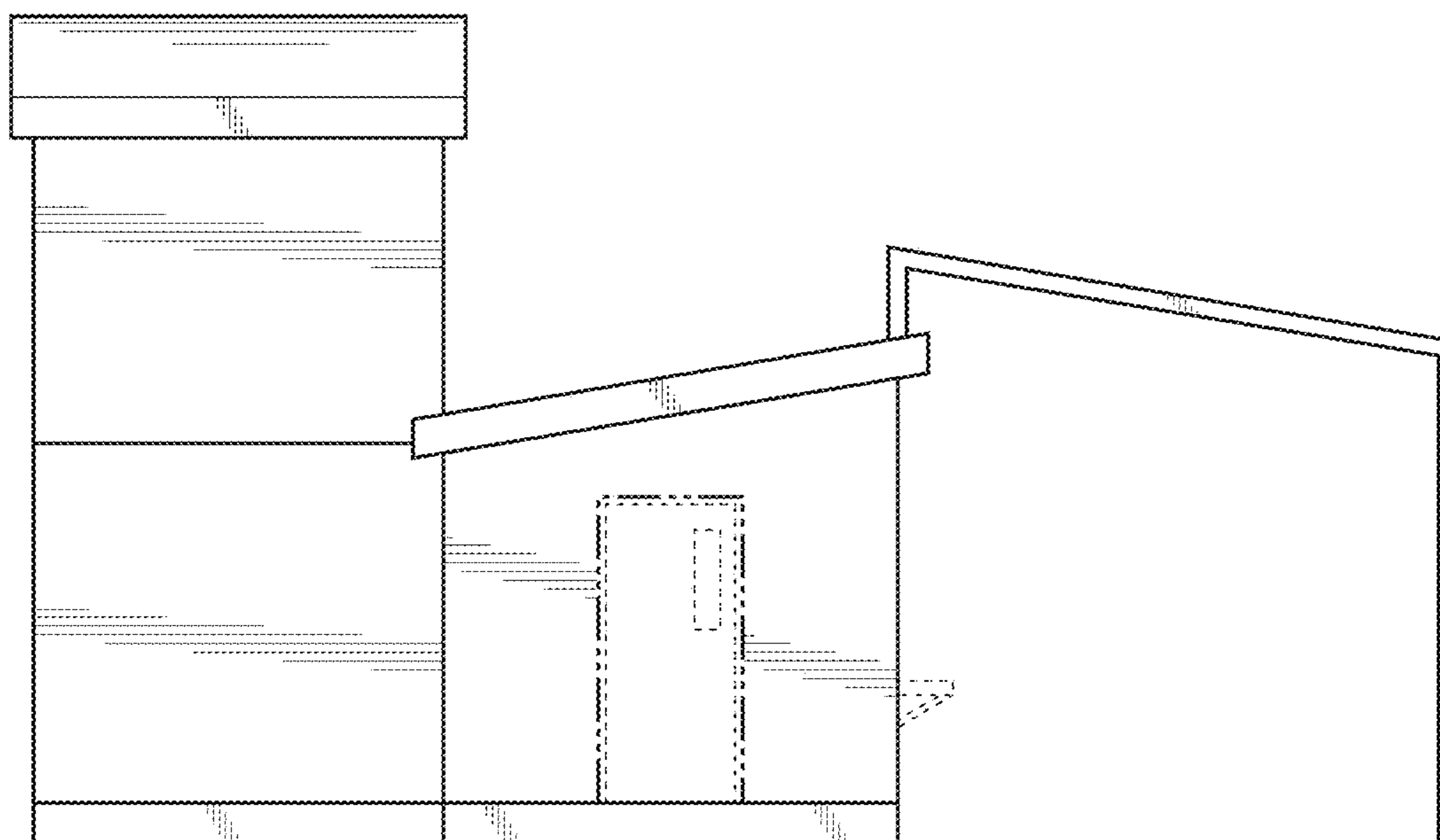


FIG. 5

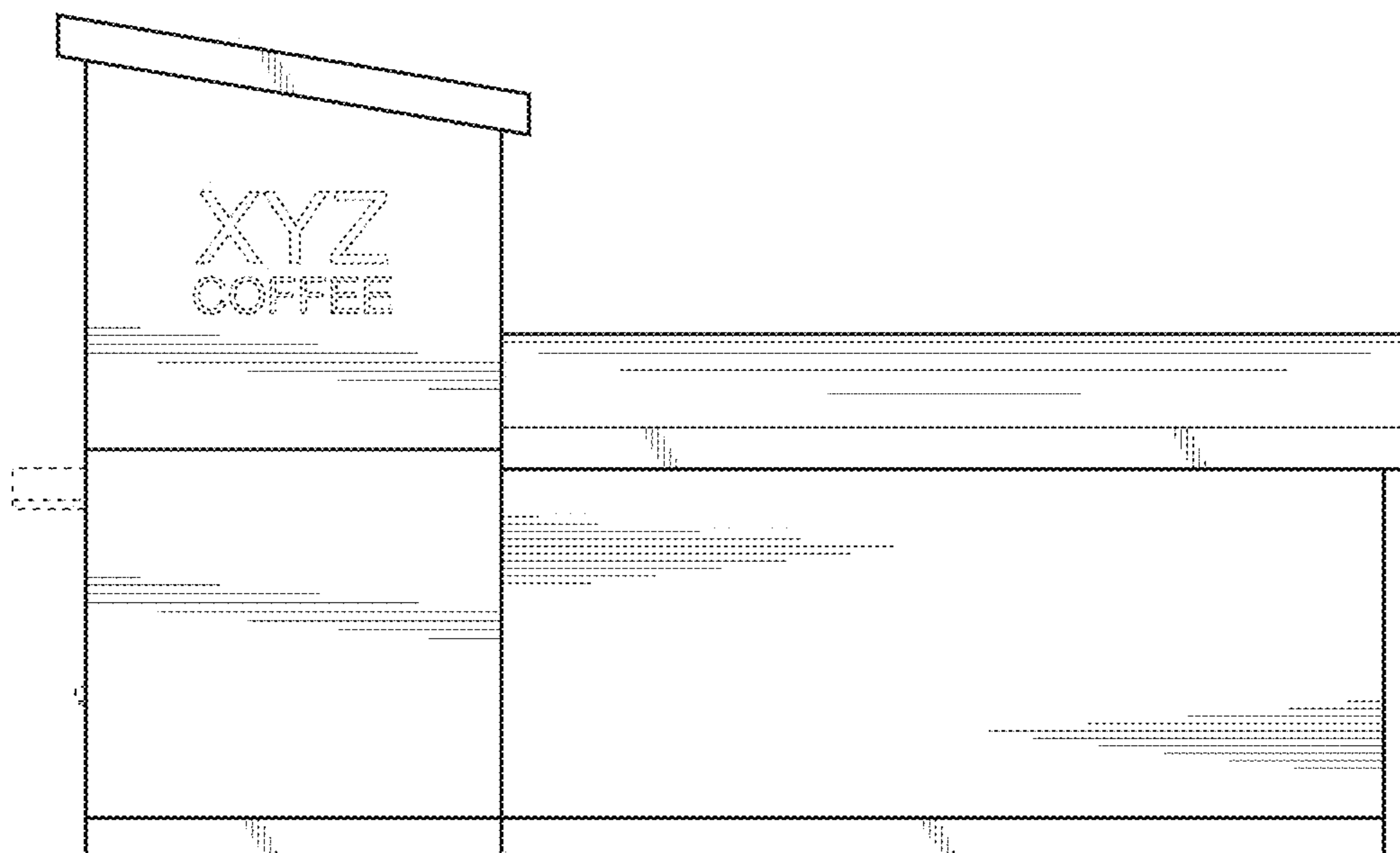


FIG. 6

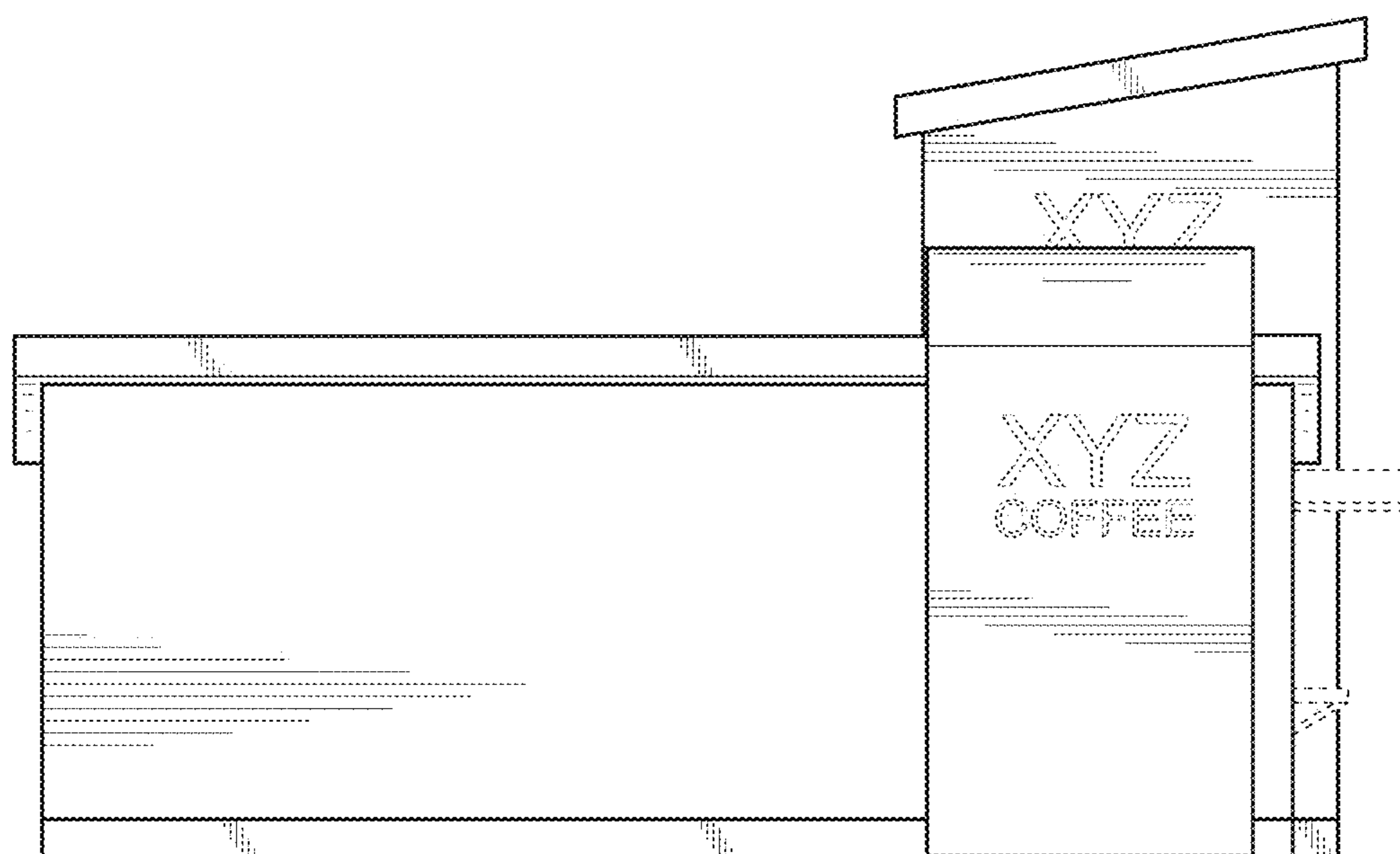


FIG. 7

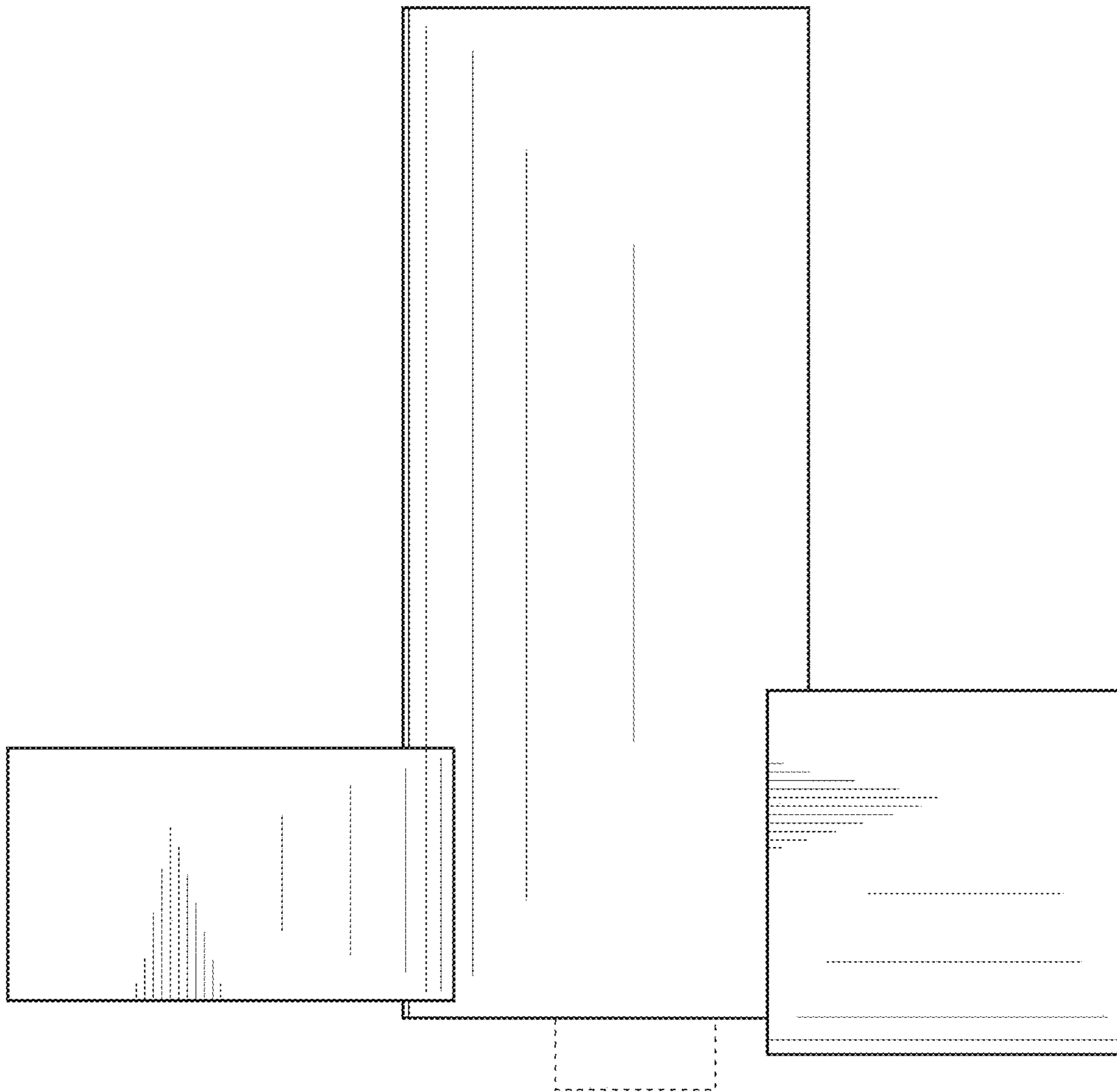


FIG. 8

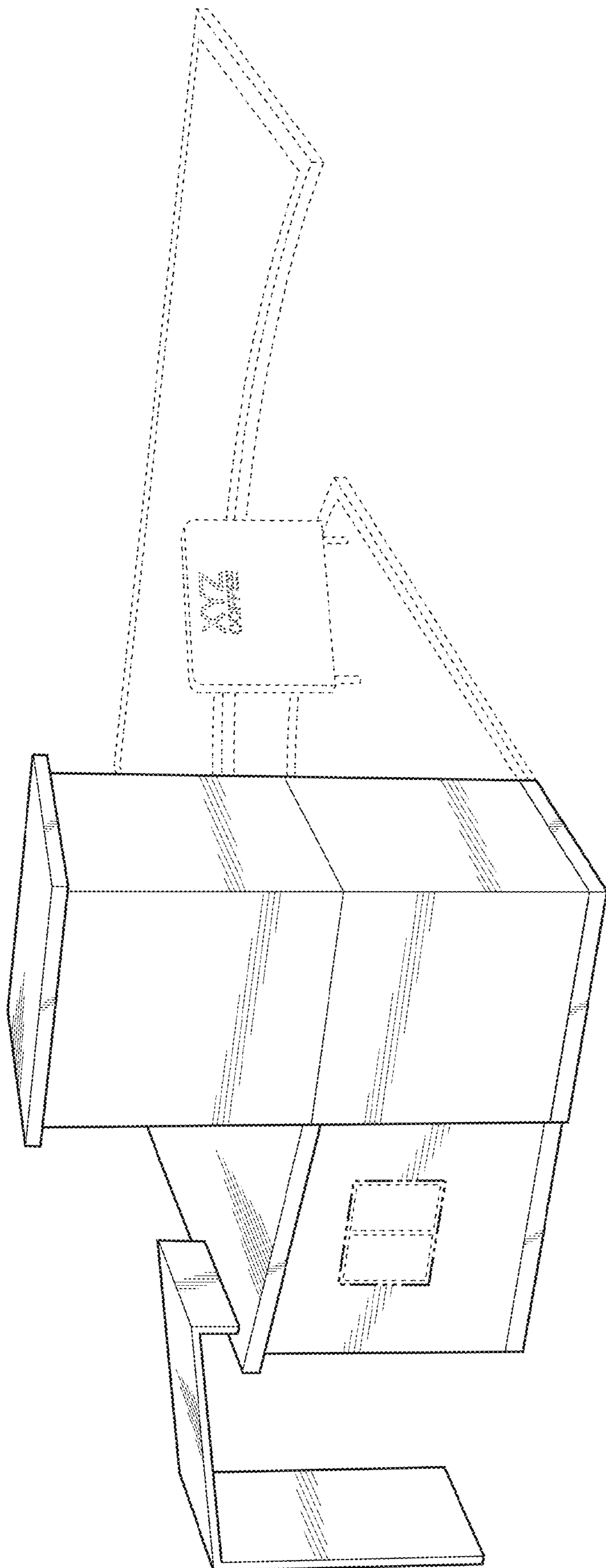


FIG. 9

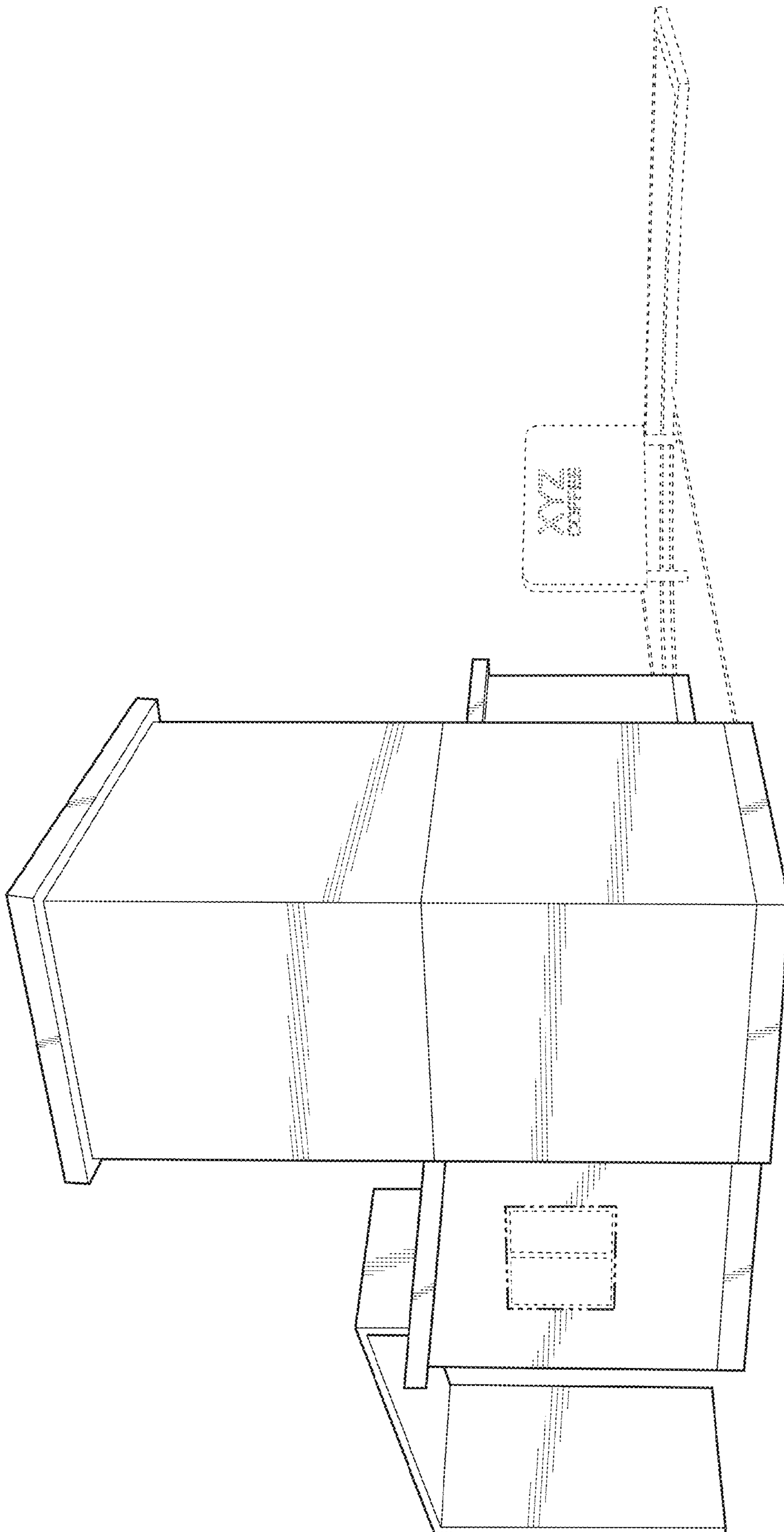


FIG. 10

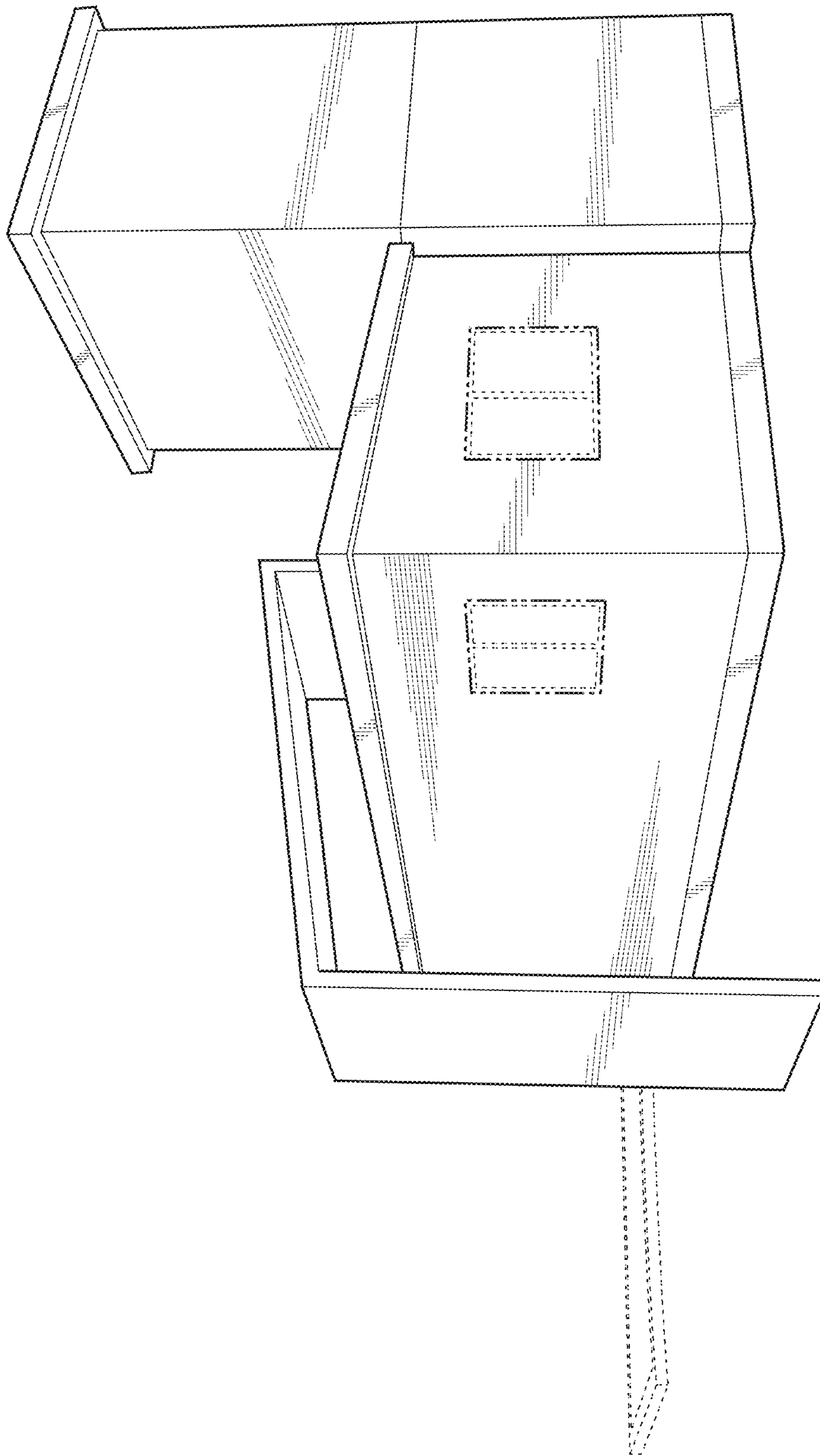


FIG. 11

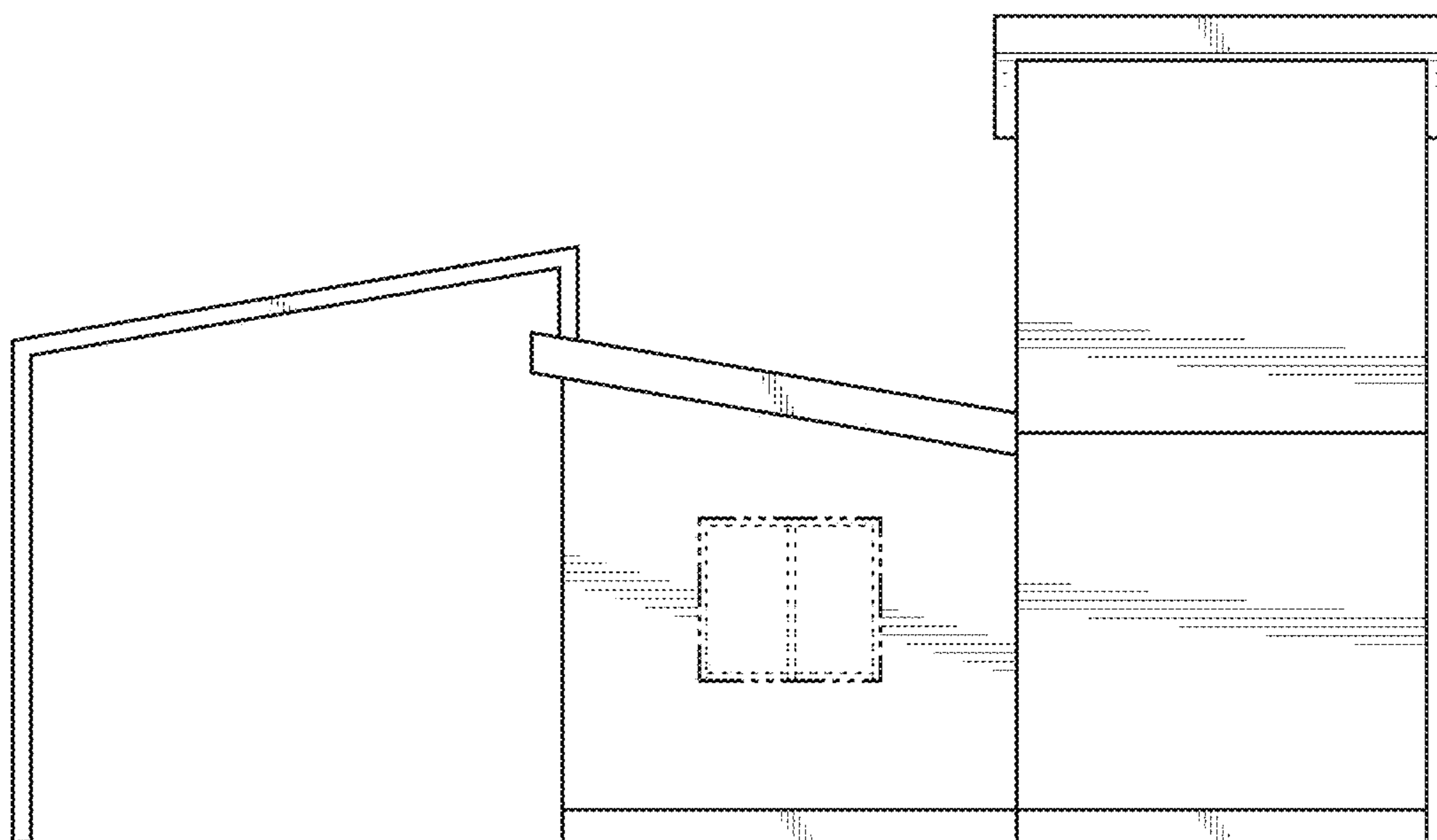


FIG. 12

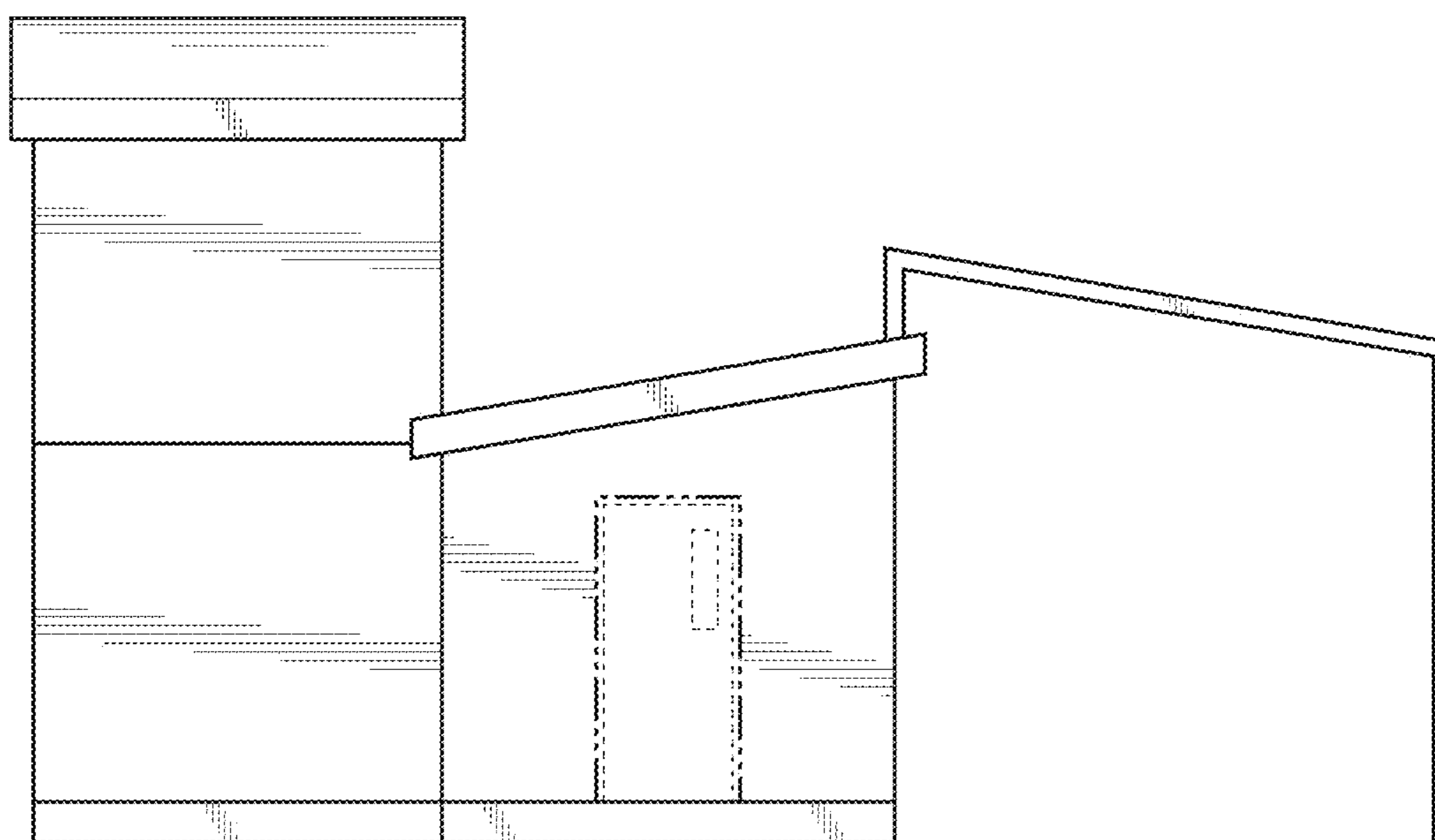


FIG. 13

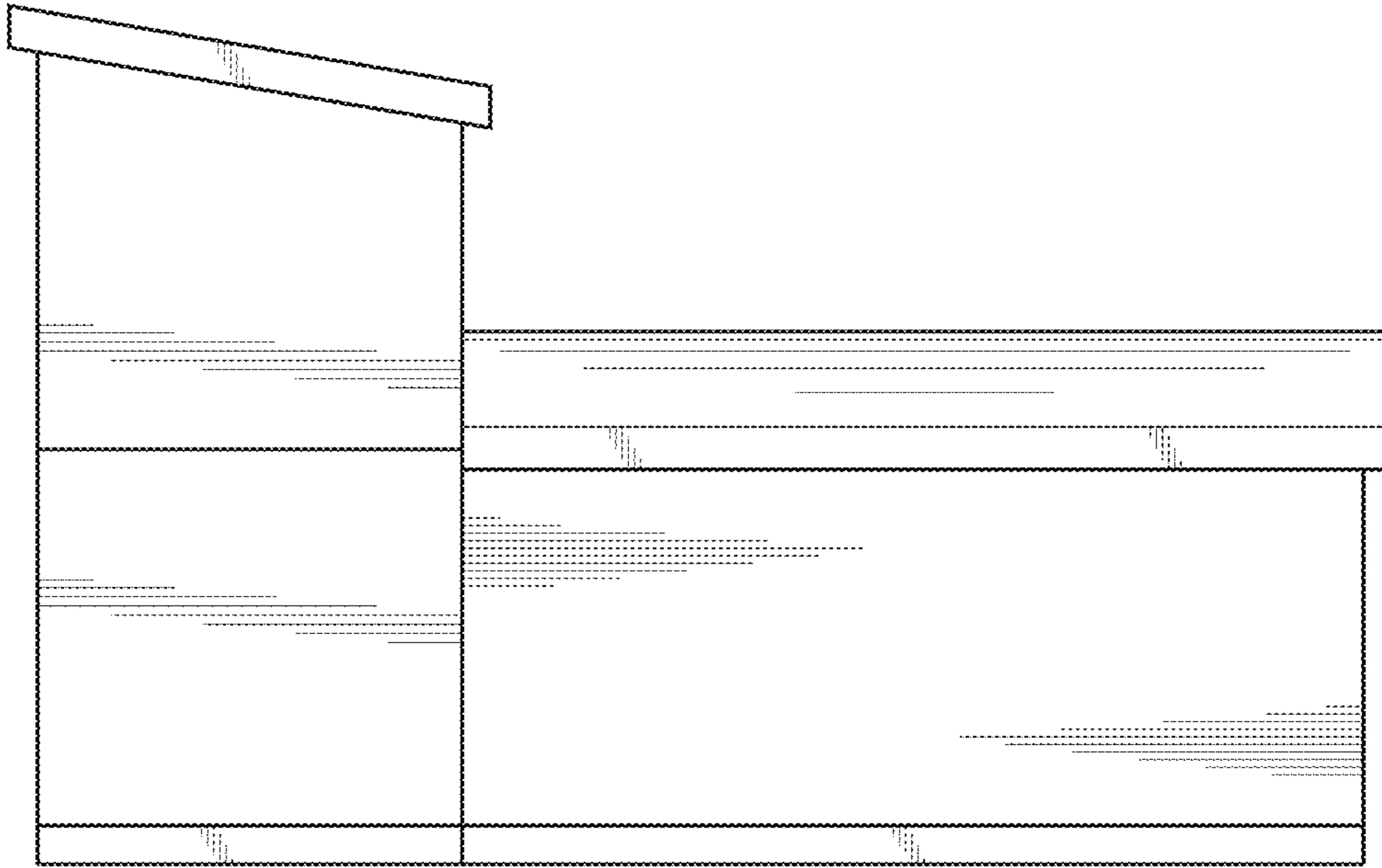


FIG. 14

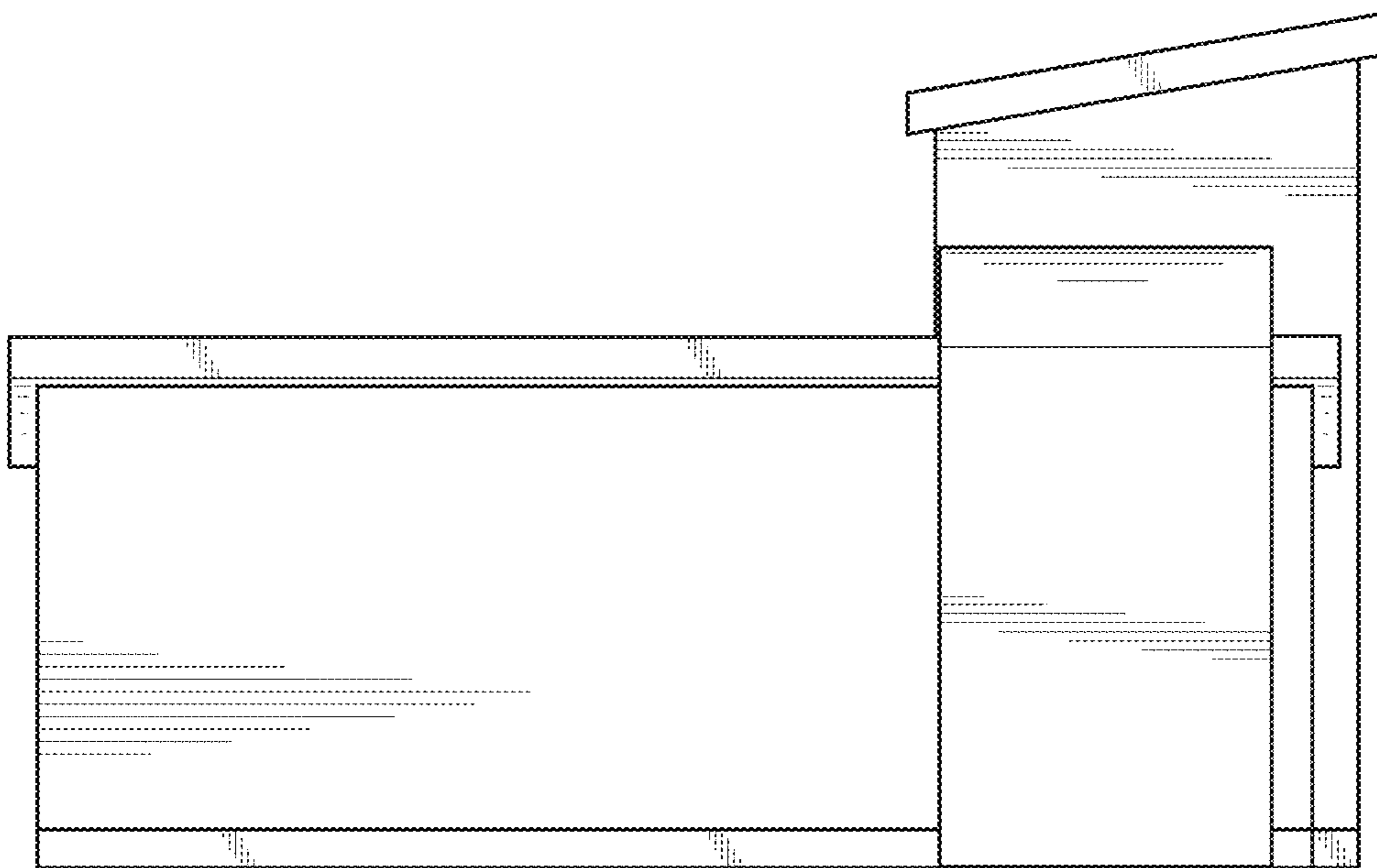


FIG. 15