

US00D937436S

(12) **United States Design Patent** (10) **Patent No.:** **US D937,436 S**
He (45) **Date of Patent:** **** Nov. 30, 2021**

(54) **WHITE NOISE MACHINE**
(71) Applicant: **SHENZHEN MEIDA HONGDA TECHNOLOGY CO., LTD.**, Shenzhen (CN)
(72) Inventor: **Yiqiang He**, Meizhou (CN)
(73) Assignee: **SHENZHEN MEIDA HONGDA TECHNOLOGY CO., LTD.**, Shenzhen (CN)
(**) Term: **15 Years**
(21) Appl. No.: **29/775,299**
(22) Filed: **Mar. 23, 2021**
(51) **LOC (13) Cl.** **24-99**
(52) **U.S. Cl.**
USPC **D24/231**
(58) **Field of Classification Search**
USPC D24/231; D26/51; D14/496, 216, 299, D14/203.1, 204, 314, 358; D9/504; D28/89; D13/108; D3/203.1
CPC A61M 21/00; A61F 11/08; G01K 15/04; G01K 11/17855
See application file for complete search history.

(56) **References Cited**
U.S. PATENT DOCUMENTS
2,644,153 A * 6/1953 Beazley A61M 21/00 340/384.72
3,121,220 A * 2/1964 Buckwalter A61M 21/00 340/404.2
D311,065 S * 10/1990 Theisen D24/231
D381,019 S * 7/1997 Muller D24/231
7,464,786 B2 * 12/2008 Falco A61F 11/08 181/135
D584,290 S * 1/2009 Lee D14/216

D627,650 S * 11/2010 Yeung D9/504
D655,079 S * 3/2012 Patenaude D3/203.1
D664,853 S * 8/2012 Kipry D9/504
D681,278 S * 4/2013 Schlatter D28/89
D731,465 S * 6/2015 Khubani D14/216
D802,022 S * 11/2017 Yao D14/496
D815,150 S * 4/2018 Hu D14/496
D843,418 S * 3/2019 Demin D14/496
D847,373 S * 4/2019 Hurwit D24/231
D855,467 S * 8/2019 McCay D9/504
D862,731 S * 10/2019 Hu D24/231
D865,716 S * 11/2019 Kuang D14/216
D868,034 S * 11/2019 Summerson D14/216
D869,503 S * 12/2019 Johnson D14/496
D870,663 S * 12/2019 Schubert D13/108
D870,704 S * 12/2019 Leung D14/216
D876,818 S * 3/2020 Lieberman D3/203.1
D883,275 S * 5/2020 Zhang D14/299

(Continued)

Primary Examiner — Rhea Shields

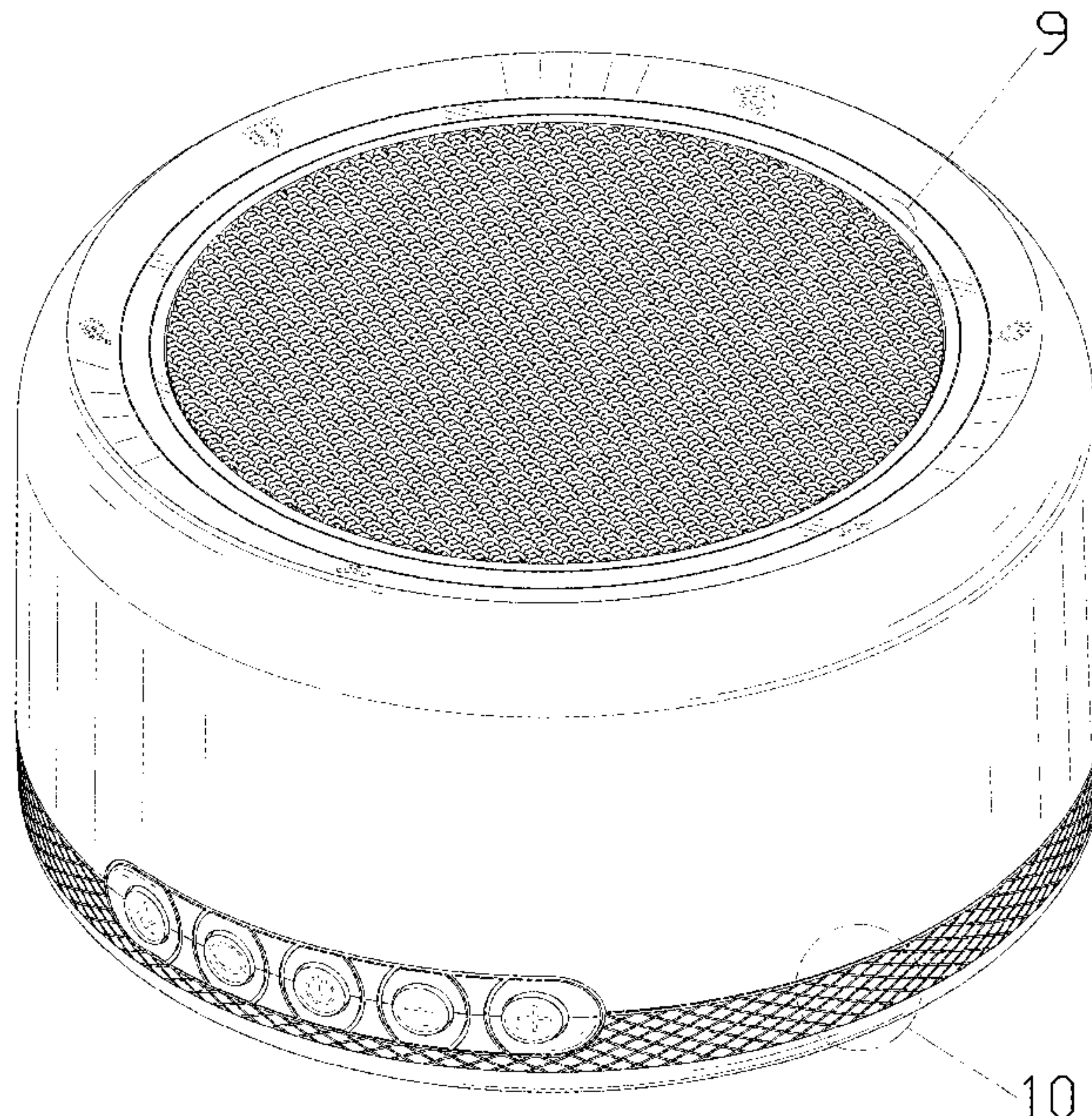
(57) **CLAIM**

The ornamental design for a white noise machine, as shown and described.

DESCRIPTION

FIG. 1 is a perspective view of a white noise machine showing my new design;
FIG. 2 is another perspective view thereof;
FIG. 3 is a front elevational view thereof;
FIG. 4 is a rear elevational view thereof;
FIG. 5 is a left side elevational view thereof;
FIG. 6 is a right side elevational view thereof;
FIG. 7 is a top plan view thereof;
FIG. 8 is a bottom plan view thereof;
FIG. 9 is an enlarged view of portion 9 shown in FIG. 1; and,
FIG. 10 is an enlarged view of portion 10 shown in FIG. 1.
The broken lines in the drawings depict portions of the white noise machine that form no part of the claimed design.

1 Claim, 10 Drawing Sheets



(56)

References Cited

U.S. PATENT DOCUMENTS

D883,329	S	*	5/2020	Shi	D14/496
D884,668	S	*	5/2020	Kim	D14/204
D886,079	S	*	6/2020	Feng	D14/216
D886,786	S	*	6/2020	Chen	D14/204
D886,794	S	*	6/2020	Johnson	D14/204
D888,688	S	*	6/2020	Xie	D14/216
D889,434	S	*	7/2020	Xie	D14/216
D894,963	S	*	9/2020	Li	D14/496
D900,788	S	*	11/2020	Wang	D14/216
D905,011	S		12/2020	Chen		
D916,051	S	*	4/2021	Wang	D14/216
D920,538	S	*	5/2021	Zhang	D24/231
D925,083	S	*	7/2021	Taylor	D26/51
D929,990	S	*	9/2021	Maruyama	D14/358
D931,828	S	*	9/2021	Xiong	D14/203.1
2019/0172439	A1	*	6/2019	Dennis	G10K 11/17855
2019/0348019	A1	*	11/2019	Lazar	G10K 15/04

* cited by examiner

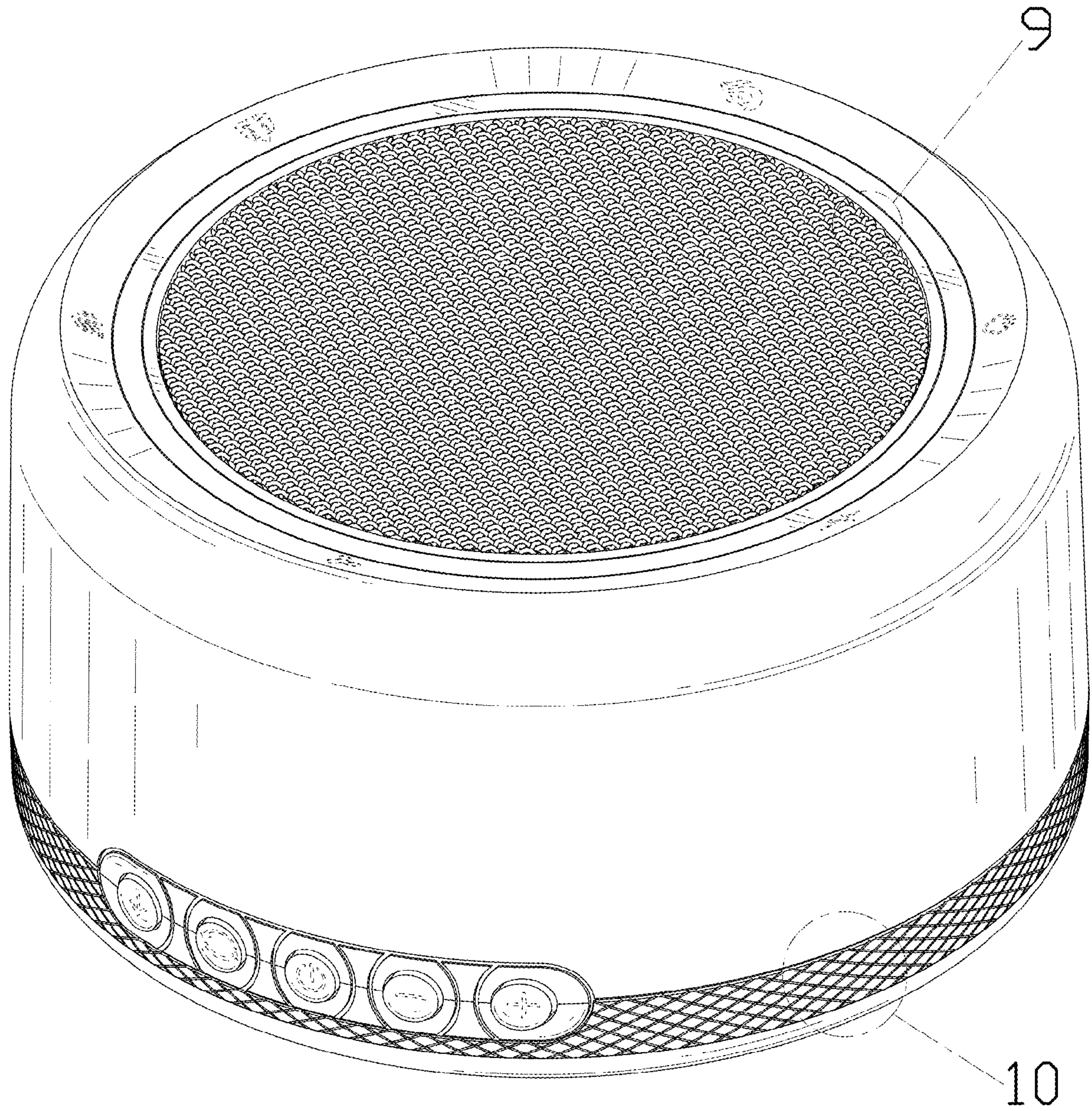


FIG. 1

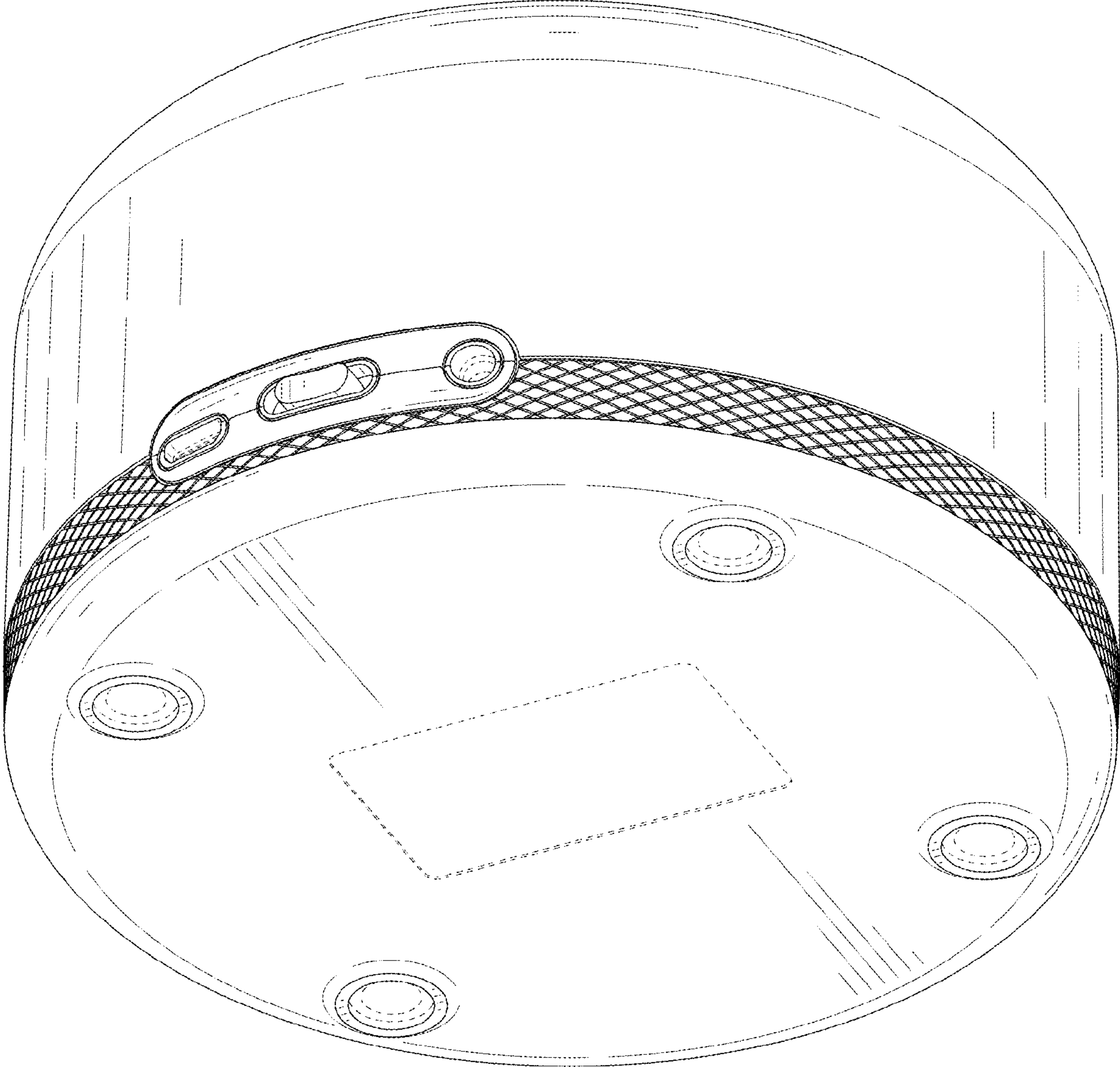


FIG. 2

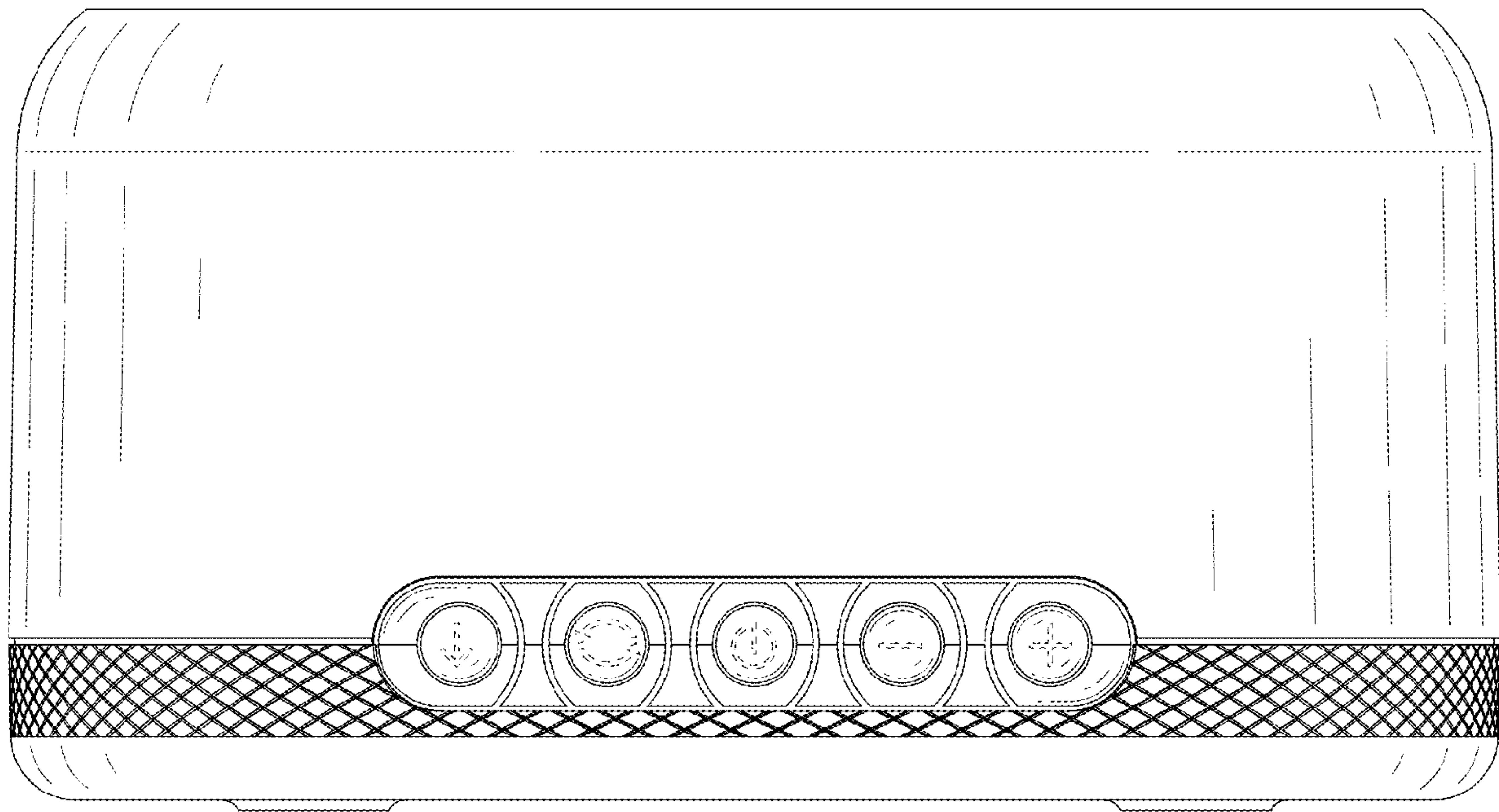


FIG. 3

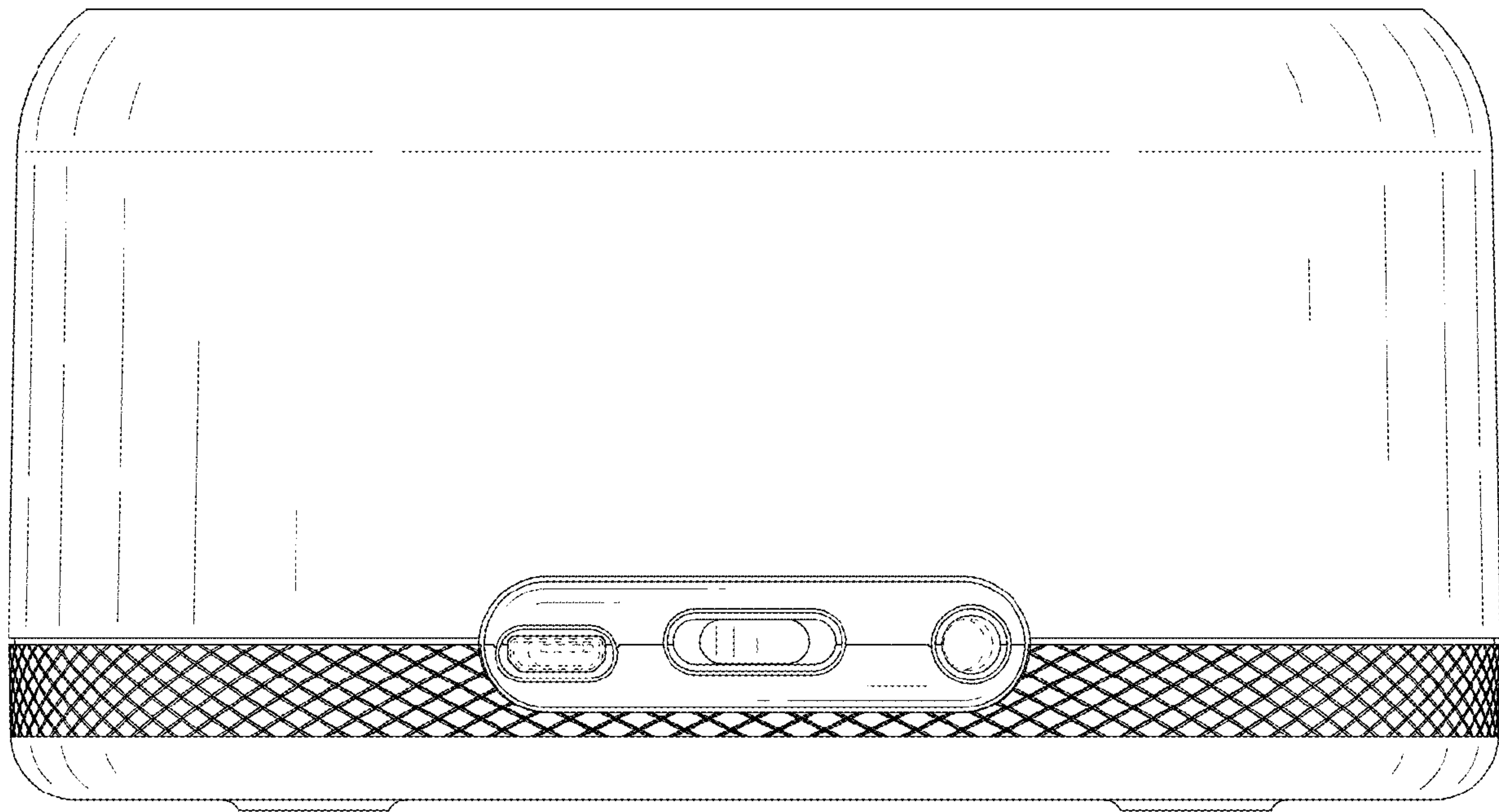


FIG. 4

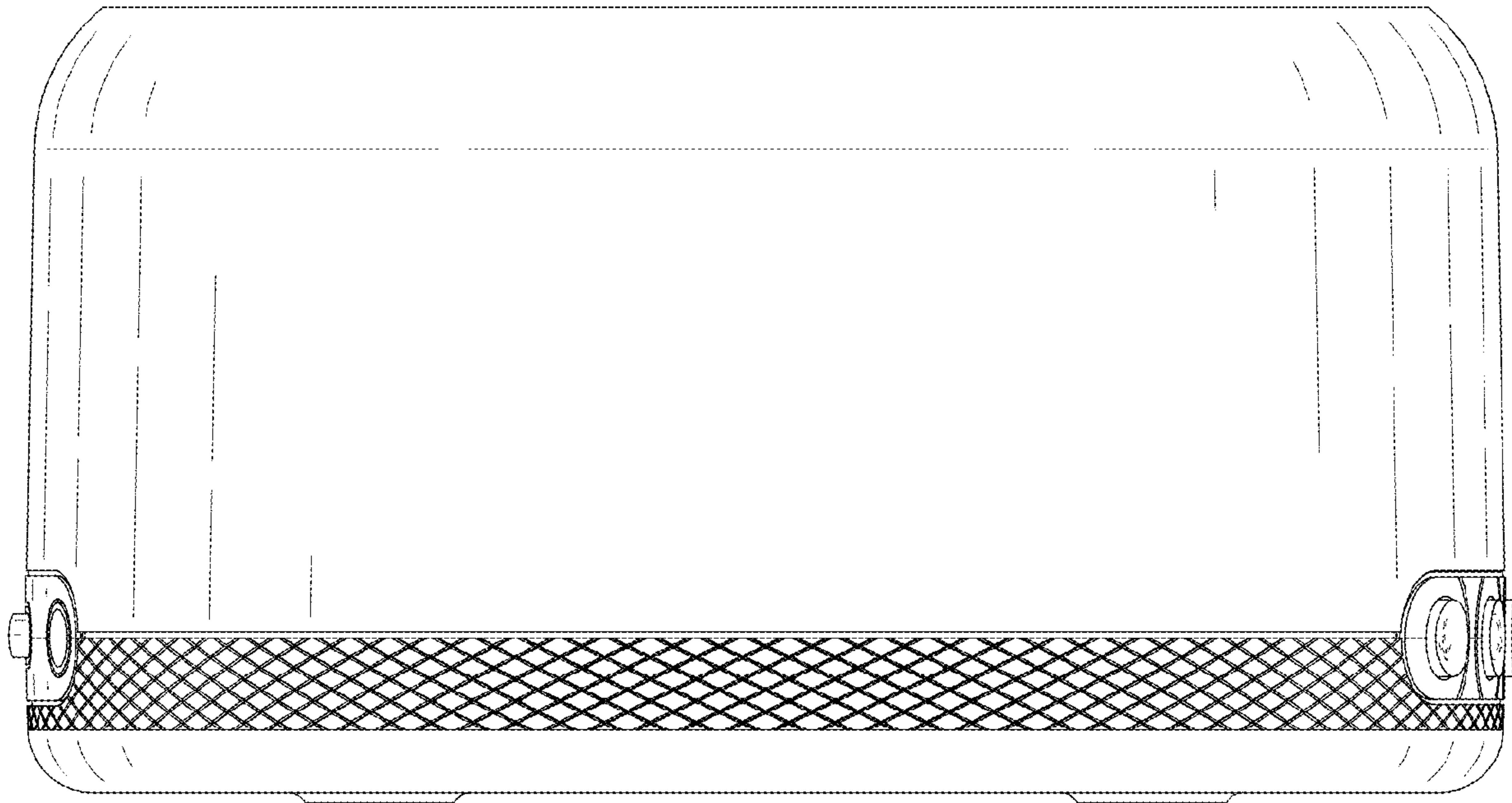


FIG. 5

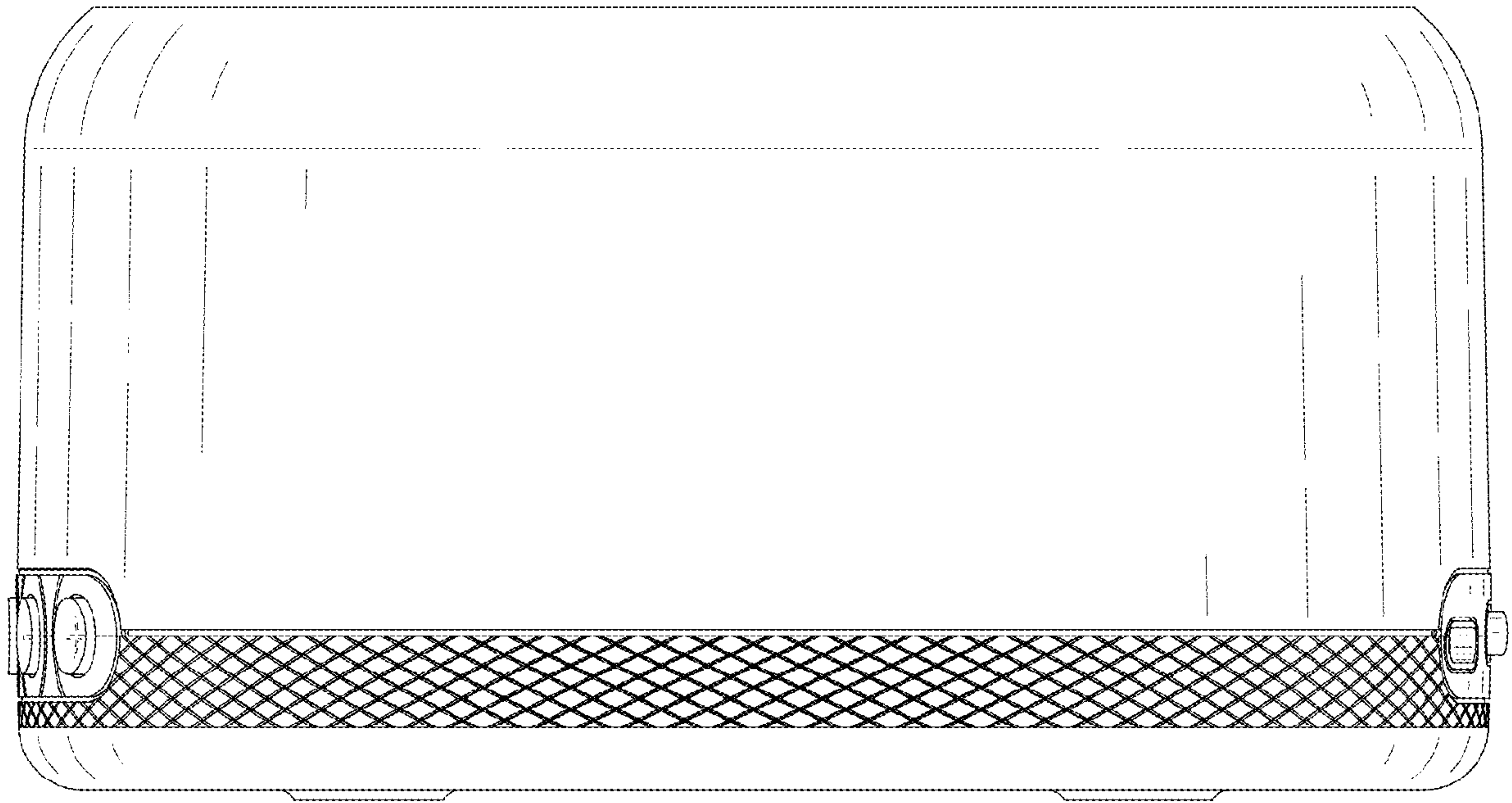


FIG. 6

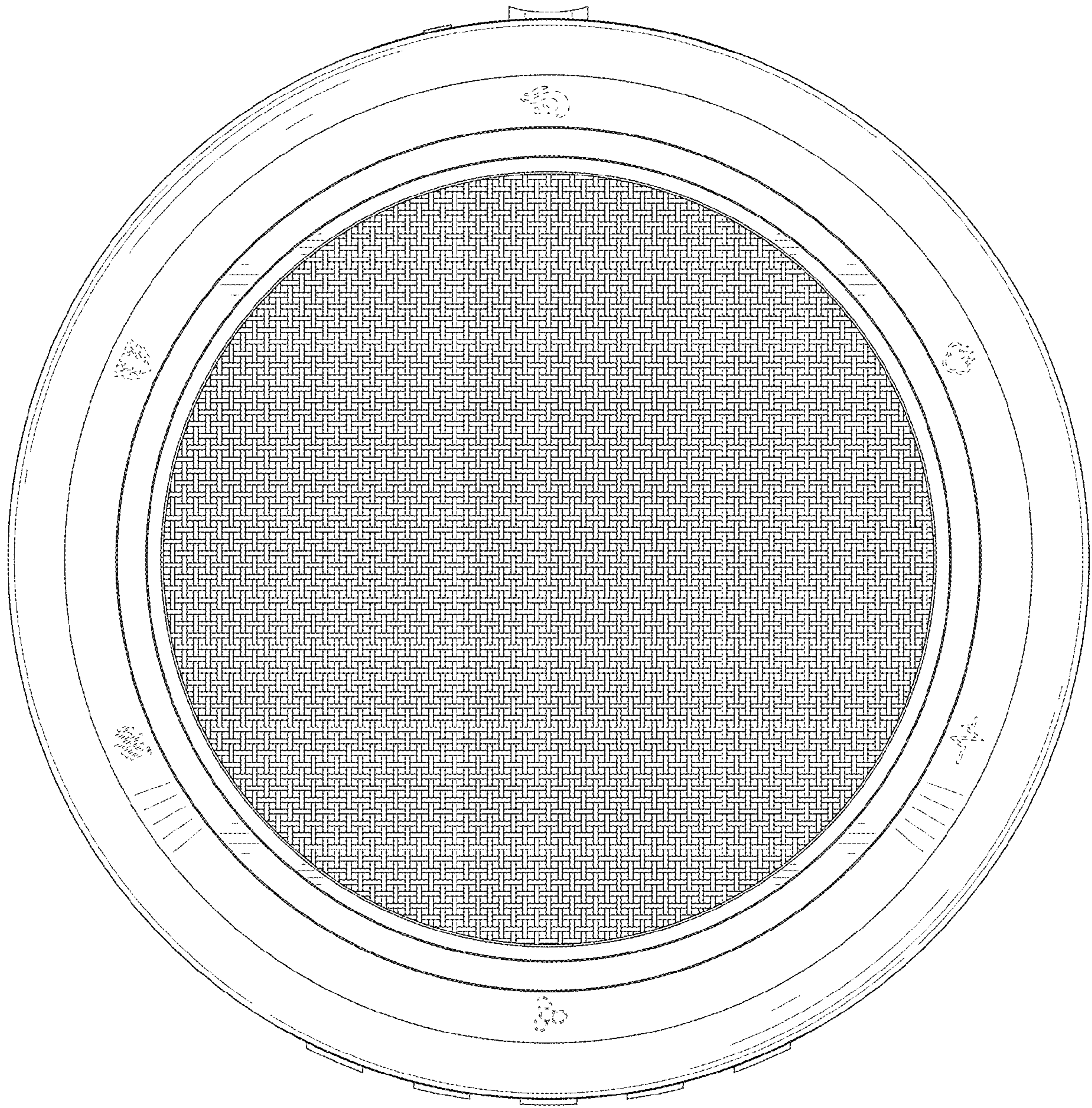


FIG. 7

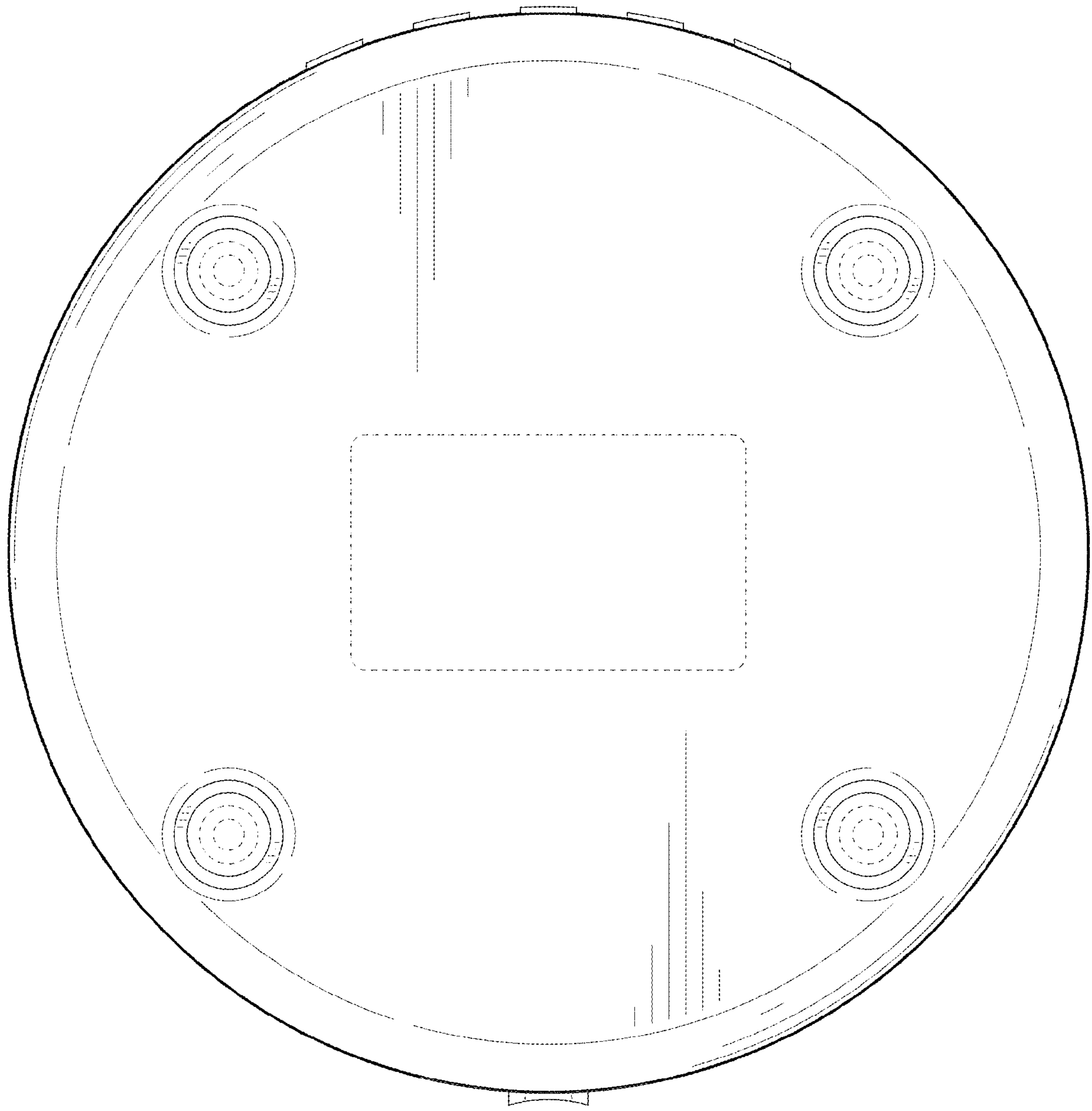


FIG. 8

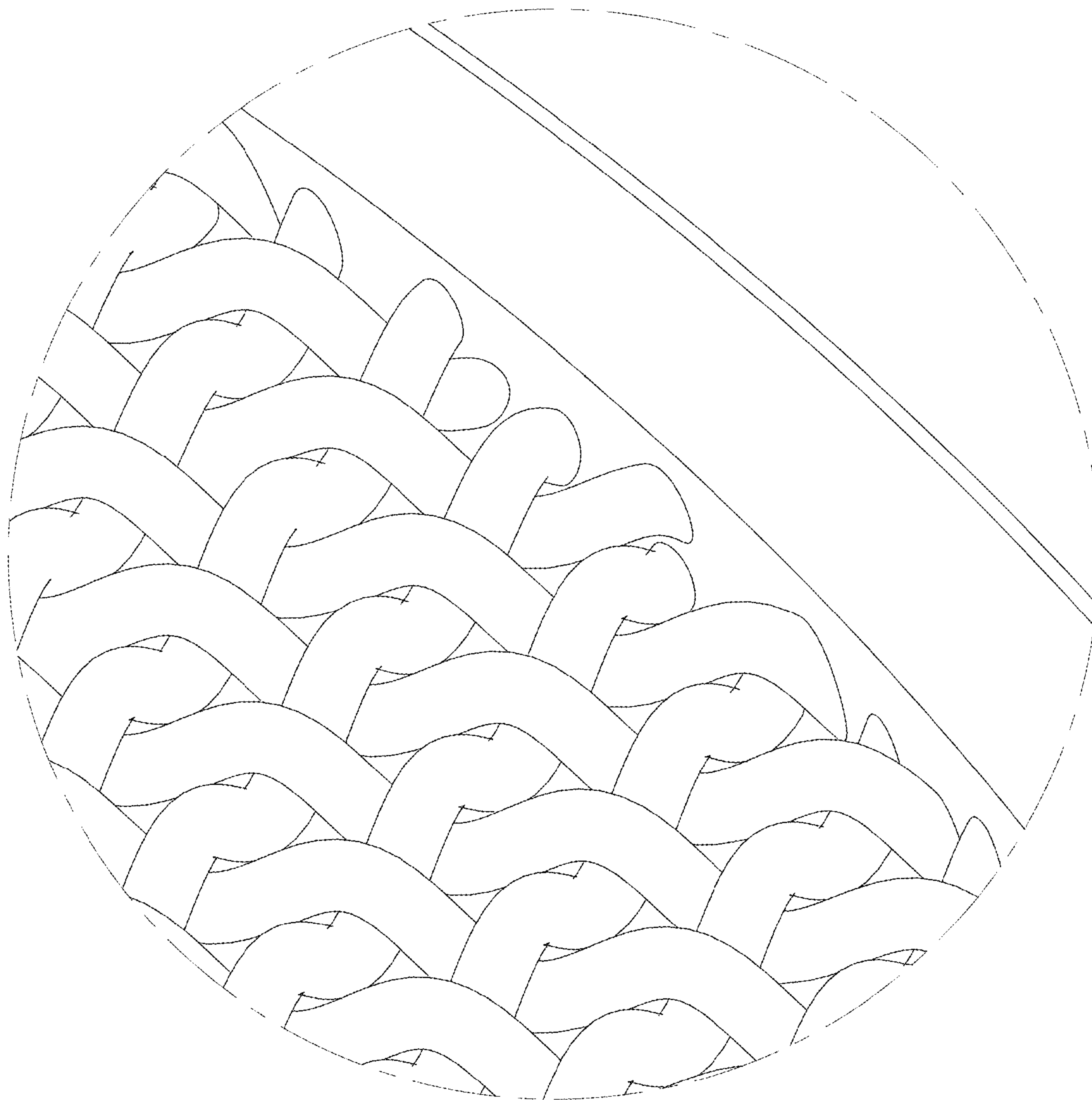


FIG. 9

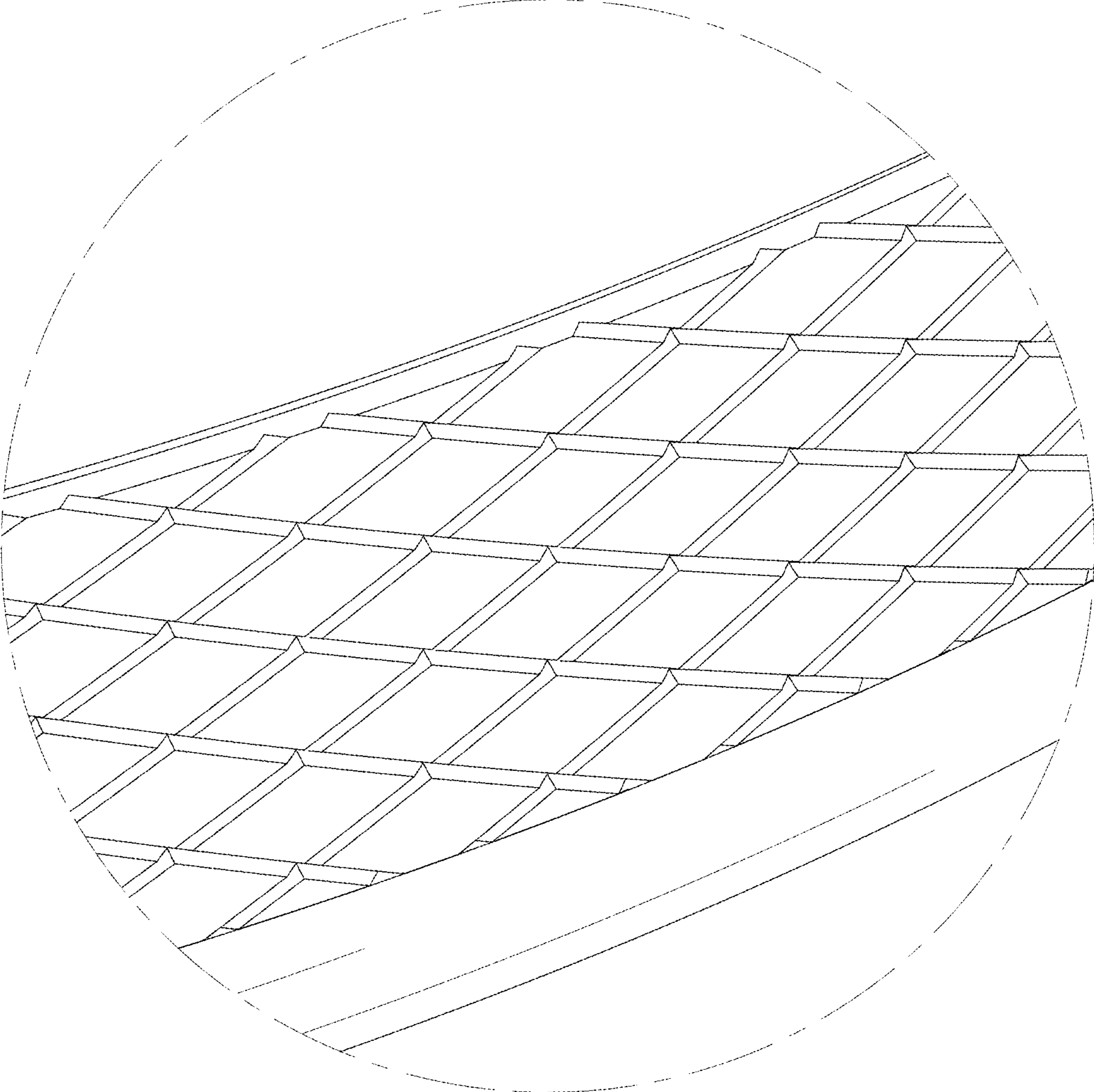


FIG. 10