



US00D937433S

(12) **United States Design Patent** (10) **Patent No.:** **US D937,433 S**
Sugie (45) **Date of Patent:** **** Nov. 30, 2021**

(54) **X-RAY ANALYZER**
(71) Applicant: **Shimadzu Corporation**, Kyoto (JP)
(72) Inventor: **Tomoya Sugie**, Kyoto (JP)

D913,519 S * 3/2021 Raghu D24/216
D914,905 S * 3/2021 Wade D24/216
2012/0051514 A1* 3/2012 Sims G01N 23/046
378/63

(73) Assignee: **SHIMADZU CORPORATION**, Kyoto (JP)
(**) Term: **15 Years**

FOREIGN PATENT DOCUMENTS

CN 201630227625 * 1/2017

* cited by examiner

(21) Appl. No.: **29/732,030**

Primary Examiner — Anhdao Doan

(74) *Attorney, Agent, or Firm* — JCIPRNET

(22) Filed: **Apr. 21, 2020**

(57) **CLAIM**

The ornamental design for a X-ray analyzer, as shown and described.

(30) **Foreign Application Priority Data**

DESCRIPTION

Feb. 18, 2020 (JP) 2020-003057

(51) **LOC (13) Cl.** **24-01**

The patent or application file contains a least one drawing executed in color. Copies of this patent or patent application publication with color drawing(s) will be provided by the Office upon request and payment of the necessary fee.

(52) **U.S. Cl.**

USPC **D24/216**; D24/158

FIG. 1 is a perspective view of a X-ray analyzer showing a first embodiment of my new design;

(58) **Field of Classification Search**

USPC D24/107, 158, 169, 186, 216, 219, 231, D24/232, 233; D10/81

FIG. 2 is a front view thereof;

CPC G01N 2035/00306; G01N 2035/00326;

FIG. 3 is a rear view thereof;

G01N 2035/00336; G01N 2030/027;

FIG. 4 is a left side view thereof;

G01N 21/76; G01N 21/6428; G01N

FIG. 5 is a right side view thereof;

21/645; G01N 2201/068; G01N 33/5005;

FIG. 6 is a top view thereof;

G01N 2500/10; G01N 21/64; C12Q

FIG. 7 is a bottom view thereof;

1/686; B01L 7/52; A61B 5/0071

FIG. 8 is a perspective view of a X-ray analyzer showing a second embodiment of my new design;

See application file for complete search history.

FIG. 9 is a front view thereof;

(56) **References Cited**

U.S. PATENT DOCUMENTS

D724,214 S * 3/2015 Ihara D24/158
D780,935 S * 3/2017 Goos D24/216
D855,823 S * 8/2019 Williamson D24/216
D874,017 S * 1/2020 Jenoski D24/216
D883,510 S * 5/2020 Neuman D24/216
D907,244 S * 1/2021 Sydlowski D24/232
D907,795 S * 1/2021 Buie D24/216

FIG. 10 is a rear view thereof;

FIG. 11 is a left side view thereof;

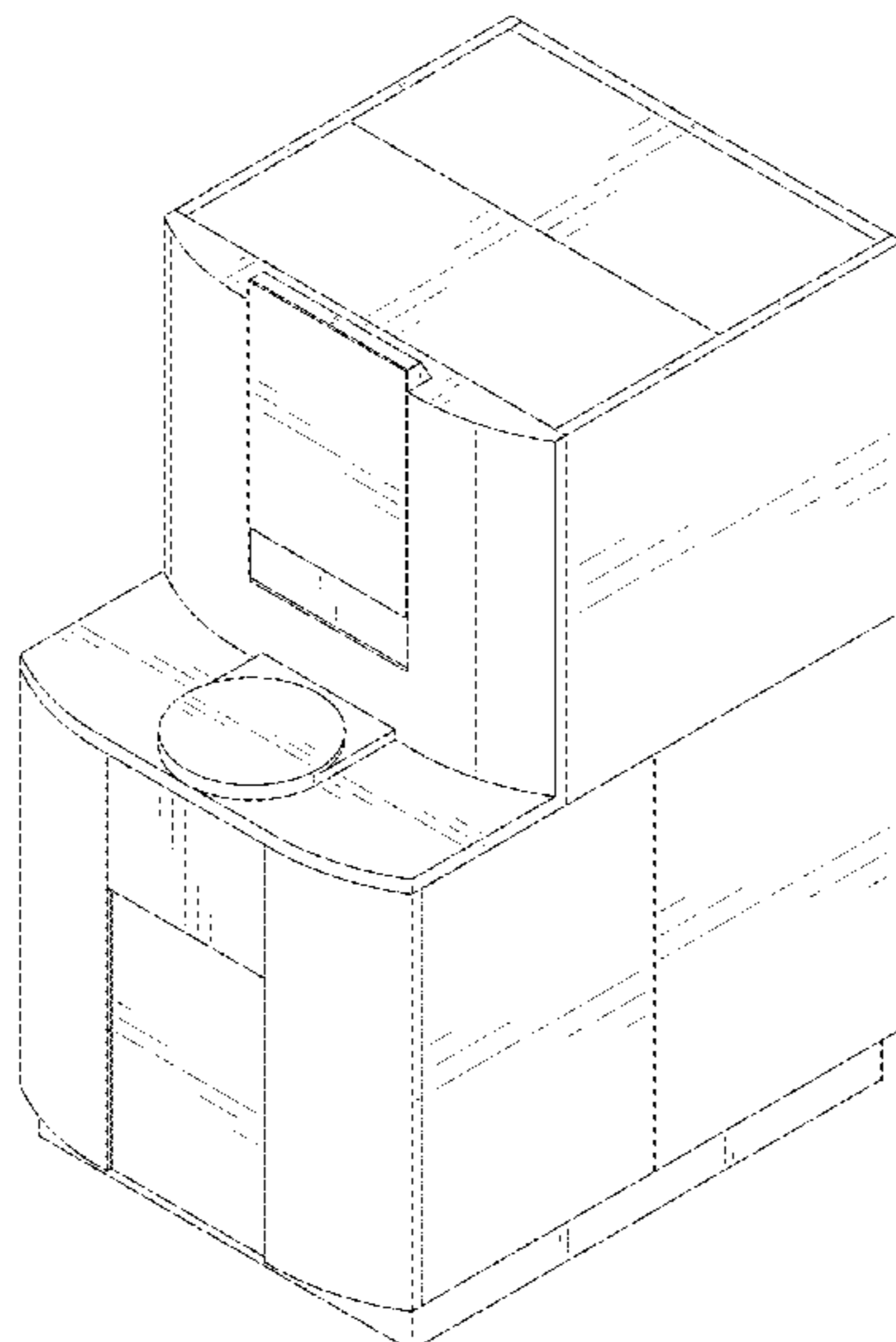
FIG. 12 is a right side view thereof;

FIG. 13 is a top view thereof; and,

FIG. 14 is a bottom view thereof.

The blue background in FIGS. 8-14 forms no part of the claimed design.

1 Claim, 14 Drawing Sheets
(7 of 14 Drawing Sheet(s) Filed in Color)



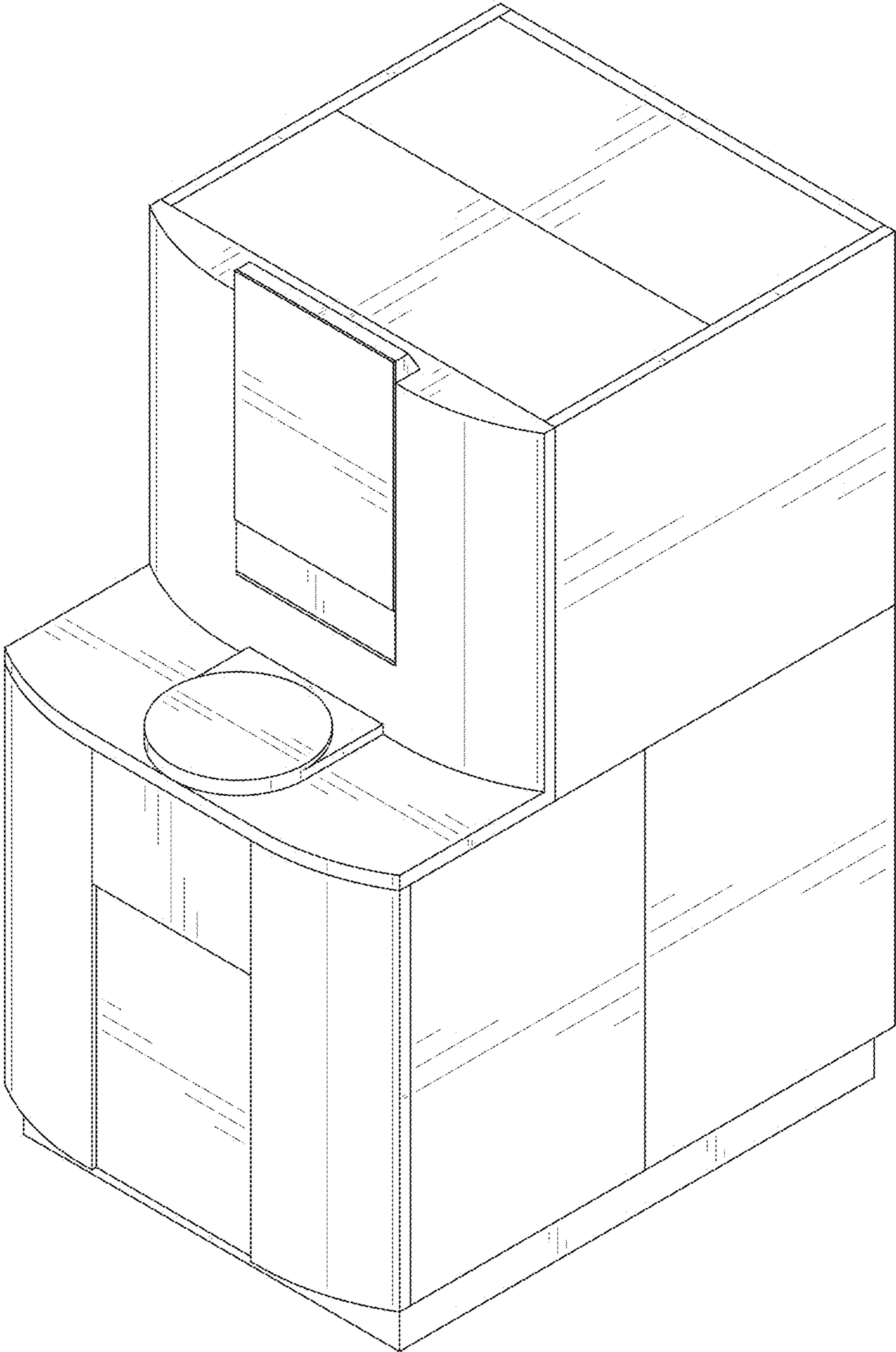


FIG. 1

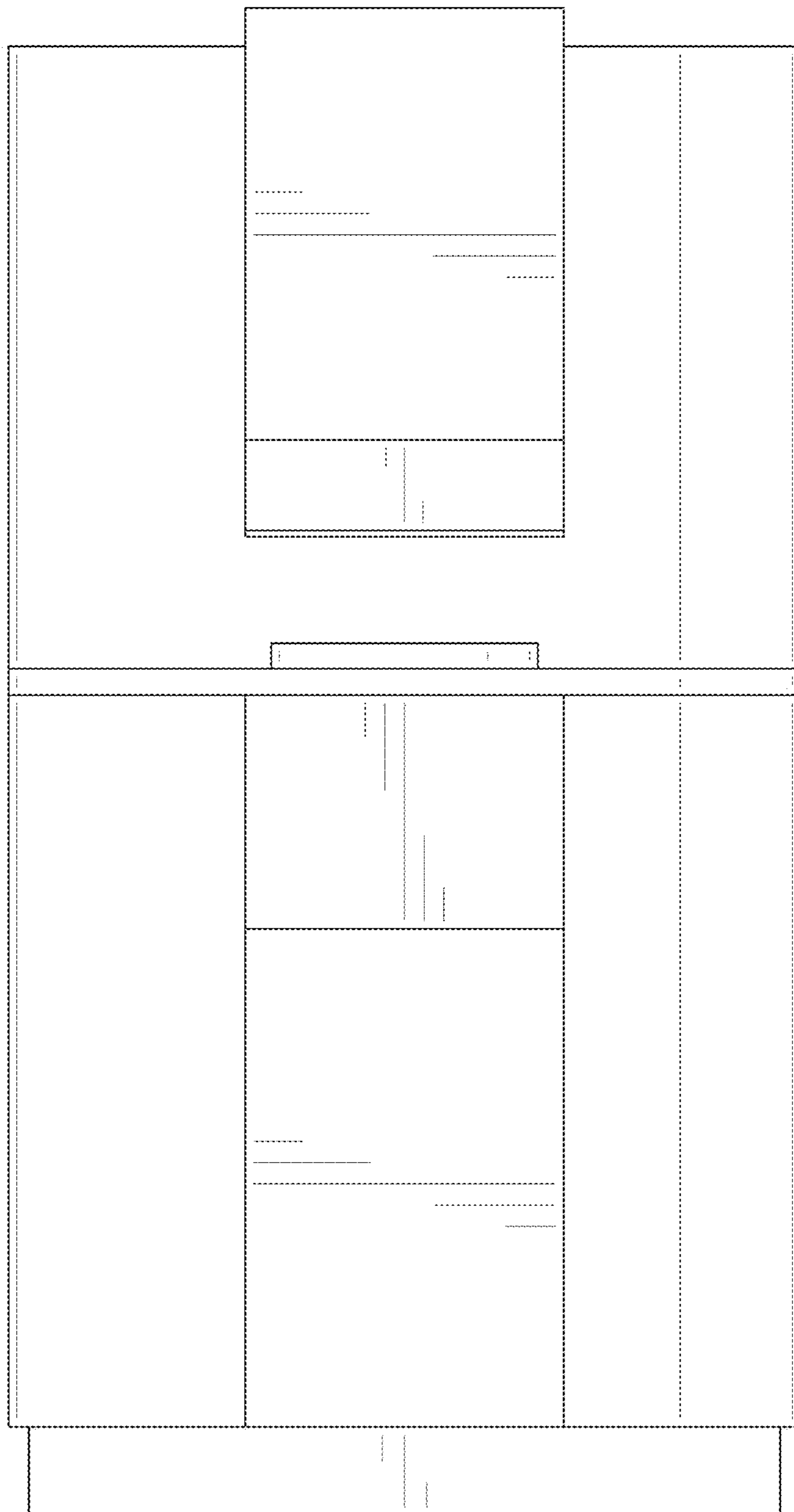


FIG. 2

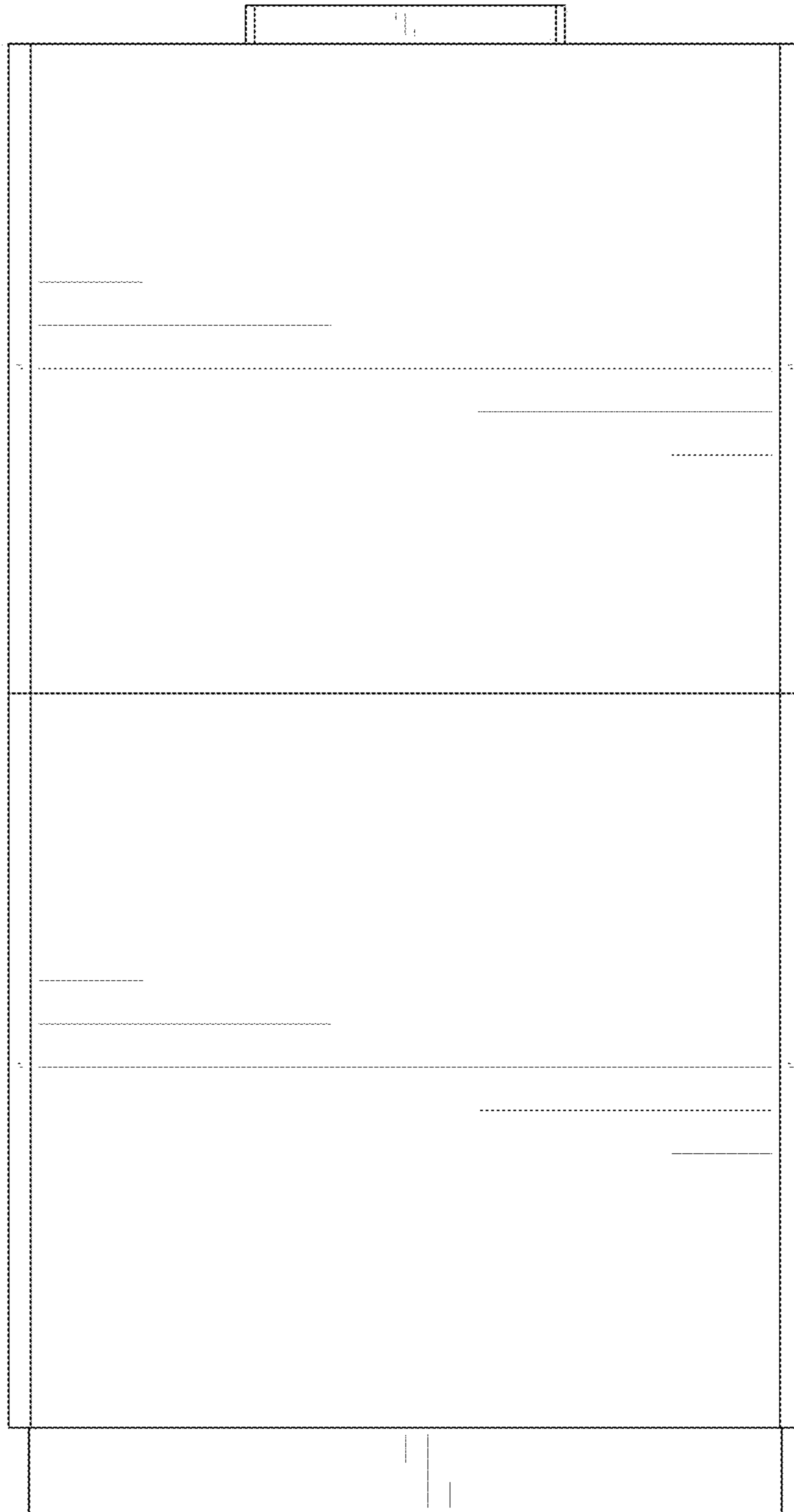


FIG. 3

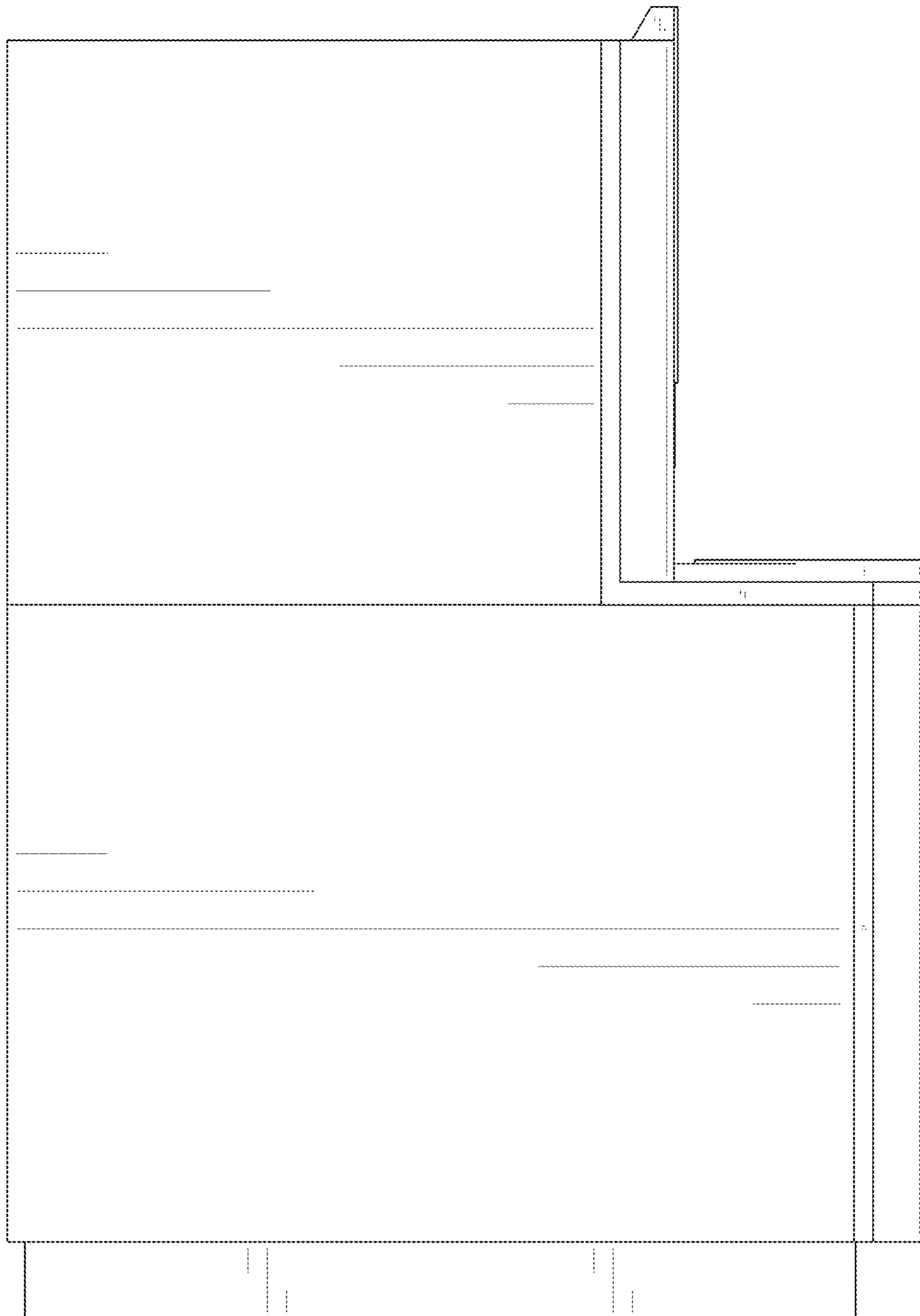


FIG. 4

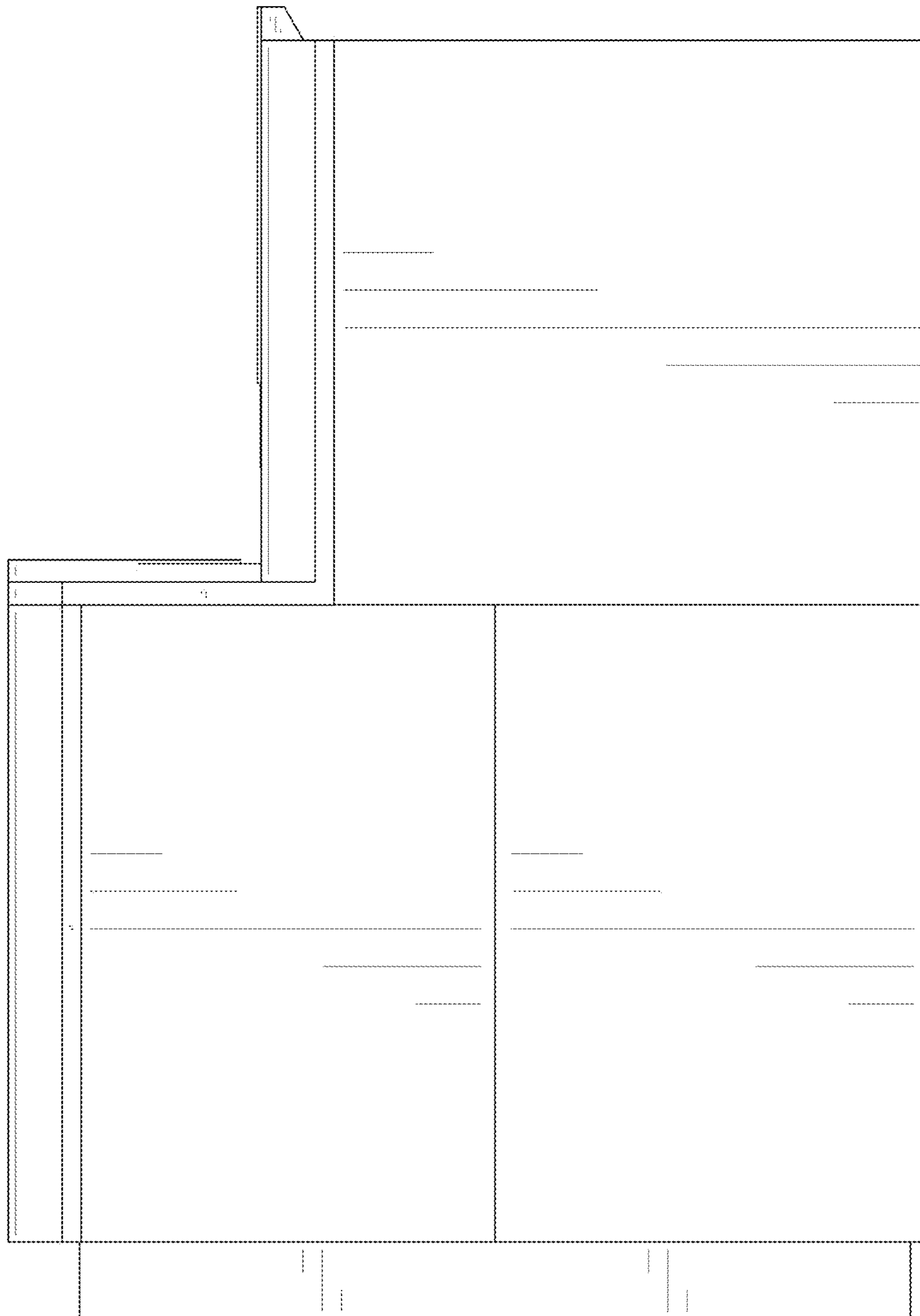


FIG. 5

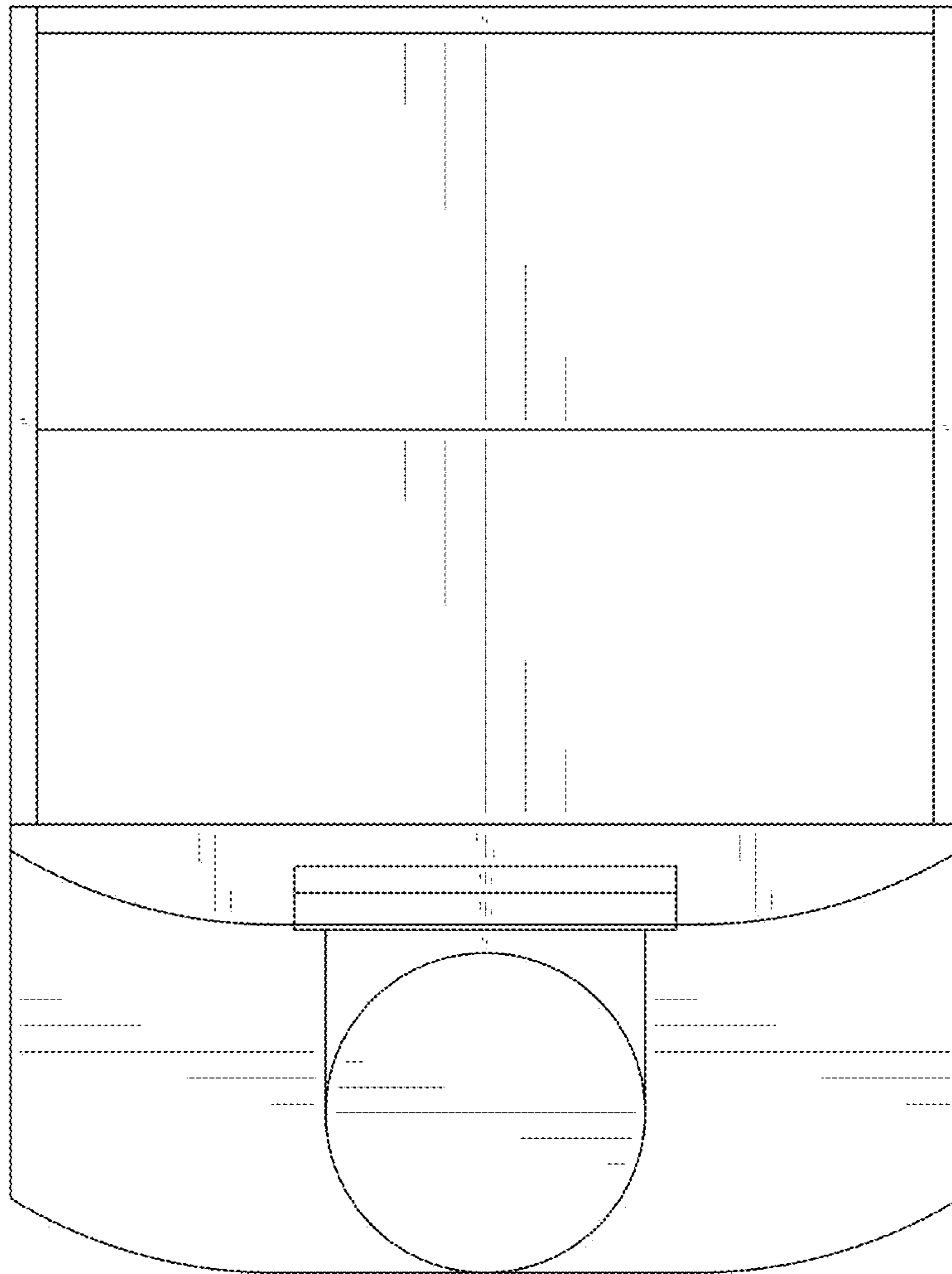


FIG. 6

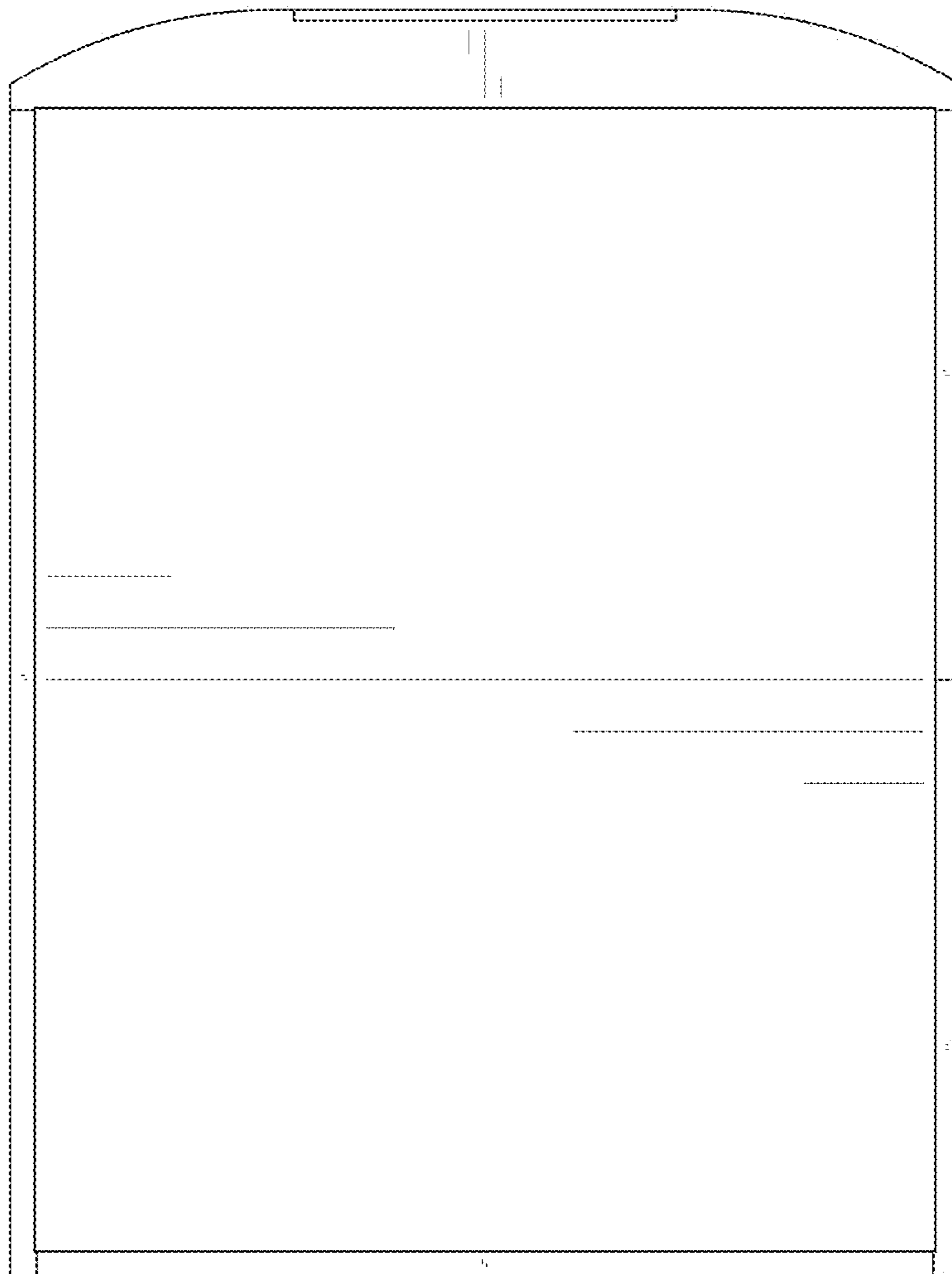


FIG. 7

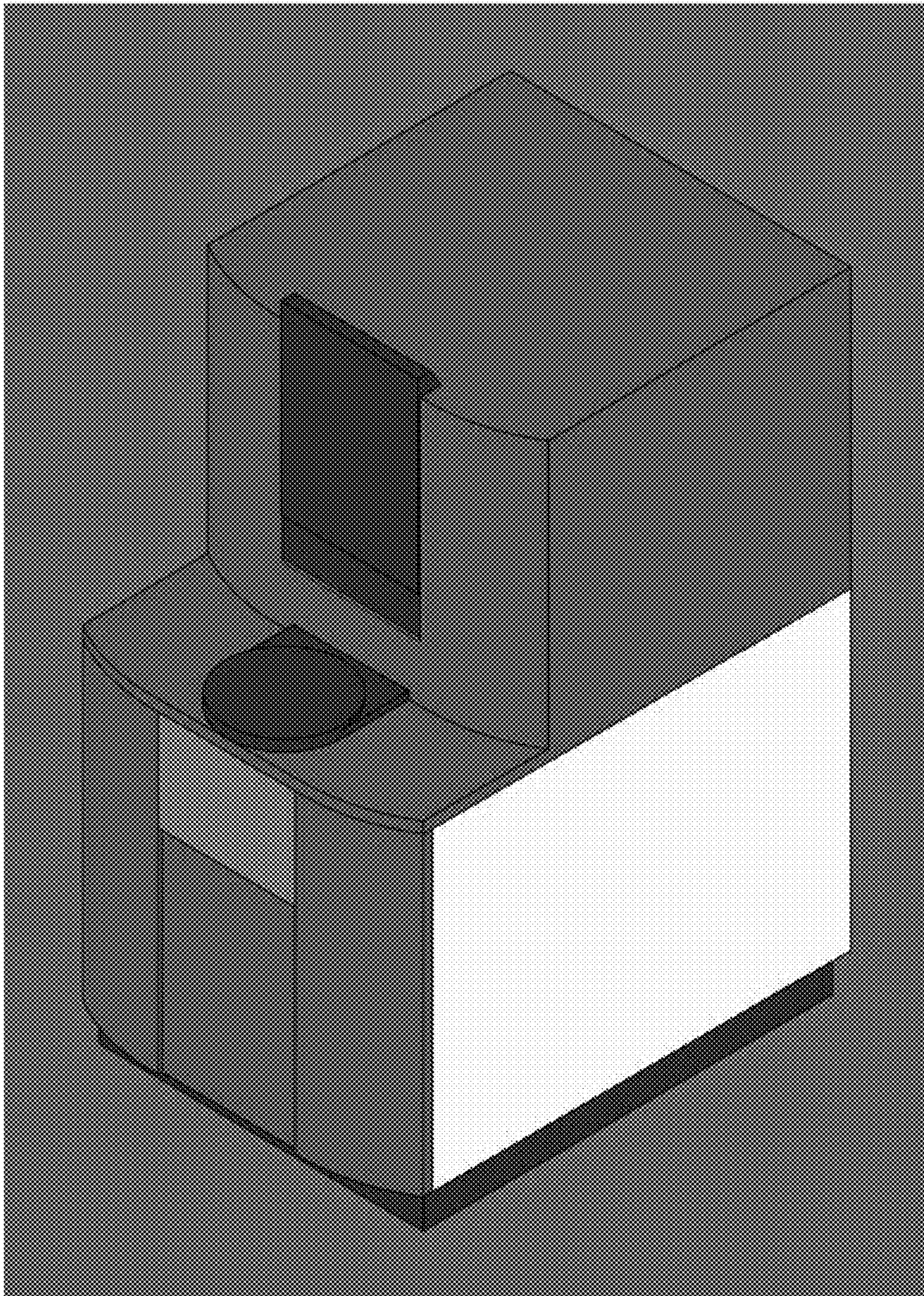


FIG. 8

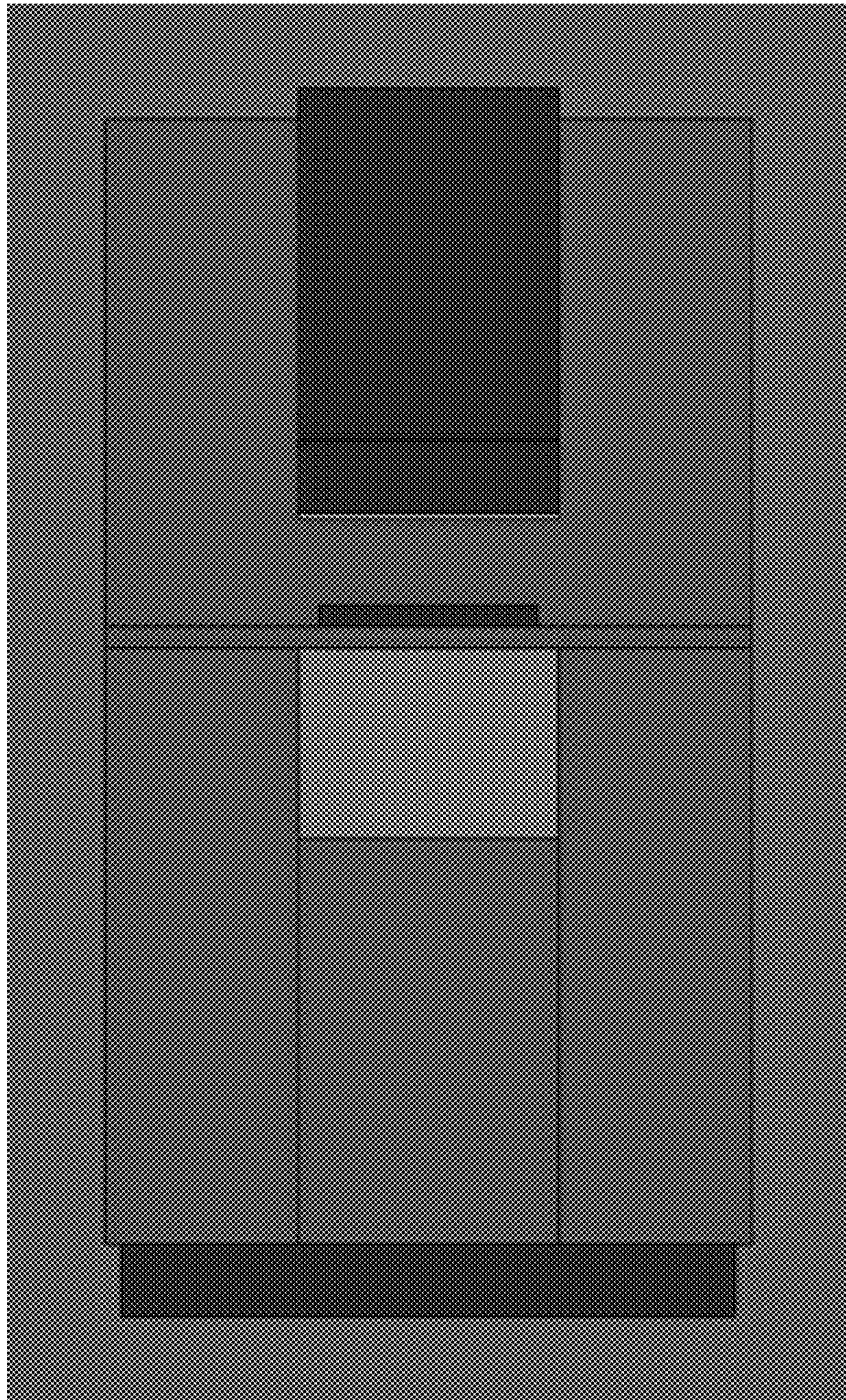


FIG. 9

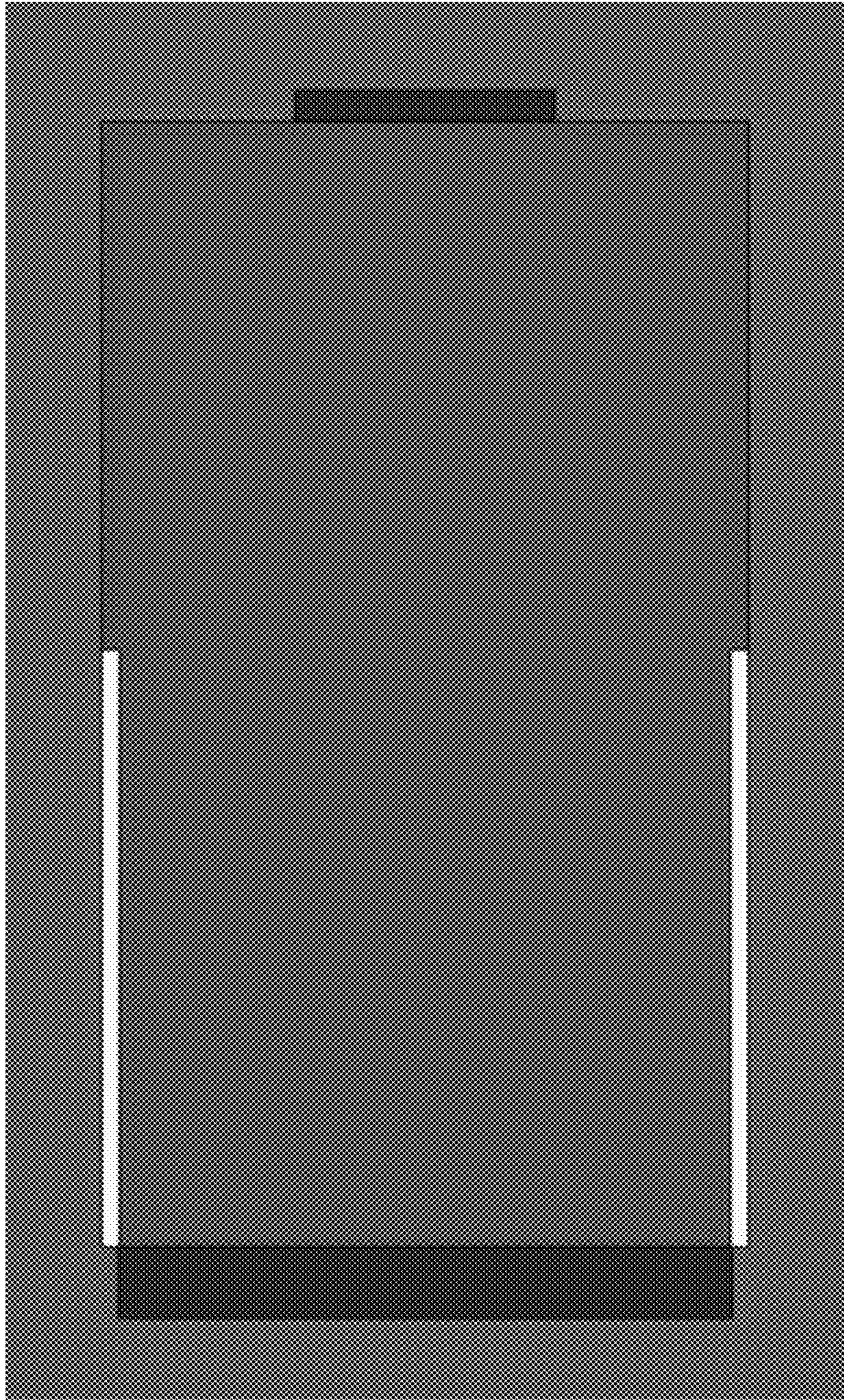


FIG. 10

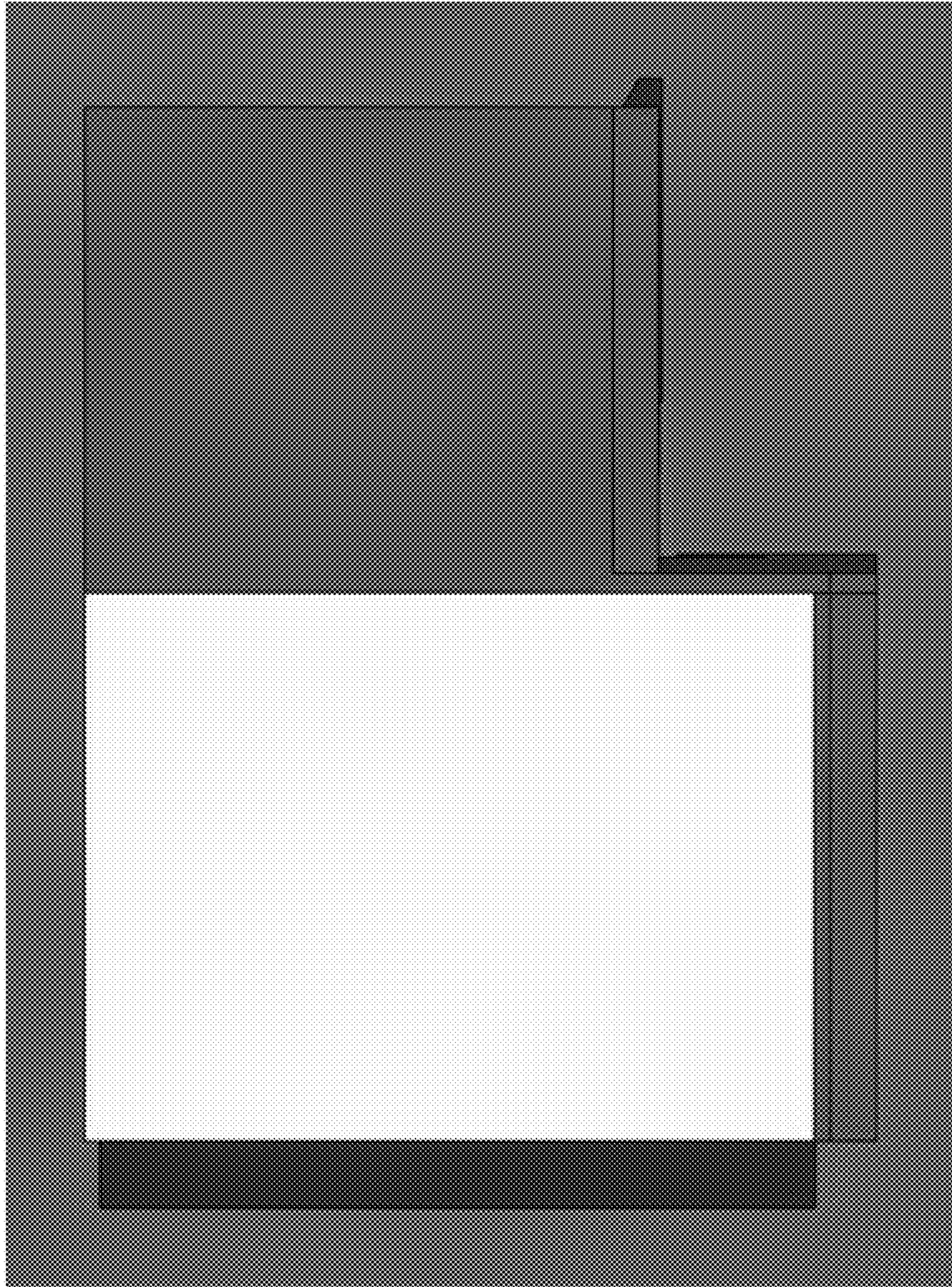


FIG. 11

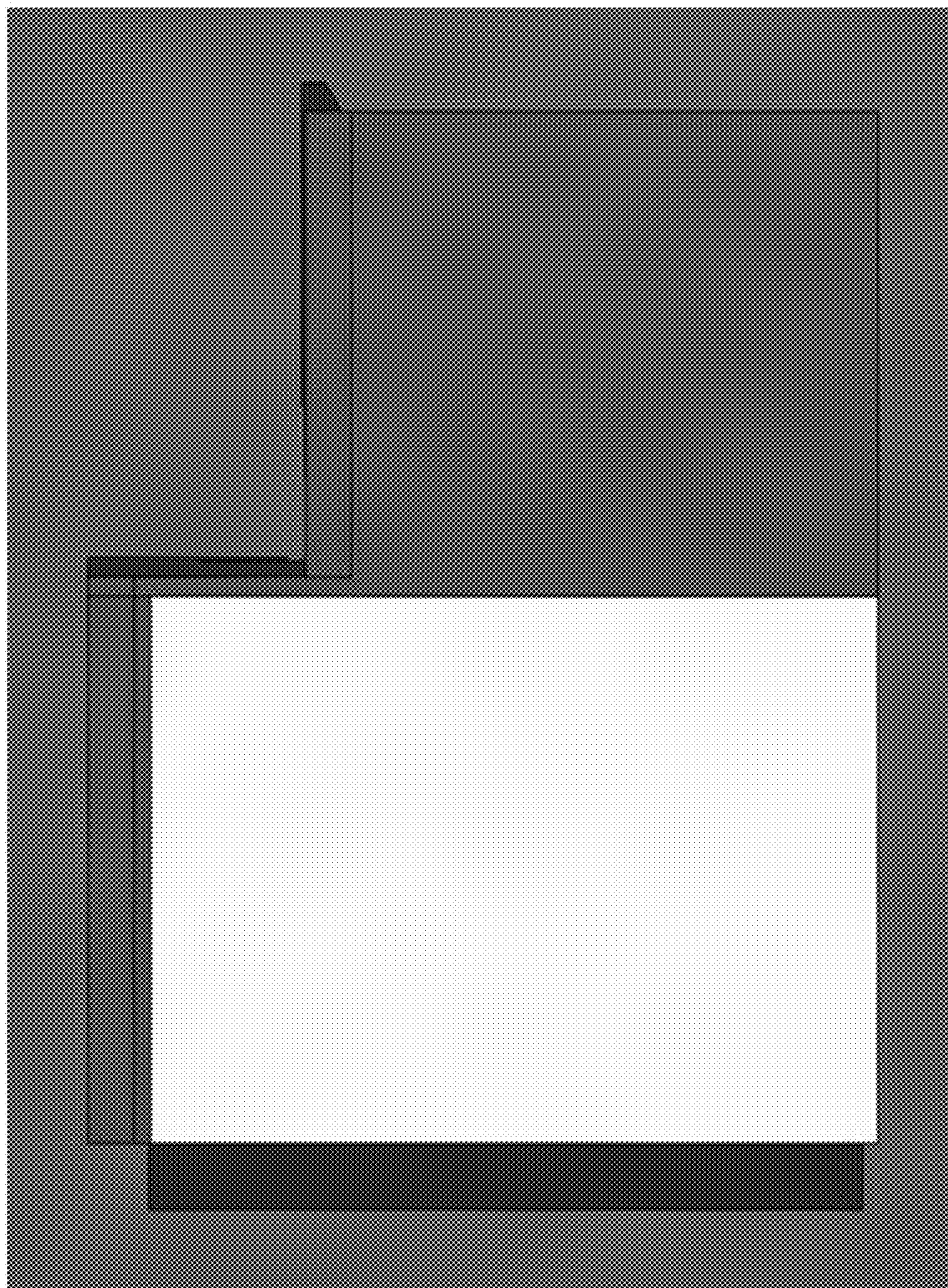


FIG. 12

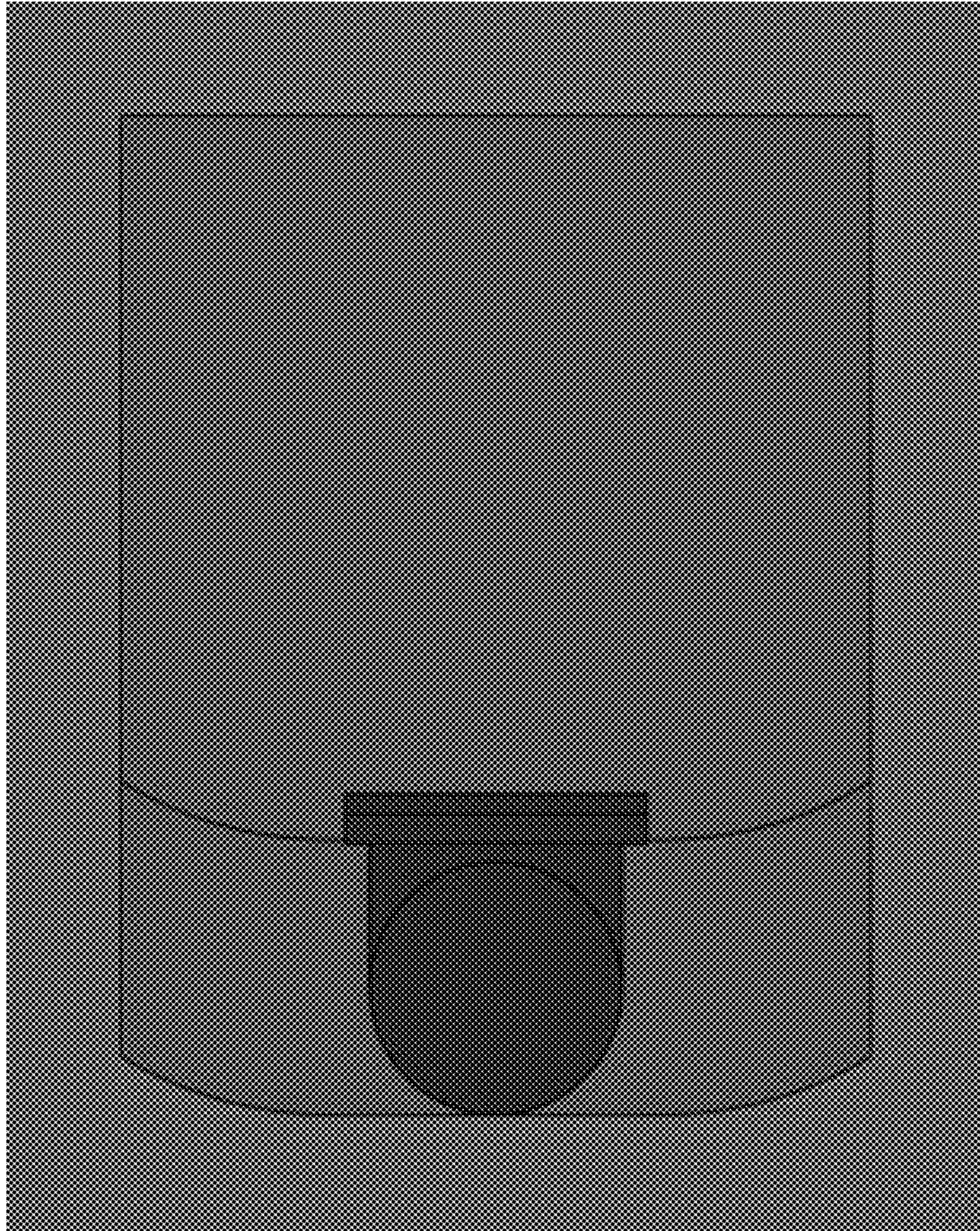


FIG. 13

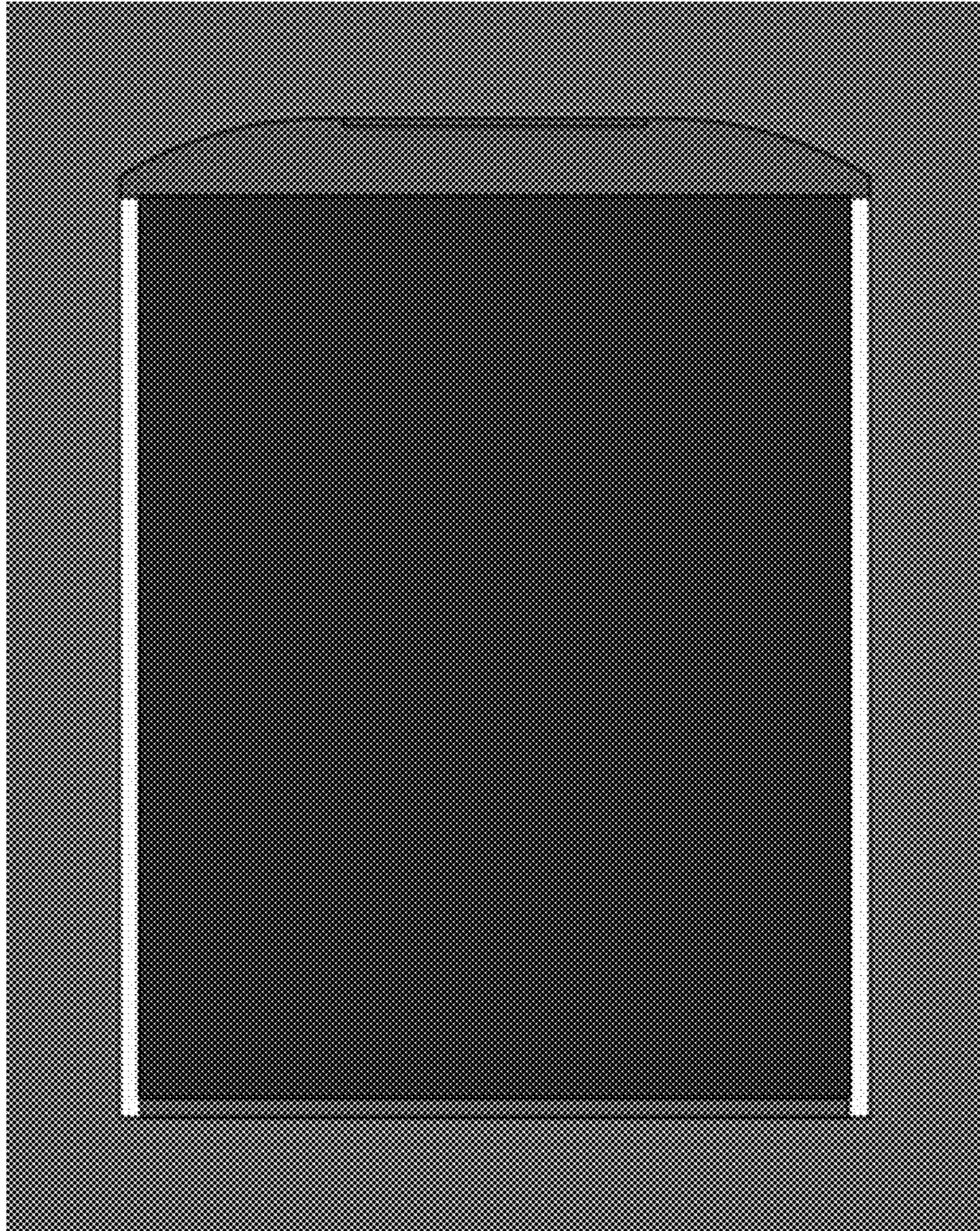


FIG. 14