



US00D937431S

(12) **United States Design Patent** (10) **Patent No.:** **US D937,431 S**
Li (45) **Date of Patent:** **** Nov. 30, 2021**

(54) **PERCUSSIVE MASSAGE TOOL**
(71) Applicant: **Bowen Li**, Yongkang (CN)
(72) Inventor: **Bowen Li**, Yongkang (CN)
(**) Term: **15 Years**
(21) Appl. No.: **29/763,920**
(22) Filed: **Dec. 26, 2020**
(51) **LOC (13) Cl.** **28-03**
(52) **U.S. Cl.**
USPC **D24/215**
(58) **Field of Classification Search**
USPC D24/215, 200, 211, 212, 213, 214, 133,
D24/188, 107, 231; D8/14.1; D28/13;
D23/266, 259, 263
CPC . A61H 1/00; A61H 1/008; A61H 9/00; A61H
9/005; A61H 9/0007; A61H 9/0021;
A61H 2015/0071; A61H 15/0078; A61H
15/0085; A61H 23/00; A61H 23/006;
A61H 2023/002; A61H 23/06; A61H
23/02; A61H 2201/0153; A61H
2201/0157; A61H 7/005; A61H 7/003
See application file for complete search history.

(56) **References Cited**
U.S. PATENT DOCUMENTS
D28,572 S * 5/1898 Rose D23/263
D262,655 S 1/1982 Sang
D263,872 S 4/1982 Rakocy et al.
D263,998 S 4/1982 Oberheim
D264,506 S 5/1982 McShirley
D265,247 S 6/1982 MacGregor
D317,414 S 6/1991 Lanci et al.
D329,093 S 9/1992 Marshall et al.
D382,646 S 8/1997 Shalvi
D383,849 S 9/1997 Wollman
D403,075 S 12/1998 Lie
D405,704 S 2/1999 Gordon et al.
D434,478 S * 11/2000 Sanders D23/266
D435,913 S 1/2001 Harris et al.
6,682,496 B1 * 1/2004 Pivaroff A61H 7/005
601/101
D493,733 S 8/2004 Chen
(Continued)

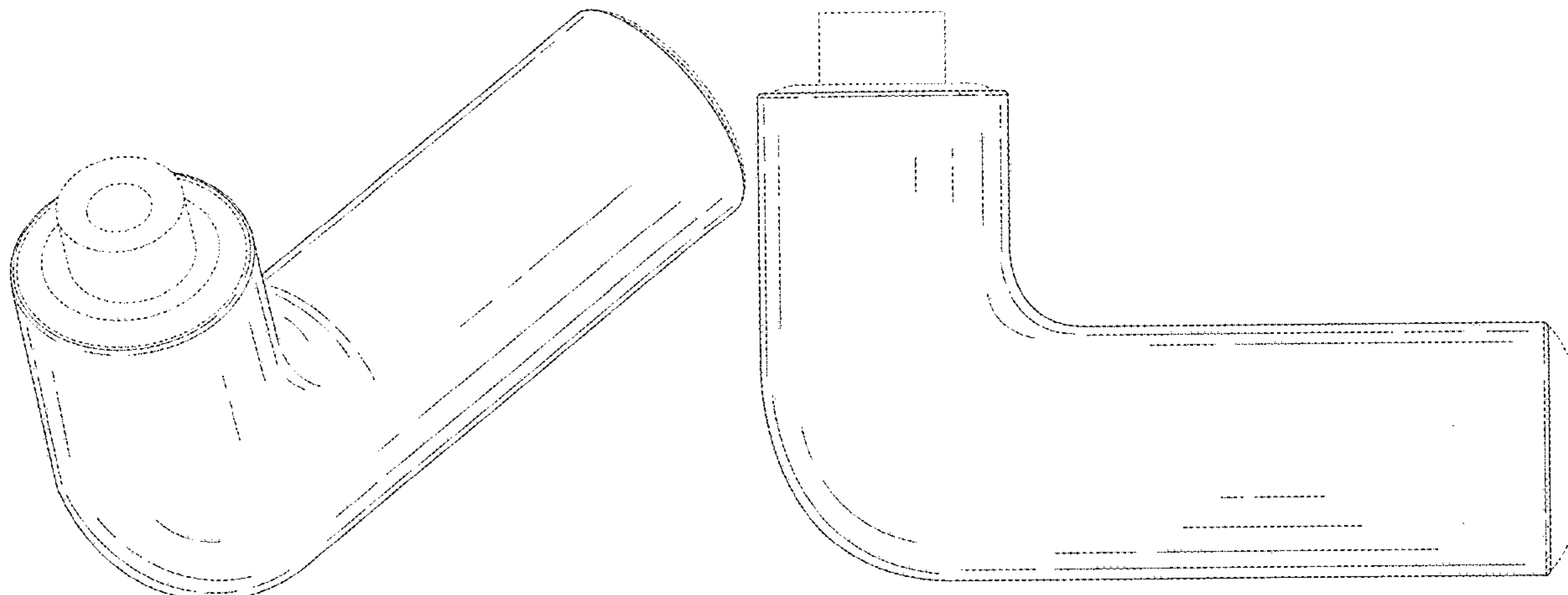
OTHER PUBLICATIONS
Mizzuco Mini Massage Gun. Date: May 18, 2020. [online]. [Site visited Jun. 3, 2021], Available from Internet URL: <https://www.amazon.ca/dp/B08MBY25DK/> (Year: 2020).*
(Continued)

Primary Examiner — Susan Bennett Hattan
Assistant Examiner — Landon Thomas Cassell
(74) *Attorney, Agent, or Firm* — Thomas W. Galvani, P.C.; Thomas W. Galvani

(57) **CLAIM**
The ornamental design for a percussive massage tool, as shown and described.

DESCRIPTION
FIG. 1 is a top front perspective view of a percussive massage tool shown in accordance with my new design; FIG. 2 is a bottom front perspective view of the percussive massage tool shown in FIG. 1; FIG. 3 is a top rear perspective view of the percussive massage tool shown in FIG. 1; FIG. 4 is a bottom rear perspective view of the percussive massage tool shown in FIG. 1; FIG. 5 is a front elevation view of the percussive massage tool shown in FIG. 1; FIG. 6 is a rear elevation view of the percussive massage tool shown in FIG. 1; FIG. 7 is a right side elevation view of the percussive massage tool shown in FIG. 1; FIG. 8 is a left side elevation view of the percussive massage tool shown in FIG. 1; FIG. 9 is a top plan view of the percussive massage tool shown in FIG. 1; and, FIG. 10 is a bottom plan view of the percussive massage tool shown in FIG. 1.
The features shown in broken lines are for the purposes of showing portions of the article which form no part of the claimed design.

1 Claim, 10 Drawing Sheets



(56)

References Cited

U.S. PATENT DOCUMENTS

D583,263 S 12/2008 Sebban
 D606,247 S * 12/2009 Yu D28/13
 D609,817 S * 2/2010 Piller D24/215
 D628,304 S 11/2010 Aulwes et al.
 D629,118 S 12/2010 Yeo
 D666,928 S 9/2012 Elrod
 D756,489 S * 5/2016 Bahler D23/257
 D783,786 S * 4/2017 Madireddi D23/266
 D837,395 S 1/2019 Gan
 D843,656 S * 3/2019 Zhang D28/44.1
 D847,360 S 4/2019 Levi
 D862,721 S 10/2019 Friend
 D874,015 S 1/2020 Marton et al.
 D886,317 S 6/2020 Marton et al.
 D895,829 S 9/2020 Hu
 D897,109 S 9/2020 Blank
 D897,110 S 9/2020 Blank
 D898,209 S * 10/2020 Xu D24/214
 D899,615 S 10/2020 Lin
 D905,208 S * 12/2020 Loveridge D23/266
 2020/0085168 A1 * 3/2020 Pang F16M 13/04
 2020/0390644 A1 * 12/2020 Yang G16H 20/30
 2020/0390646 A1 * 12/2020 Joh A61N 7/00

OTHER PUBLICATIONS

Percussion Massage Gun. Date: Sep. 9, 2020. [online]. [Site visited Jun. 3, 2021], Available from Internet URL: <https://www.amazon.ca/dp/B08C2N55V6?th=1> (Year: 2020).*

Message Tools. (Design—© Questel) orbit.com. [Online PDF compilation of references selected by examiner] 38 pgs. Print Dates Range May 5, 2020-Nov. 17, 2020 [Retrieved Jun. 7, 2021] <https://www.orbit.com/export/UCZAH96B/pdf4/09e588d1-c1fb-4553-8502-40ac005988a5-160624.pdf> (Year: 2021).*

Amazon.com—ABASK Massage Gun (https://www.amazon.com/ABASK-Massage-Percussion-Massager-Settings/dp/B083TVJ58F/ref=asc_df_B083TVJ58F/?tag=hyprod-20&linkCode=df0&hvadid=459565948985&hvpos=&hvnetw=g&hvrnd=17551793660638056955&hvppone=&hvptwo=&hvqmt=&hvdev=c&hvdvcmdl=&hvlocint=&hvlocphy=9007754&hvtargid=pla-972632389124&pvc=1).

Arriste.com—Medik Percussive Massager (<https://www.arriste.com/products/medik-percussion-massage-device>).

Chirocity.com—Erchonia Percussor Basic Package (<https://chirocity.com/activator-instruments/erchonia-adjusting-instruments/erchonia-percussor-basic-package/>).

Exogun.com—ExoGun DreamPro (https://exogun.com/products/dreampro?variant=24131349020753¤cy=USD&utm_source=google&utm_medium=surfaces&utm_campaign=feed_clicks&utm_content=surfaces_across_google&gclid=EAlalQobChMlzovhjabT7QIVgaGGCh1liApeEAkYBCABEgJX-fD_BwE).

Geekyviews.com—Deep Tissue Percussion Electric Muscle Massage Gun (<https://www.geekyviews.com/product/electric-muscle-massage-gun-deep-tissue-massager-therapy-gun-exercising-muscle-pain-muscle-percussor-with-bag-6-speed-6-heads/>).

* cited by examiner

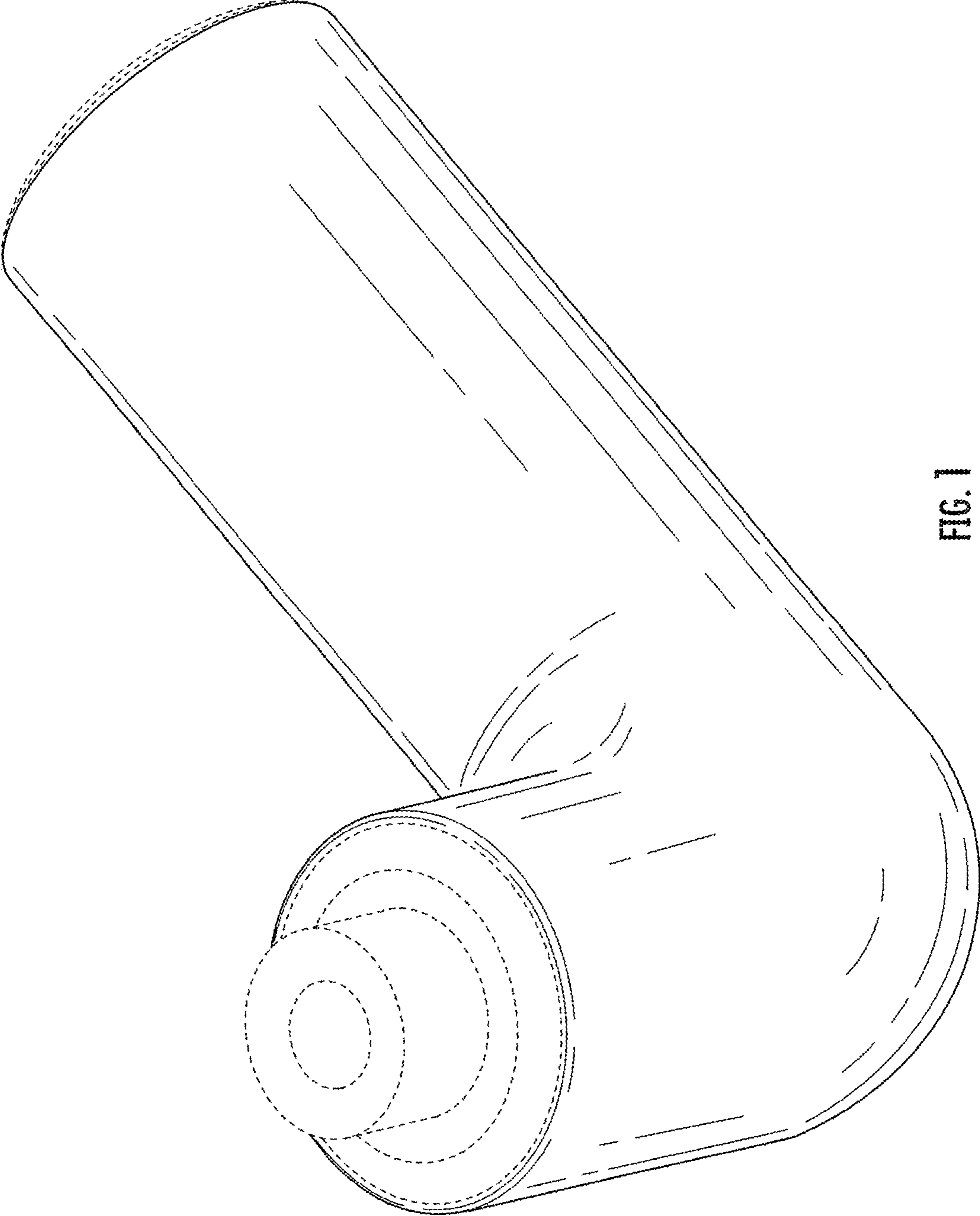


FIG. 1

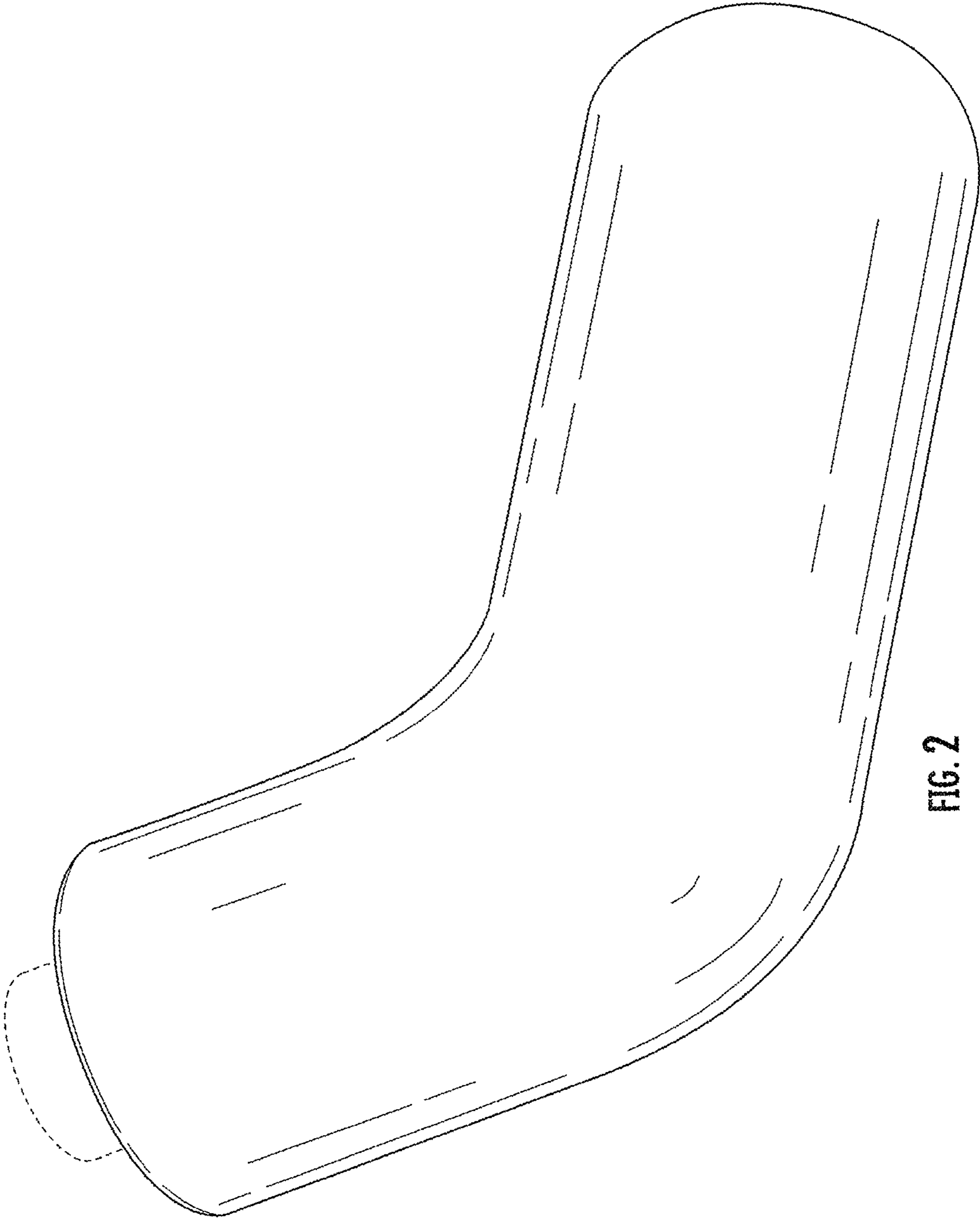


FIG. 2

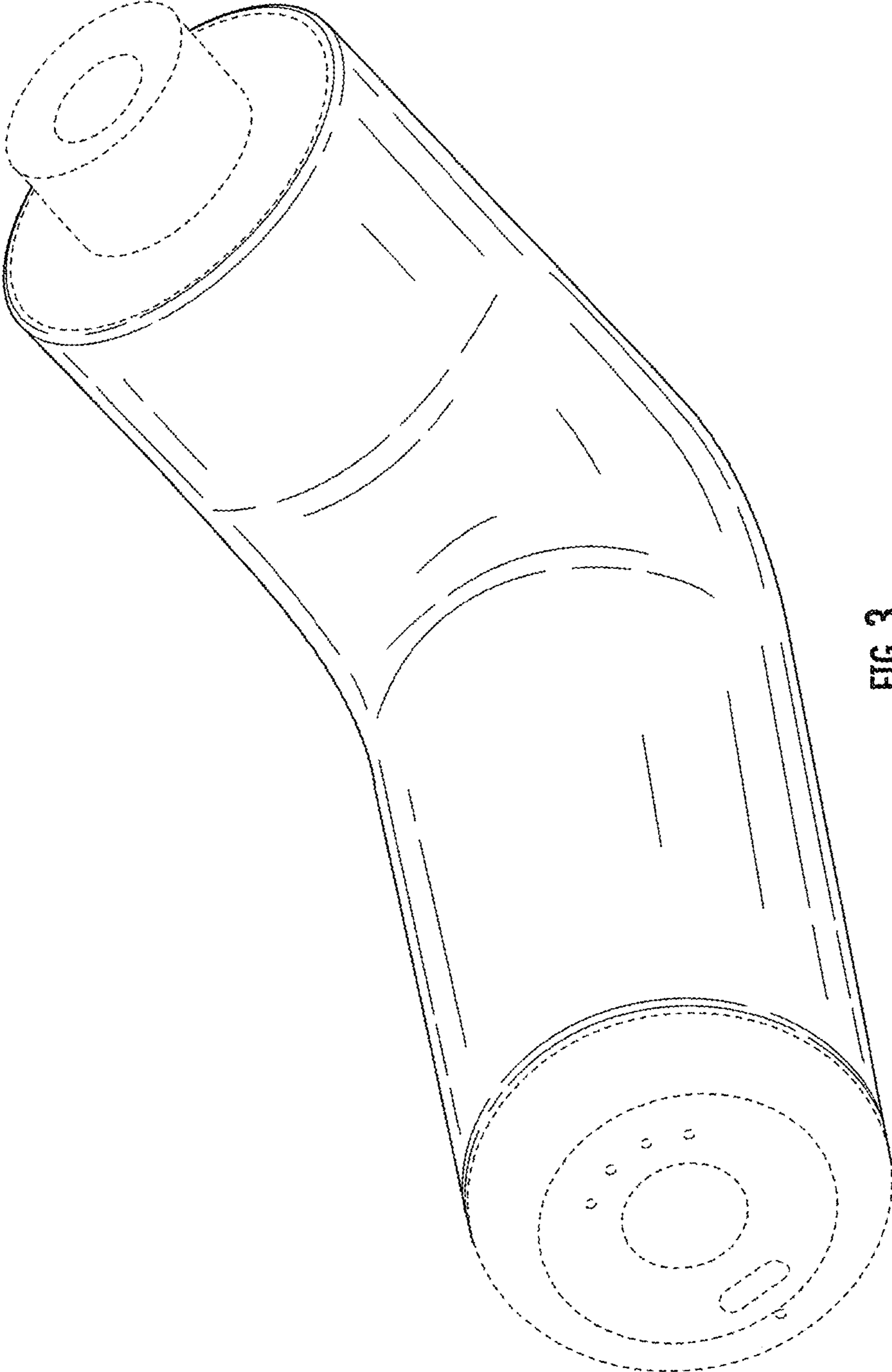


FIG. 3

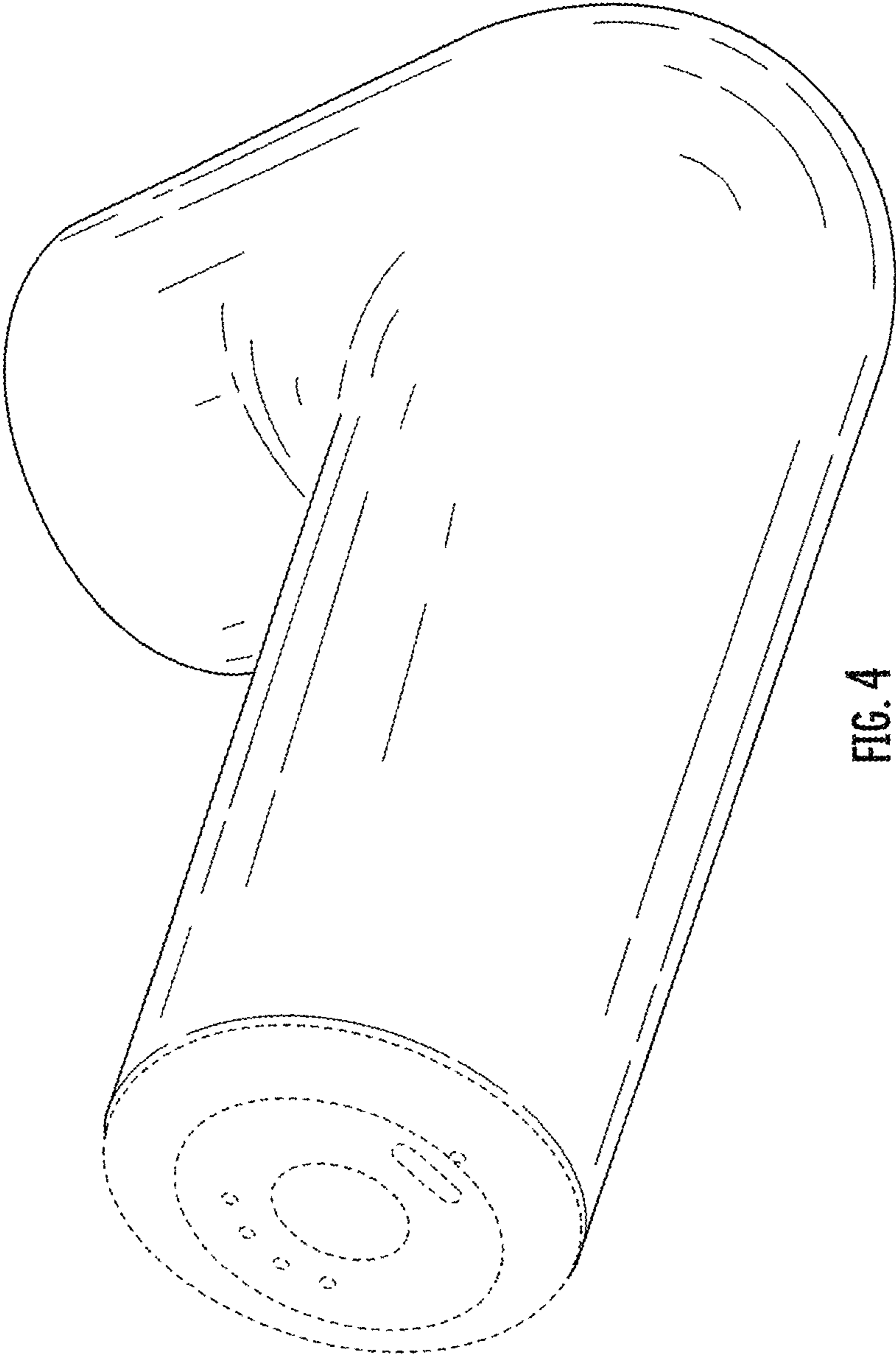


FIG. 4

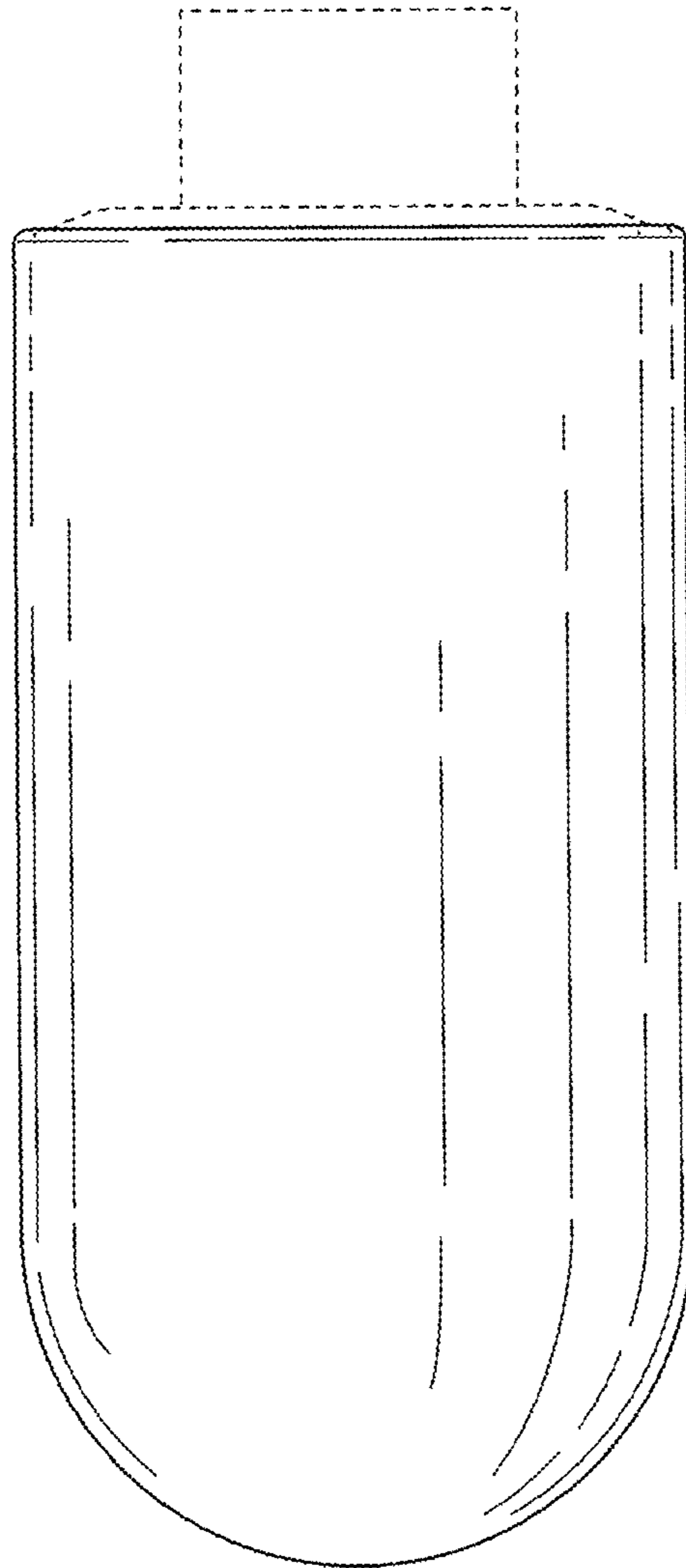


FIG. 5

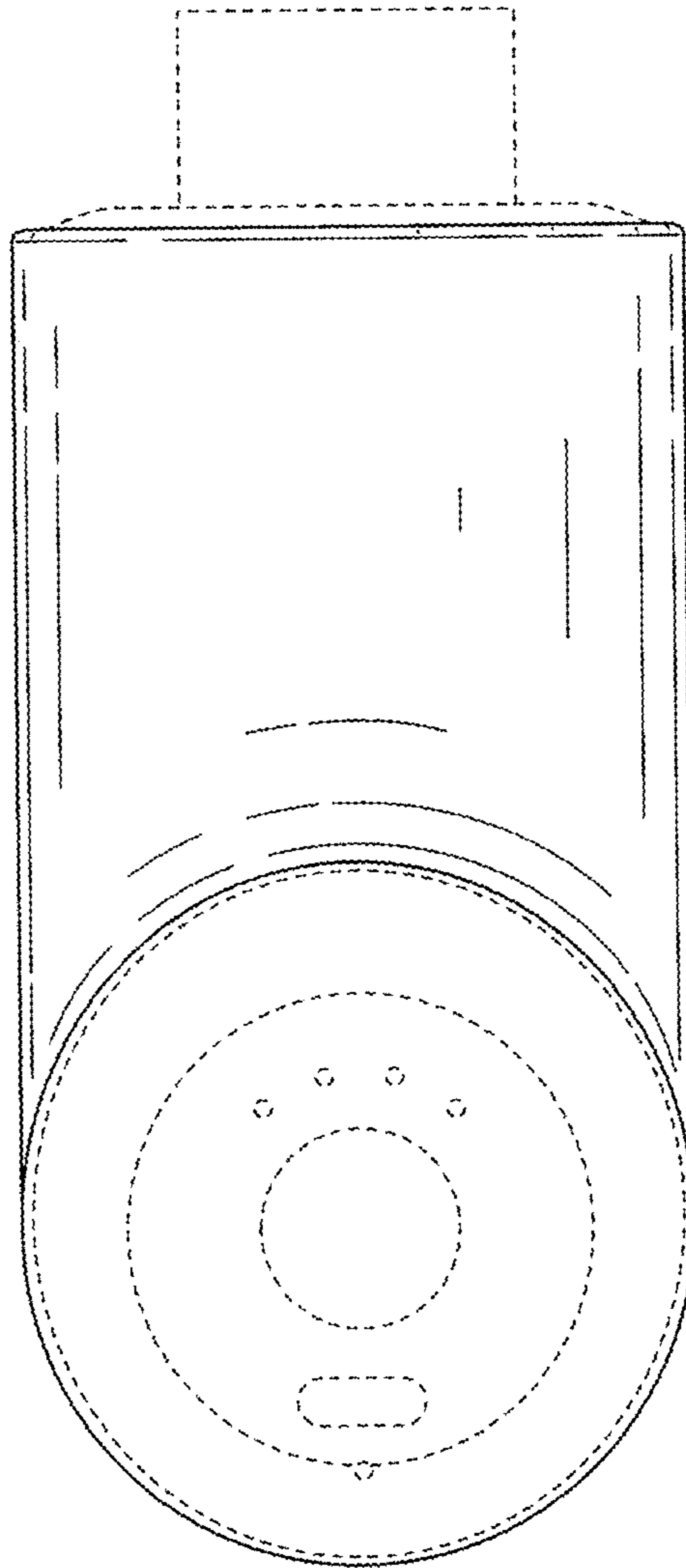


FIG. 6

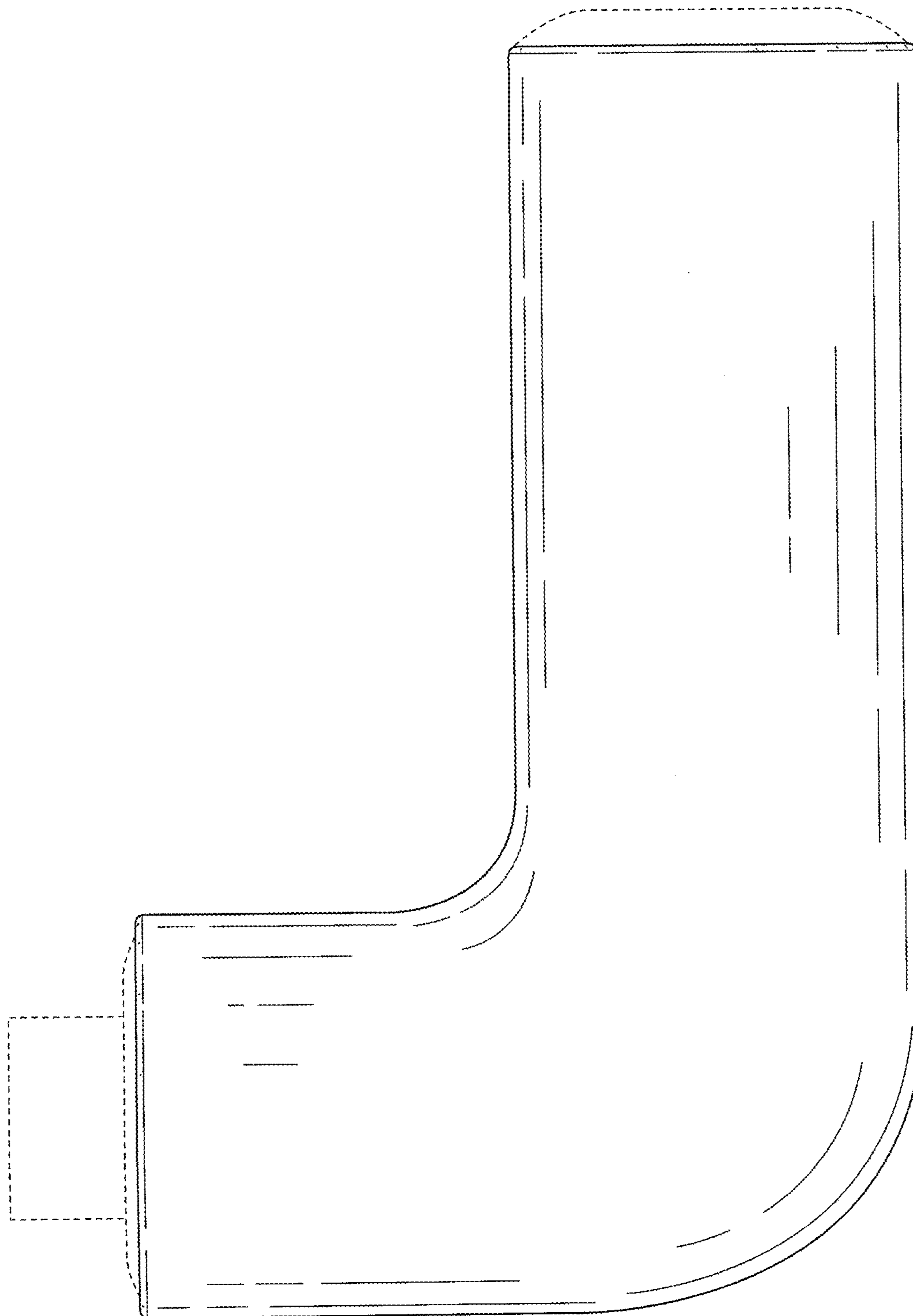


FIG. 7

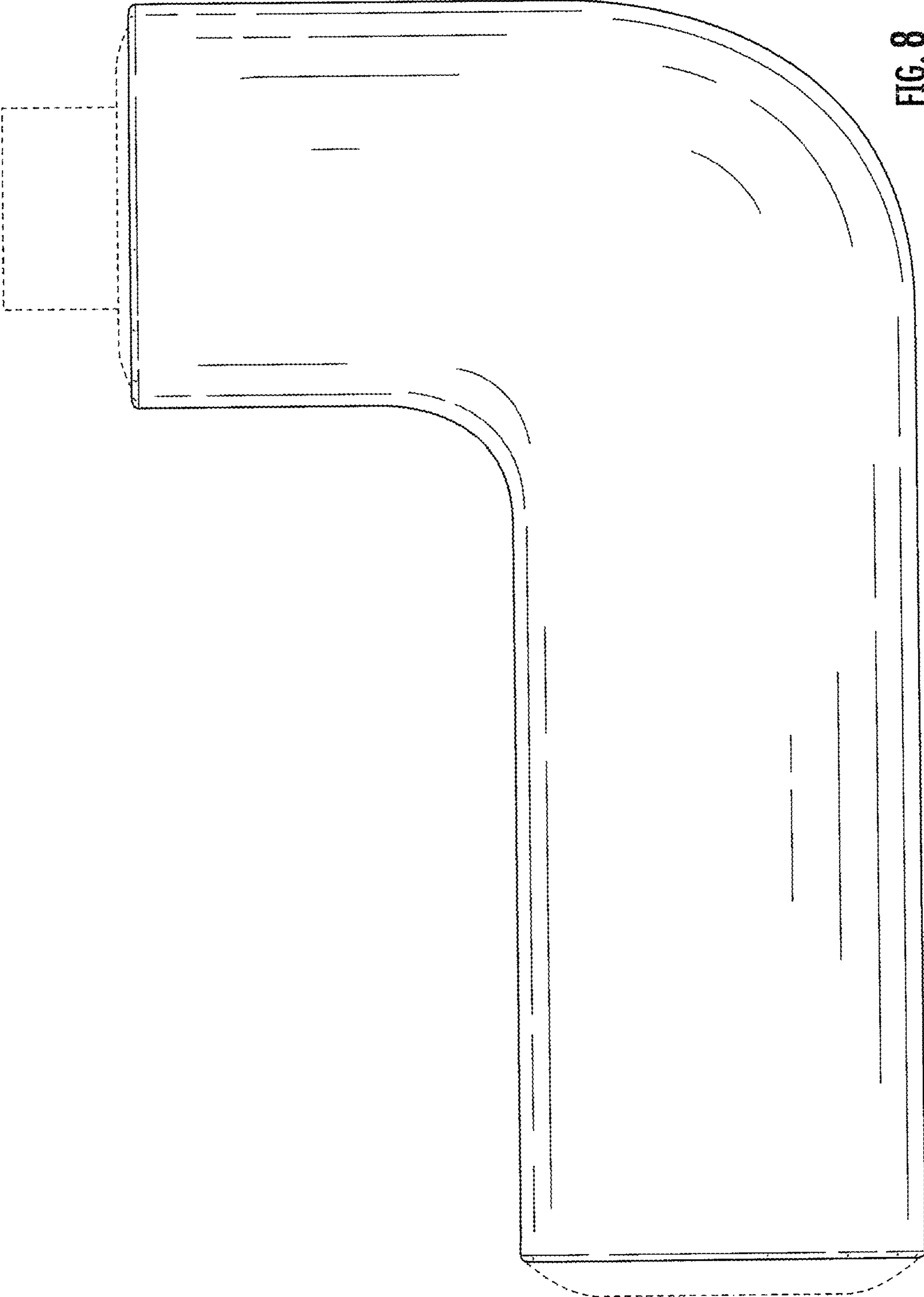


FIG. 8

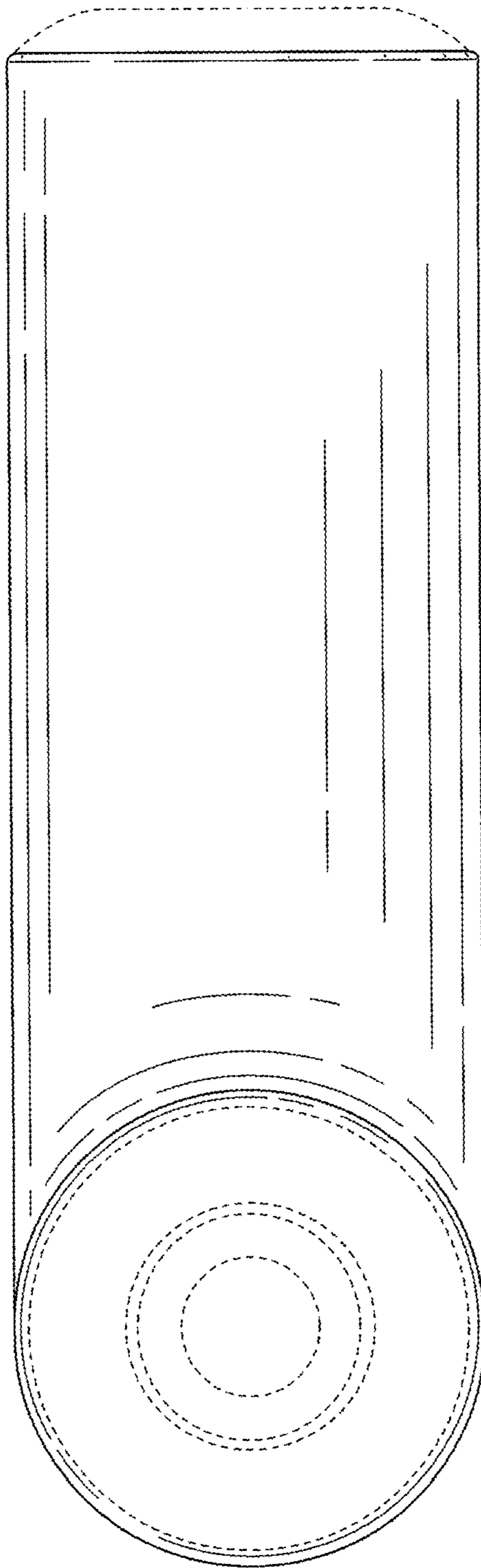


FIG. 9

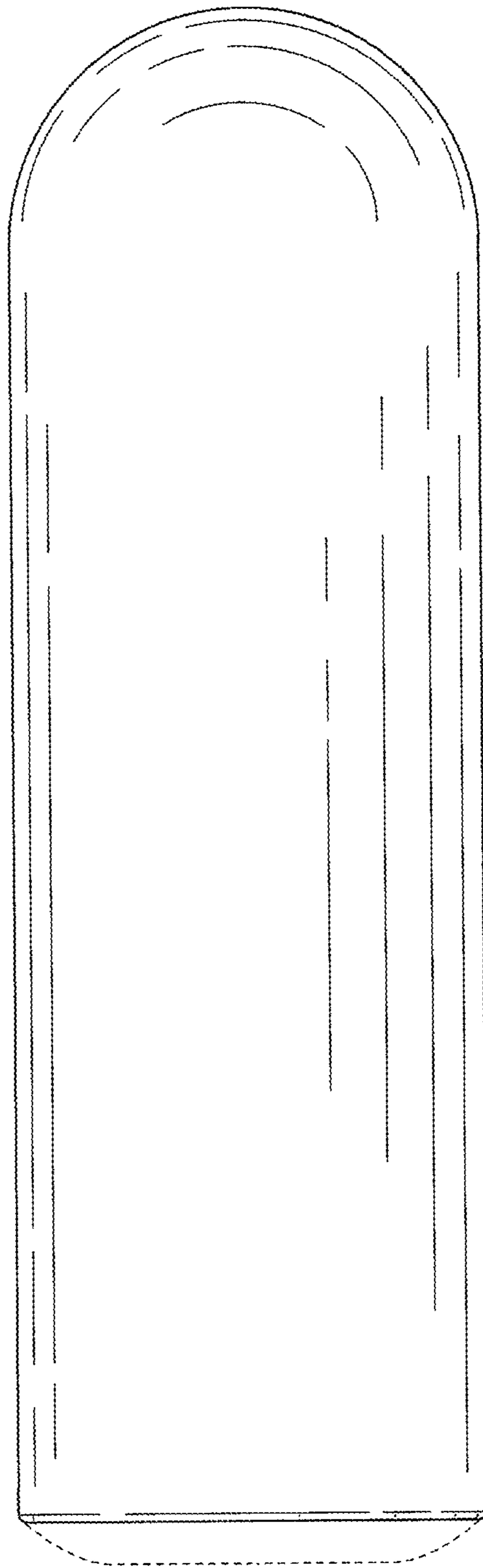


FIG. 10