



US00D937430S

(12) **United States Design Patent** (10) **Patent No.:** **US D937,430 S**
Ou (45) **Date of Patent:** **** Nov. 30, 2021**

(54) **ASSEMBLY OF A PHOTODYNAMIC THERAPY APPLICATOR FOR LIPS**

2018/0185235 A1 7/2018 Nelson et al.
2018/0360692 A1 12/2018 Sieffert et al.
2019/0029917 A1 1/2019 George et al.

(71) Applicant: **Shenzen Oren Medical Health Technology LTD**, Shenzhen (CN)

OTHER PUBLICATIONS

(72) Inventor: **Baihui Ou**, Shenzhen (CN)

Amazon.com: Revive Light Therapy Lip Care—Light Therapy For Youthful and Sexy Lips: Beauty. Customer reviewed on Aug. 29, 2018. Retrieved from website at: [https://www.amazon.com/dp/B078NTVLKD?linkCode=ogi&tag=goodhousekeeping_auto-append-20&ascsubtag=\[artid|10055.g.35970345\[src|ch|lt\].*](https://www.amazon.com/dp/B078NTVLKD?linkCode=ogi&tag=goodhousekeeping_auto-append-20&ascsubtag=[artid|10055.g.35970345[src|ch|lt].*)

(**) Term: **15 Years**

* cited by examiner

(21) Appl. No.: **29/737,058**

(22) Filed: **Jun. 4, 2020**

(51) **LOC (13) Cl.** **28-03**

Primary Examiner — Anhdao Doan

(52) **U.S. Cl.**
USPC **D24/209**

(74) *Attorney, Agent, or Firm* — Emanus, LLC; Willie Jacques

(58) **Field of Classification Search**
USPC D24/186, 200, 209, 210, 214, 133, 152, D24/176; D29/108; D13/144; D3/270, D3/274, 302

(57) **CLAIM**

CPC .. A61N 5/0603; A61N 5/0624; A61N 5/0601; A61N 2005/0606; A61N 2005/0662; A61N 2005/0663; A61C 19/06; A61C 19/063; A61M 16/049; A61M 16/0495

The ornamental design for an assembly of a photodynamic therapy applicator for lips, as shown and described.

See application file for complete search history.

DESCRIPTION

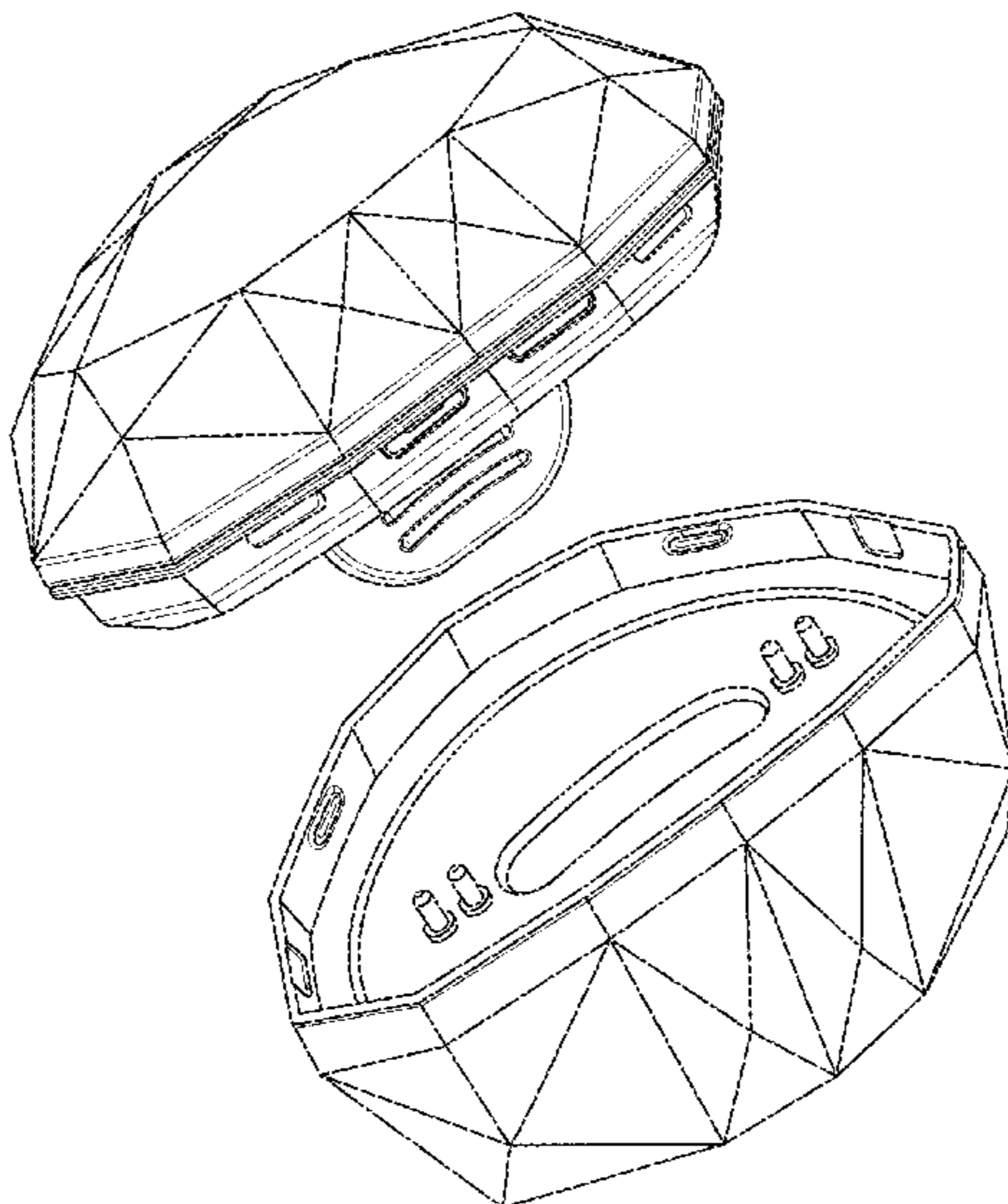
(56) **References Cited**

U.S. PATENT DOCUMENTS

7,090,649	B2	8/2006	Kang	
D655,012	S	2/2012	Nanda	
D665,935	S *	8/2012	Guinon	D26/37
8,940,033	B2 *	1/2015	Dwyer	A61C 19/066 607/88
D727,570	S *	4/2015	Brett	D29/108
D836,204	S	12/2018	Montgomery	
D881,400	S	4/2020	Abdul	
D887,017	S *	6/2020	Liu	D24/200
D909,594	S *	2/2021	Kothari	D24/209
D916,305	S *	4/2021	Kim	D24/209
D922,587	S *	6/2021	Jung	D24/176
2012/0088204	A1 *	4/2012	Ho	A61N 5/0624 433/29
2016/0271415	A1 *	9/2016	Min	A61C 19/066

FIG. 1 is a perspective view of an assembly of a photodynamic therapy applicator for lips therefor;
FIG. 2 is an exploded front elevation view of the assembly of the FIG. 1, wherein the PDT applicator has been disassembled from the charging module;
FIG. 3 is an exploded front perspective view of the assembly of FIG. 1;
FIG. 4 is an exploded rear perspective view of the assembly of FIG. 1;
FIG. 5 is a front elevation view of the assembly of FIG. 1;
FIG. 6 is a rear elevation view of the assembly of FIG. 1;
FIG. 7 is a left elevation view of the assembly of FIG. 1;
FIG. 8 is a right elevation view of the assembly of FIG. 1;
FIG. 9 is a top plan view of the assembly of FIG. 1; and
FIG. 10 is a bottom plan view of the assembly of FIG. 1.

1 Claim, 7 Drawing Sheets



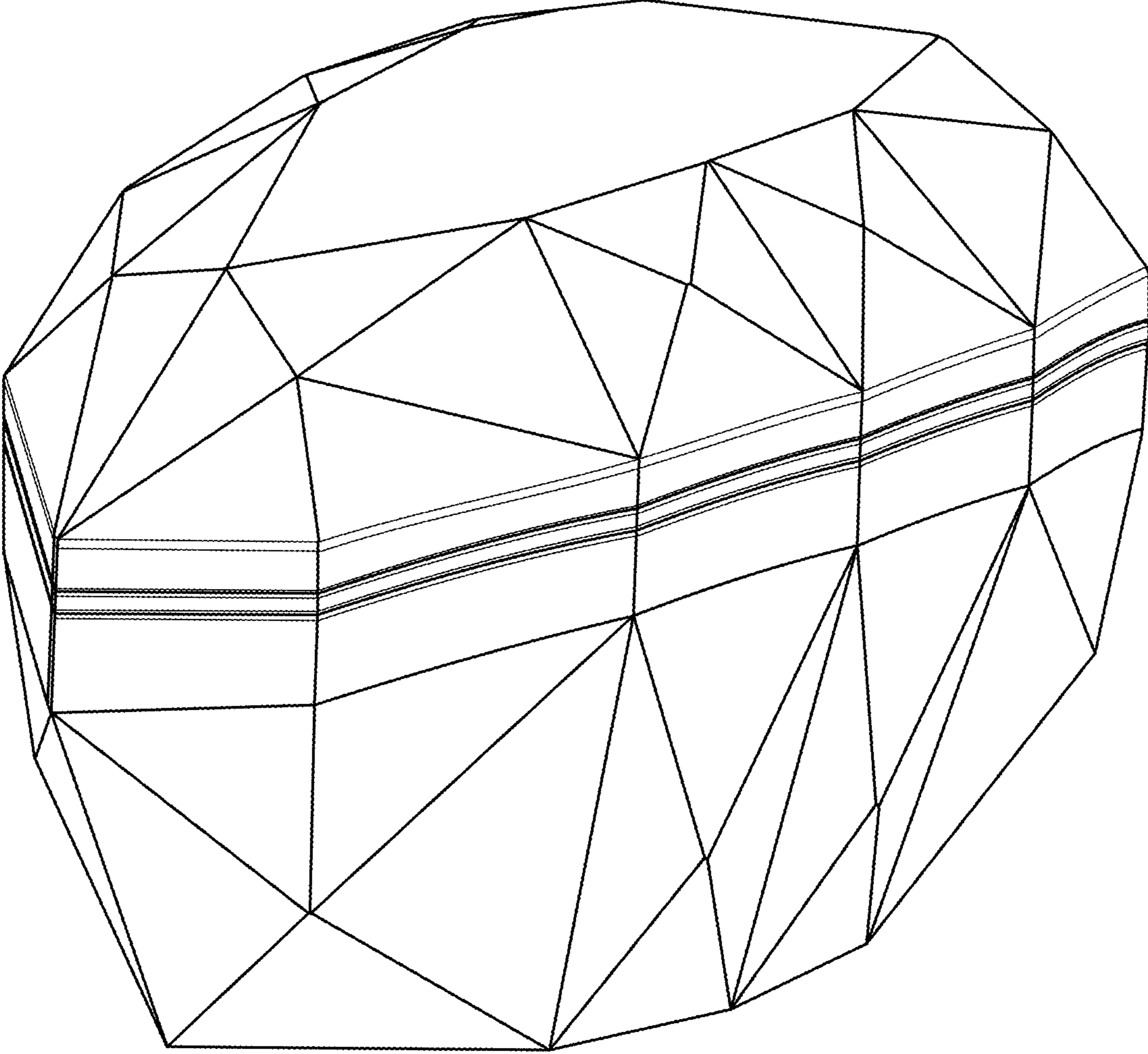


FIG.1

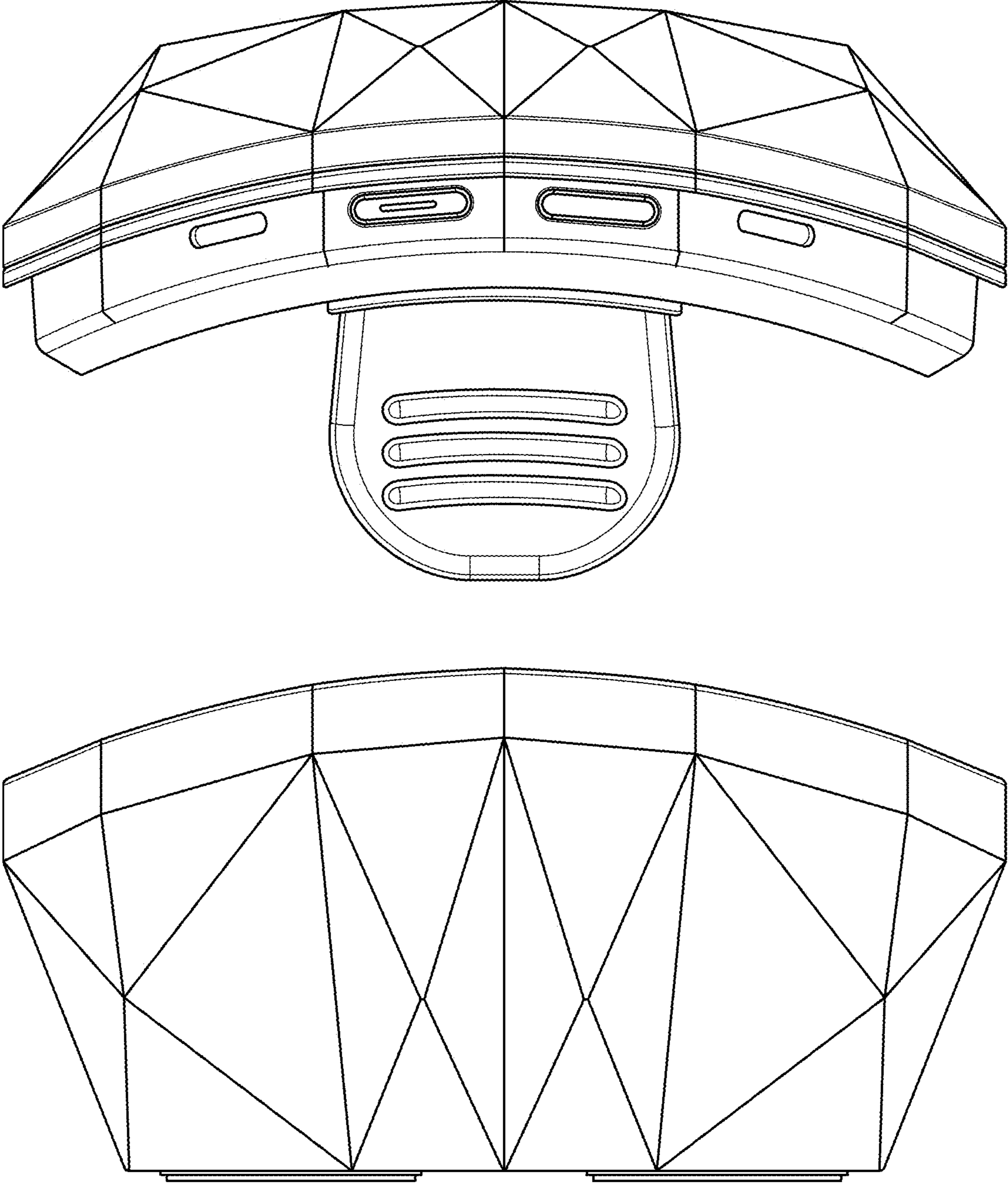


FIG.2

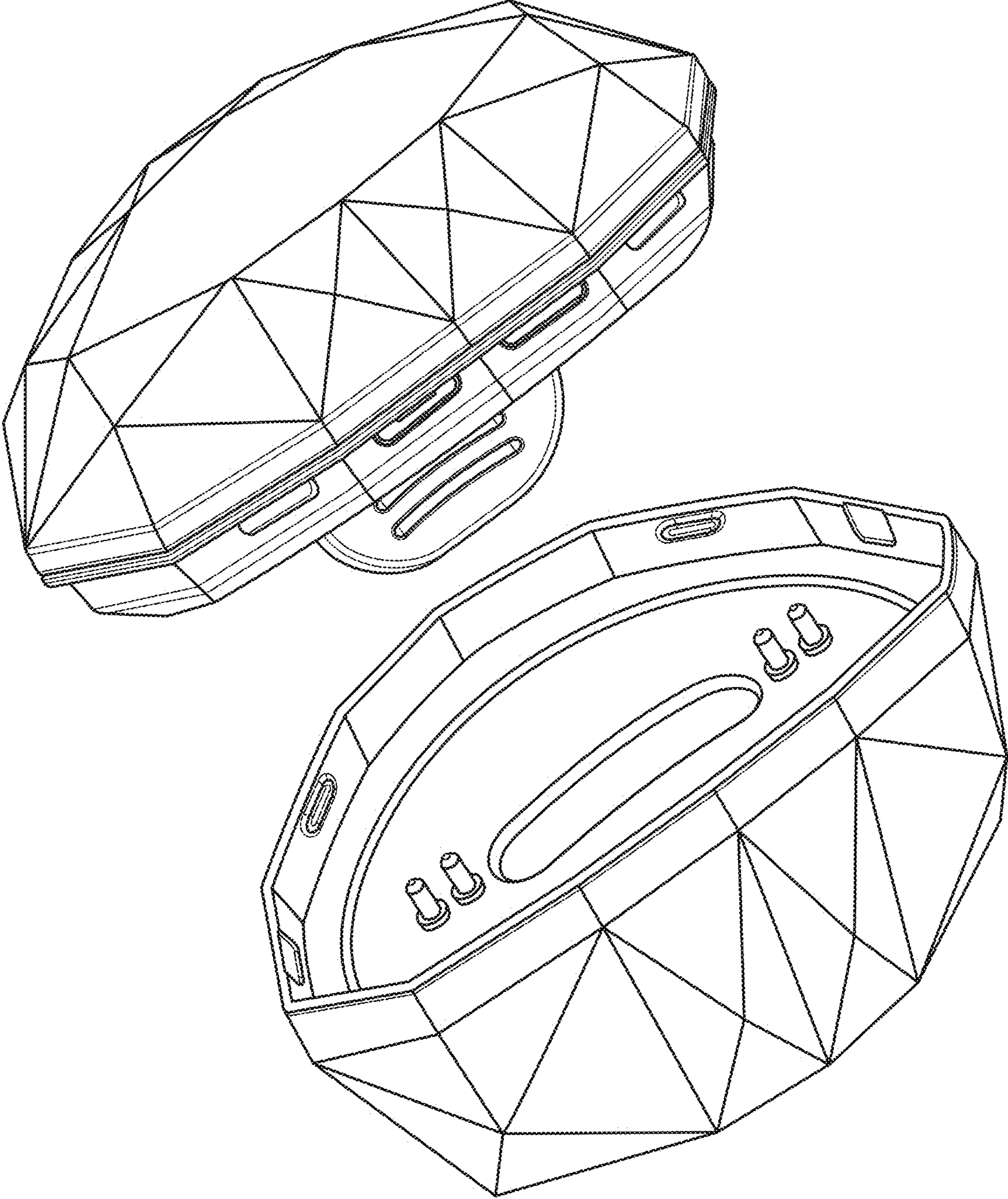


FIG.3

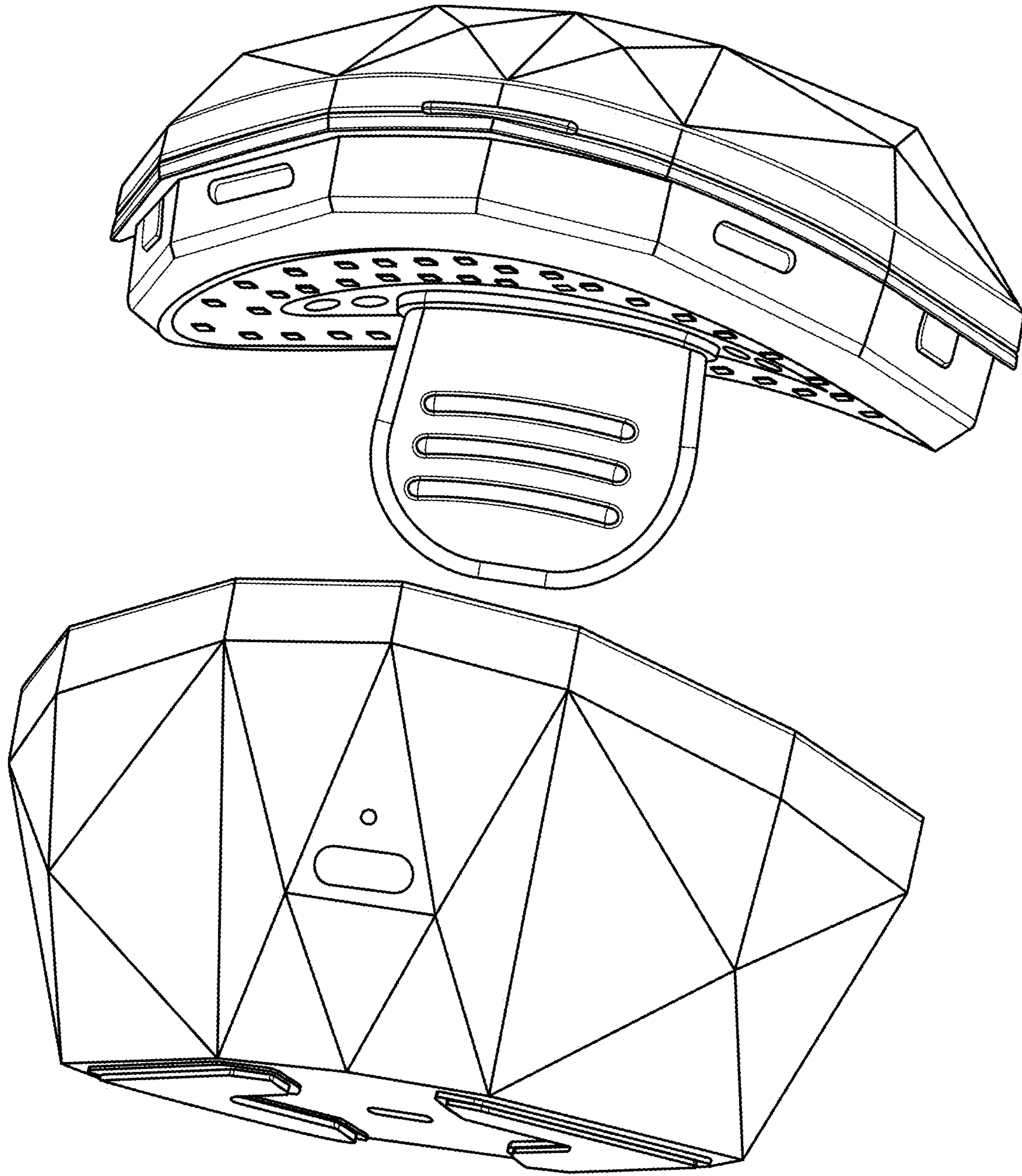


FIG.4

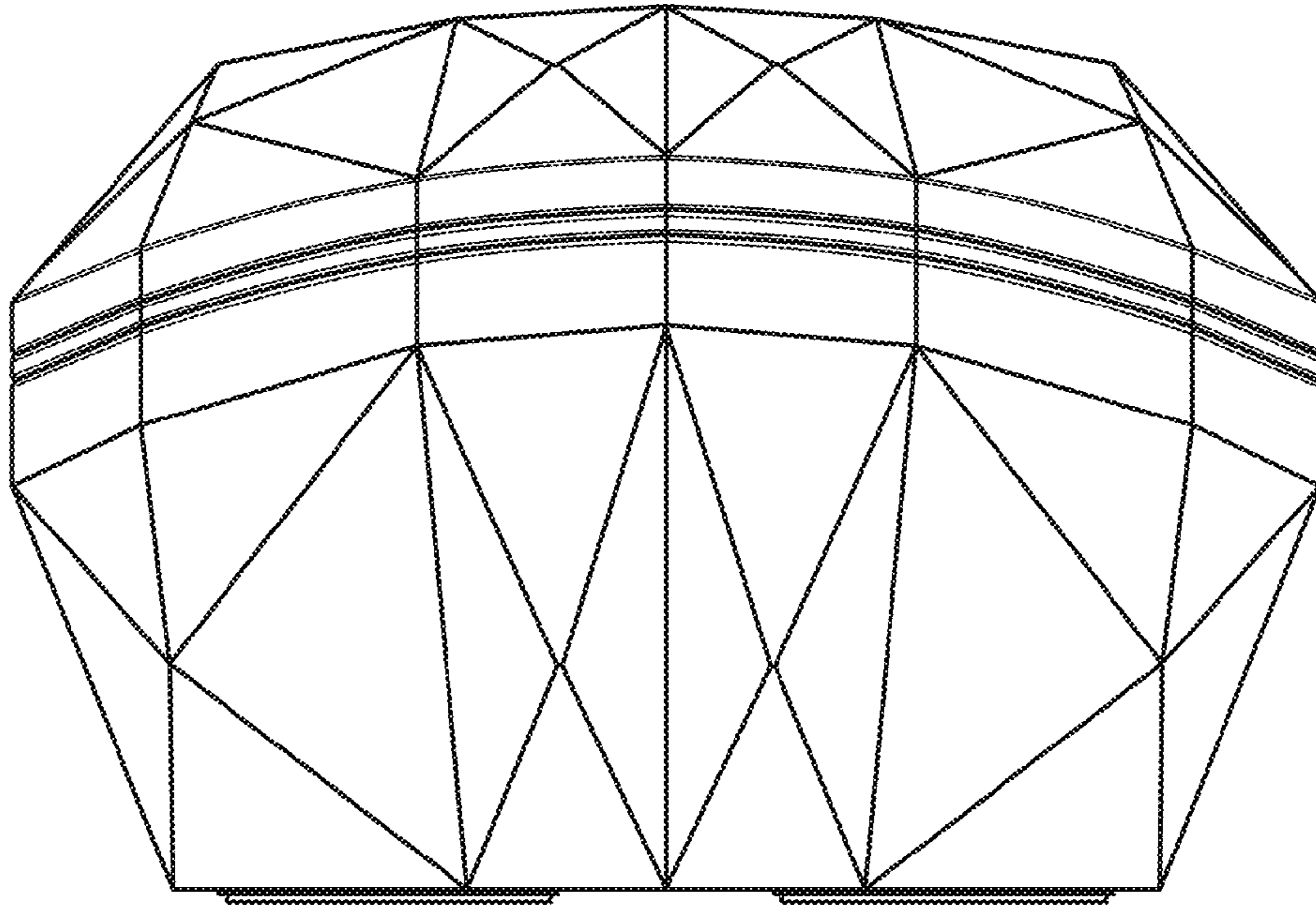


FIG.5

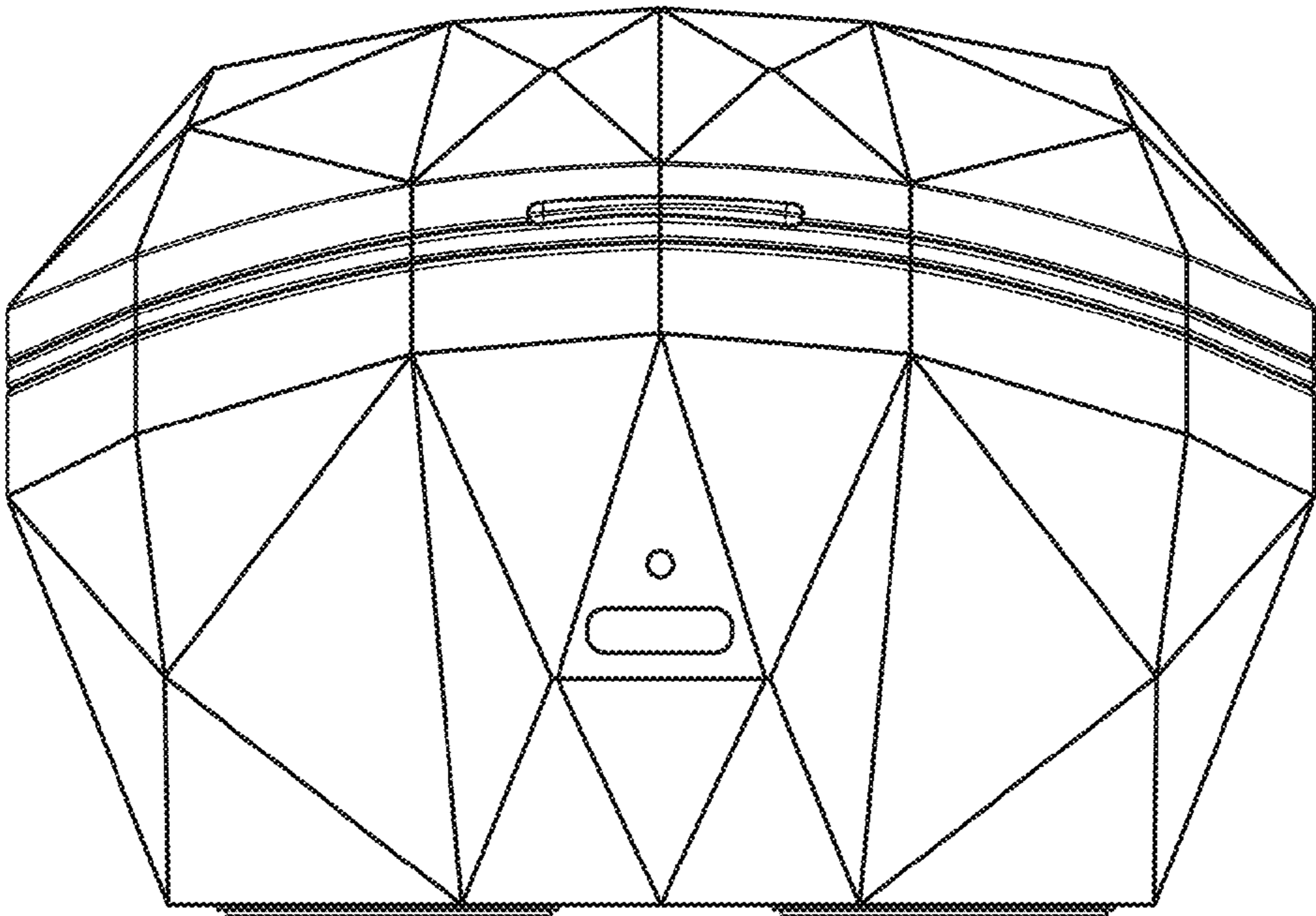


FIG.6

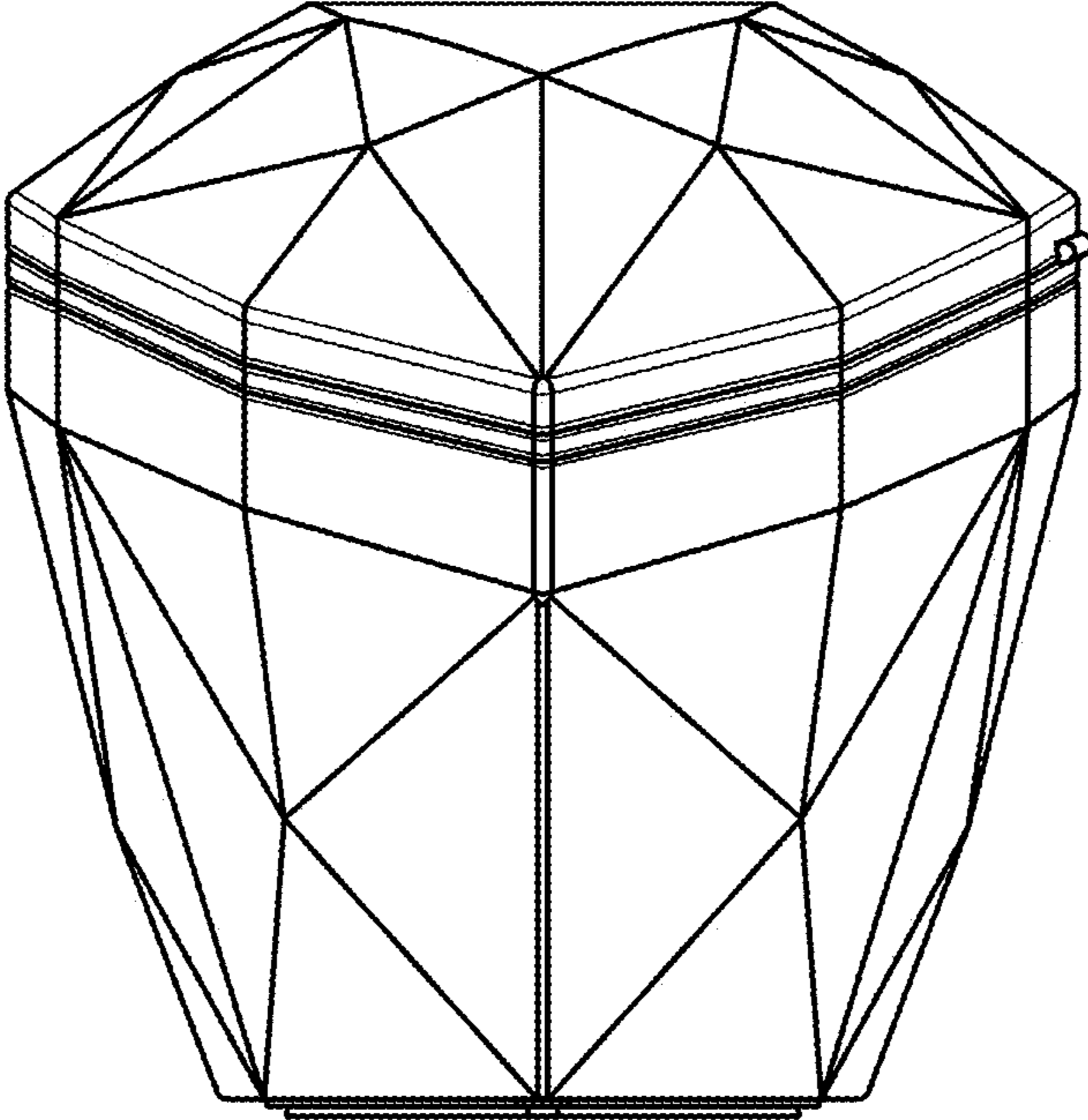


FIG.7

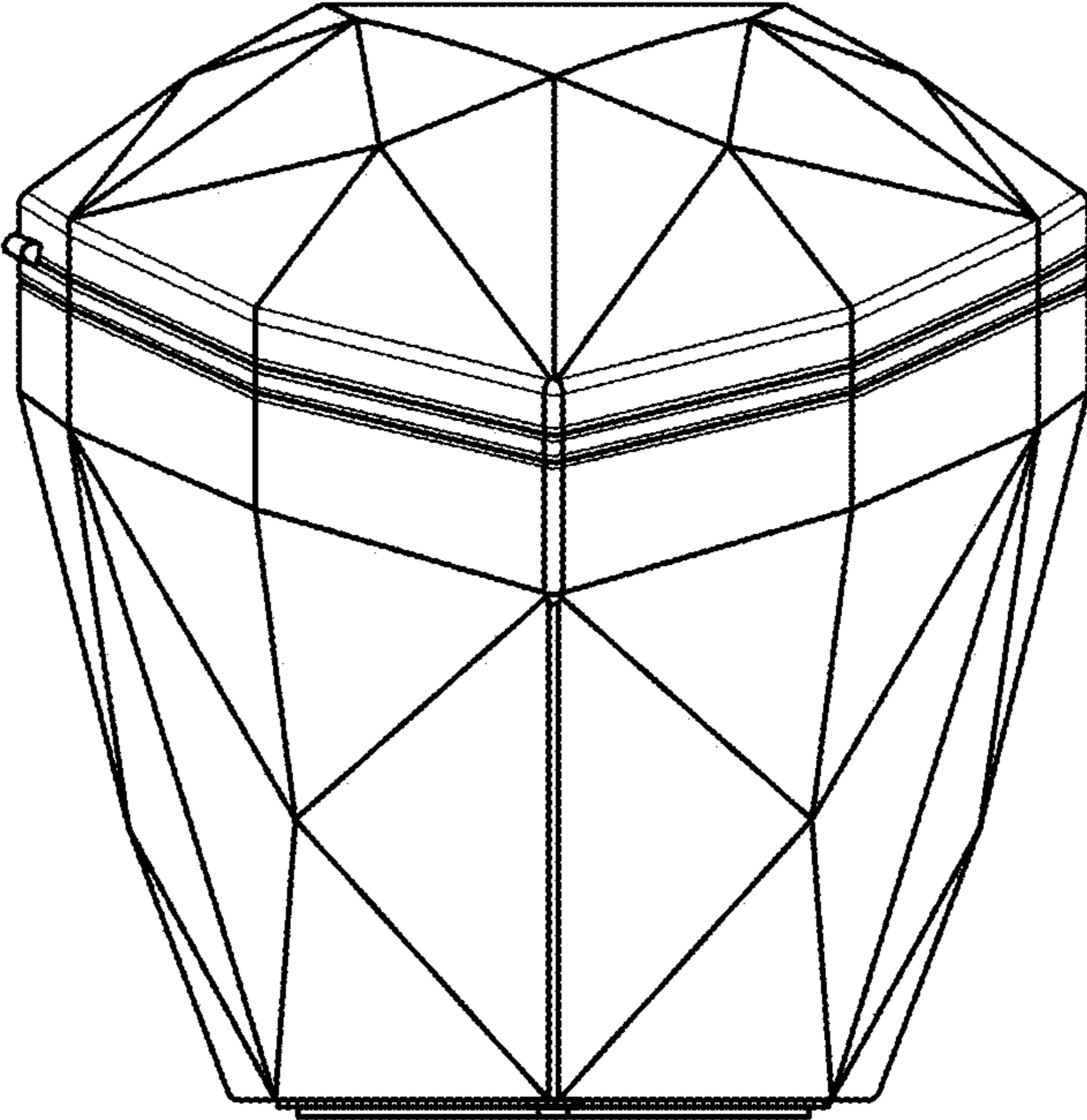


FIG.8

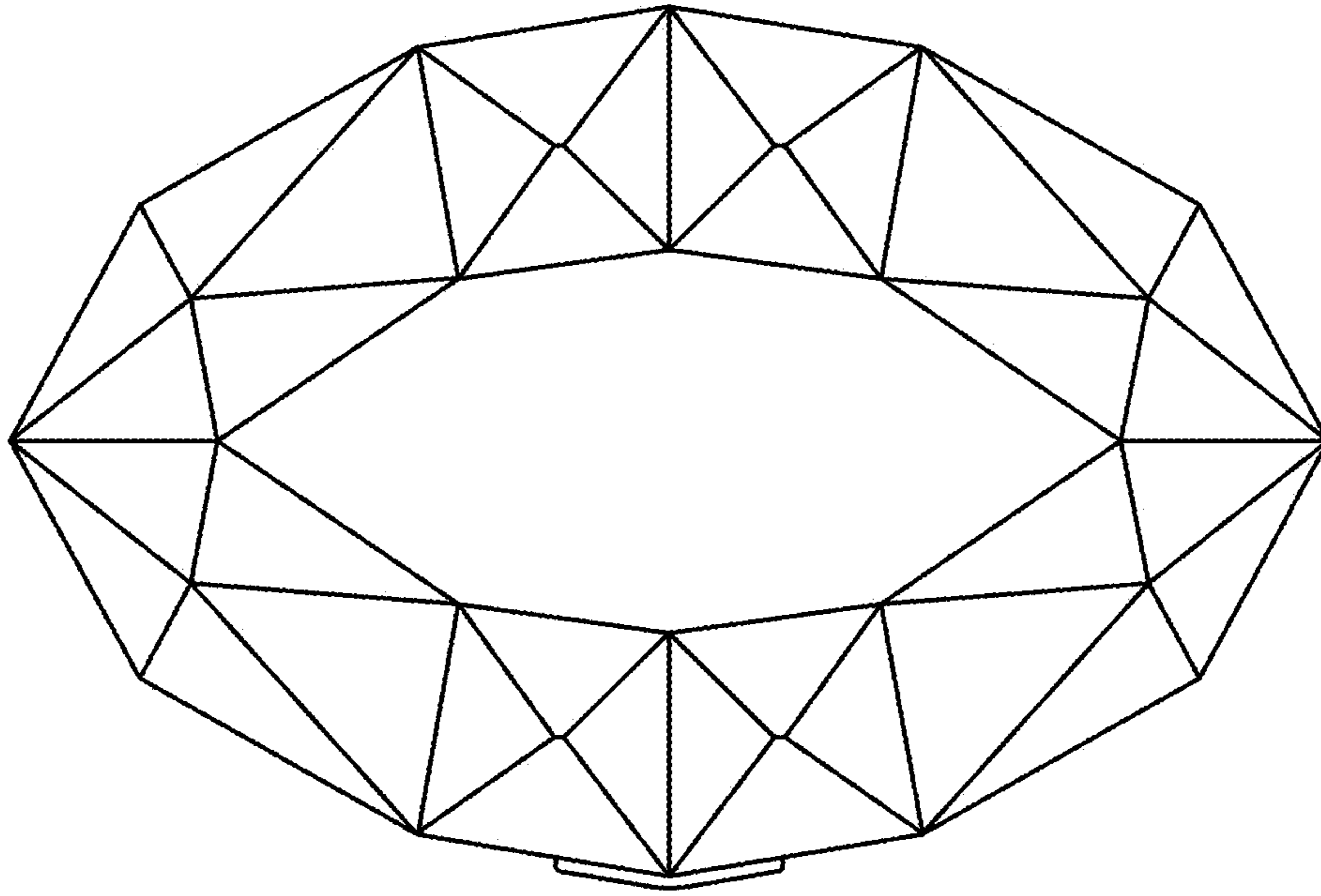


FIG.9

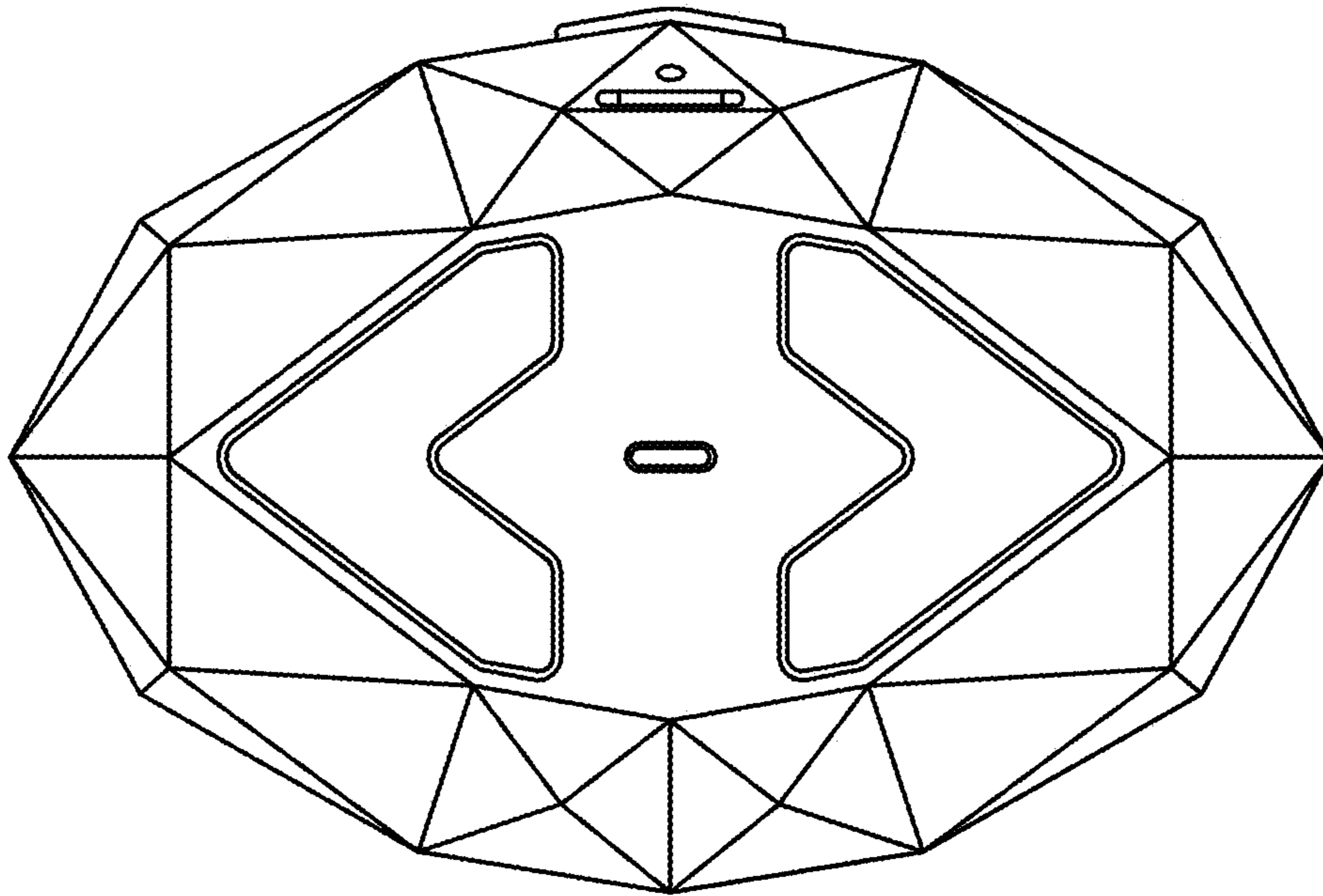


FIG.10