



US00D937428S

(12) **United States Design Patent**  
**Ho**

(10) **Patent No.:** **US D937,428 S**

(45) **Date of Patent:** **\*\* Nov. 30, 2021**

(54) **MULTI-FUNCTIONAL BACK RELIEF BELT**

(71) Applicant: **Hoi Ming Michael Ho**, Tuen Mun (HK)

(72) Inventor: **Hoi Ming Michael Ho**, Tuen Mun (HK)

(\*\*) Term: **15 Years**

(21) Appl. No.: **29/716,929**

(22) Filed: **Dec. 12, 2019**

(51) **LOC (13) Cl.** ..... **24-02**

(52) **U.S. Cl.**  
USPC ..... **D24/190; D24/200**

(58) **Field of Classification Search**  
USPC ..... D24/188–190, 145, 191, 192, 200, 211, D24/212, 213, 214, 215, 107, 143, D24/164–169, 206; D29/121.1, 10, 11, D29/101.5, 122, 100, 101, 102  
CPC .. A61F 5/028; A61F 5/03; A61F 5/024; A61F 5/0193; A61F 5/02; A61F 5/026; A61F 5/0118; A61F 5/022; A61F 5/30; A61F 5/0106; A61F 5/055; A61F 7/02; A61F 2007/0001; A61F 2250/001  
See application file for complete search history.

(56) **References Cited**

**U.S. PATENT DOCUMENTS**

D324,270 S *	2/1992	Raya .....	D24/206
D328,383 S *	8/1992	Working, Jr. ....	D24/190
D328,792 S *	8/1992	Salmon .....	D24/206
D336,566 S *	6/1993	Desjardins .....	D24/190
D349,767 S *	8/1994	Courtet .....	D24/190
D352,114 S *	11/1994	Nicholson .....	D24/190
D353,202 S *	12/1994	Hong .....	D24/164
D353,205 S *	12/1994	Canavan .....	D24/206
D353,890 S *	12/1994	McKeel .....	D24/190
D358,215 S *	5/1995	Reed .....	D24/190

D359,158 S *	6/1995	Miramontes .....	D21/683
D366,555 S *	1/1996	Daniels .....	D24/190
D368,331 S *	3/1996	Chiang .....	D29/121.1
D369,866 S *	5/1996	Baughn .....	D24/206
D374,547 S *	10/1996	McDonald .....	D24/190
D375,132 S *	10/1996	Kato .....	D2/627
D375,186 S *	11/1996	Kim .....	D13/183
D375,823 S *	11/1996	Bleiweis .....	D2/627
D376,403 S *	12/1996	Kato .....	D2/627
D394,707 S *	5/1998	Tsubooka .....	D24/190
D403,071 S *	12/1998	Biedermann .....	D24/190
D403,422 S *	12/1998	Affholter .....	D24/188
D404,490 S *	1/1999	Tripolsky .....	D24/190
D408,116 S *	4/1999	Gale .....	D2/627
D411,356 S *	6/1999	Roper .....	D30/146
D418,948 S *	1/2000	London .....	D24/190
D422,709 S *	4/2000	Caswell .....	D2/624
D435,611 S *	12/2000	Hines .....	D2/627
D435,911 S *	1/2001	Yeager .....	D24/206
D437,416 S *	2/2001	Slautterback .....	D24/190

(Continued)

*Primary Examiner* — T Chase Nelson

*Assistant Examiner* — Kelly L Gross

(74) *Attorney, Agent, or Firm* — CIPO IP Group

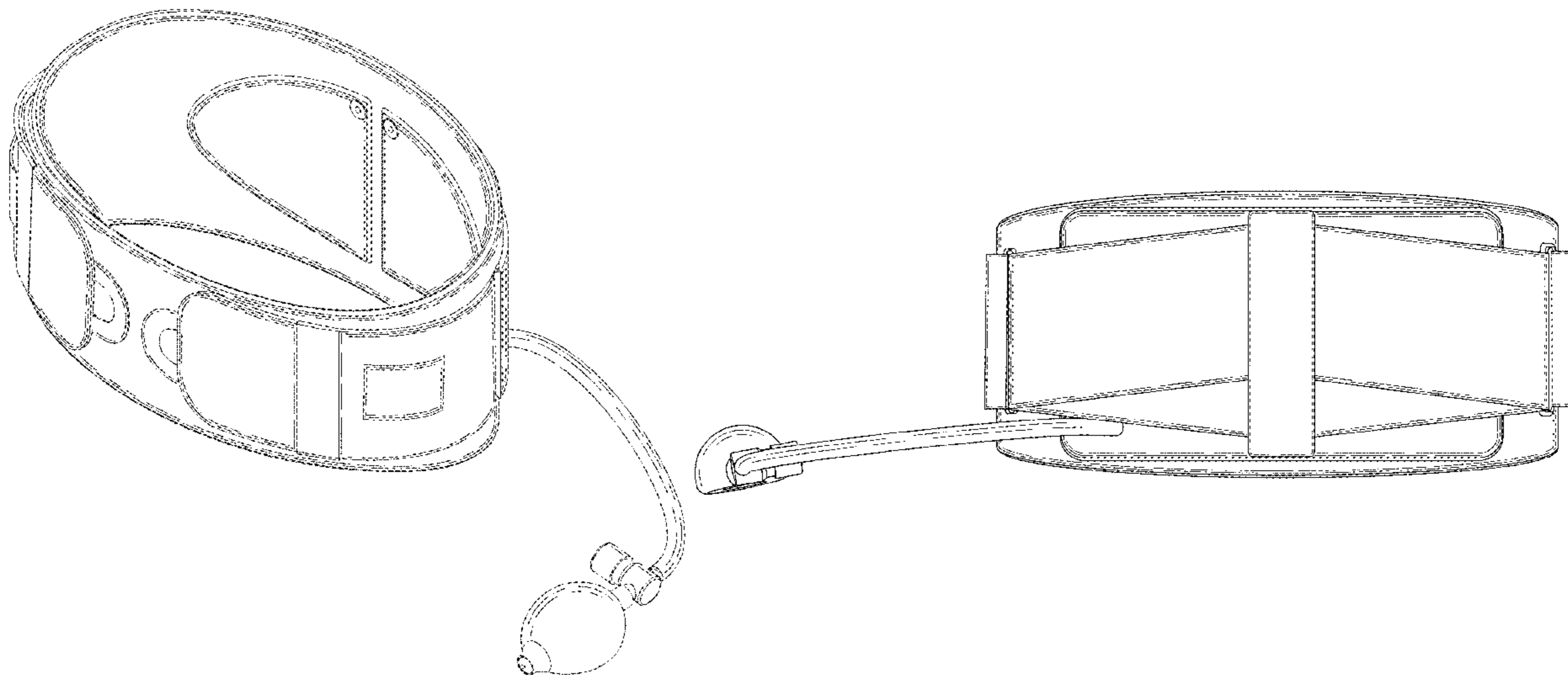
(57) **CLAIM**

The ornamental design for a multi-functional back relief belt, as shown and described.

**DESCRIPTION**

FIG. 1 is a perspective view of the multi-functional back relief belt showing my new design;  
FIG. 2 is a front view thereof;  
FIG. 3 is a rear view thereof;  
FIG. 4 is a left side view thereof;  
FIG. 5 is a right side view thereof;  
FIG. 6 is a top view thereof;  
FIG. 7 is a bottom view thereof; and,  
FIG. 8 is a perspective view from the left side view thereof.

**1 Claim, 8 Drawing Sheets**





(56)

**References Cited**

U.S. PATENT DOCUMENTS

D913,629 S \* 3/2021 Liang ..... A61F 5/028  
D2/702  
D913,630 S \* 3/2021 Mei ..... A61F 5/05833  
D2/702  
D914,889 S \* 3/2021 Langberg ..... F04B 53/10  
D24/190  
D914,890 S \* 3/2021 Langberg ..... D24/190  
D915,076 S \* 4/2021 Yue ..... D3/327  
D916,298 S \* 4/2021 Langberg ..... F04B 33/00  
D24/190  
D917,054 S \* 4/2021 Woo ..... D24/190  
D918,403 S \* 5/2021 Chen ..... D04B 21/20  
D24/200  
D918,530 S \* 5/2021 Zimmer ..... D2/627  
D920,523 S \* 5/2021 Lin ..... D24/190  
D925,744 S \* 7/2021 Yeip ..... D24/191

\* cited by examiner

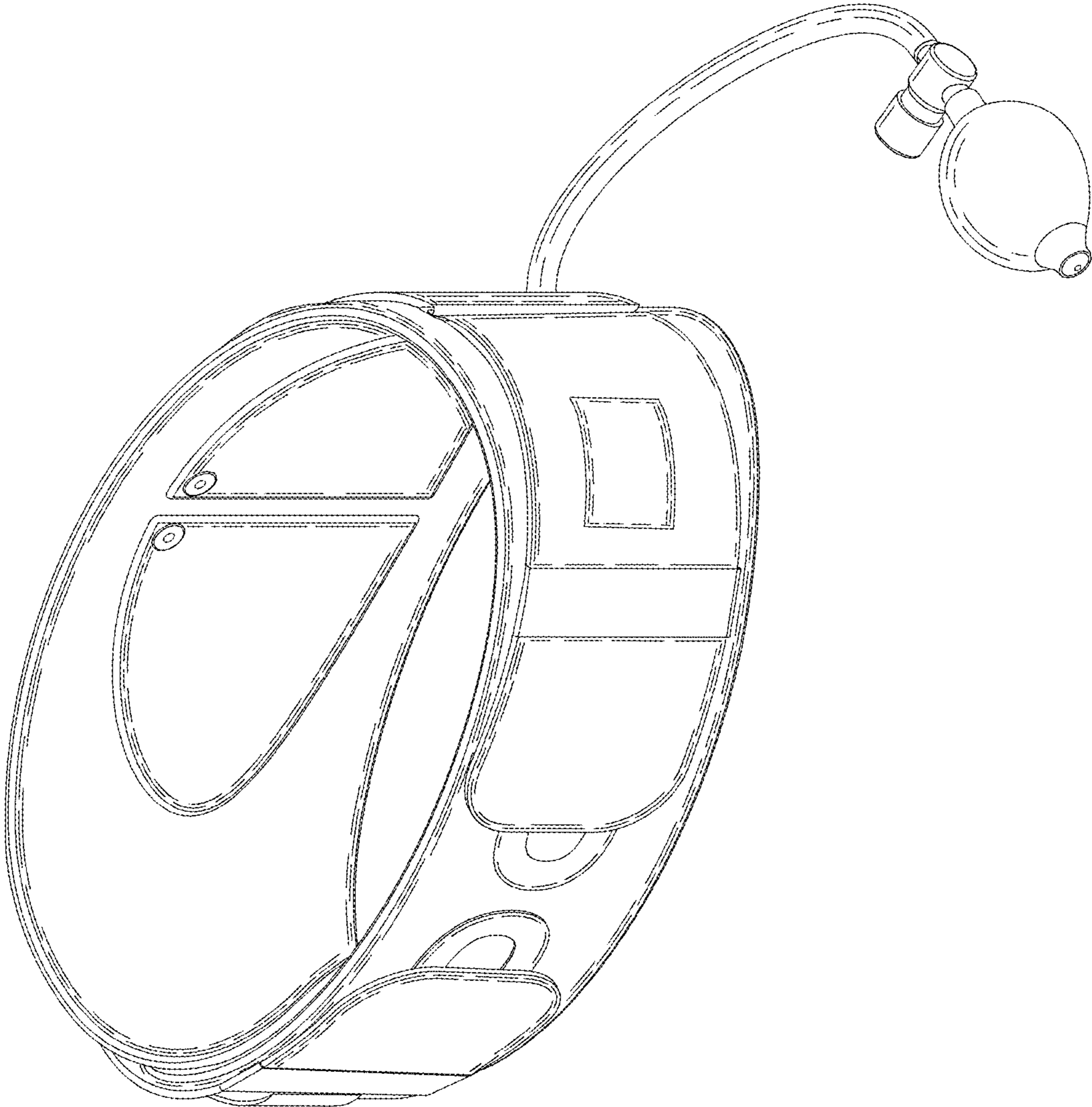


FIG. 1

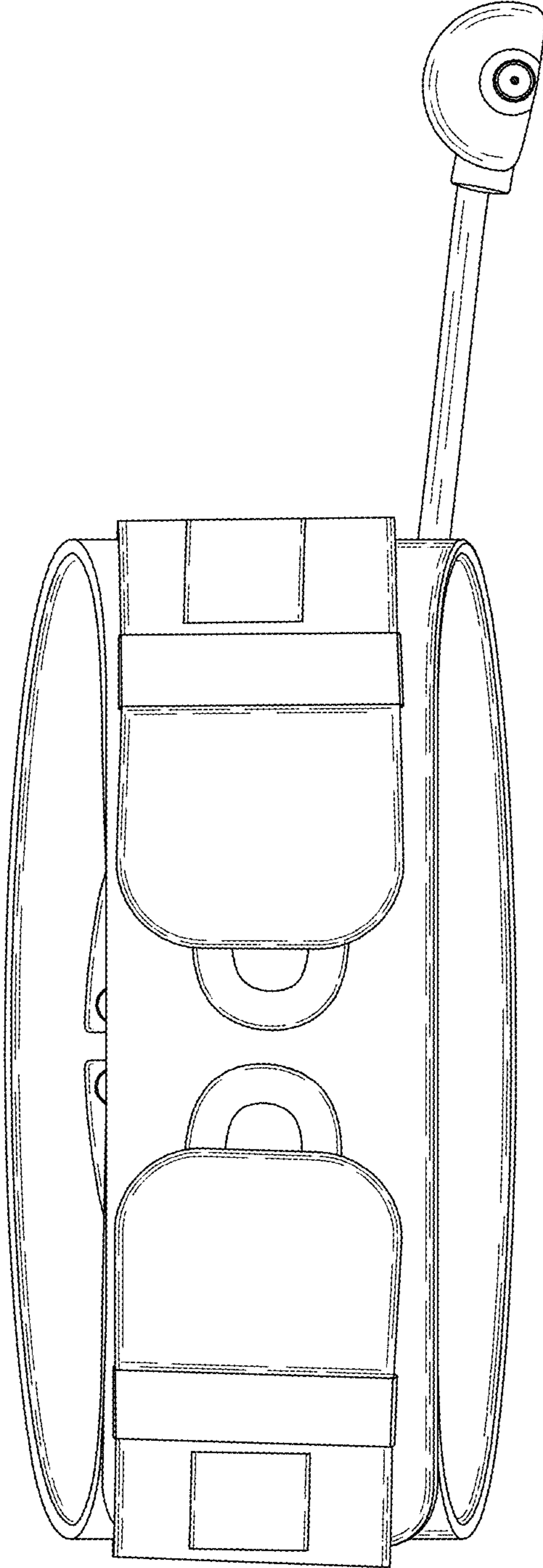


FIG. 2

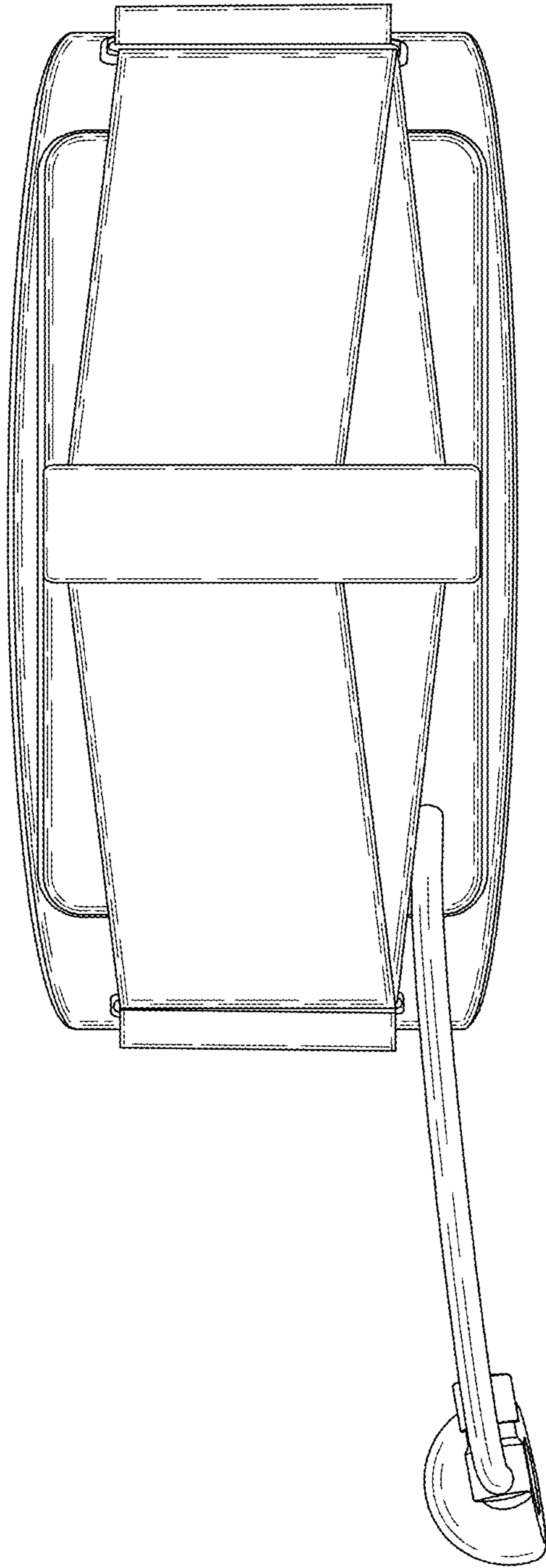


FIG. 3

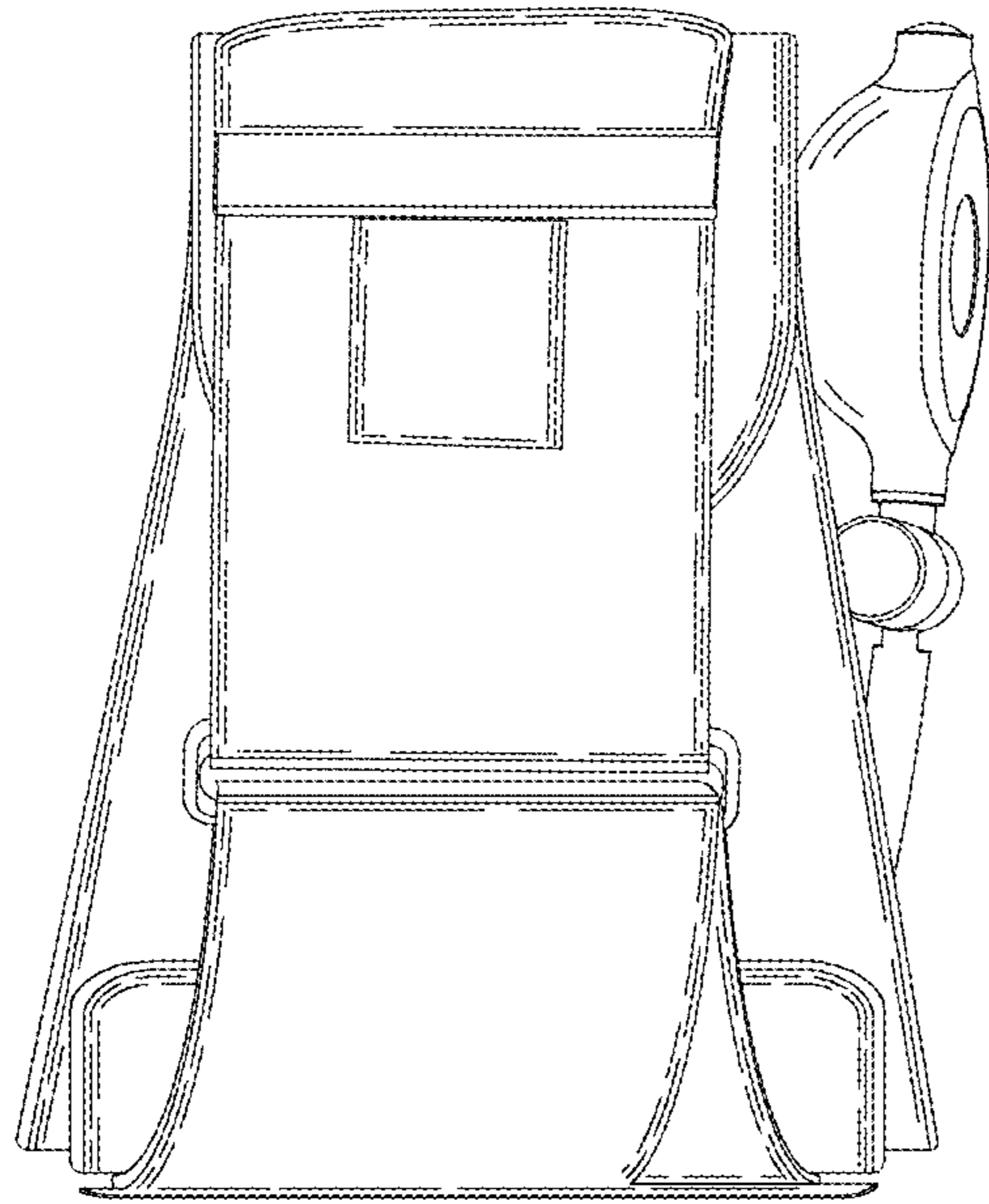


FIG. 4

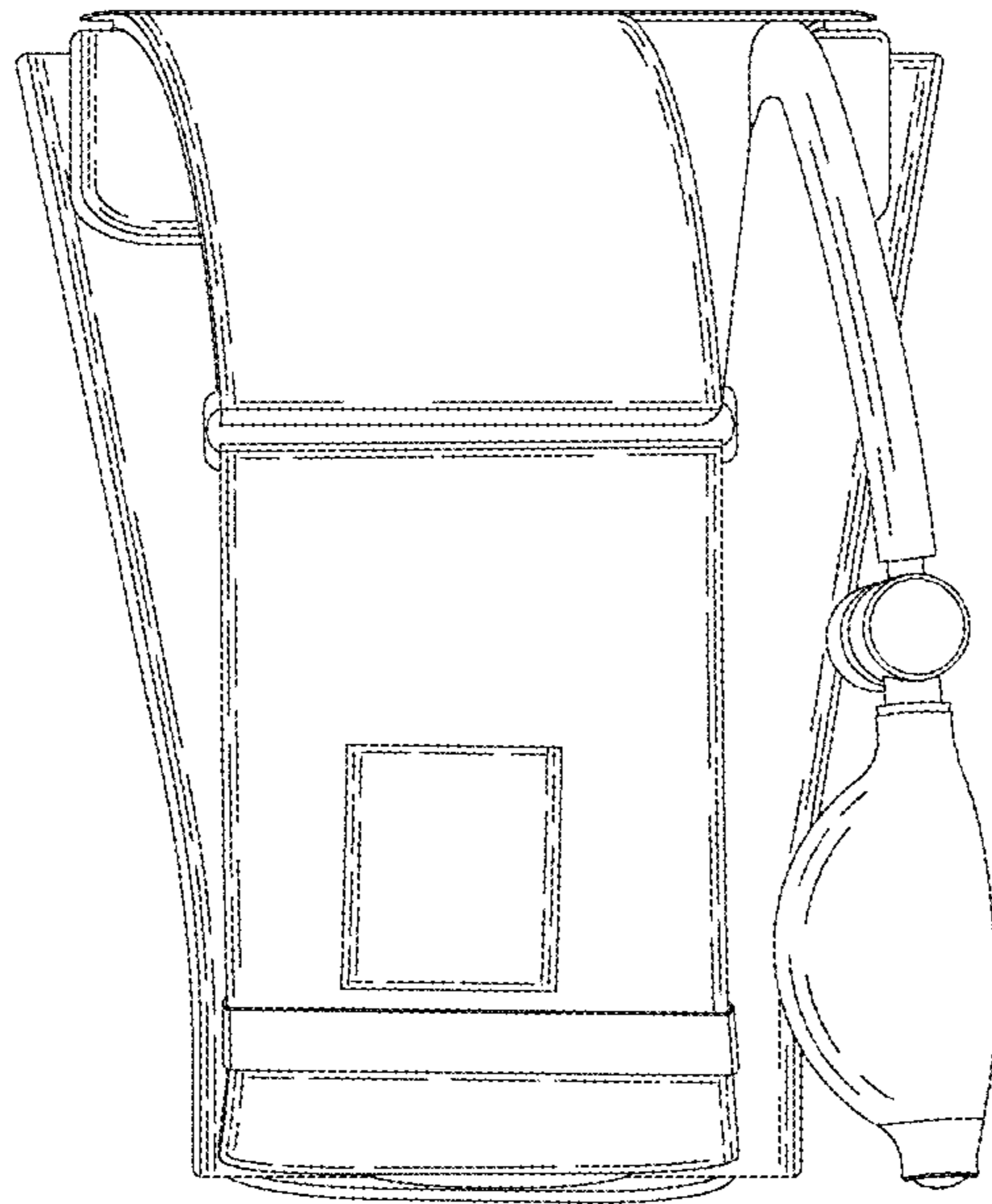


FIG. 5



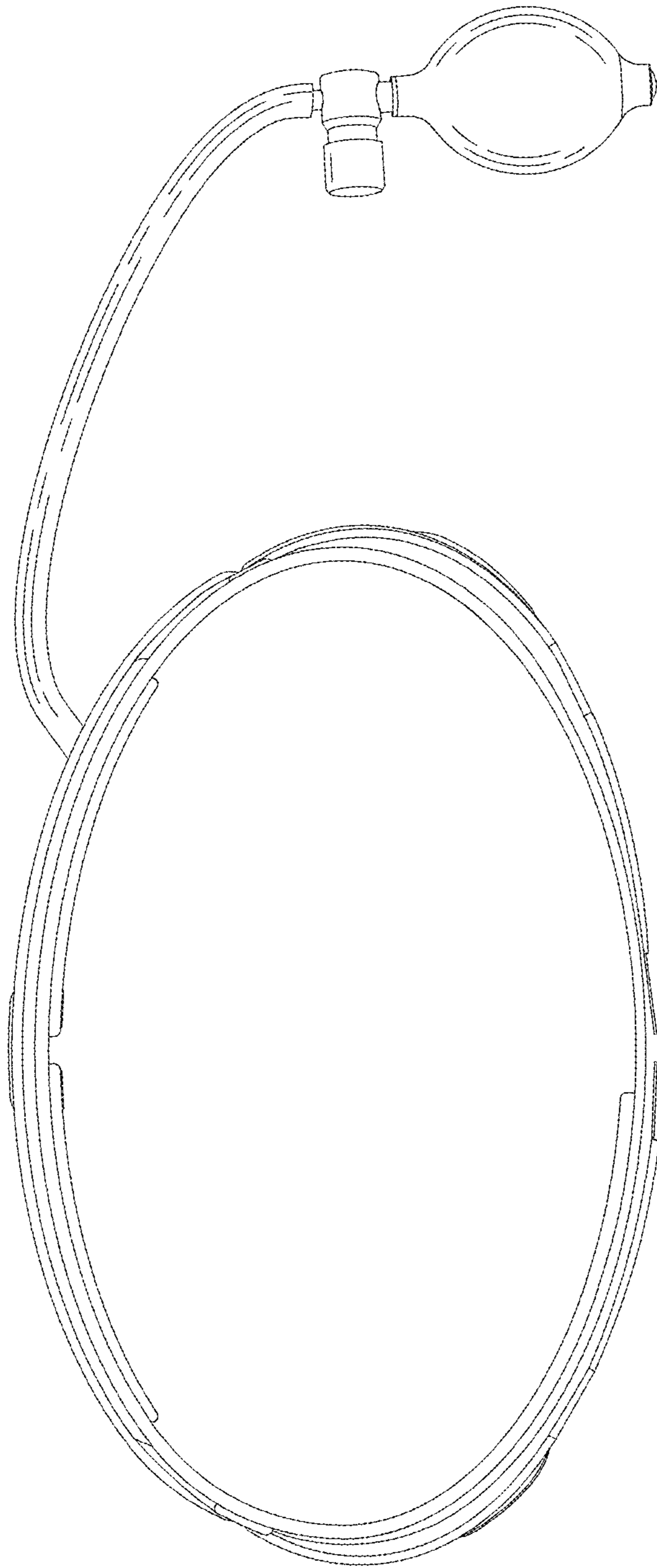


FIG. 6

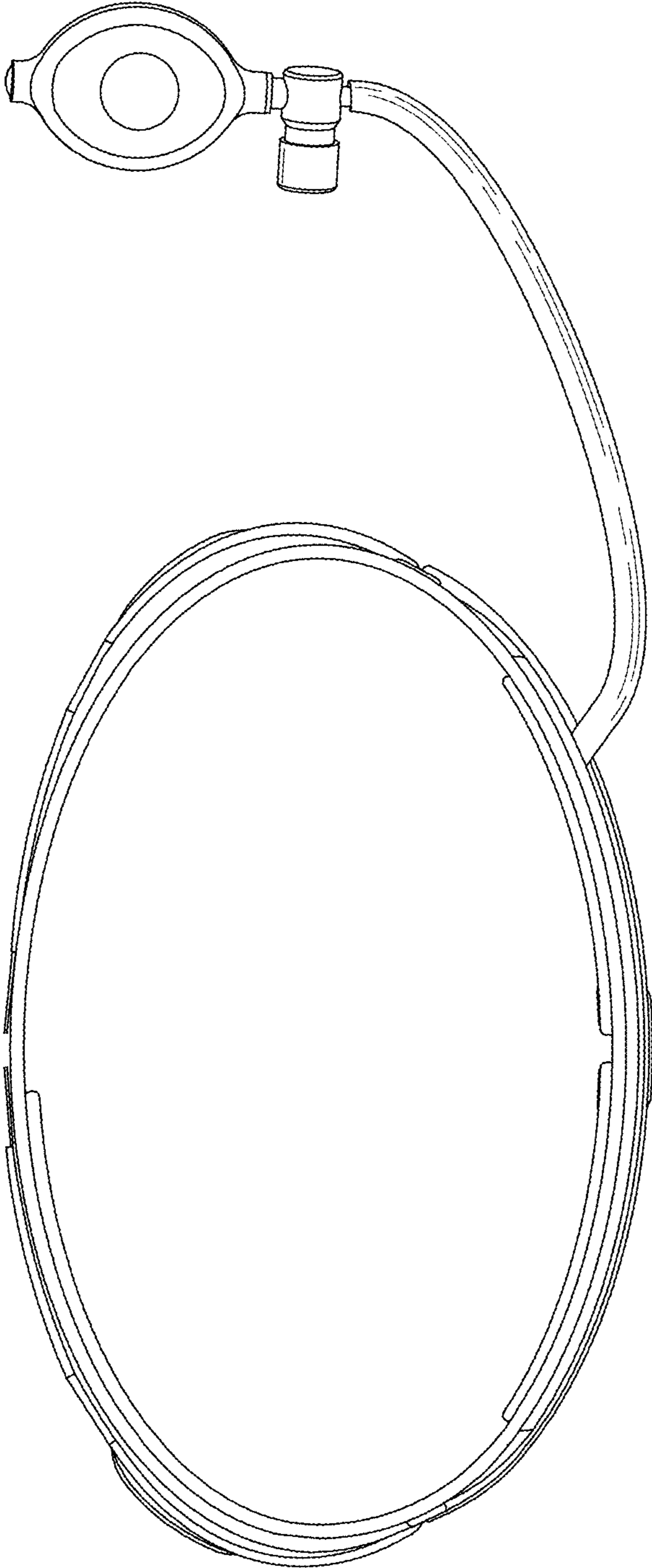


FIG. 7

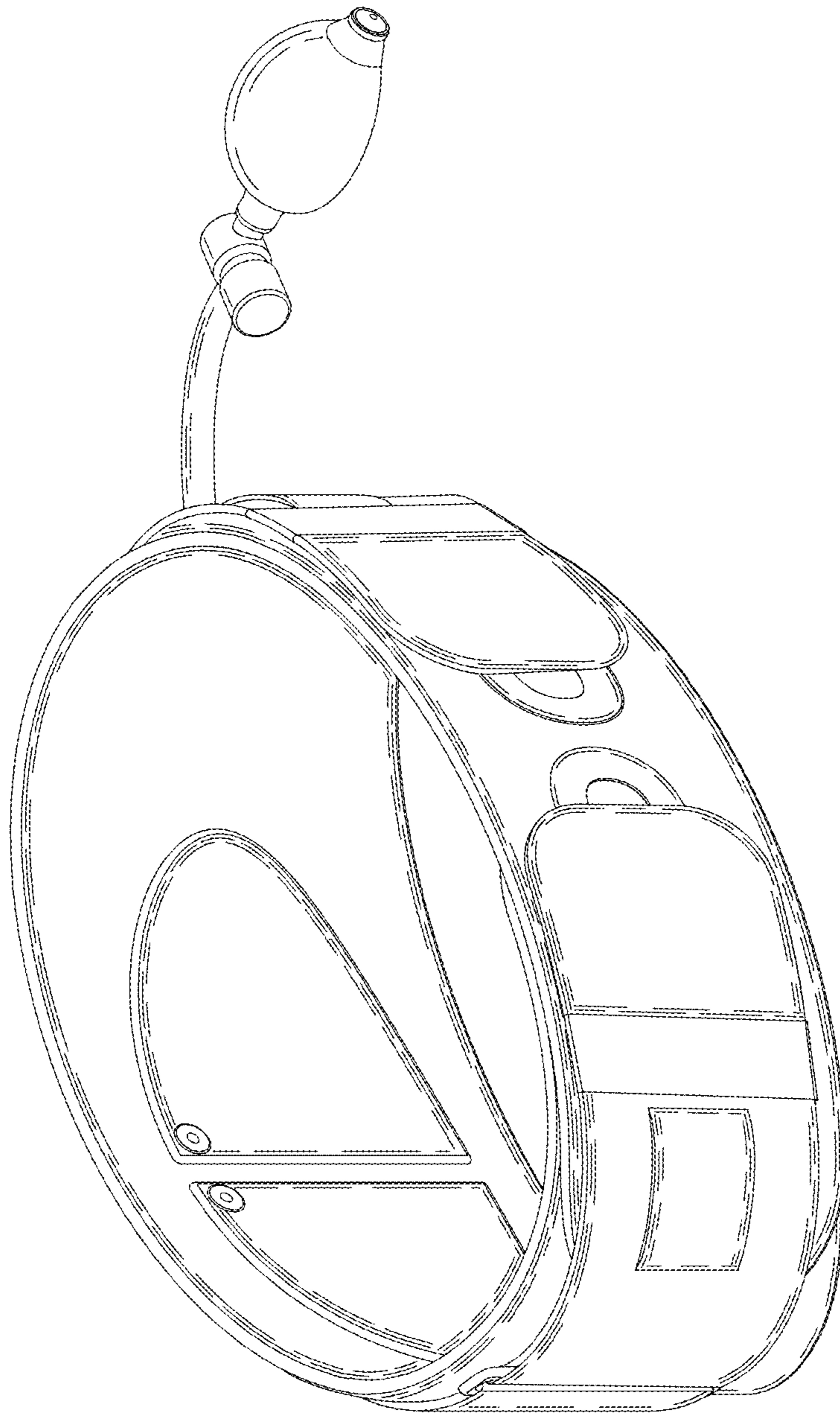


FIG. 8