



US00D937421S

(12) **United States Design Patent**
Antonini

(10) **Patent No.:** **US D937,421 S**

(45) **Date of Patent:** **** Nov. 30, 2021**

(54) **FOLDABLE MEDICAL ELECTRODE**

9,968,769 B2 * 5/2018 Sasayama A61M 39/10
D844,133 S * 3/2019 Choi D24/130
D854,151 S * 7/2019 Shelton, IV D24/145

(71) Applicant: **WISE S.r.l.**, Cologno Monzese (IT)

(72) Inventor: **Alessandro Antonini**, Cologno Monzese (IT)

(73) Assignee: **WISE S.r.l.**, Cologno Monzese (IT)

(**) Term: **15 Years**

(21) Appl. No.: **35/509,255**

(22) Filed: **Apr. 2, 2020**

(80) **Hague Agreement Data**

Int. Filing Date: **Apr. 2, 2020**

Int. Reg. No.: **DM/207406**

Int. Reg. Date: **Apr. 2, 2020**

Int. Reg. Pub. Date: **May 1, 2020**

(51) **LOC (13) Cl.** **24-01**

(52) **U.S. Cl.**

USPC **D24/168**

(58) **Field of Classification Search**

USPC D24/168, 129, 130, 133, 145, 146

CPC A61N 1/0553; A61N 1/372

See application file for complete search history.

(56) **References Cited**

U.S. PATENT DOCUMENTS

D630,321 S * 1/2011 Hamilton, Jr. D24/133
D710,997 S * 8/2014 Thon D24/145
D762,302 S * 7/2016 Dunn D24/143
D782,042 S * 3/2017 Dexter D24/146
D782,676 S * 3/2017 Fink D24/146
D790,699 S * 6/2017 Dexter D24/146
D792,969 S * 7/2017 Taylor D24/130

OTHER PUBLICATIONS

Youtube. WISE—Pitch MIT4LS2015. Oct. 20, 2015. <https://www.youtube.com/watch?v=-oHS2qUhPhw> (Year: 2015).*

* cited by examiner

Primary Examiner — Darcey E Gottschalk

(74) *Attorney, Agent, or Firm* — Ferguson Case Orr Paterson

(57) **CLAIM**

The ornamental design for a foldable medical electrode, as shown and described.

DESCRIPTION

FIG. 1.1 is a perspective view of a foldable medical electrode according to my design, in a first configuration.

FIG. 1.2 is a front view of the foldable medical electrode shown in FIG. 1.1, in the first configuration.

FIG. 1.3 is a back view of the foldable medical electrode shown in FIG. 1.1, in the first configuration.

FIG. 1.4 is a right view of the foldable medical electrode shown in FIG. 1.1, in the first configuration, with the left view being a mirror image thereof.

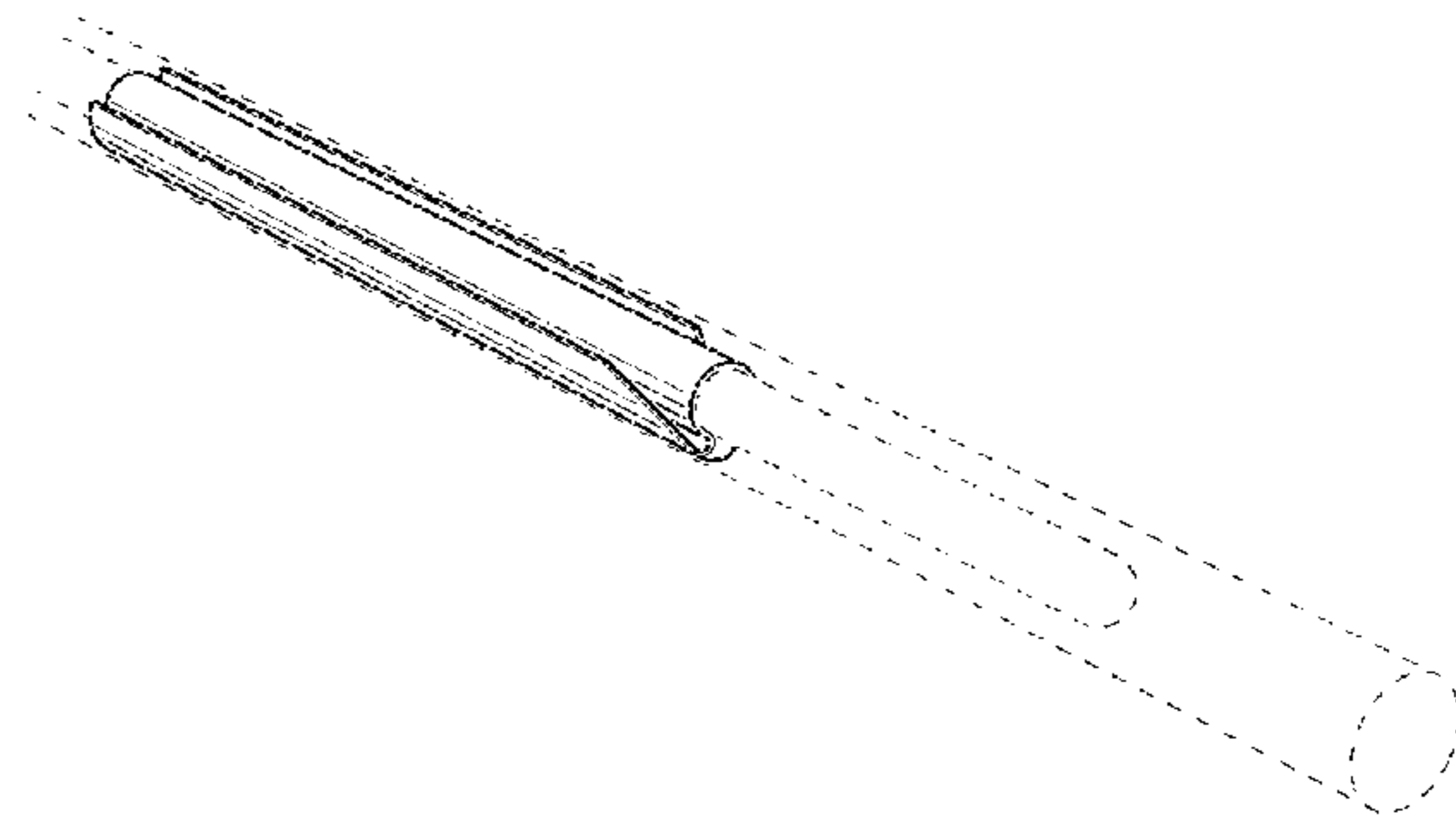
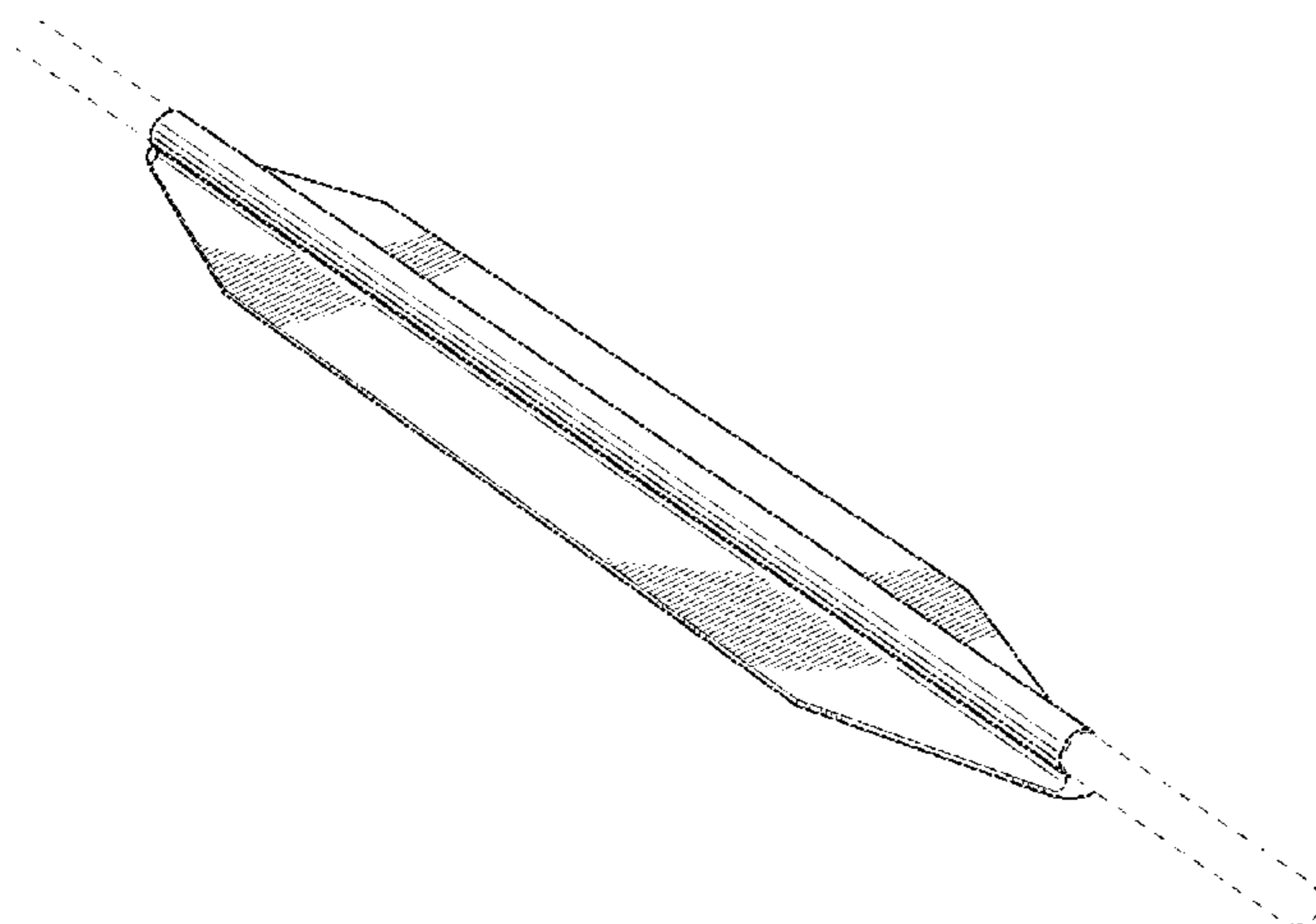
FIG. 1.5 is a bottom view of the foldable medical electrode shown in FIG. 1.1, in the first configuration.

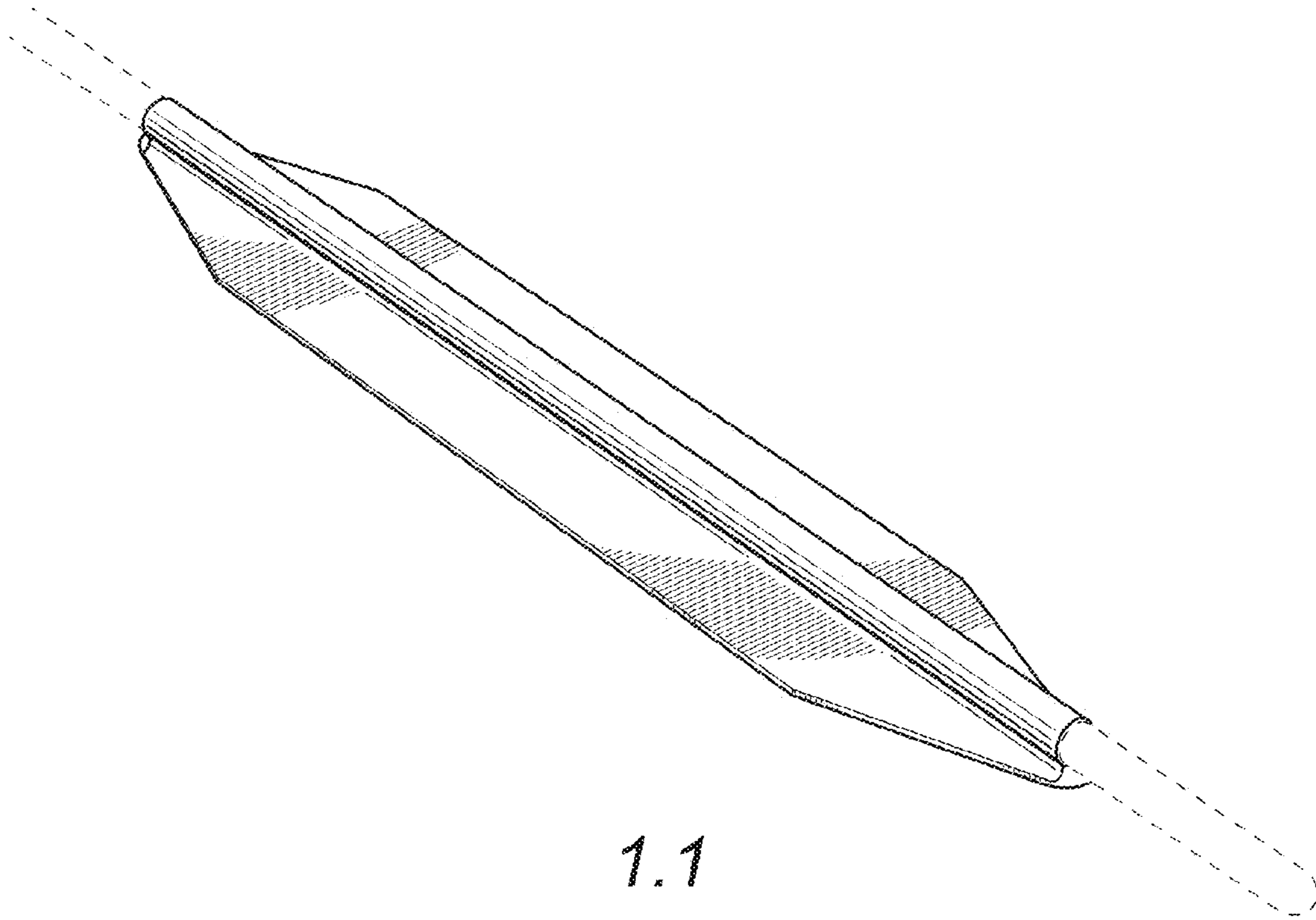
FIG. 1.6 is a top view of the foldable medical electrode shown in FIG. 1.1, in the first configuration.

FIG. 1.7 is a perspective view of the foldable medical electrode shown in FIG. 1.1, in a second configuration.

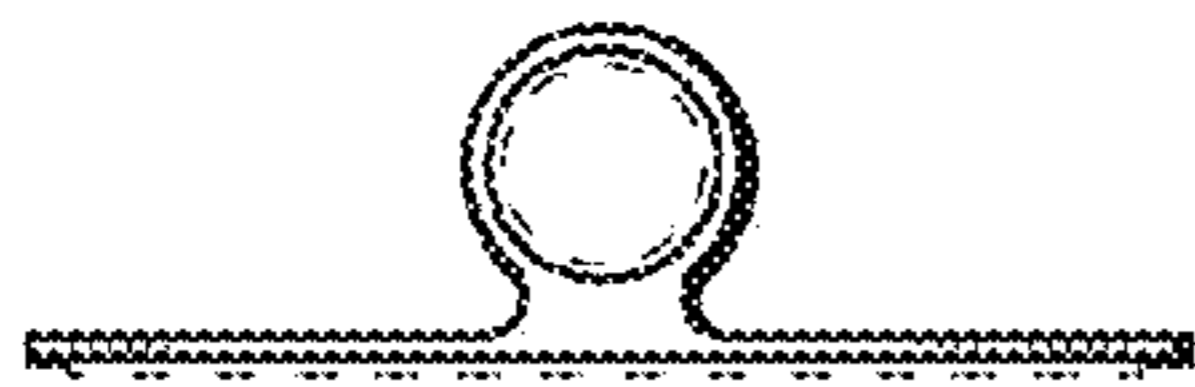
Broken lines show portions of the foldable medical electrode that form no part of the claim.

1 Claim, 2 Drawing Sheets

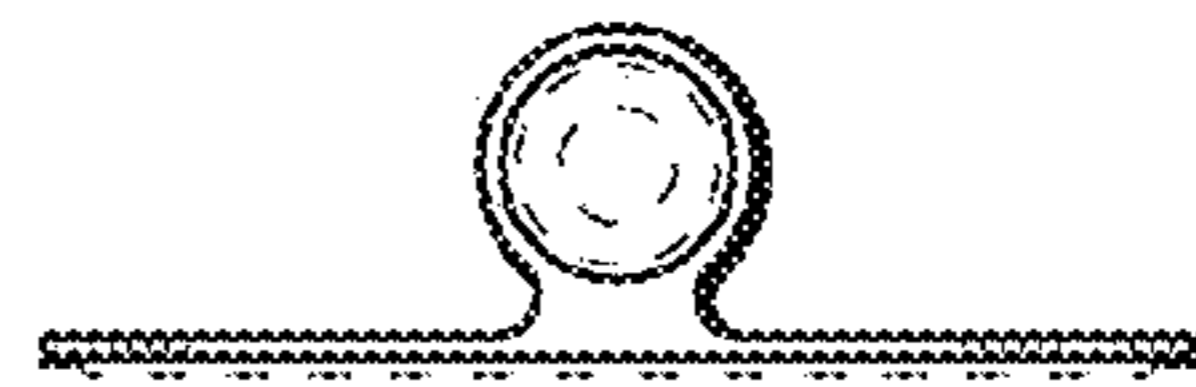




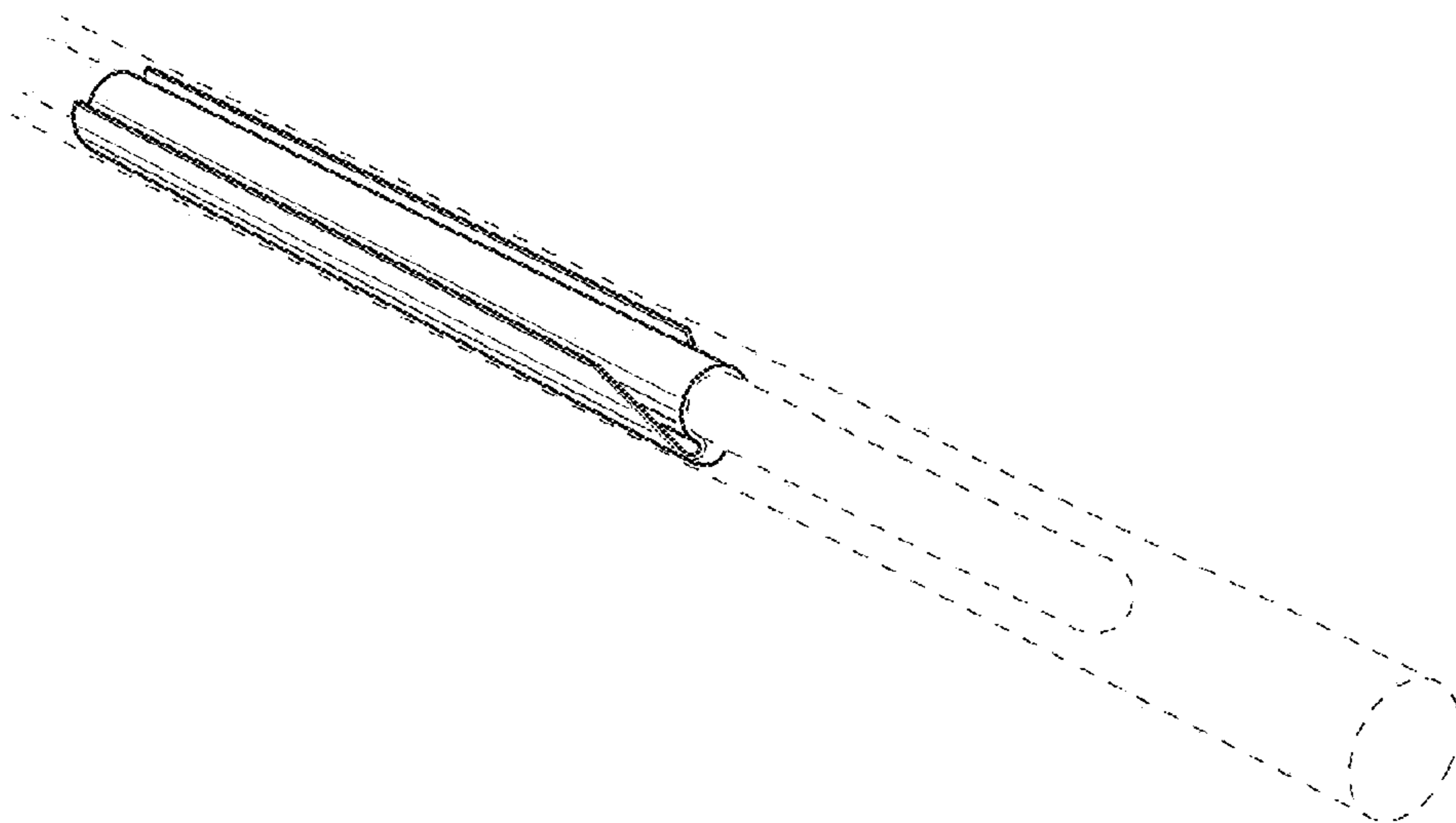
1.1



1.2



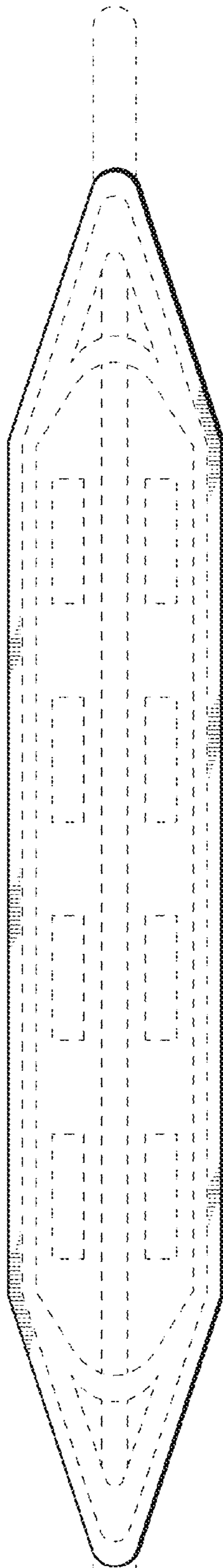
1.3



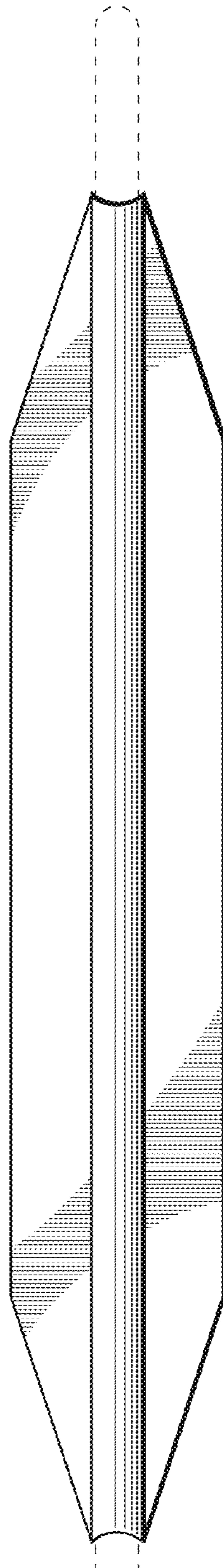
1.7



1.4



1.5



1.6