



US00D937420S

(12) **United States Design Patent**  
**Lou**

(10) **Patent No.:** **US D937,420 S**

(45) **Date of Patent:** **\*\* Nov. 30, 2021**

(54) **TENS ELECTRODE**

(71) Applicant: **Top-Rank Health Care Co., Ltd.**,  
Zhejiang (CN)

(72) Inventor: **Gangfeng Lou**, Zhejiang (CN)

(73) Assignee: **TOP-RANK HEALTH CARE CO., LTD.**, Zhejiang (CN)

(\*\*) Term: **15 Years**

(21) Appl. No.: **29/730,743**

(22) Filed: **Apr. 8, 2020**

(30) **Foreign Application Priority Data**

Mar. 27, 2020 (CN) ..... 202030112020.4

(51) **LOC (13) Cl.** ..... **24-02**

(52) **U.S. Cl.**  
USPC ..... **D24/168; D24/200**

(58) **Field of Classification Search**  
USPC ..... D24/107, 164, 165-169, 186, 187, 200,  
D24/188, 189  
CPC .. A61N 1/36; A61N 1/36014; A61N 1/36021;  
A61N 1/36057; A61N 1/3605; A61N  
1/36003; A61N 1/37211; A61N 3/37235;  
A61N 1/3787; A61N 1/322; A61N  
1/0404; A61N 1/0452; A61N 1/0456;  
A61N 1/048

See application file for complete search history.

(56) **References Cited**

**U.S. PATENT DOCUMENTS**

5,450,845 A \* 9/1995 Axelgaard ..... A61N 1/0492  
600/382  
D615,659 S \* 5/2010 Anderson ..... D24/187

D787,686 S \* 5/2017 Jeffery ..... D24/187  
D824,526 S \* 7/2018 Ramjit ..... D24/189  
D854,697 S \* 7/2019 Yang ..... D24/200  
D872,279 S \* 1/2020 Dunphy ..... D24/167  
2012/0232634 A1\* 9/2012 Fisher, III ..... A61N 1/048  
607/149  
2017/0209684 A1\* 7/2017 Axelgaard ..... A61N 1/0452  
2018/0317850 A1\* 11/2018 Regan ..... A61B 5/68335  
2019/0104995 A1\* 4/2019 Cantwell ..... A61B 5/6847

**FOREIGN PATENT DOCUMENTS**

GB 9007779236-0001 \* 3/2020

\* cited by examiner

*Primary Examiner* — Anhdao Doan

(74) *Attorney, Agent, or Firm* — McClure, Qualey &  
Rodack, LLP

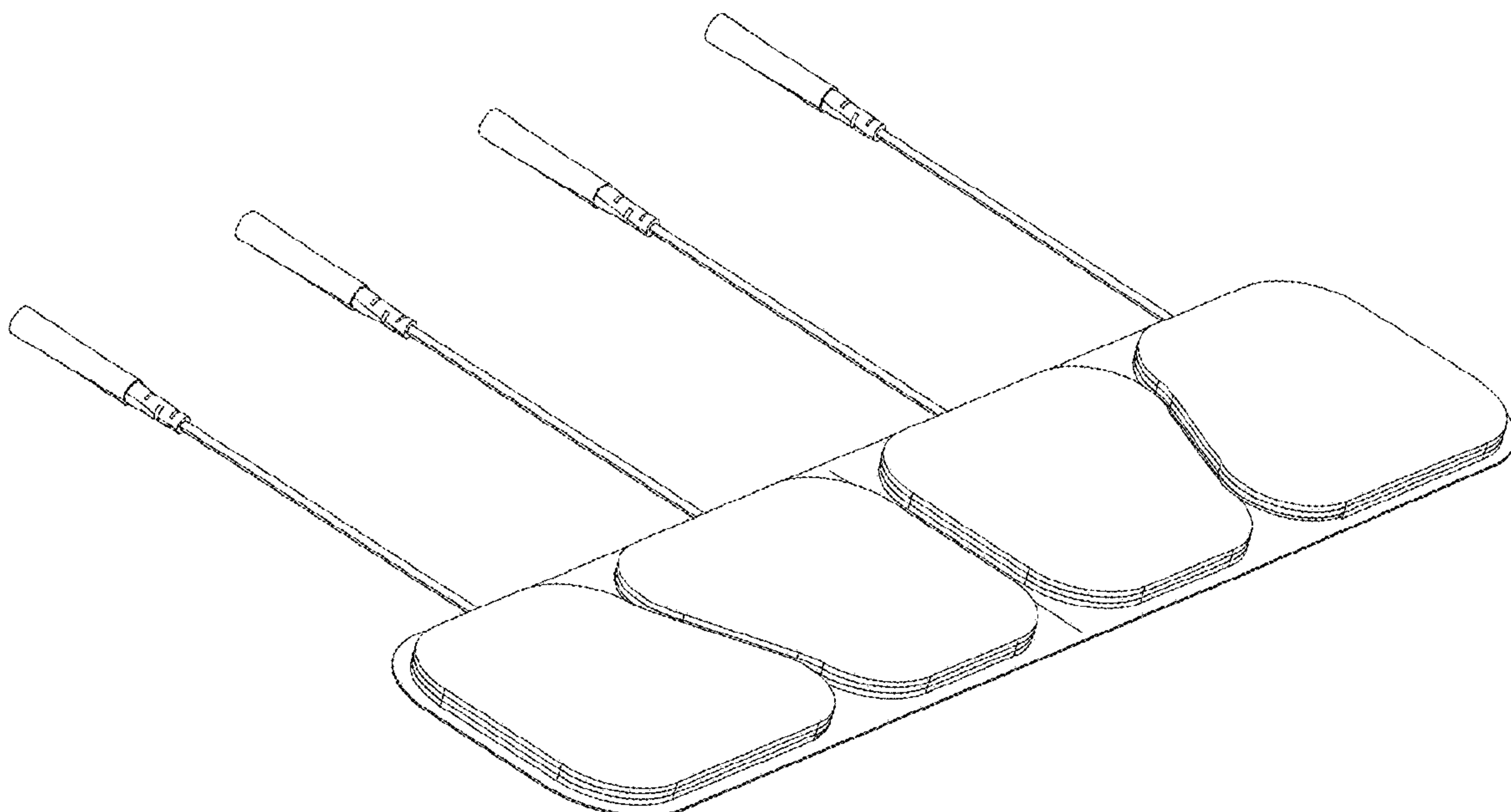
(57) **CLAIM**

The ornamental design for a TENS electrode, as shown and described.

**DESCRIPTION**

FIG. 1 is a front perspective of a TENS electrode;  
FIG. 2 is a perspective view thereof in a condition of use;  
FIG. 3 is a front elevational view thereof;  
FIG. 4 is a rear elevational view thereof;  
FIG. 5 is a left side elevational view thereof;  
FIG. 6 is a right side elevational view thereof;  
FIG. 7 is a top plan view thereof;  
FIG. 8 is a bottom plan view thereof; and,  
FIG. 9 is an enlarged view of the circled portion of FIG. 8.

**1 Claim, 9 Drawing Sheets**



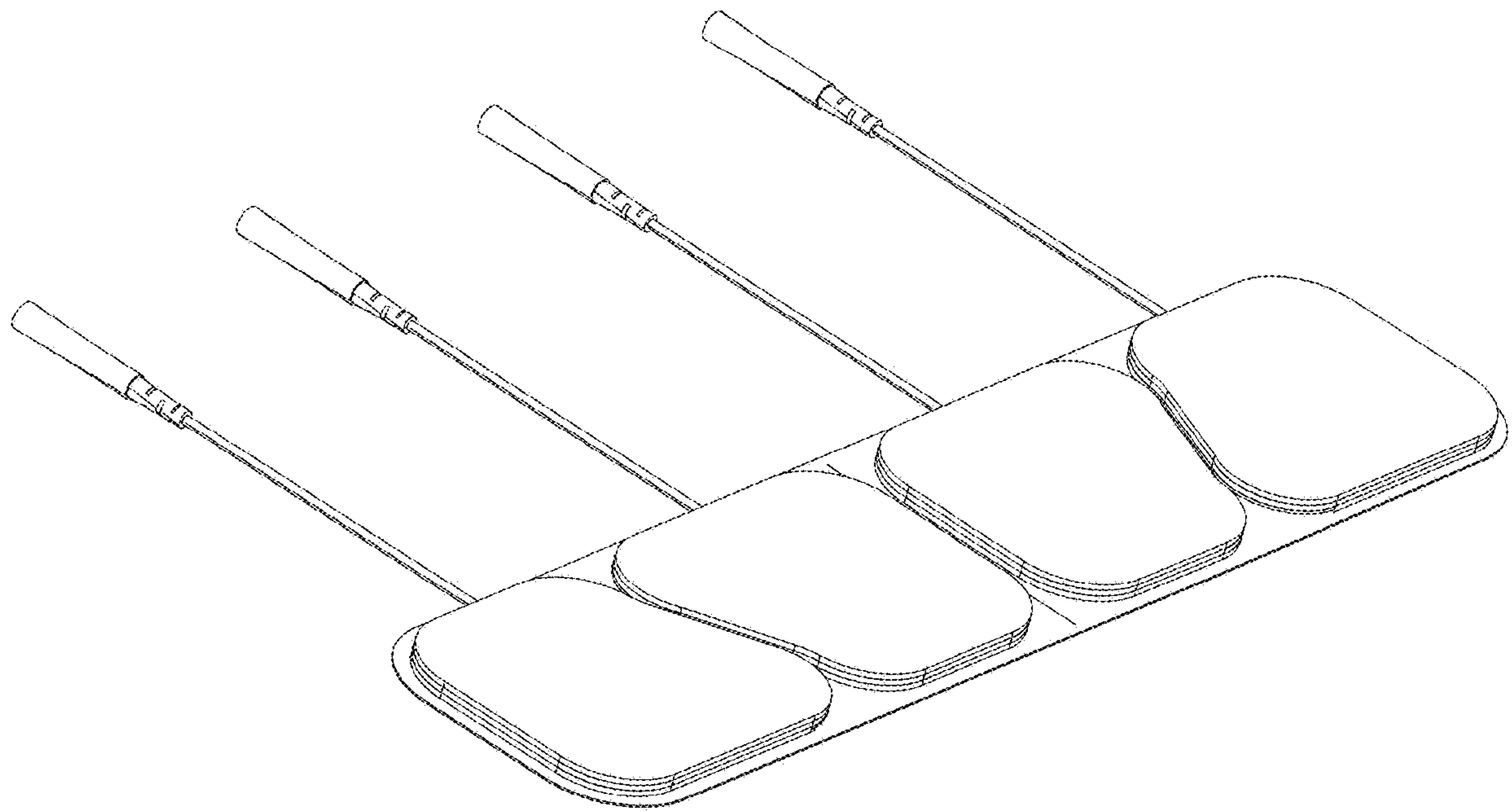


FIG.1

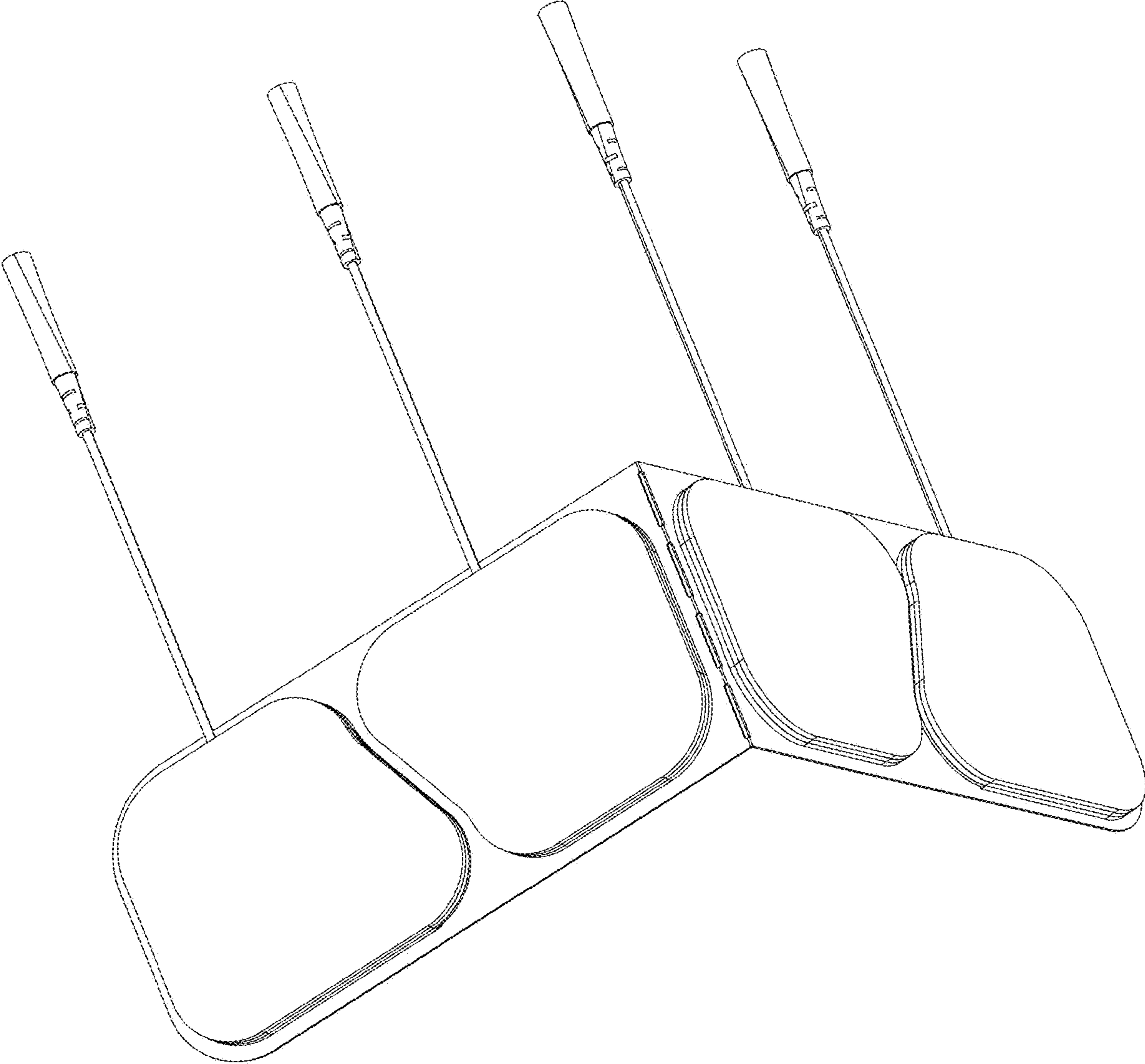


FIG.2

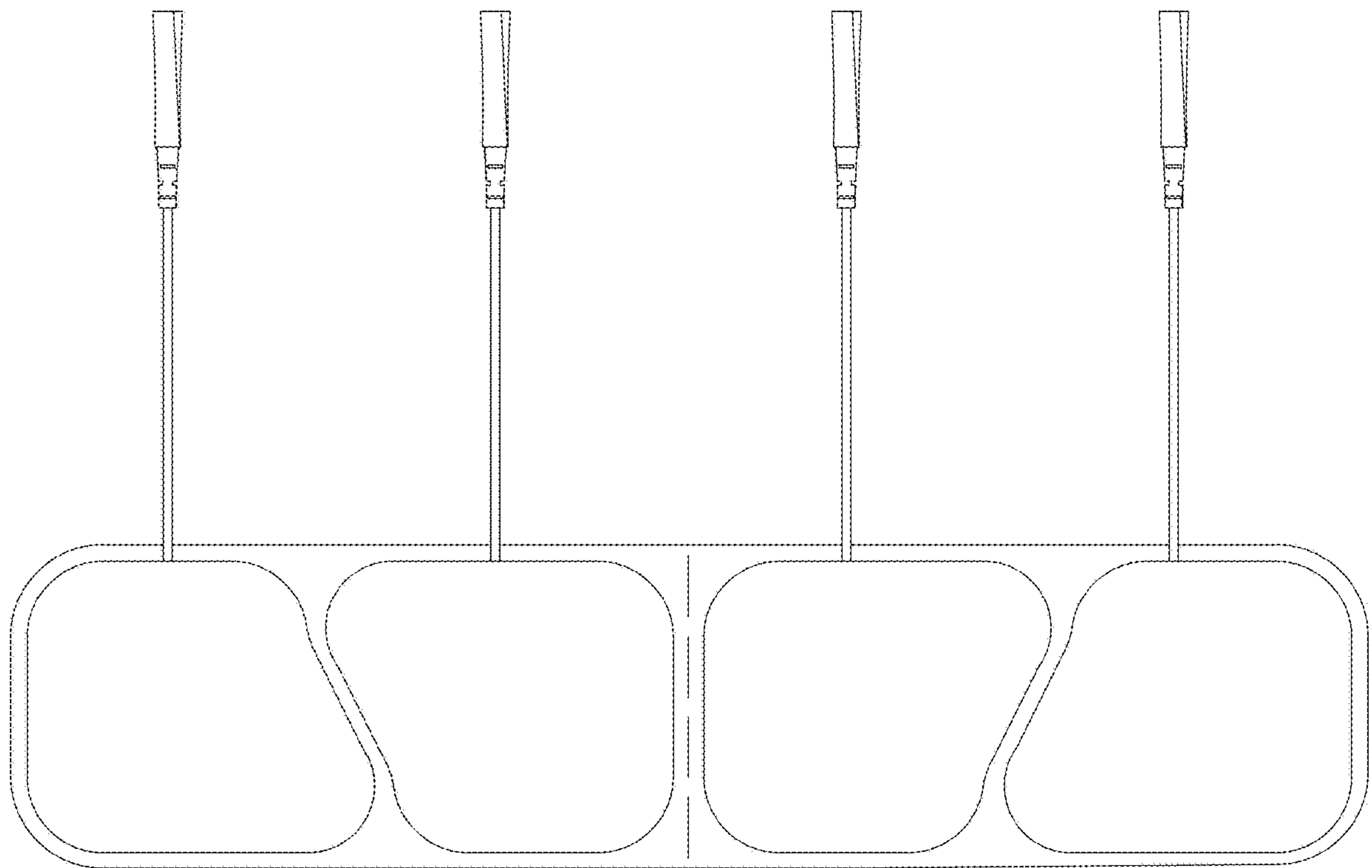


FIG.3

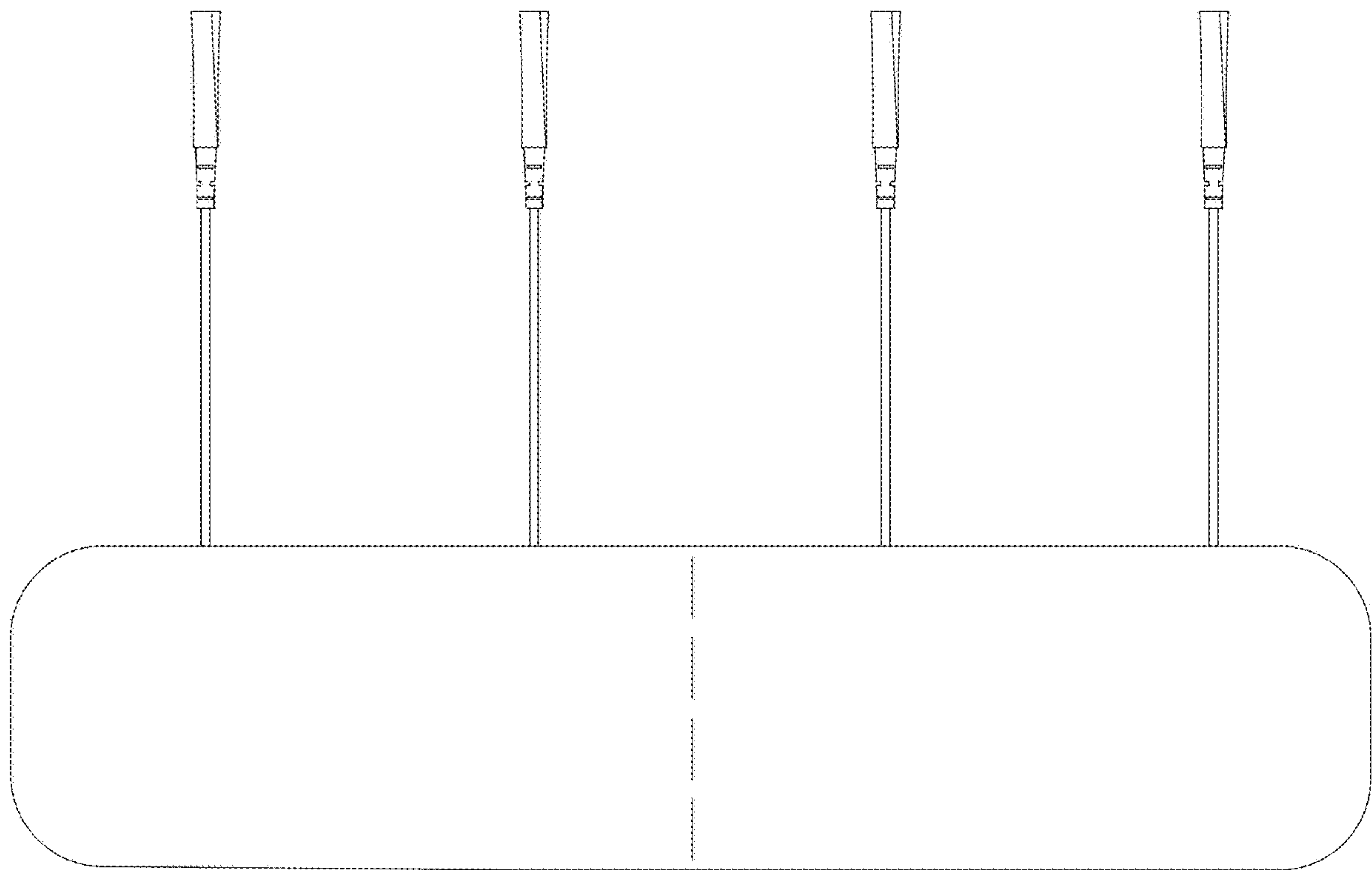


FIG.4

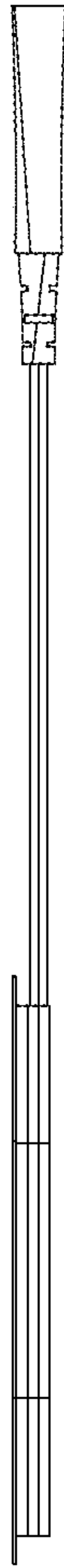


FIG.5

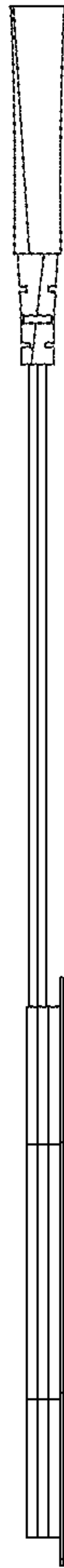


FIG.6

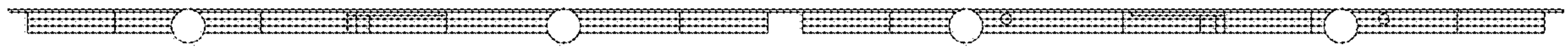


FIG.7



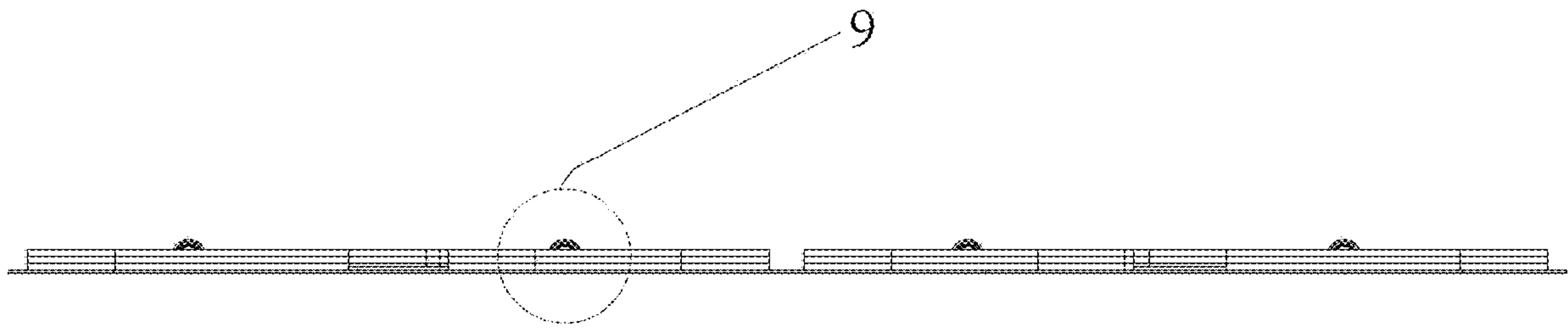


FIG.8

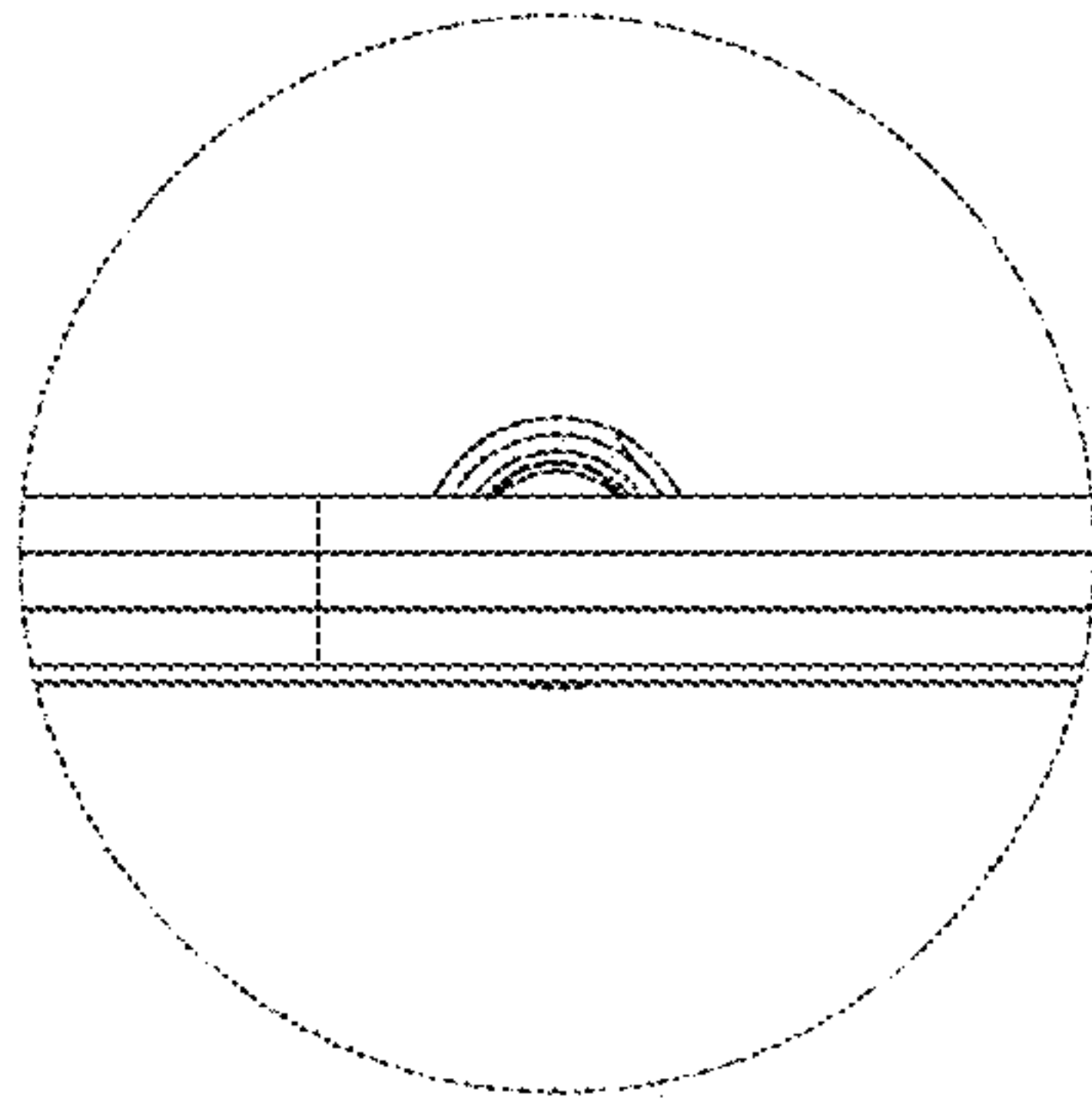


FIG.9