



US00D937419S

(12) **United States Design Patent** (10) **Patent No.:** **US D937,419 S**
Lou (45) **Date of Patent:** **** Nov. 30, 2021**

(54) **TENS ELECTRODE**
(71) Applicant: **Top-Rank Health Care Co., Ltd.,**
Zhejiang (CN)
(72) Inventor: **Gangfeng Lou, Zhejiang (CN)**
(73) Assignee: **TOP-RANK HEALTH CARE CO.,**
LTD., Zhejiang (CN)

D787,686 S * 5/2017 Jeffery D24/187
D824,526 S * 7/2018 Ramjit D24/189
D854,697 S * 7/2019 Yang D24/200
D872,279 S * 1/2020 Dunphy D24/167
2012/0232634 A1* 9/2012 Fisher, III A61N 1/048
607/149
2017/0209684 A1* 7/2017 Axelgaard A61N 1/0452
2018/0317850 A1* 11/2018 Regan A61B 5/68335
2019/0104995 A1* 4/2019 Cantwell A61B 5/6847

(**) Term: **15 Years**
(21) Appl. No.: **29/730,742**
(22) Filed: **Apr. 8, 2020**

FOREIGN PATENT DOCUMENTS

GB 9007779210-0001 * 3/2020

* cited by examiner

Primary Examiner — Anhdao Doan

(74) *Attorney, Agent, or Firm* — McClure, Qualey & Rodack, LLP

(30) **Foreign Application Priority Data**

Mar. 27, 2020 (CN) 202030112040.1

(51) **LOC (13) Cl.** **24-02**

(52) **U.S. Cl.**
USPC **D24/168; D24/200**

(58) **Field of Classification Search**
USPC D24/107, 164, 165–169, 186, 187, 200,
D24/188, 189

CPC .. A61N 1/36; A61N 1/36014; A61N 1/36021;
A61N 1/36057; A61N 1/3605; A61N
1/36003; A61N 1/37211; A61N 1/37235;
A61N 1/3787; A61N 1/322; A61N
1/0404; A61N 1/0452; A61N 1/0456;
A61N 1/048

See application file for complete search history.

(57) **CLAIM**

The ornamental design for a TENS electrode, as shown and described.

DESCRIPTION

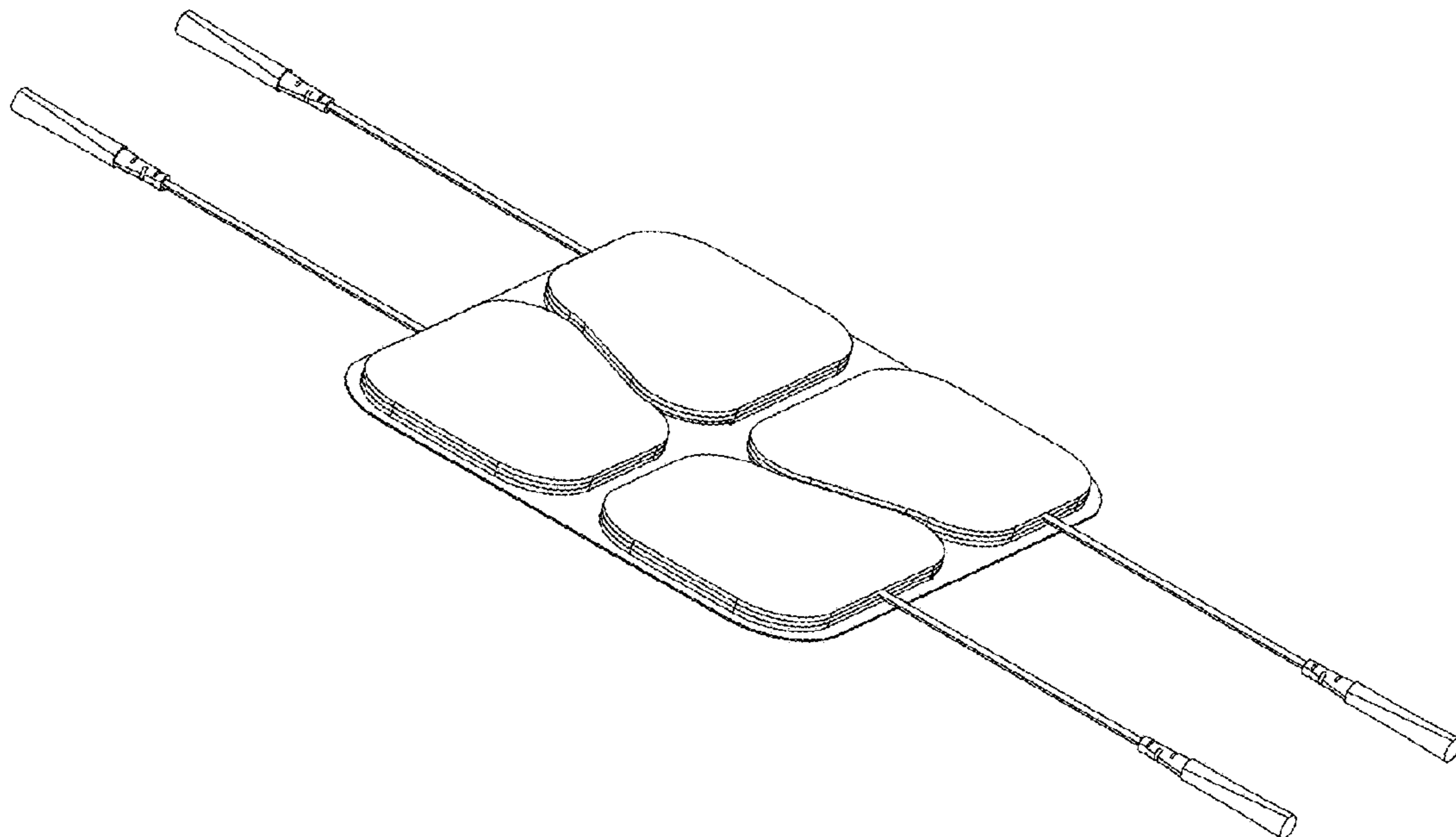
FIG. 1 is a perspective view of the TENS electrode;
FIG. 2 is a front elevational view thereof;
FIG. 3 is a rear side elevational view thereof;
FIG. 4 is a left side elevational view thereof;
FIG. 5 is a right side elevational view thereof;
FIG. 6 is a top plan view thereof; and,
FIG. 7 is a bottom plan view thereof.

(56) **References Cited**

U.S. PATENT DOCUMENTS

5,450,845 A * 9/1995 Axelgaard A61N 1/0492
600/382
D615,659 S * 5/2010 Anderson D24/187

1 Claim, 7 Drawing Sheets



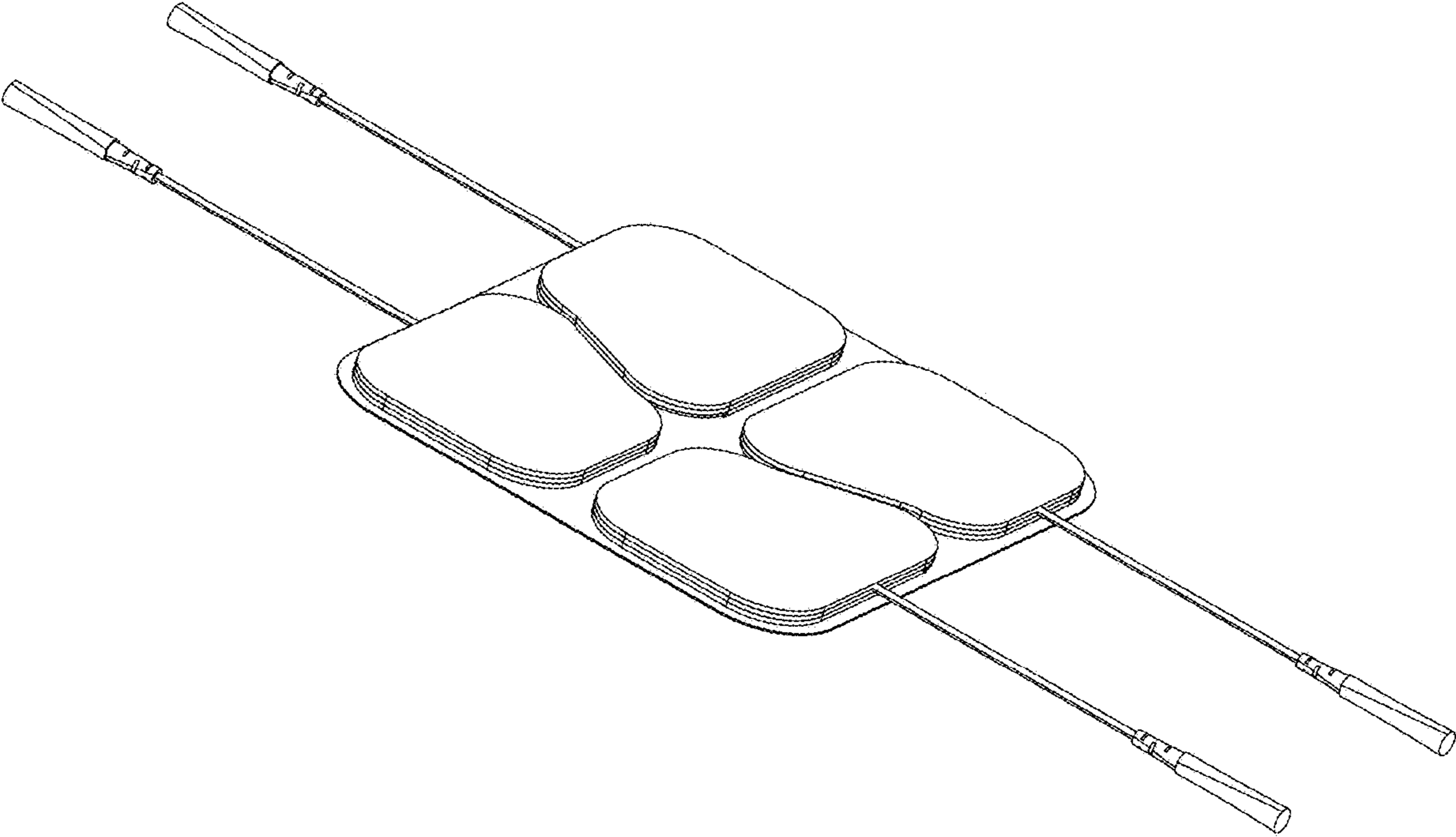


FIG.1

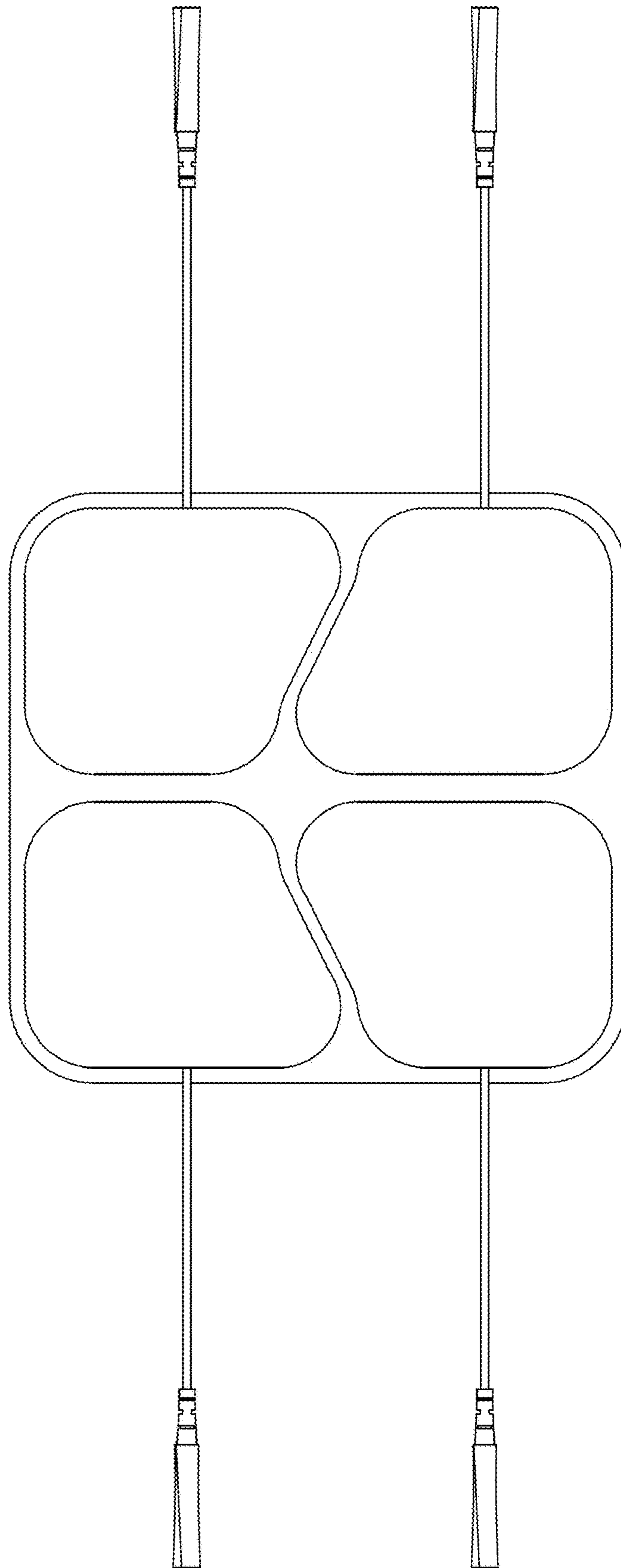


FIG.2

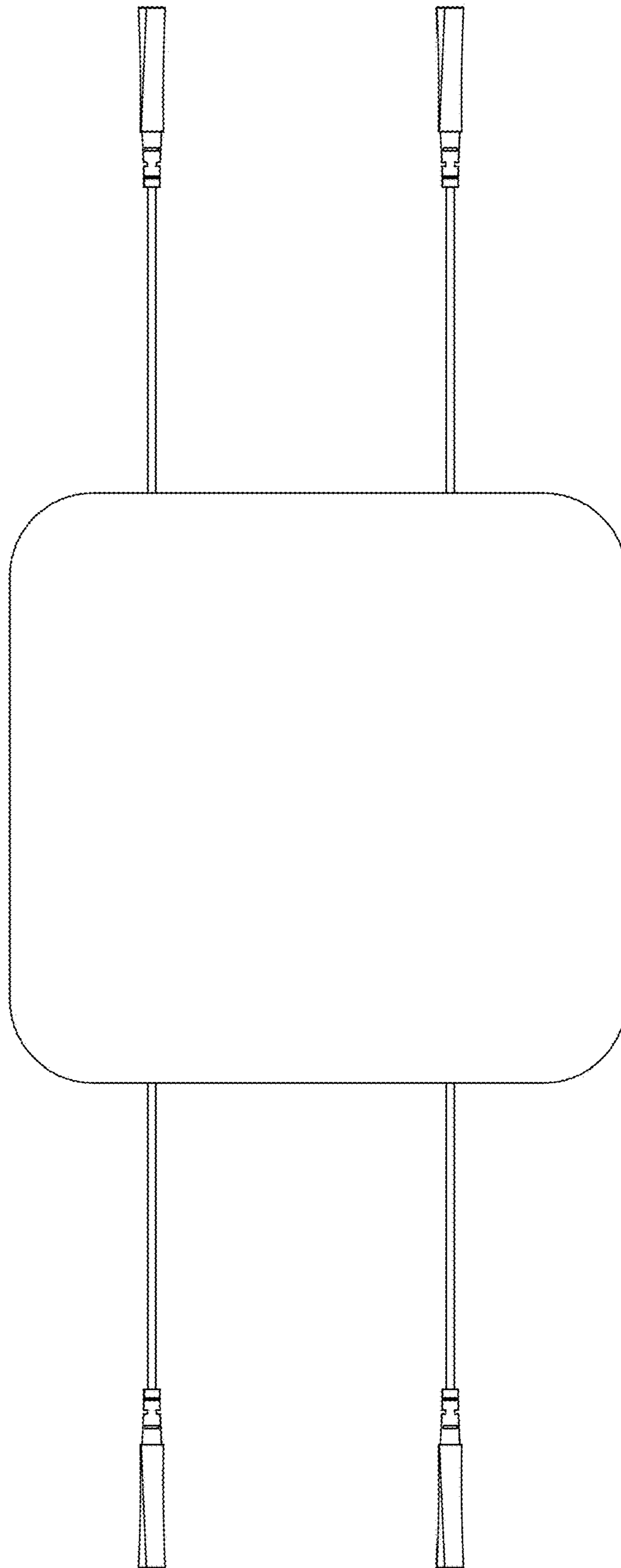


FIG.3



FIG.4



FIG.5

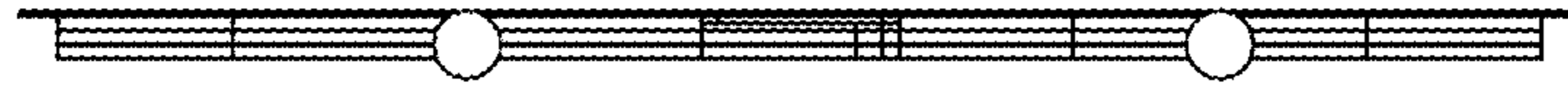


FIG.6

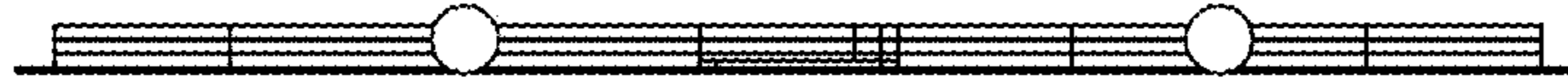


FIG.7