



US00D937415S

(12) **United States Design Patent** (10) **Patent No.:** **US D937,415 S**
Sweitzer et al. (45) **Date of Patent:** **** Nov. 30, 2021**

(54) **SURGICAL IMPLANT EXTRACTOR JAW**

(71) Applicant: **Shukla Medical**, St. Petersburg, FL (US)

(72) Inventors: **Zachary Robert Sweitzer**, Keyport, NJ (US); **Nicholas Christopher Keach**, Lutz, FL (US)

(73) Assignee: **Shukla Medical**, St. Petersburg, FL (US)

(**) Term: **15 Years**

(21) Appl. No.: **29/703,792**

(22) Filed: **Aug. 29, 2019**

(51) **LOC (13) Cl.** **24-02**

(52) **U.S. Cl.**
USPC **D24/133**

(58) **Field of Classification Search**
USPC D24/133, 128, 135, 155, 159, 183, 184, D24/190, 121, 127, 129, 130, 131, 112, D24/113, 114, 186, 108, 111, 115, 119, D24/137, 138, 147, 177, 214, 216, 222, D24/224, 143, 144, 145, 148, 149, 153; D15/140, 138; D8/71, 74, 321, 380, 382, D8/349, 394, 499; D28/7
CPC A61B 17/29; A61B 17/2909; A61B 17/30; A61B 17/0644; A61B 17/068; A61B 17/08; A61B 17/083; A61B 17/10; A61B 17/2937; A61B 18/1445; A61B 2017/2936; A61B 2017/2944; A61B 2017/2933

See application file for complete search history.

(56) **References Cited**

U.S. PATENT DOCUMENTS

2,645,471 A * 7/1953 King E21C 35/183
299/112 R
3,289,273 A * 12/1966 Artaud F16B 35/00
407/101

D248,086 S * 6/1978 Maxant D8/98
D284,832 S * 7/1986 Parker D8/380
D324,474 S * 3/1992 Killins D8/88
5,531,752 A * 7/1996 Netterville A61F 2/20
606/99
D471,925 S * 3/2003 Duginske D15/140
D479,970 S * 9/2003 Hutchinson D8/16
D539,316 S * 3/2007 Tempel D15/139
D576,278 S * 9/2008 Nalagatla D24/145
D594,118 S * 6/2009 Bergstraesser D24/128
D597,666 S * 8/2009 George D24/128
D605,762 S * 12/2009 Nalagatla D24/145
D624,764 S * 10/2010 Gates D6/381

(Continued)

Primary Examiner — T Chase Nelson

Assistant Examiner — Kelly L Gross

(74) *Attorney, Agent, or Firm* — Kim IP Law Group LLC

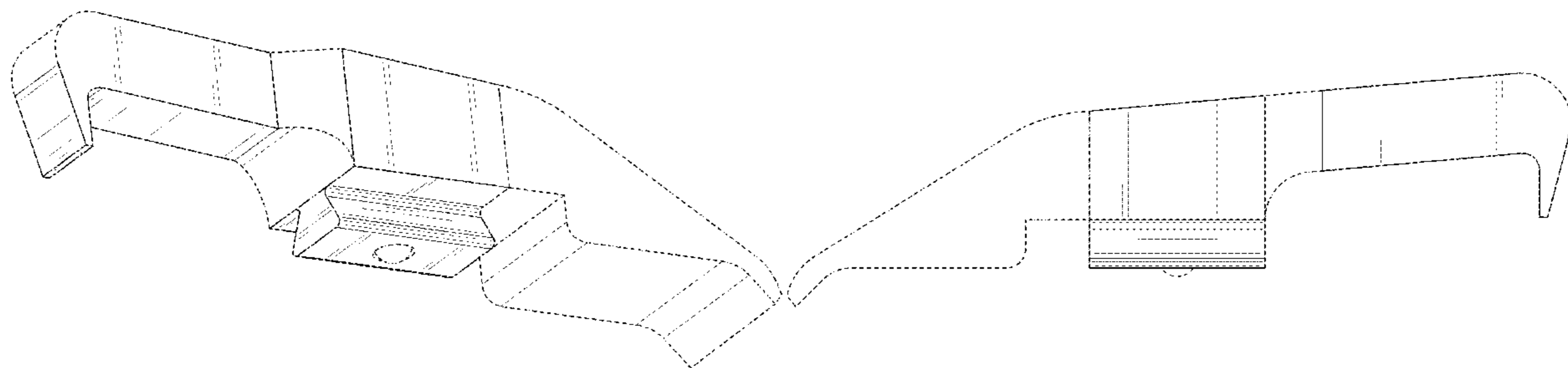
(57) **CLAIM**

The ornamental design for a surgical implant extractor jaw, as shown and described.

DESCRIPTION

FIG. 1 is a perspective view of a surgical implant extractor jaw in accordance with the new design;
FIG. 2 is a left side view of the surgical implant extractor jaw of FIG. 1;
FIG. 3 is a right side view of the surgical implant extractor jaw of FIG. 1;
FIG. 4 is a front view of the surgical implant extractor jaw of FIG. 1;
FIG. 5 is a rear view of the surgical implant extractor jaw of FIG. 1;
FIG. 6 is a top view of the surgical implant extractor jaw of FIG. 1; and,
FIG. 7 is a bottom view of the surgical implant extractor jaw of FIG. 1.
The broken lines in the figures are directed towards portions of the surgical implant extractor jaw that form no part of the claimed design.

1 Claim, 6 Drawing Sheets



(56)

References Cited

U.S. PATENT DOCUMENTS

D644,920 S * 9/2011 Price D8/395
 D686,748 S * 7/2013 Nakaji D24/227
 D704,755 S * 5/2014 Tempel D15/140
 8,979,890 B2 * 3/2015 Boudreaux A61B 18/1445
 606/207
 D729,044 S * 5/2015 Asai D8/356
 D746,456 S * 12/2015 Harrison D24/146
 D755,969 S * 5/2016 Gitman D24/146
 D760,389 S * 6/2016 Burdess D24/153
 D760,575 S * 7/2016 Werner D8/331
 D760,580 S * 7/2016 Pace D8/382
 D767,133 S * 9/2016 Gotfried D24/155
 D773,041 S * 11/2016 Lentsch D24/128
 D814,276 S * 4/2018 Ressler D8/382
 D832,682 S * 11/2018 Ebersole D8/356
 D835,964 S * 12/2018 Neubauer D8/72
 D838,847 S * 1/2019 Zhang D24/143
 D848,496 S * 5/2019 Maeta F16B 35/00
 D15/139
 D850,619 S * 6/2019 Saubers D24/154

D865,175 S * 10/2019 Widenhouse D24/145
 D865,491 S * 11/2019 Noack D8/356
 D869,252 S * 12/2019 Gouedy D8/14
 D870,407 S * 12/2019 Cohen D32/61
 D871,897 S * 1/2020 Wellington D8/367
 D876,937 S * 3/2020 Heindl D8/382
 D882,079 S * 4/2020 Melkent D24/133
 D888,349 S * 6/2020 Yoo D30/158
 D888,945 S * 6/2020 Yemane-Tekeste D24/129
 D889,651 S * 7/2020 Coulson D24/144
 D893,717 S * 8/2020 Messerly A61B 17/07207
 D24/145
 D898,914 S * 10/2020 Niver D24/147
 D899,674 S * 10/2020 He D26/138
 D903,867 S * 12/2020 Van Wyk D24/146
 D904,611 S * 12/2020 Kuchta D24/144
 D906,781 S * 1/2021 Kukucka D8/71
 D907,200 S * 1/2021 Baril D24/128
 D907,203 S * 1/2021 Pilletere D24/143
 D909,437 S * 2/2021 Sorai D15/139
 D914,121 S * 3/2021 McGowan D21/774
 D914,878 S * 3/2021 Shelton, IV D24/145
 D915,622 S * 4/2021 Yang D25/68

* cited by examiner

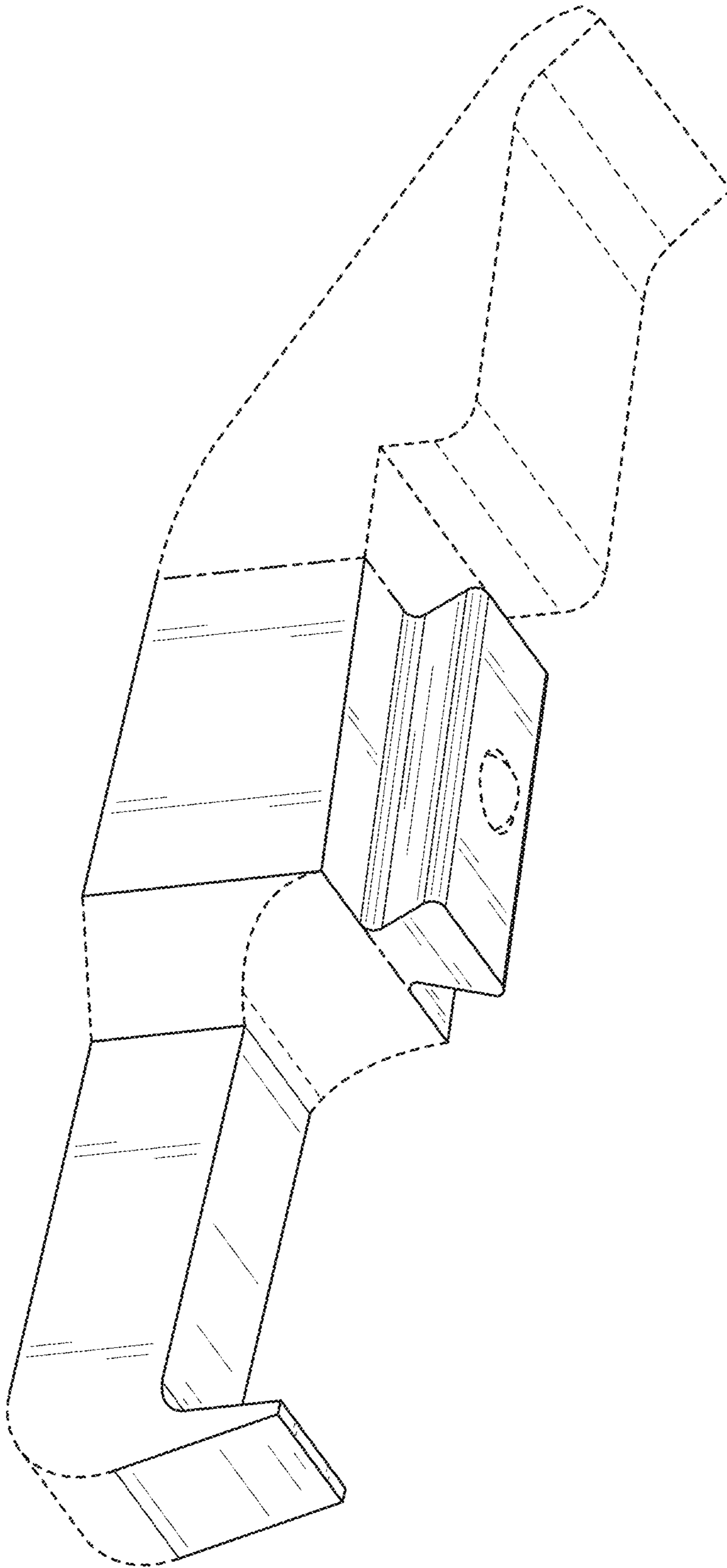


FIG. 1

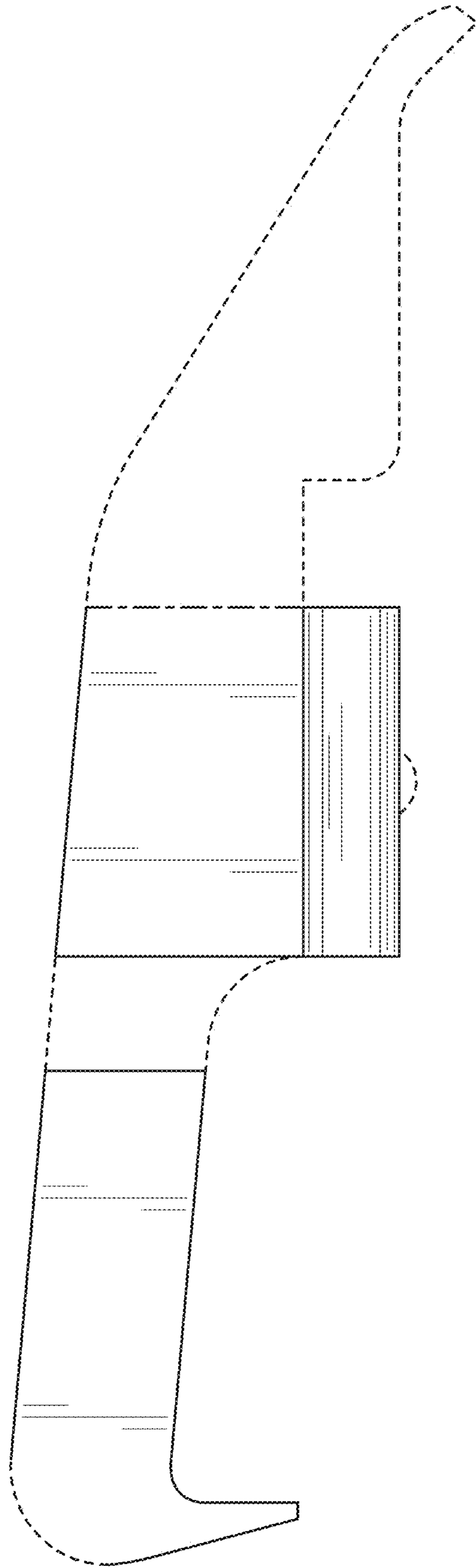


FIG. 2

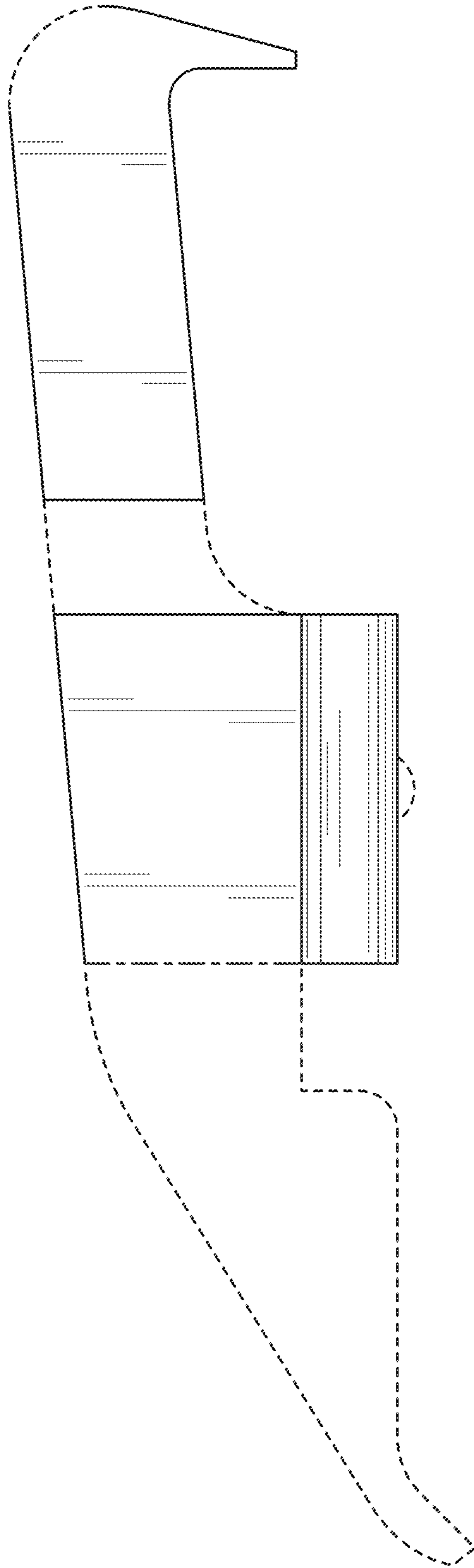


FIG. 3

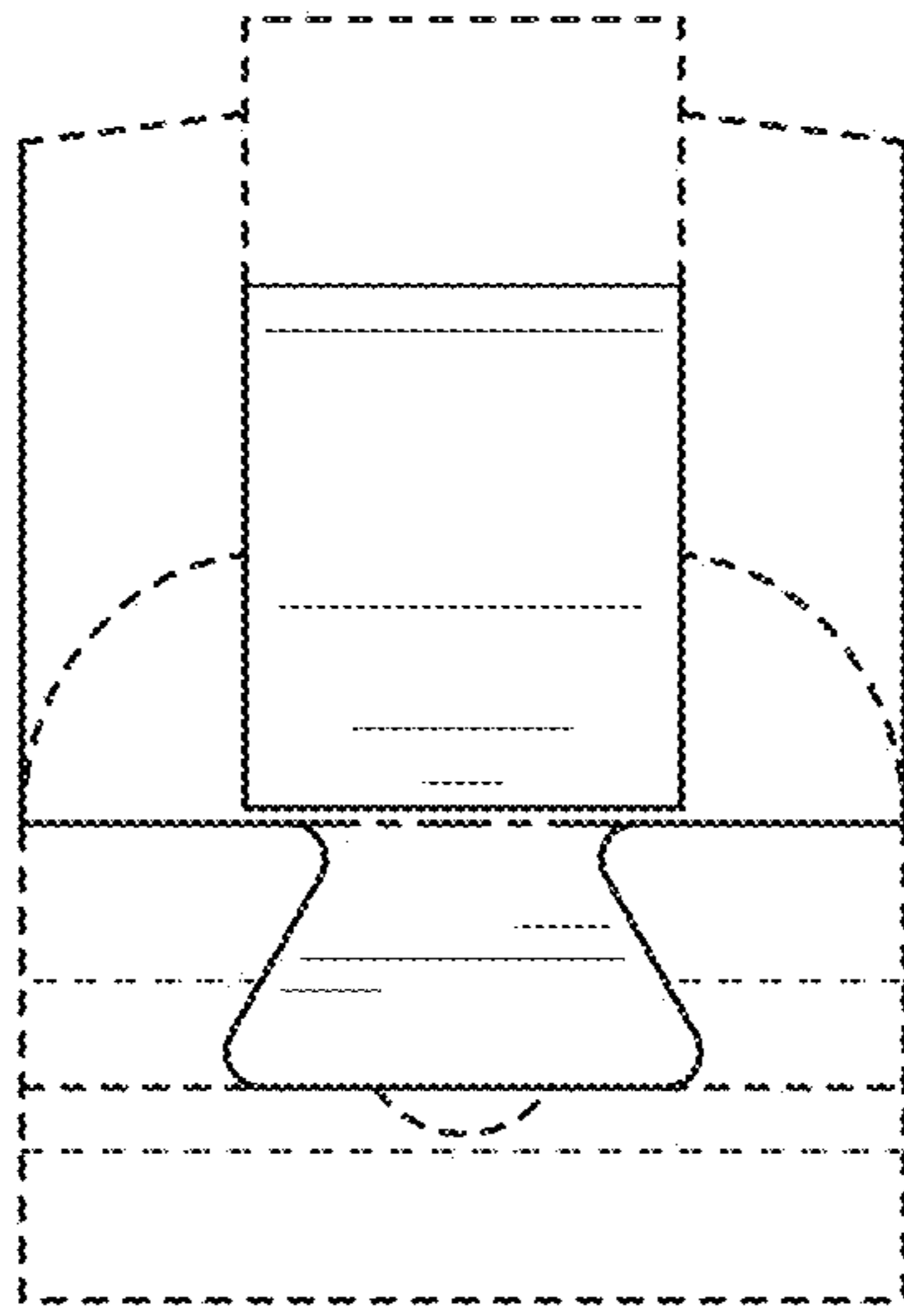


FIG. 4

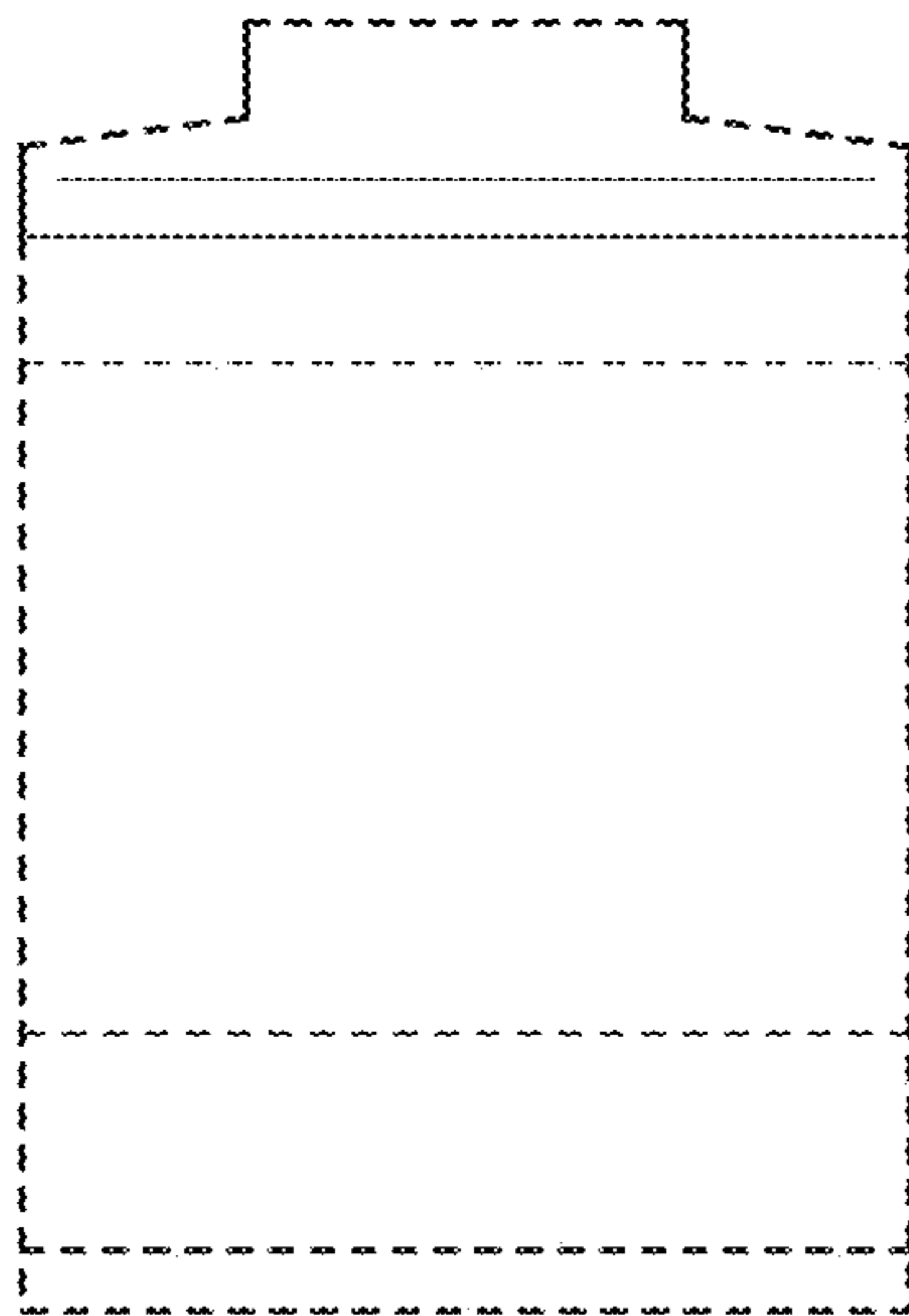


FIG. 5

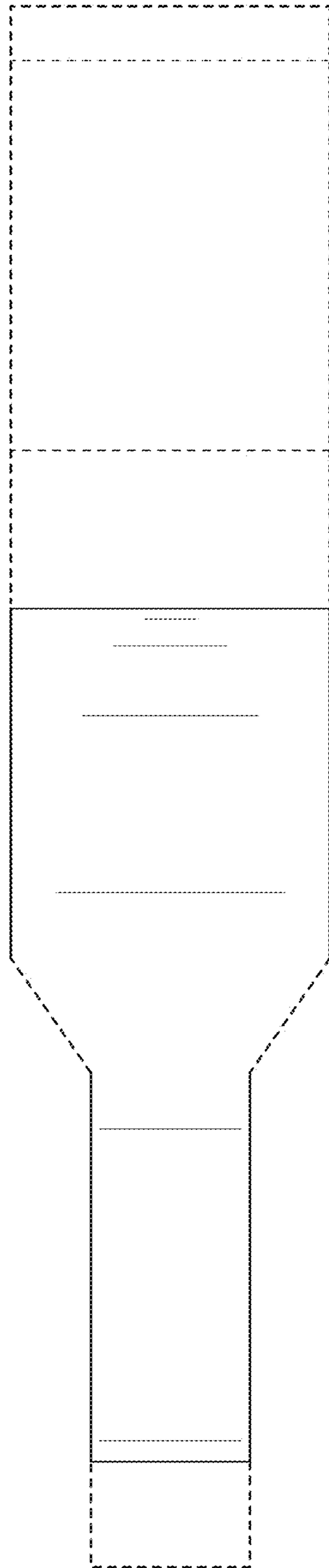


FIG. 6

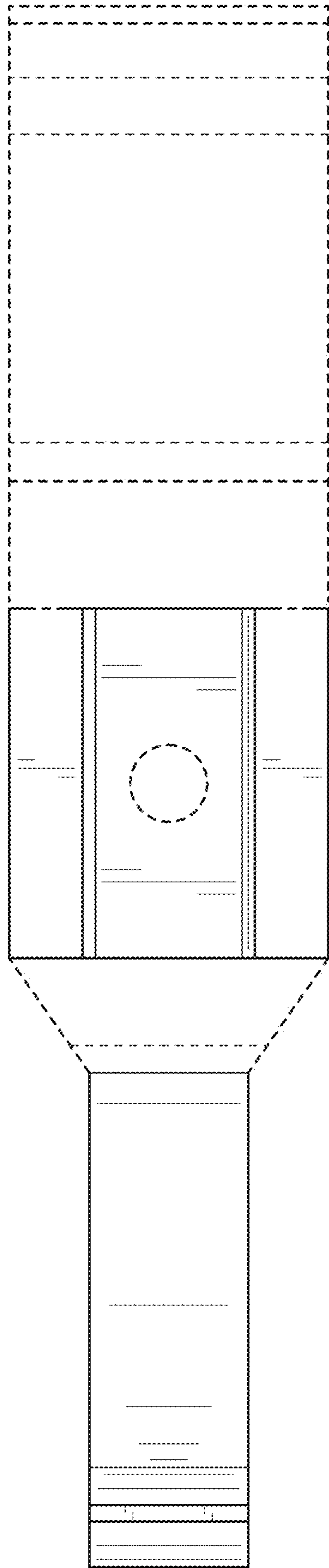


FIG. 7