



US00D937412S

(12) **United States Design Patent** (10) **Patent No.:** **US D937,412 S**
Ubbesen (45) **Date of Patent:** **** Nov. 30, 2021**

(54) **PORTABLE MEDICAL MONITOR CONNECTOR**

FOREIGN PATENT DOCUMENTS

(71) Applicant: **AMBU A/S**, Ballerup (DK)

CN 306421849 * 3/2021
EM 008128292-0004 * 8/2020

(72) Inventor: **Line Sandahl Ubbesen**, Holte (DK)

OTHER PUBLICATIONS

(73) Assignee: **AMBU A/S**, Ballerup (DK)

Redel P Self-latching plastic connectors with alignment key for medical applications, lemo.com, [First posted Jan. 15, 2020], [Site Visted Aug. 12, 2021], Seen at URL: <https://www.lemo.com/en/products/plastic-connector/redel-p> (Year: 2020).*

(**) Term: **15 Years**

* cited by examiner

(21) Appl. No.: **29/725,076**

(22) Filed: **Feb. 21, 2020**

(51) **LOC (13) Cl.** **13-03**

(52) **U.S. Cl.**
USPC **D24/129**; D13/146

(58) **Field of Classification Search**
USPC D24/127, 129; D13/118, 120, 133,
D13/137.1, 137.2, 139.1, 139.3, 139.4,
D13/139.7, 154-155
CPC ... H01R 13/6205; H01R 13/62; H01R 12/721
See application file for complete search history.

Primary Examiner — Natasha Vujcic
Assistant Examiner — Gilbert B Ford

(74) *Attorney, Agent, or Firm* — Faegre Drinker Biddle & Reath LLP

(57) **CLAIM**

The ornamental design for a portable medical monitor connector, as shown and described.

(56) **References Cited**

DESCRIPTION

U.S. PATENT DOCUMENTS

D587,202 S *	2/2009	Dobler	D13/133
D620,452 S *	7/2010	Corless	D13/154
D698,730 S *	2/2014	Hori	D13/146
D715,227 S *	10/2014	Leem	D13/146
D824,856 S *	8/2018	Corona	D13/146
D824,862 S *	8/2018	Corona	D13/149
D834,531 S *	11/2018	Maroney	D13/154
D840,341 S *	2/2019	Menolotto	D13/133
D847,092 S *	4/2019	Kelley	D13/133
D847,747 S *	5/2019	Rasmussen	D13/133
D851,759 S *	6/2019	Jones	D24/129
D873,220 S *	1/2020	Ishiguro	D13/133
D896,182 S *	9/2020	Corona	D13/146
D908,627 S *	1/2021	Ender	D13/133
D917,396 S *	4/2021	Assmann	D13/133
11,011,871 B2 *	5/2021	Fujiwara	H01R 13/622
D924,157 S *	7/2021	Kaplan	D13/146

FIG. 1 is a front perspective view of a portable medical monitor connector showing my new design in a second embodiment;

FIG. 2 is a front view thereof;

FIG. 3 is a rear view thereof;

FIG. 4 is a right side view thereof;

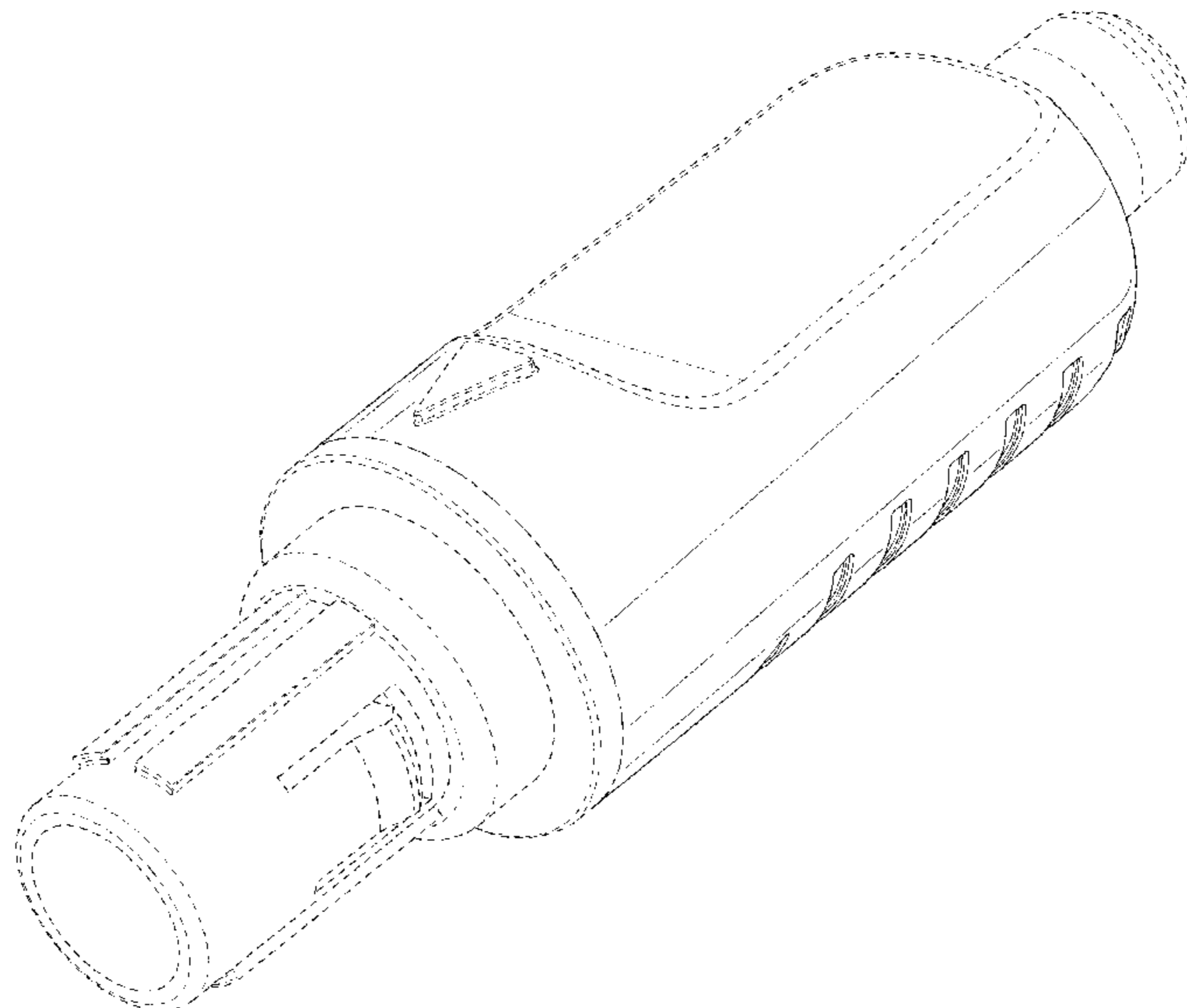
FIG. 5 is a left side view thereof;

FIG. 6 is a top view thereof; and,

FIG. 7 is a bottom view thereof.

Uniformly-sized broken lines illustrate features of the portable medical monitor connector that form no part of the claimed design. Long-short broken lines illustrate boundaries of the claim and form no part of the claimed design.

1 Claim, 6 Drawing Sheets



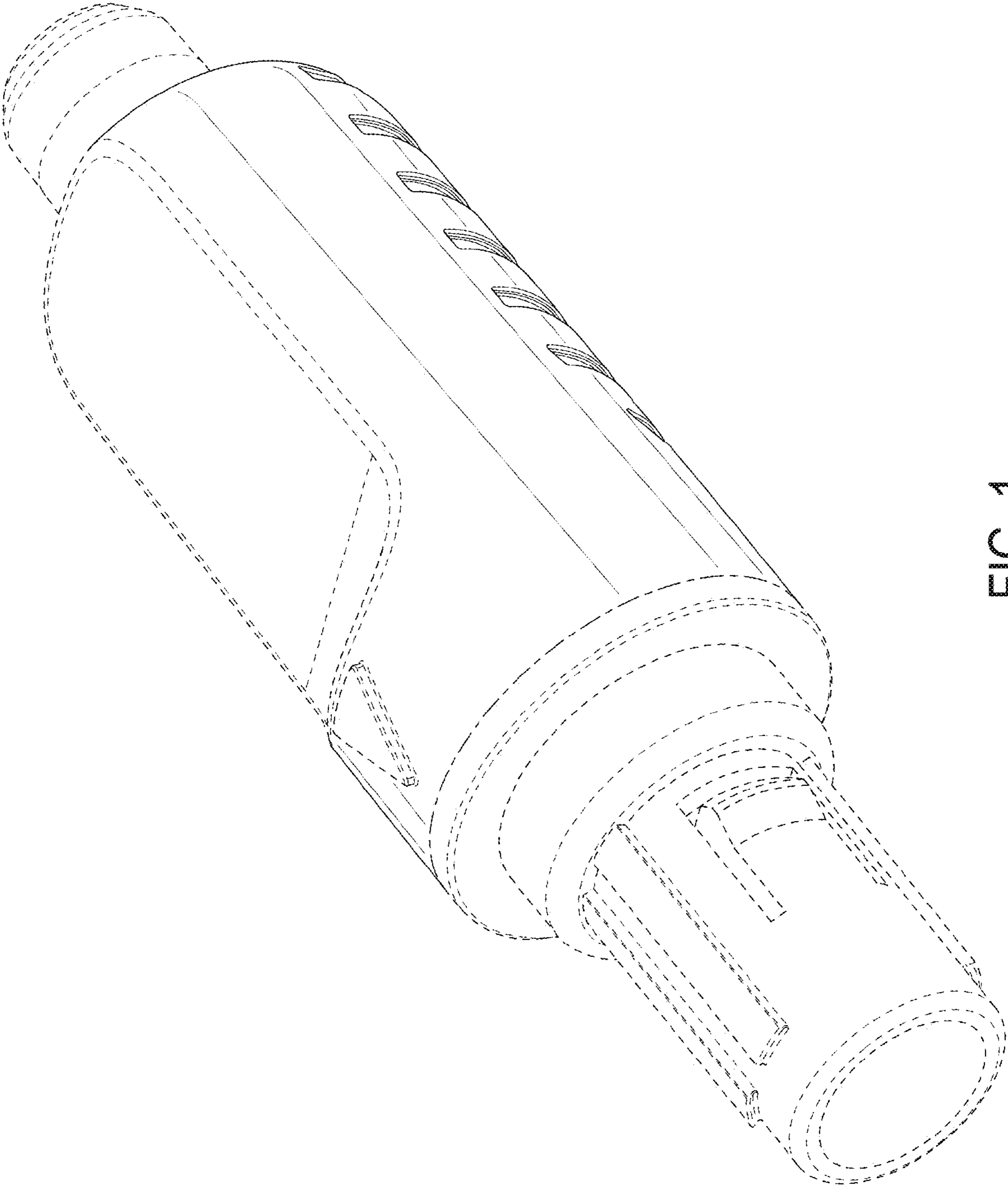


FIG. 1

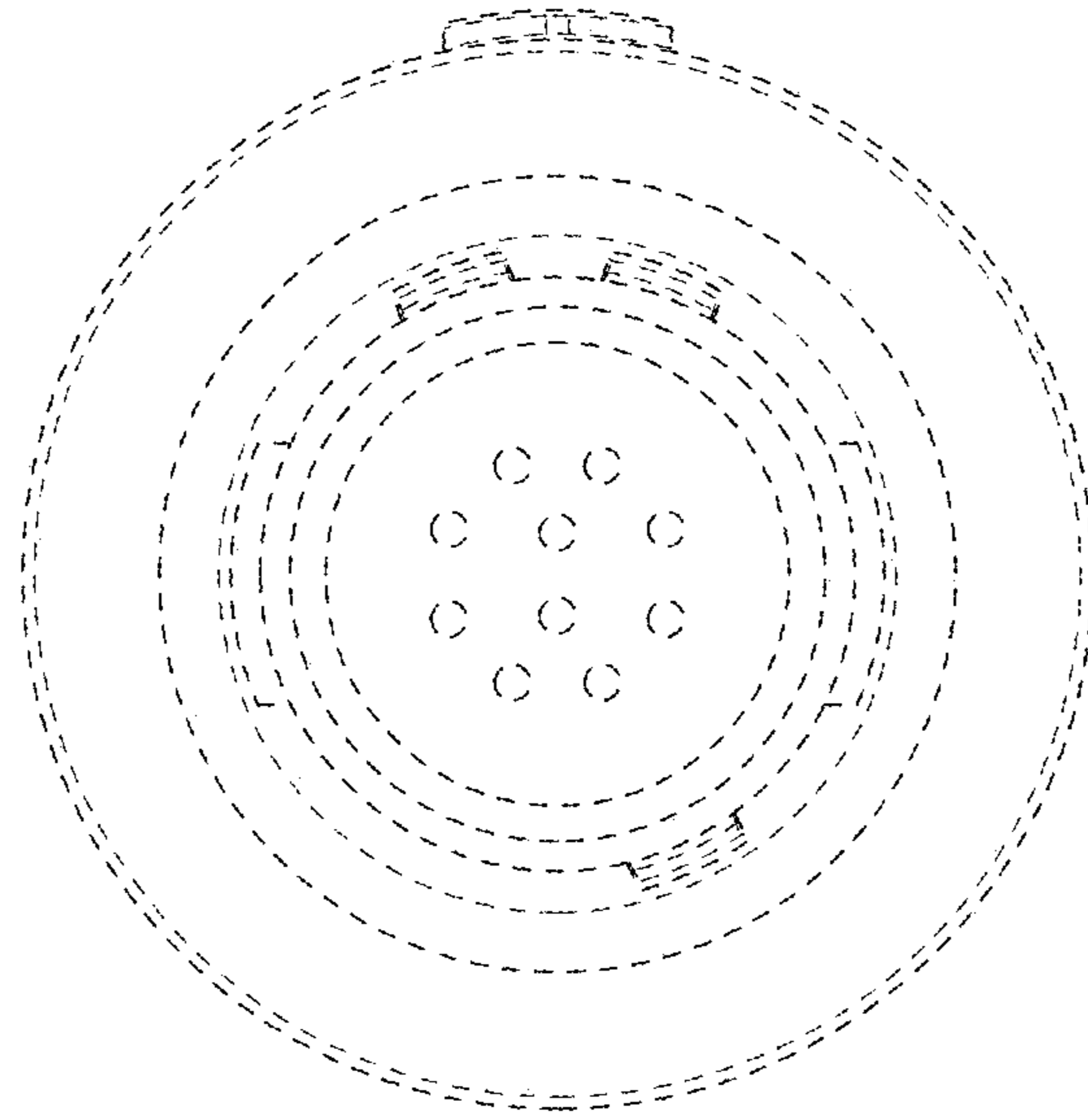


FIG. 2

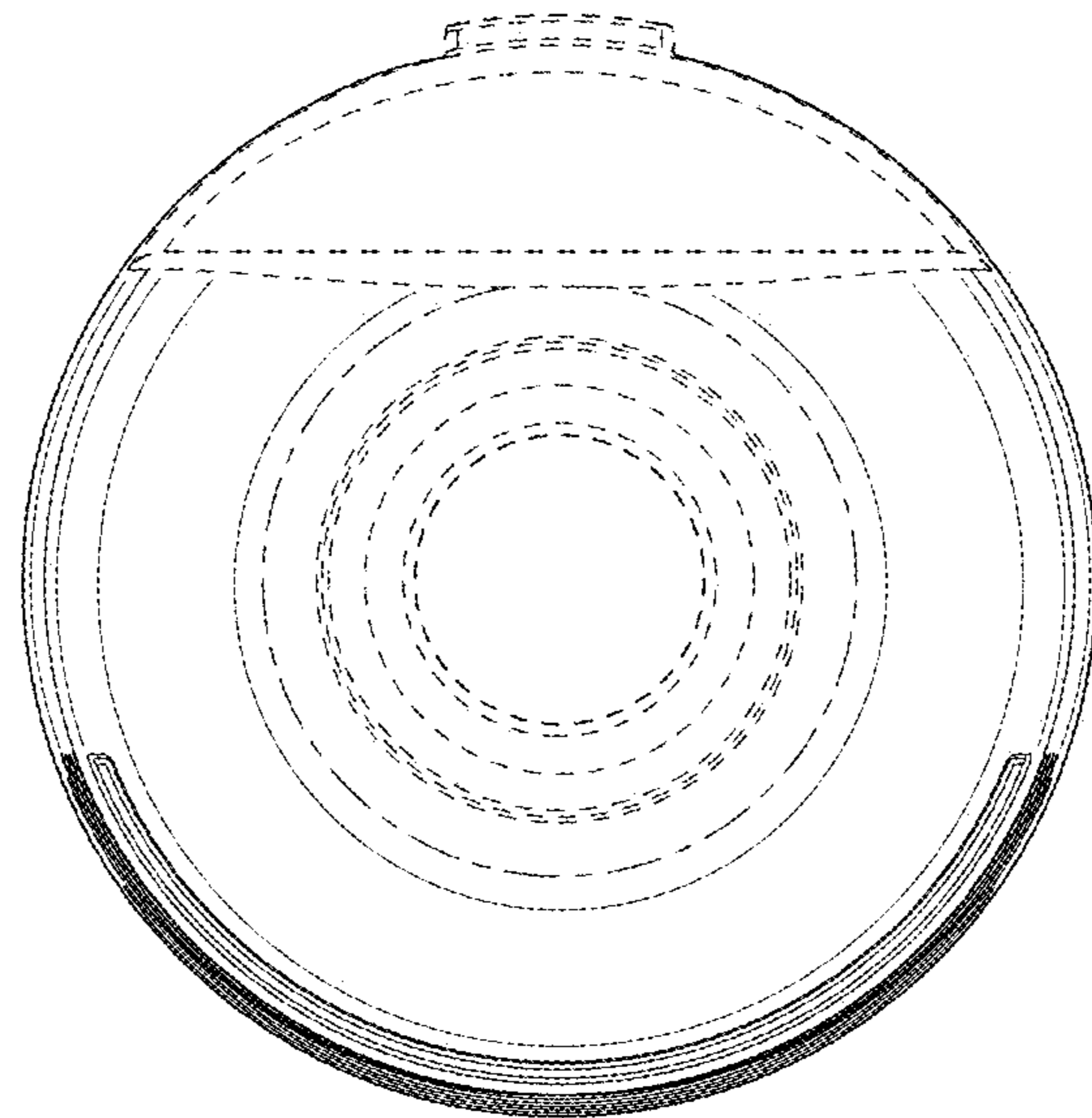


FIG. 3

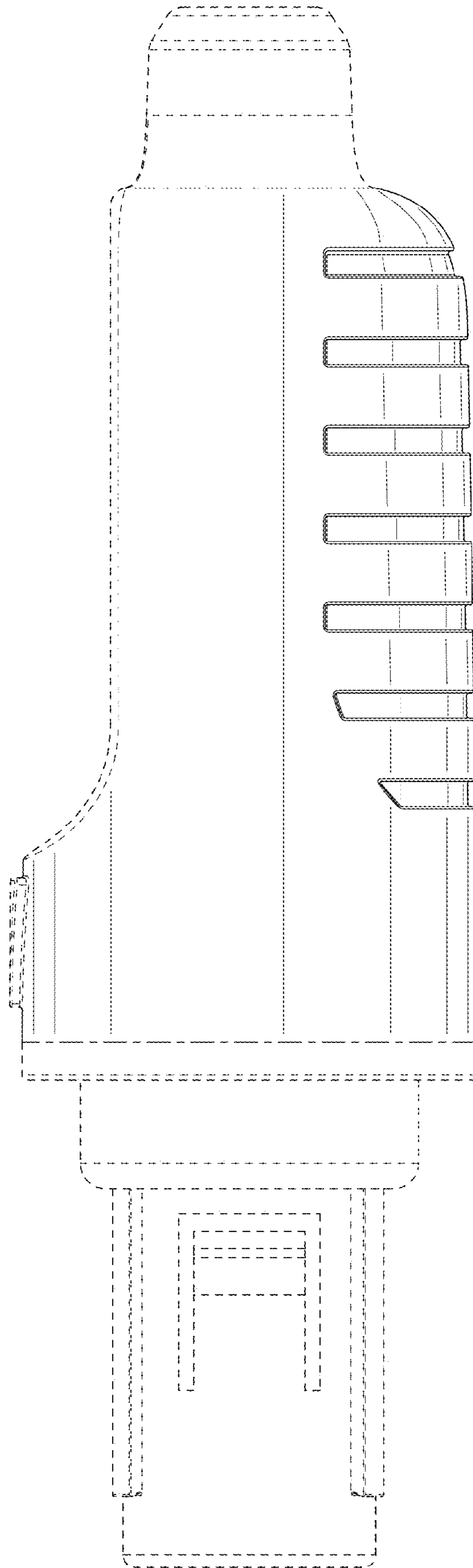


FIG. 4

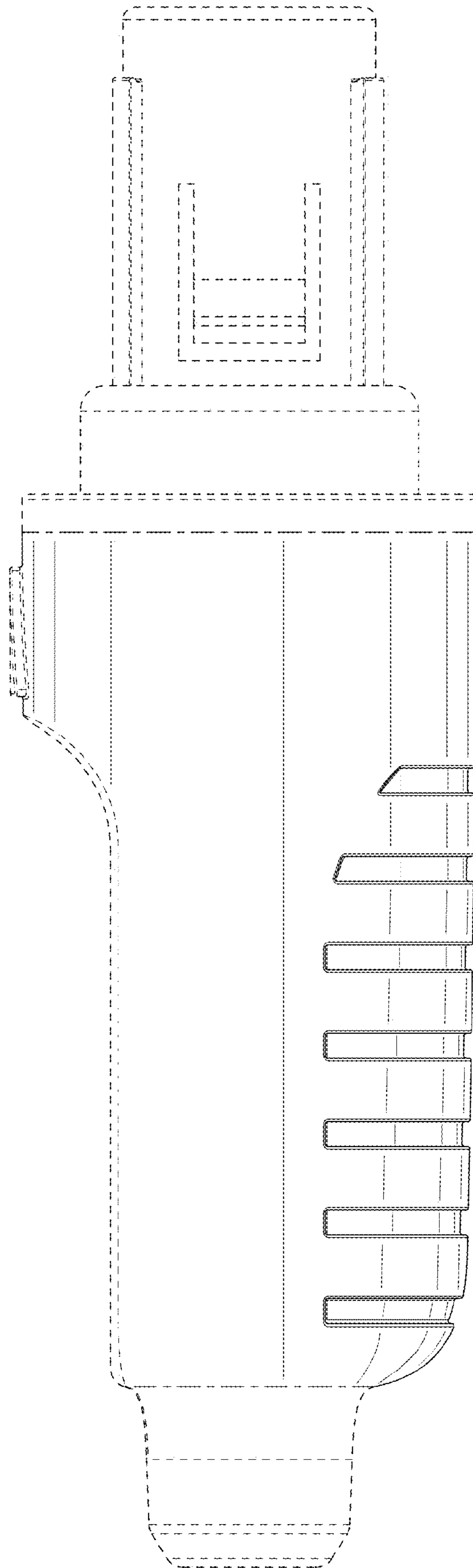


FIG. 5

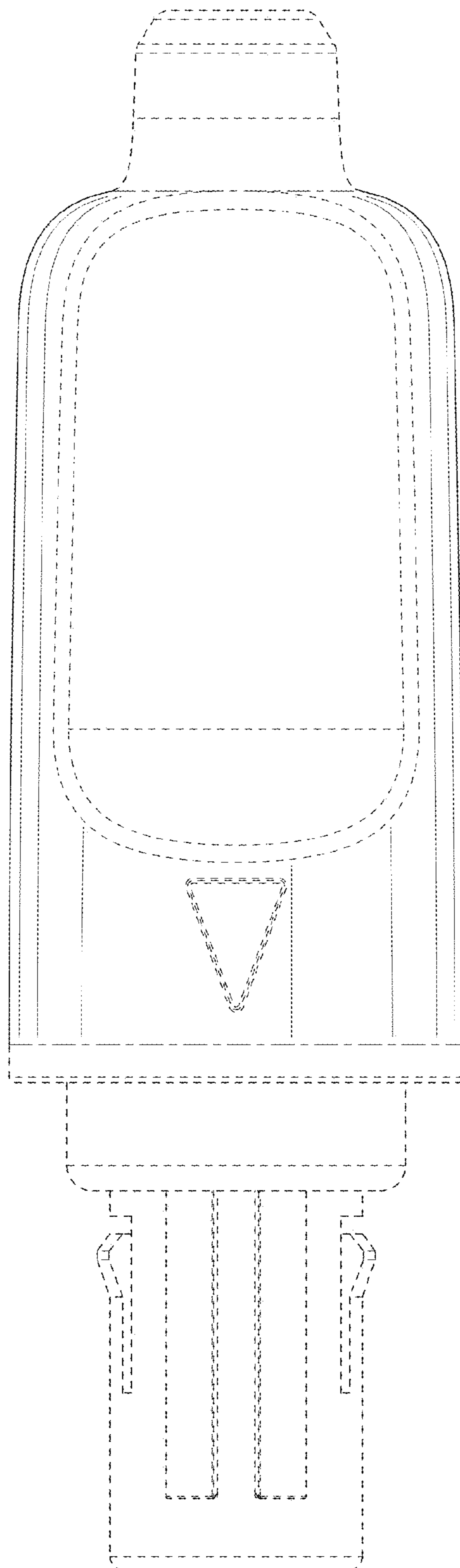


FIG. 6

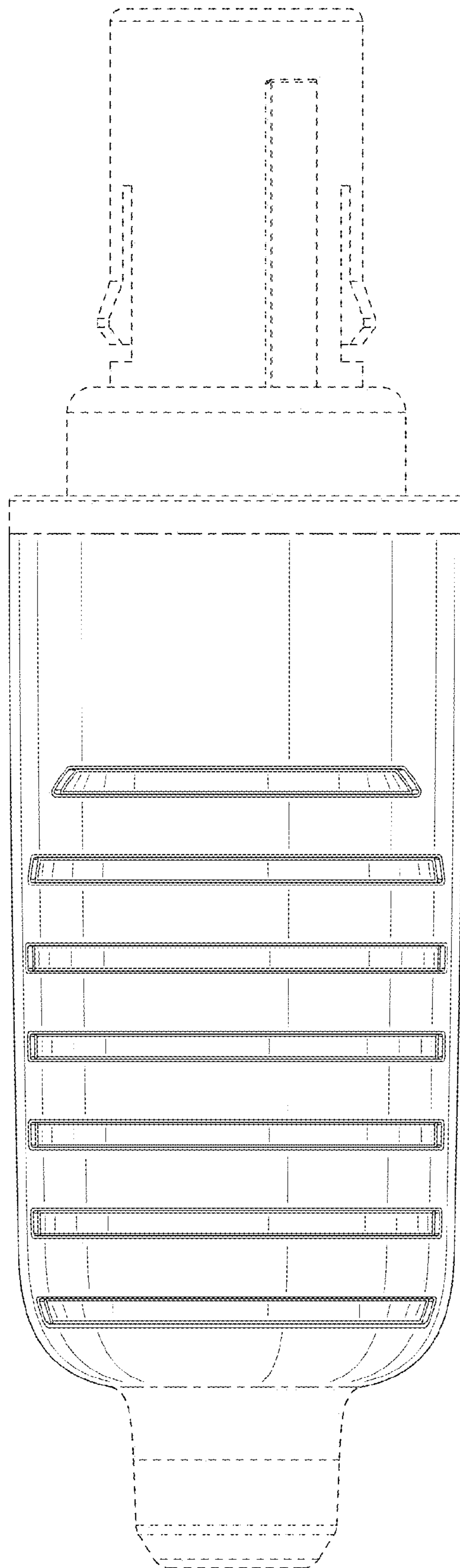


FIG. 7