



US00D937410S

(12) **United States Design Patent** (10) **Patent No.:** **US D937,410 S**
Azapagic et al. (45) **Date of Patent:** **** Nov. 30, 2021**

(54) **ADMINISTRATION SET FOR INFUSION PUMP**

DESCRIPTION

(71) Applicant: **CURLIN MEDICAL INC.**, Elma, NY (US)

(72) Inventors: **Azur Azapagic**, Cottonwood Heights, UT (US); **Douglas Paul Orr**, Draper, UT (US); **Daniel Martel**, Stansbury Park, UT (US)

(73) Assignee: **CURLIN MEDICAL INC.**, Elma, NY (US)

(**) Term: **15 Years**

(21) Appl. No.: **29/749,753**

(22) Filed: **Sep. 9, 2020**

Related U.S. Application Data

(62) Division of application No. 29/673,676, filed on Dec. 17, 2018, now Pat. No. Des. 896,371.

(51) **LOC (13) Cl.** **24-02**

(52) **U.S. Cl.**
USPC **D24/128**

(58) **Field of Classification Search**
USPC D24/127-131, 112-114, 133, 186; 606/181, 185; 604/264, 523-528, 272, (Continued)

(56) **References Cited**

U.S. PATENT DOCUMENTS

D399,315 S * 10/1998 Fulk D24/114
D502,773 S * 3/2005 Abry D24/128
(Continued)

Primary Examiner — Nathan M Johnston

(74) *Attorney, Agent, or Firm* — Hodgson Russ LLP

(57) **CLAIM**

The ornamental design for an administration set for infusion pump, as shown and described.

The file of this patent contains at least one drawing/photograph executed in color. Copies of this patent with color drawing(s)/photograph(s) will be provided by the Office upon request and payment of the necessary fee.

FIG. 1 is a front elevation view of an administration set for infusion pump according to a first embodiment;

FIG. 2 is a rear elevation view thereof;

FIG. 3 is a right side elevation view thereof;

FIG. 4 is a left side elevation view thereof;

FIG. 5 is a bottom plan view thereof;

FIG. 6 is a top plan view thereof;

FIG. 7 is a rear-right-top perspective view thereof;

FIG. 8 is a rear-left-top perspective view thereof;

FIG. 9 is a front-left-top perspective view thereof;

FIG. 10 is a front-right-top perspective view thereof;

FIG. 11 is a rear-right-bottom perspective view thereof;

FIG. 12 is a rear-left-bottom perspective view thereof;

FIG. 13 is a front-left-bottom perspective view thereof;

FIG. 14 is a front-right-bottom perspective view thereof;

FIG. 15 is a front elevation view of an administration set for infusion pump according to a second embodiment;

FIG. 16 is a rear elevation view thereof;

FIG. 17 is a right side elevation view thereof;

FIG. 18 is a left side elevation view thereof;

FIG. 19 is a bottom plan view thereof;

FIG. 20 is a top plan view thereof;

FIG. 21 is a rear-right-top perspective view thereof;

FIG. 22 is a rear-left-top perspective view thereof;

FIG. 23 is a front-left-top perspective view thereof;

FIG. 24 is a front-right-top perspective view thereof;

FIG. 25 is a rear-right-bottom perspective view thereof;

FIG. 26 is a rear-left-bottom perspective view thereof;

FIG. 27 is a front-left-bottom perspective view thereof;

FIG. 28 is a front-right-bottom perspective view thereof;

FIG. 29 is a front elevation view of an administration set for infusion pump according to a third embodiment;

FIG. 30 is a rear elevation view thereof;

FIG. 31 is a right side elevation view thereof;

FIG. 32 is a left side elevation view thereof;

FIG. 33 is a bottom plan view thereof;

FIG. 34 is a top plan view thereof;

FIG. 35 is a rear-right-top perspective view thereof;

(Continued)

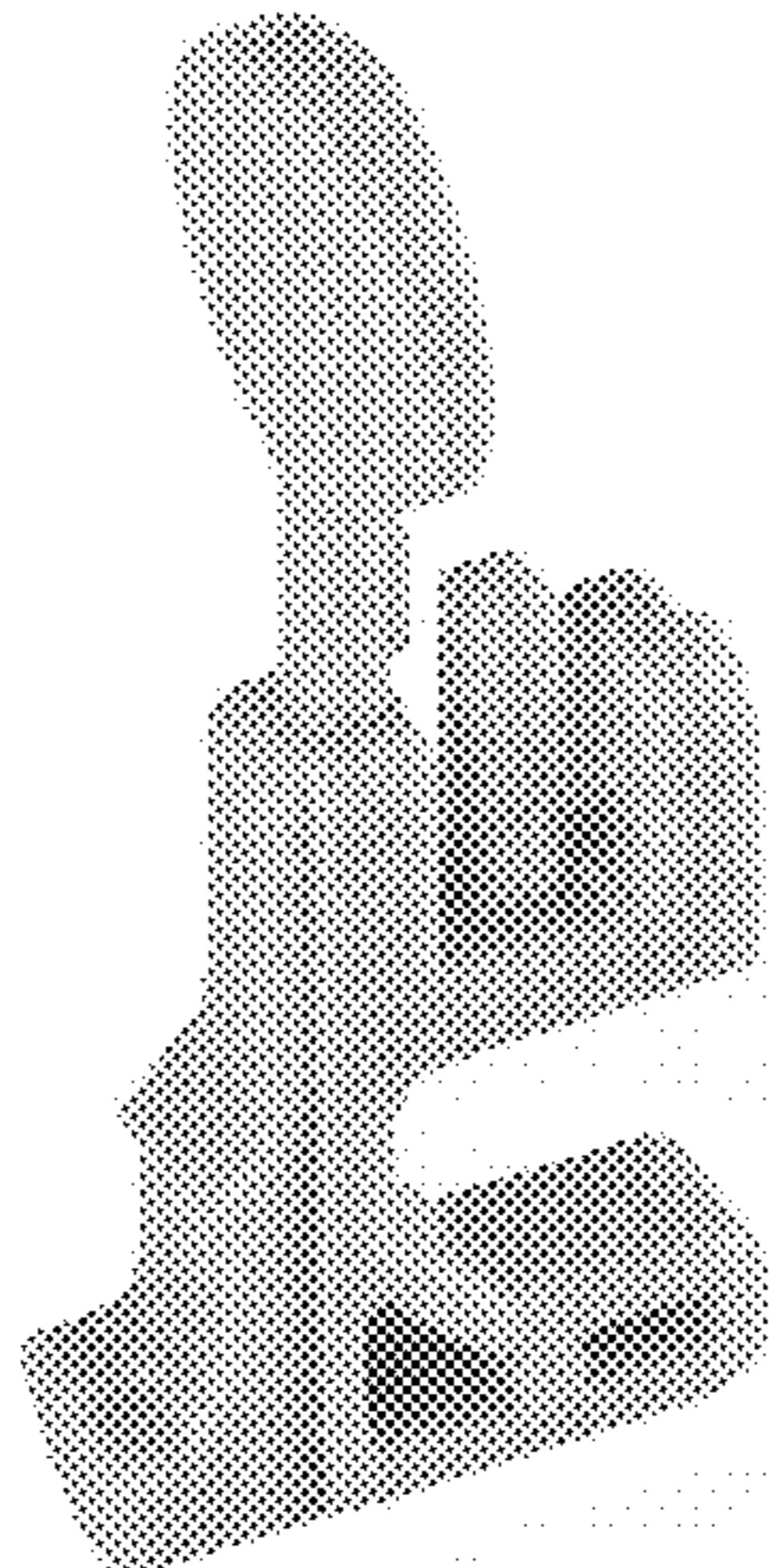


FIG. 36 is a rear-left-top perspective view thereof;
FIG. 37 is a front-left-top perspective view thereof;
FIG. 38 is a front-right-top perspective view thereof;
FIG. 39 is a rear-right-bottom perspective view thereof;
FIG. 40 is a rear-left-bottom perspective view thereof;
FIG. 41 is a front-left-bottom perspective view thereof; and,
FIG. 42 is a front-right-bottom perspective view thereof.

1 Claim, 42 Drawing Sheets
(28 of 42 Drawing Sheet(s) Filed in Color)

(58) **Field of Classification Search**

USPC 604/187, 158, 164.01–164.11, 181, 184,
604/227; 600/101, 139, 143;
128/200.24, 207.14, 207.15
CPC ... G16H 40/63; G16H 20/17; A61M 5/14228;
A61M 5/16881; A61M 2205/14; A61M
2205/3306; A61M 2205/3317; A61M

2205/332; A61M 2205/3375; A61M
2205/502; A61M 2205/52; A61M 2205/60
See application file for complete search history.

(56)

References Cited

U.S. PATENT DOCUMENTS

D526,410 S *	8/2006	Phillips	D24/135
D613,405 S *	4/2010	Sauer	D24/140
D732,009 S *	6/2015	Bak	D14/229
D751,702 S *	3/2016	Eaton	D24/128
D757,957 S *	5/2016	Moshfegh	D24/224
D796,667 S *	9/2017	Manandhar	D24/128
D808,012 S *	1/2018	Eaton	D24/128
D822,202 S *	7/2018	Roth	D24/128
D822,830 S *	7/2018	Aten	D24/128
D824,026 S *	7/2018	Eaton	D24/128
D838,365 S *	1/2019	Eaton	D24/128

* cited by examiner



Fig. 1

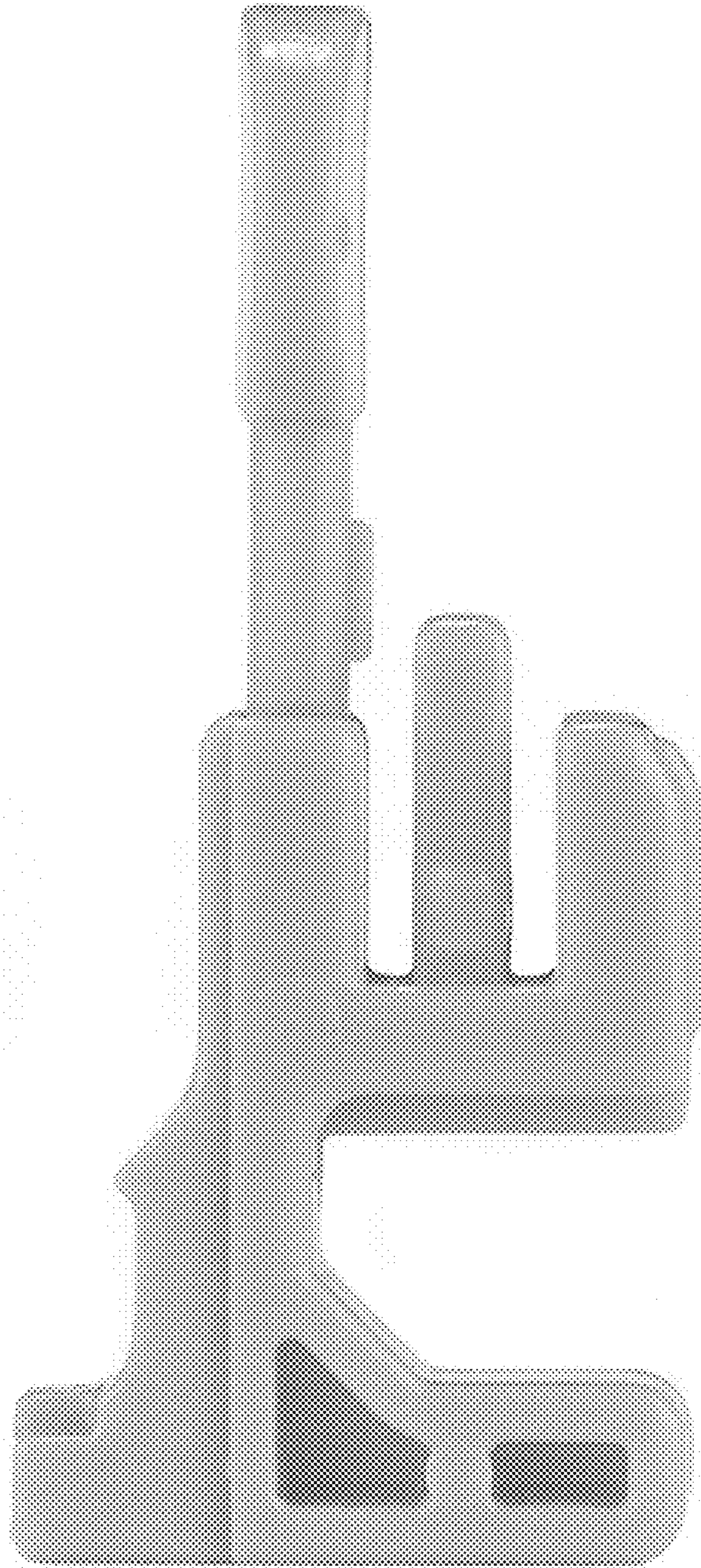


Fig. 2

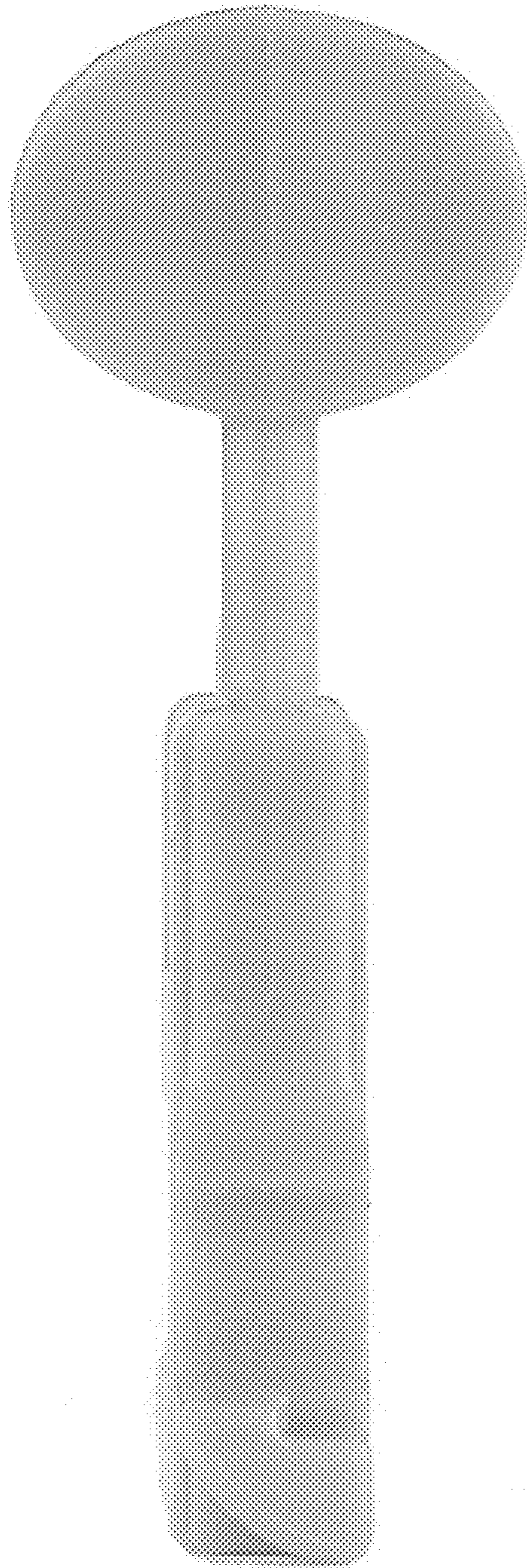


Fig. 3

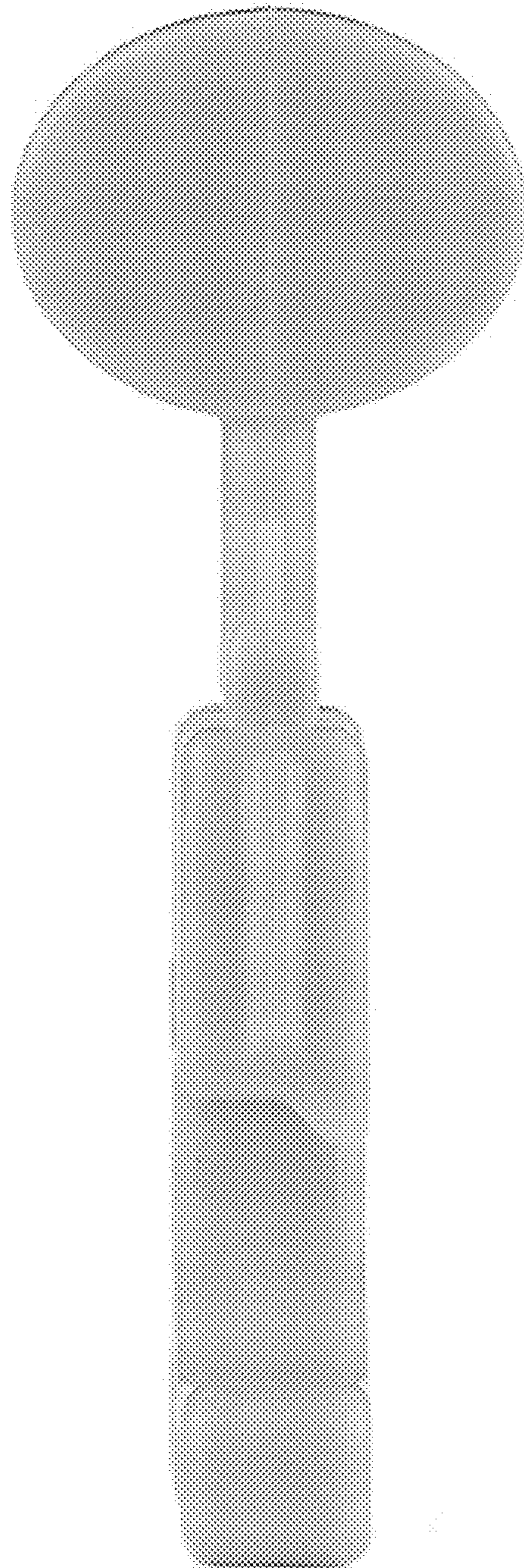


Fig. 4

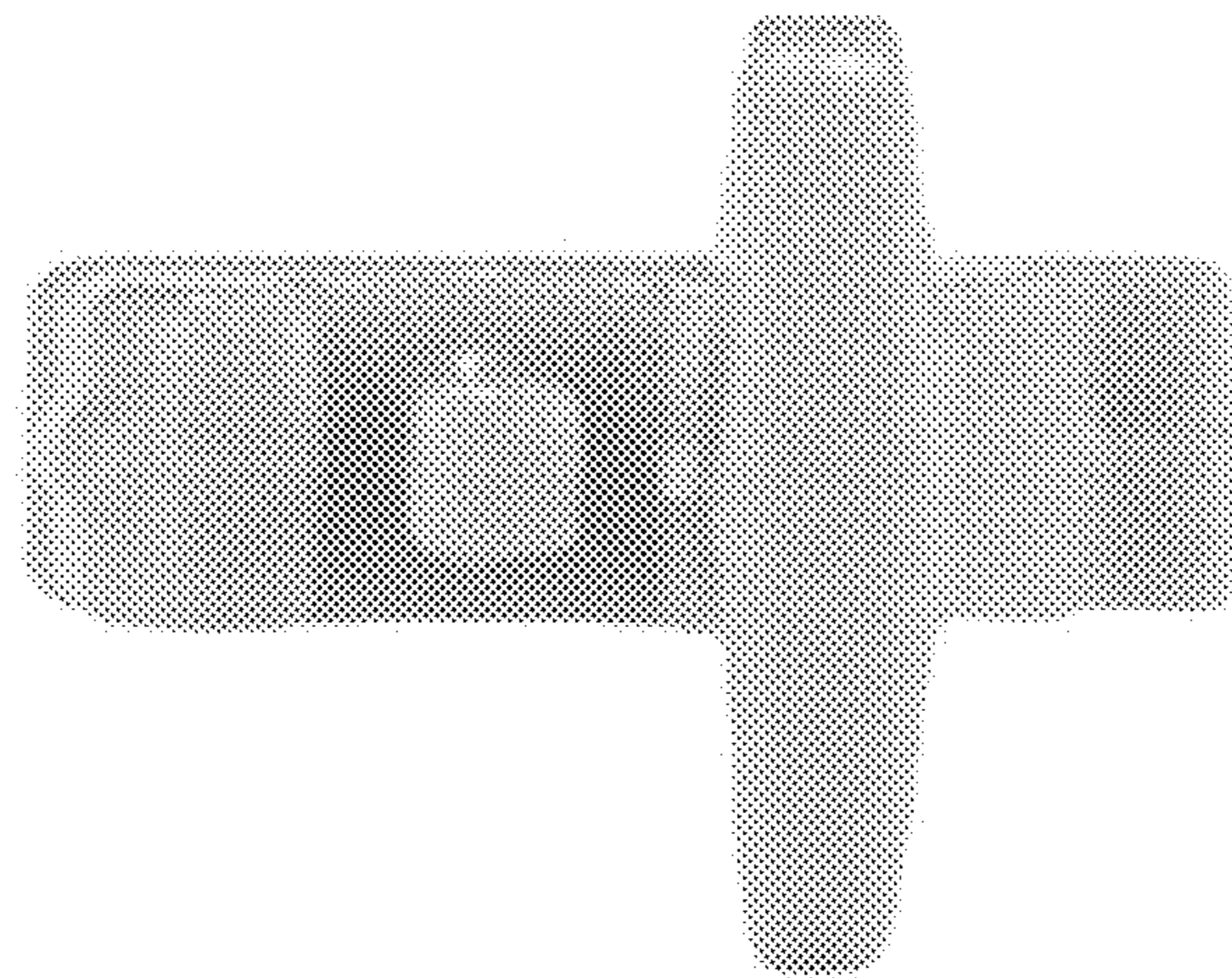


Fig. 5

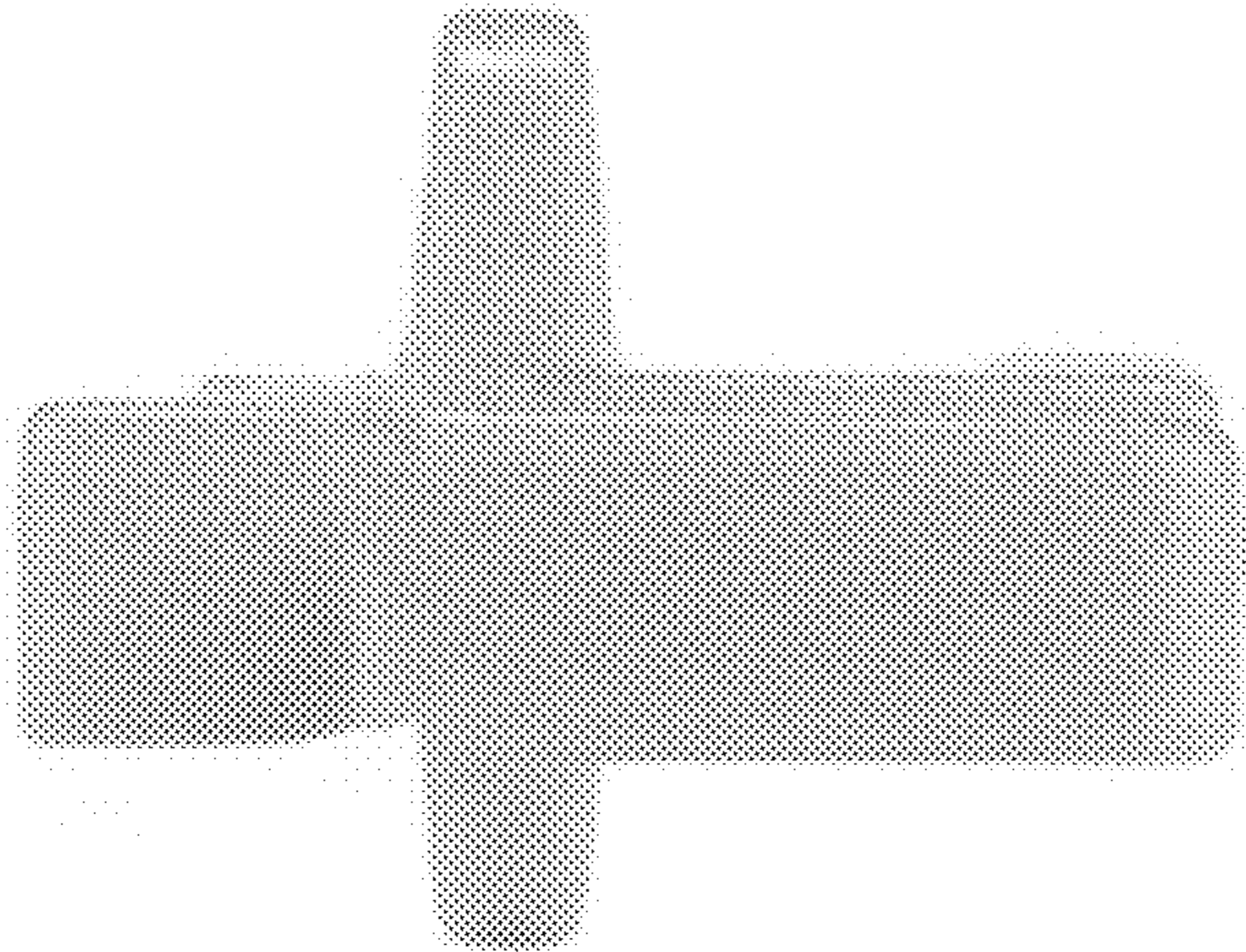


Fig. 6

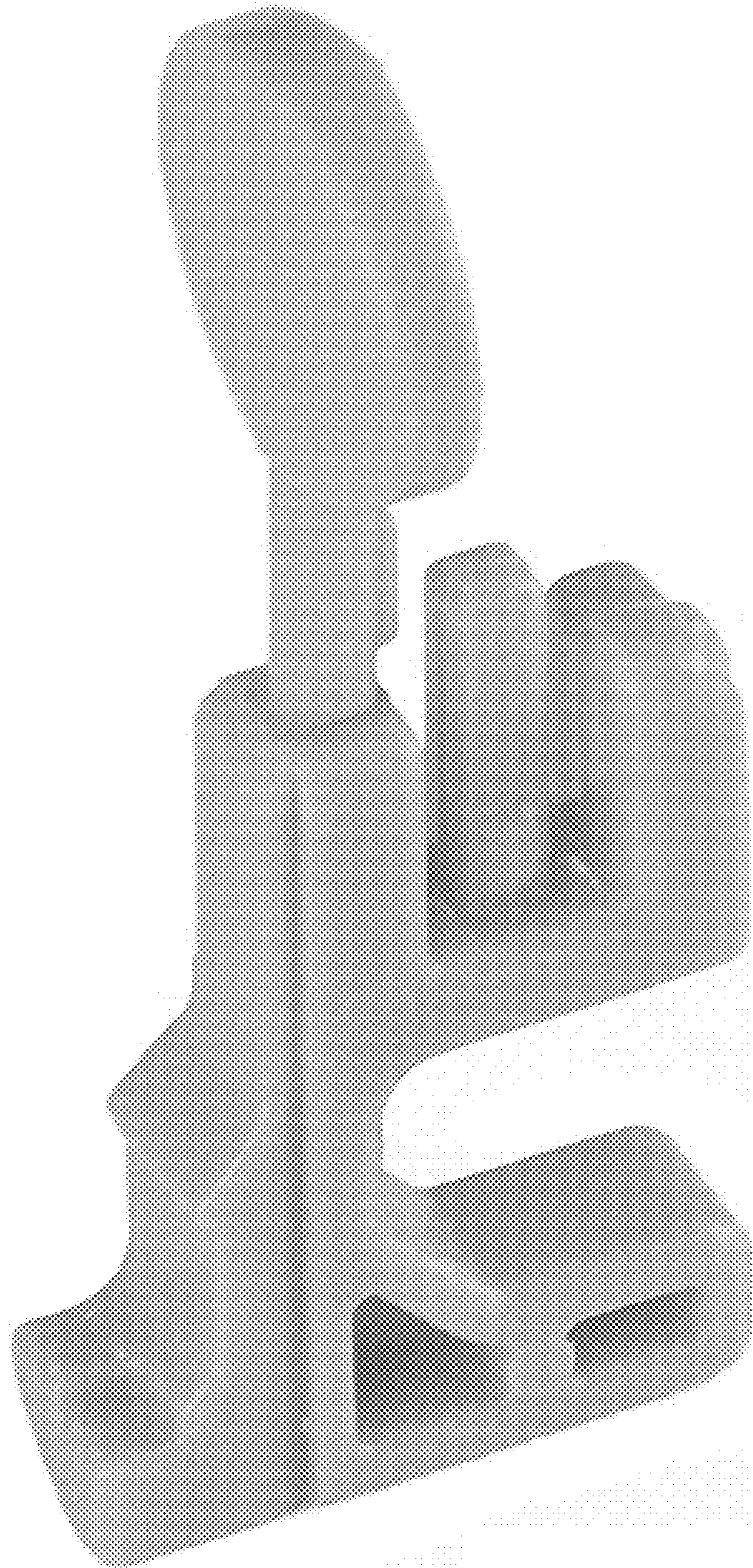


Fig. 7

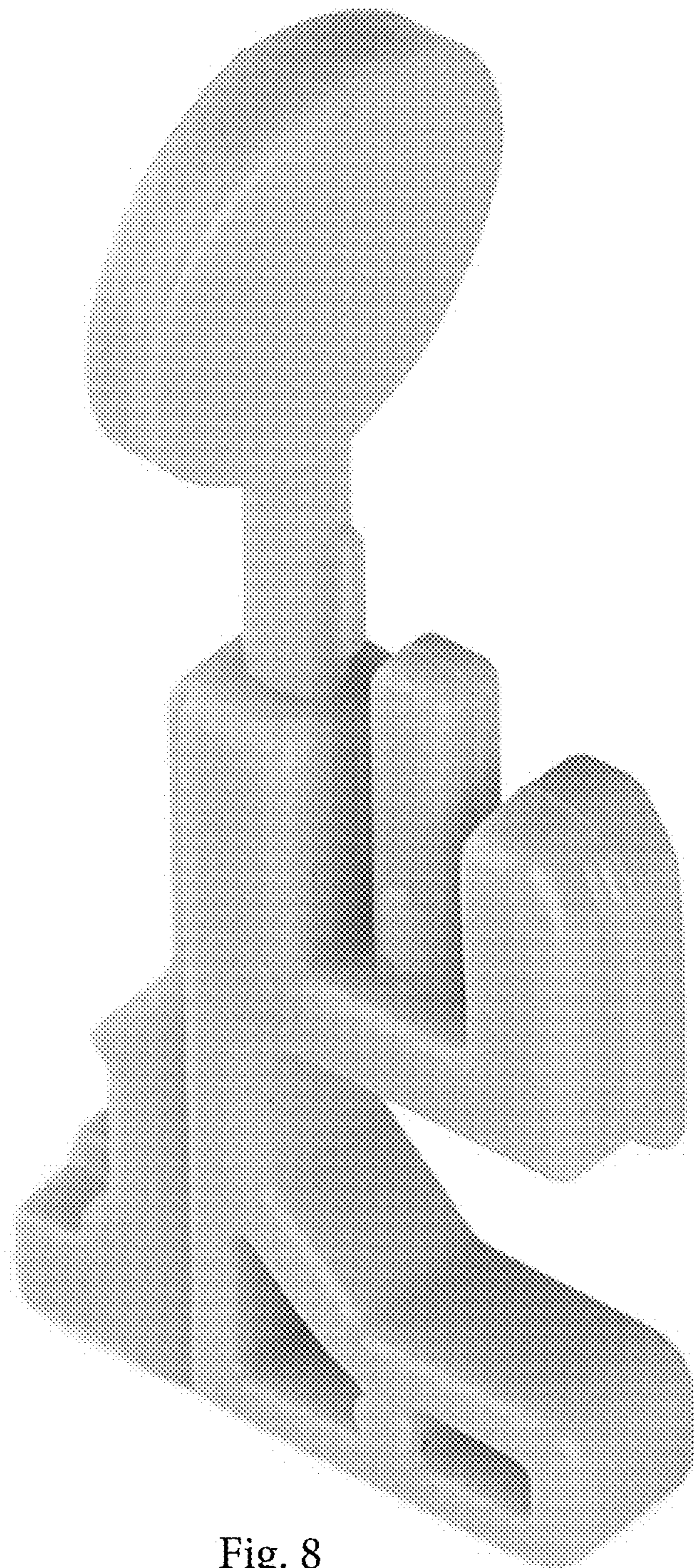


Fig. 8

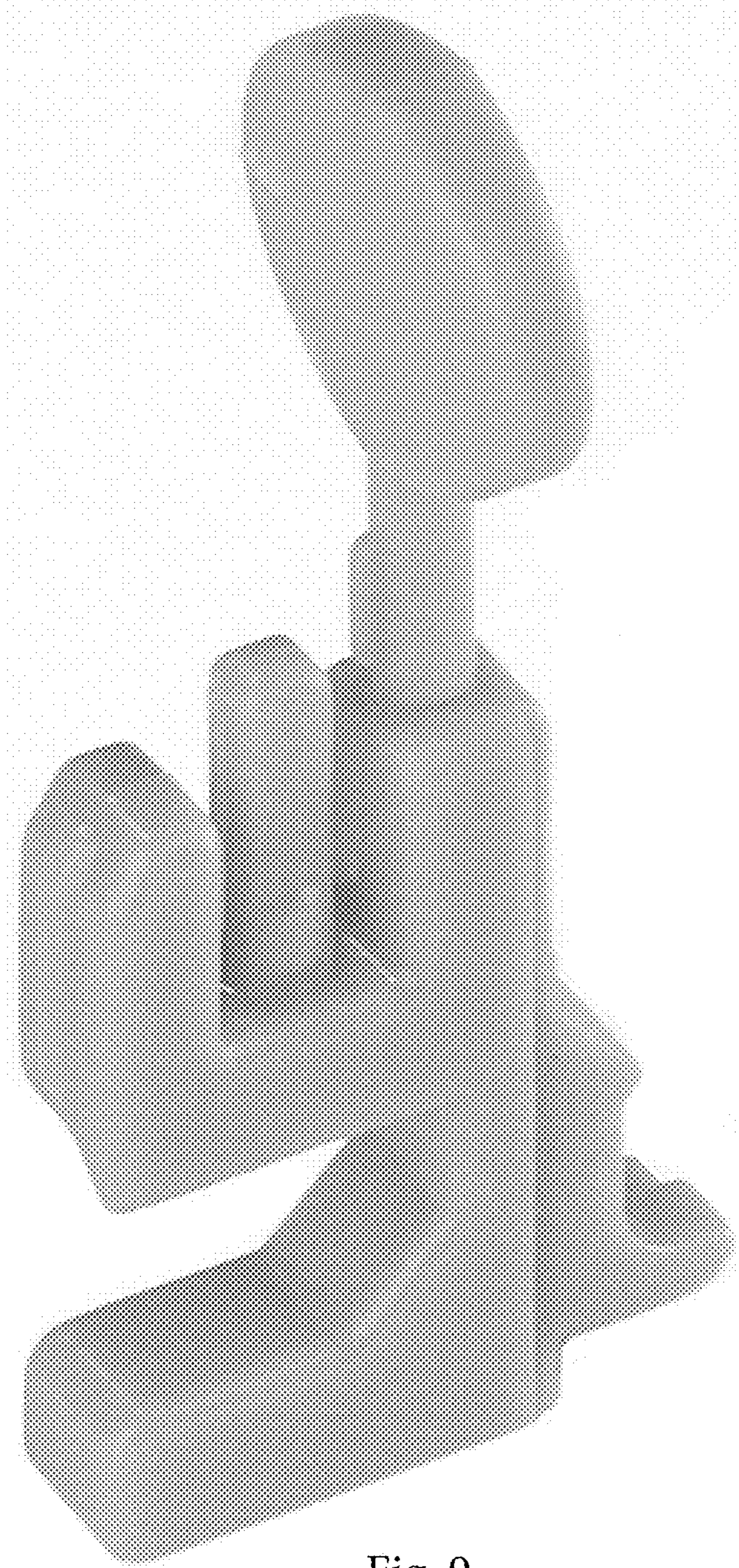


Fig. 9

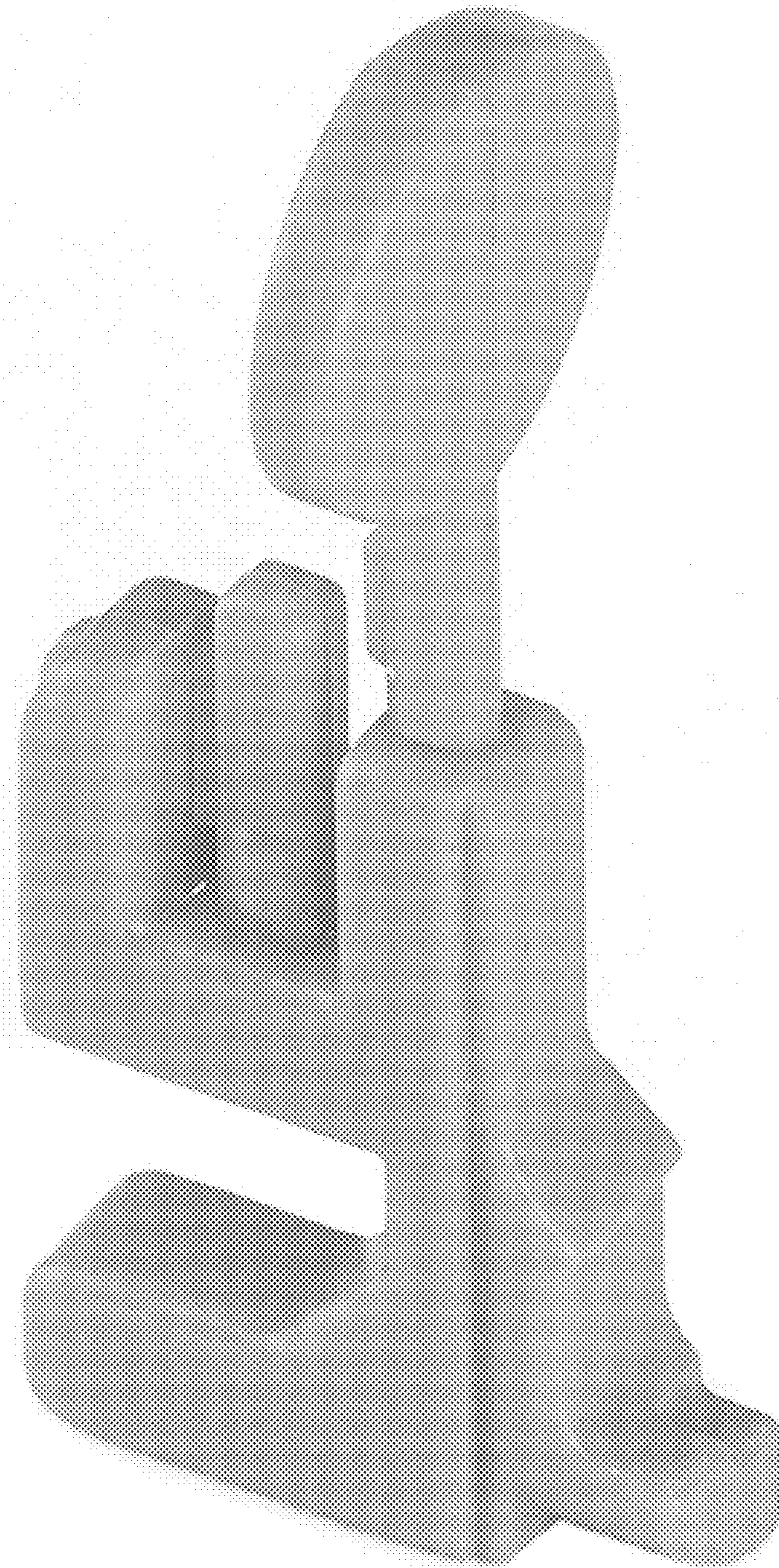


Fig. 10

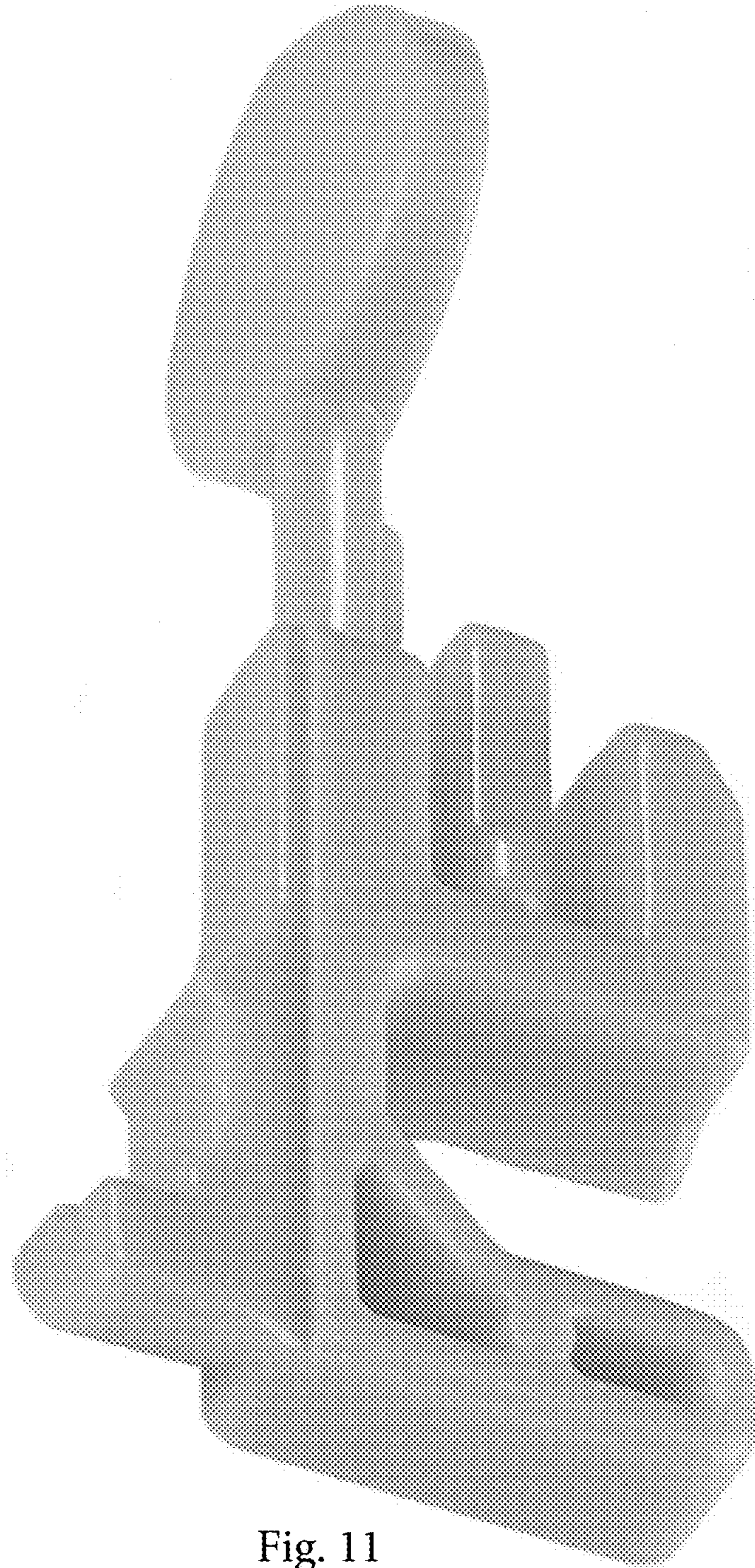


Fig. 11

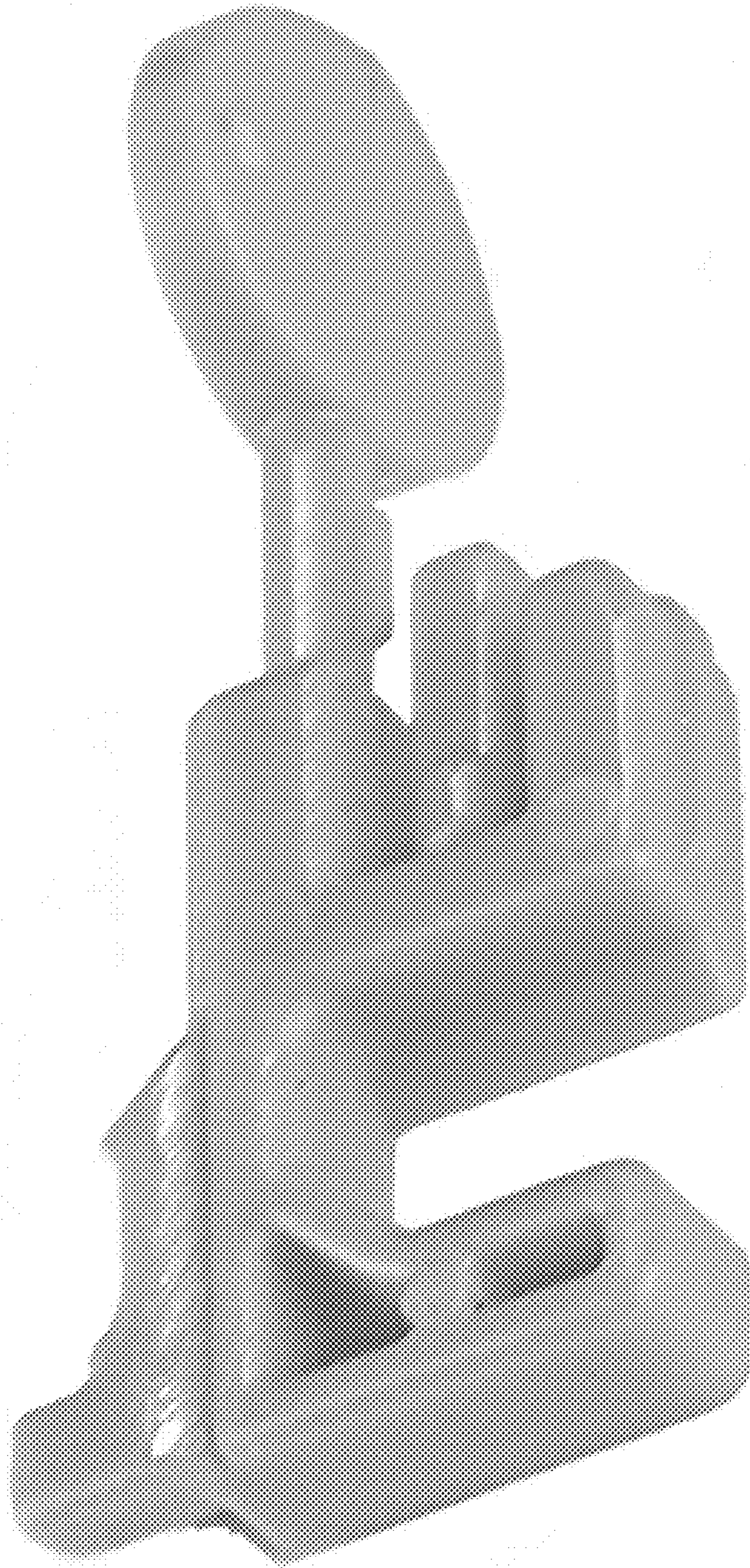


Fig. 12

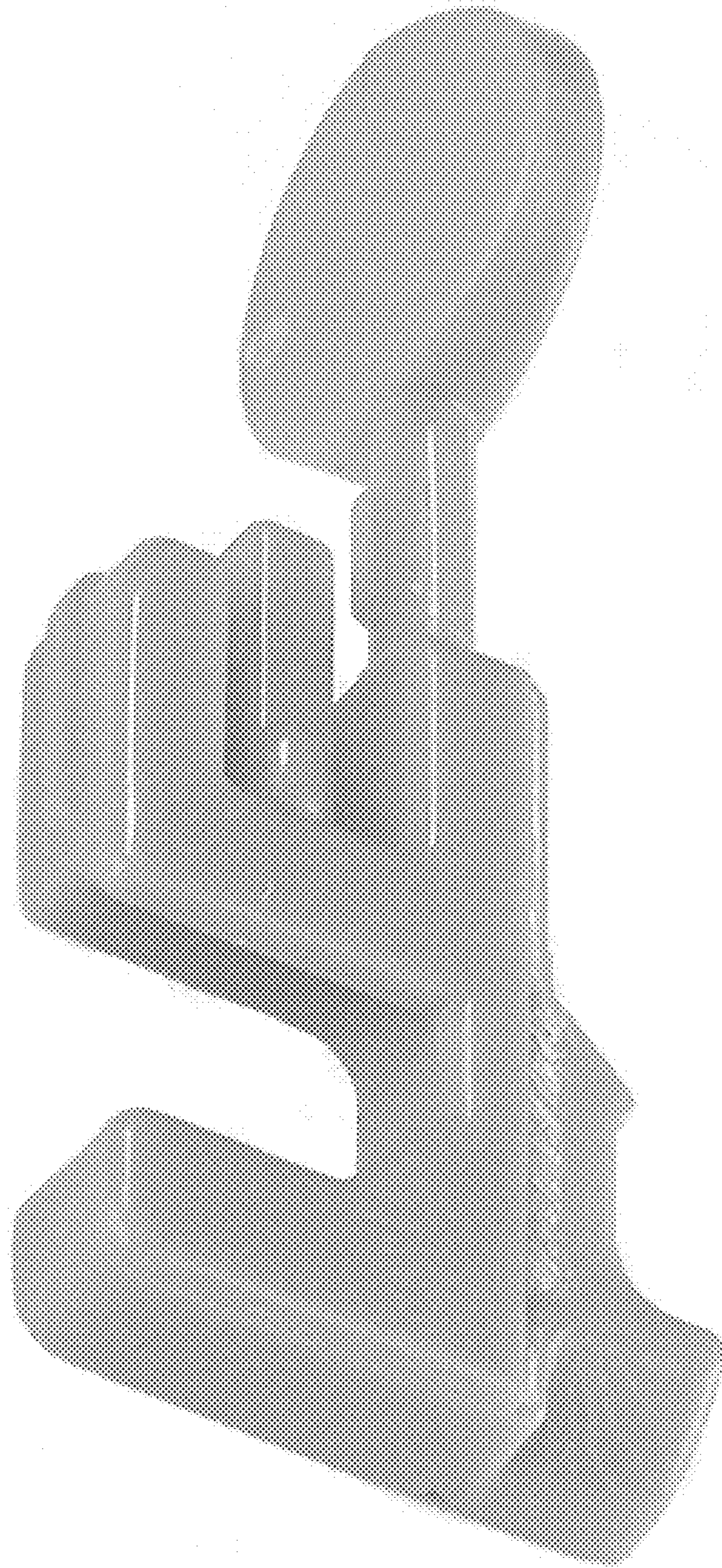


Fig. 13

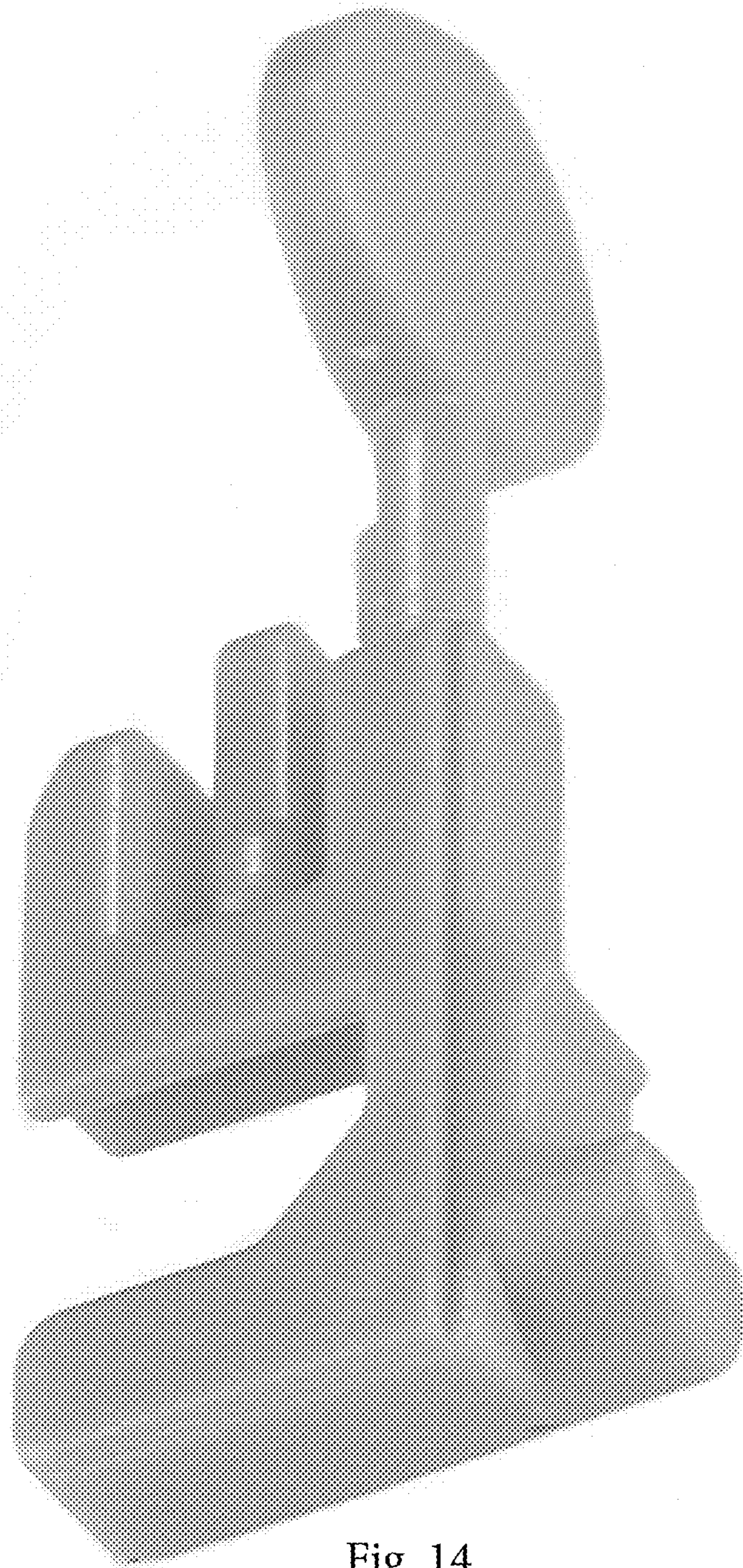


Fig. 14



Fig. 15

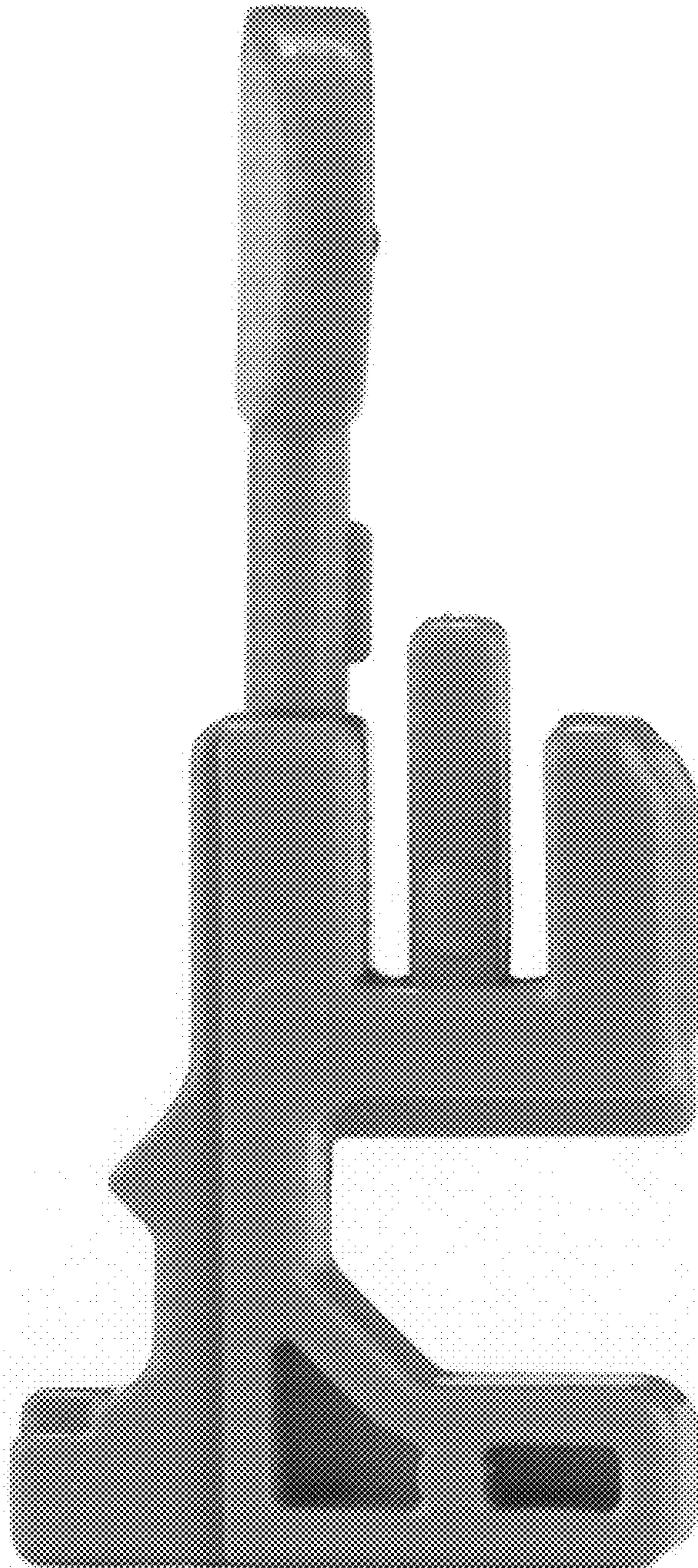


Fig. 16

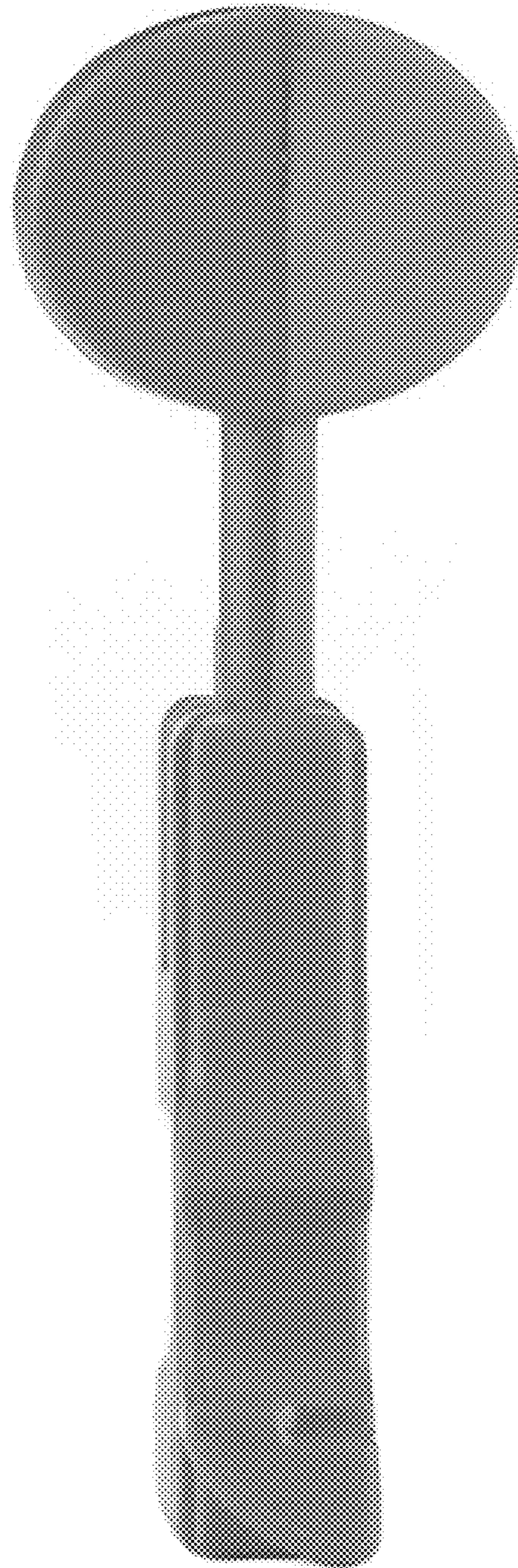


Fig. 17



Fig. 18

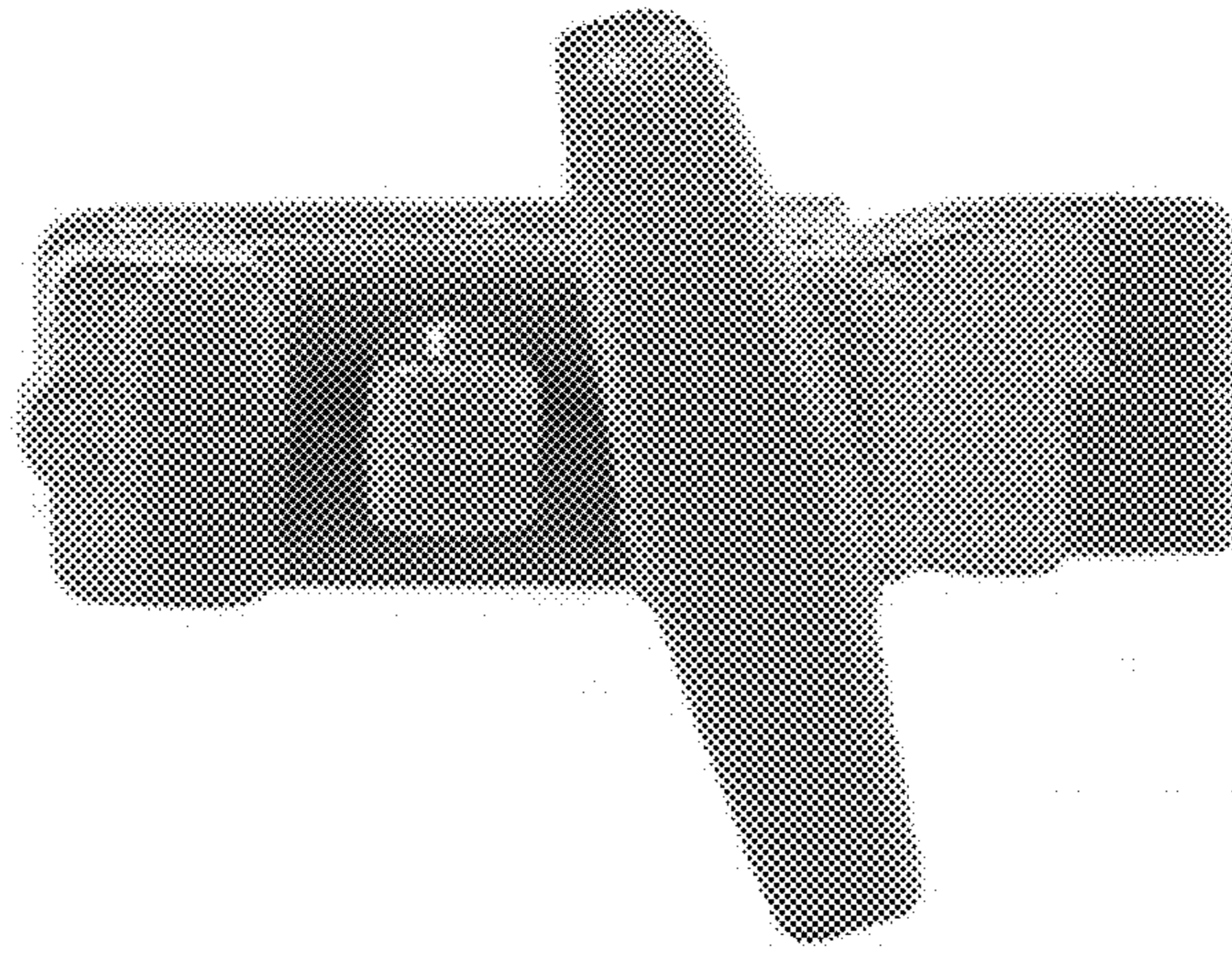


Fig. 19

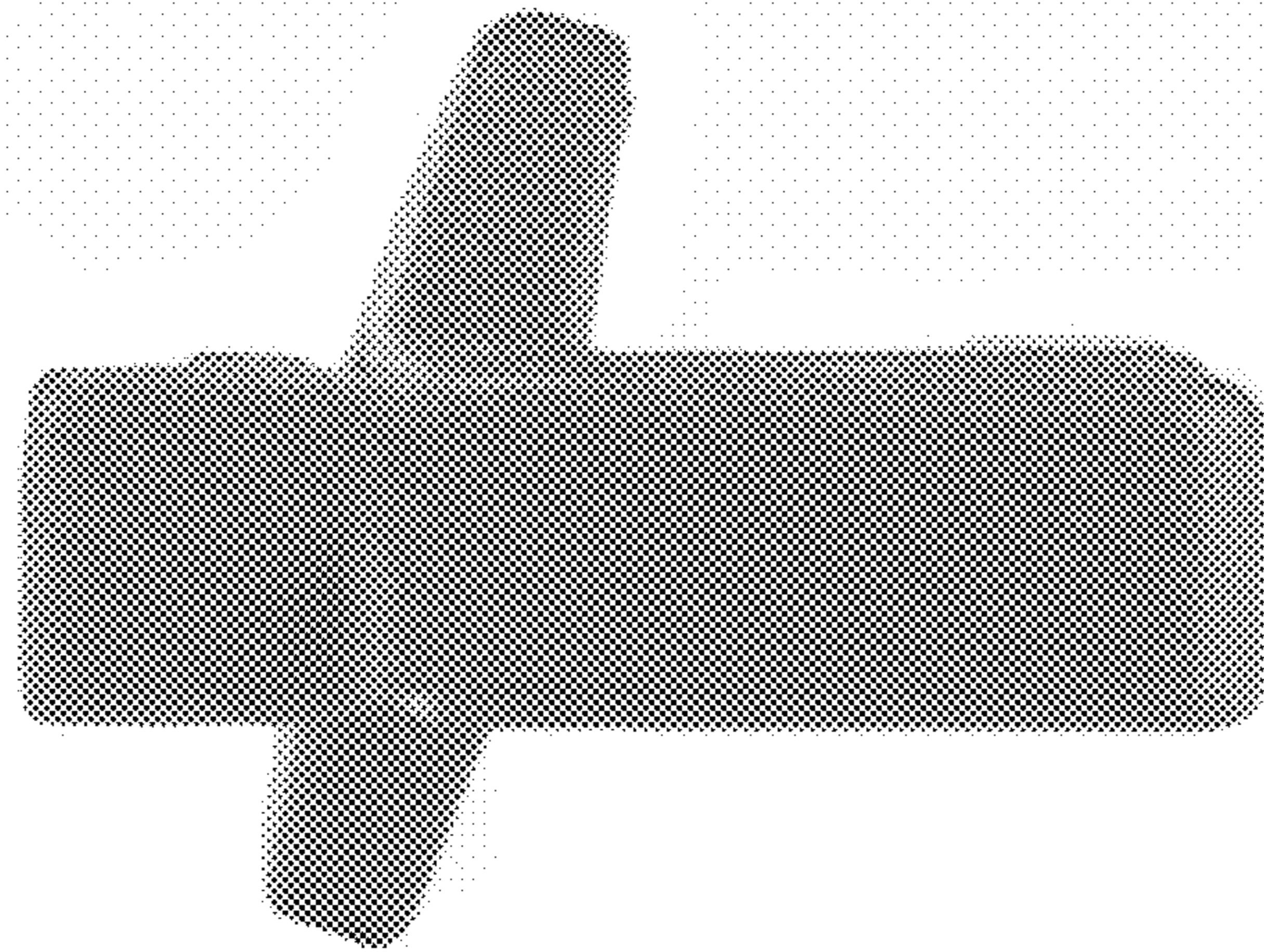


Fig. 20

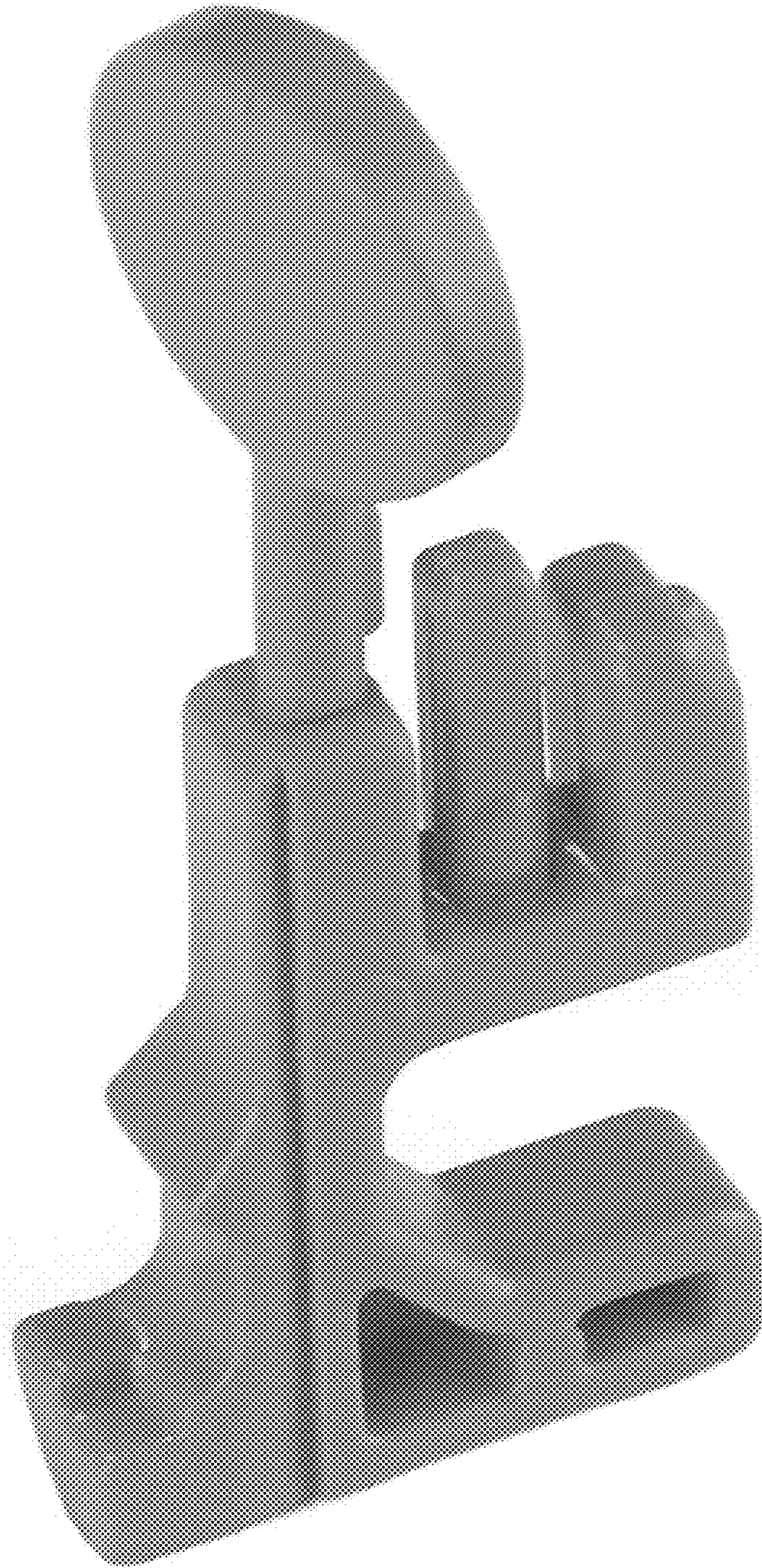


Fig. 21

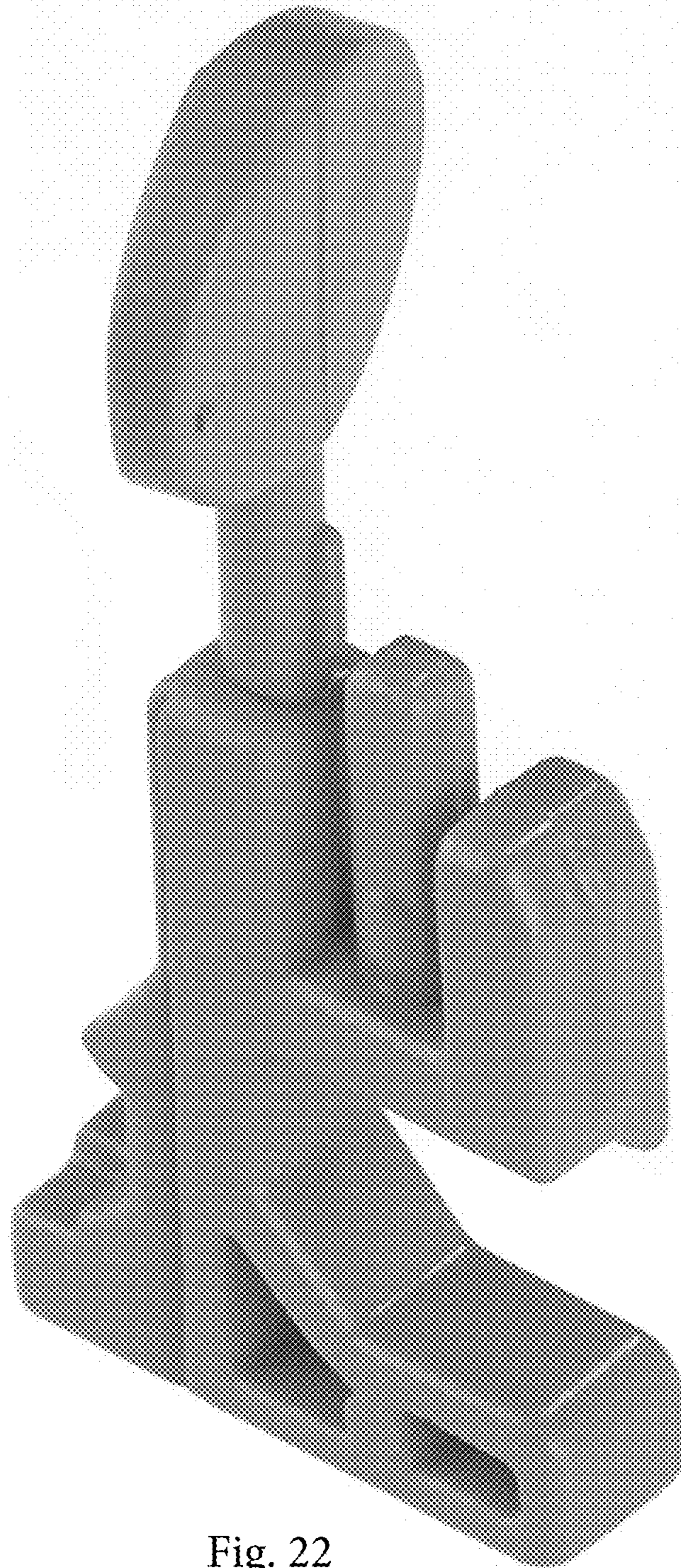


Fig. 22

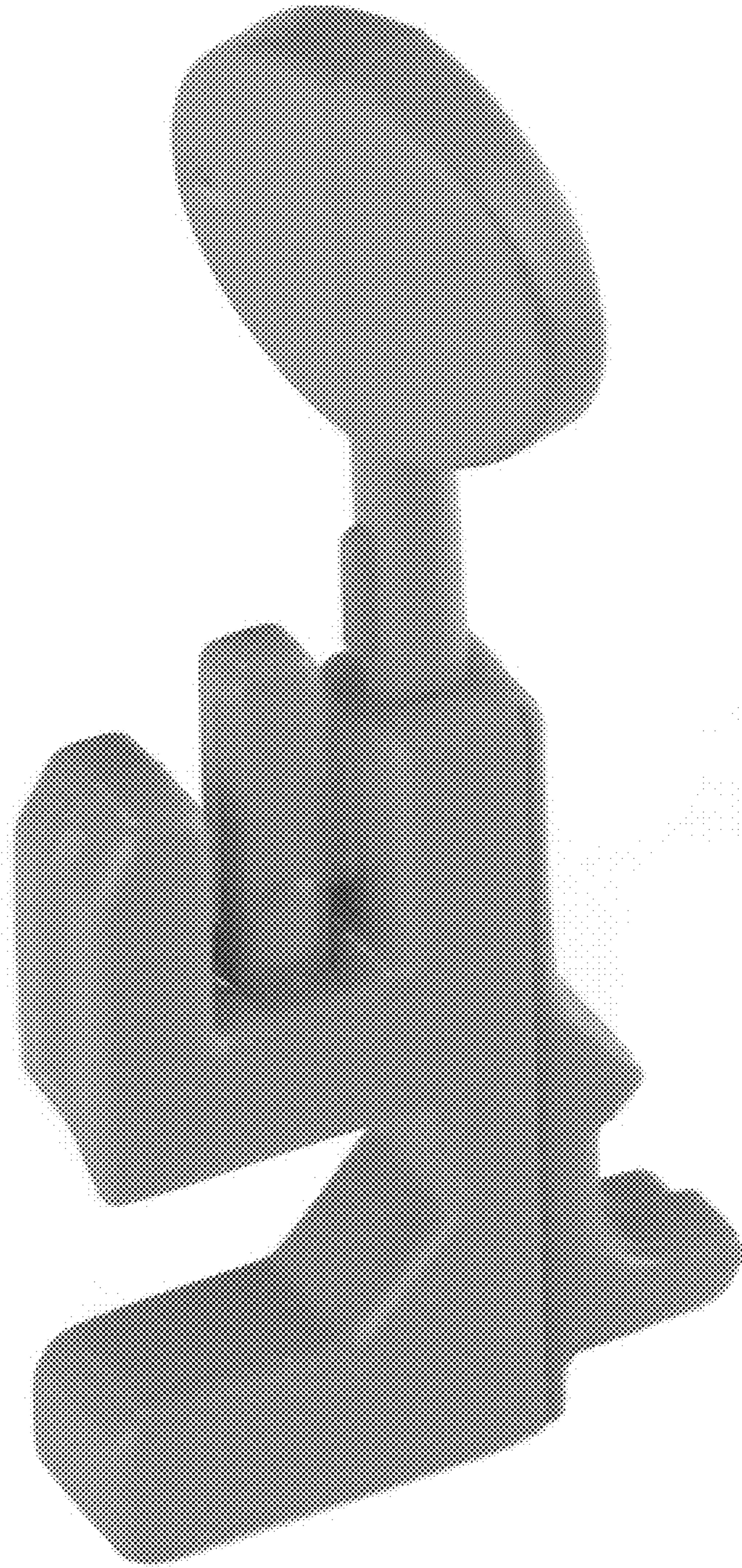


Fig. 23

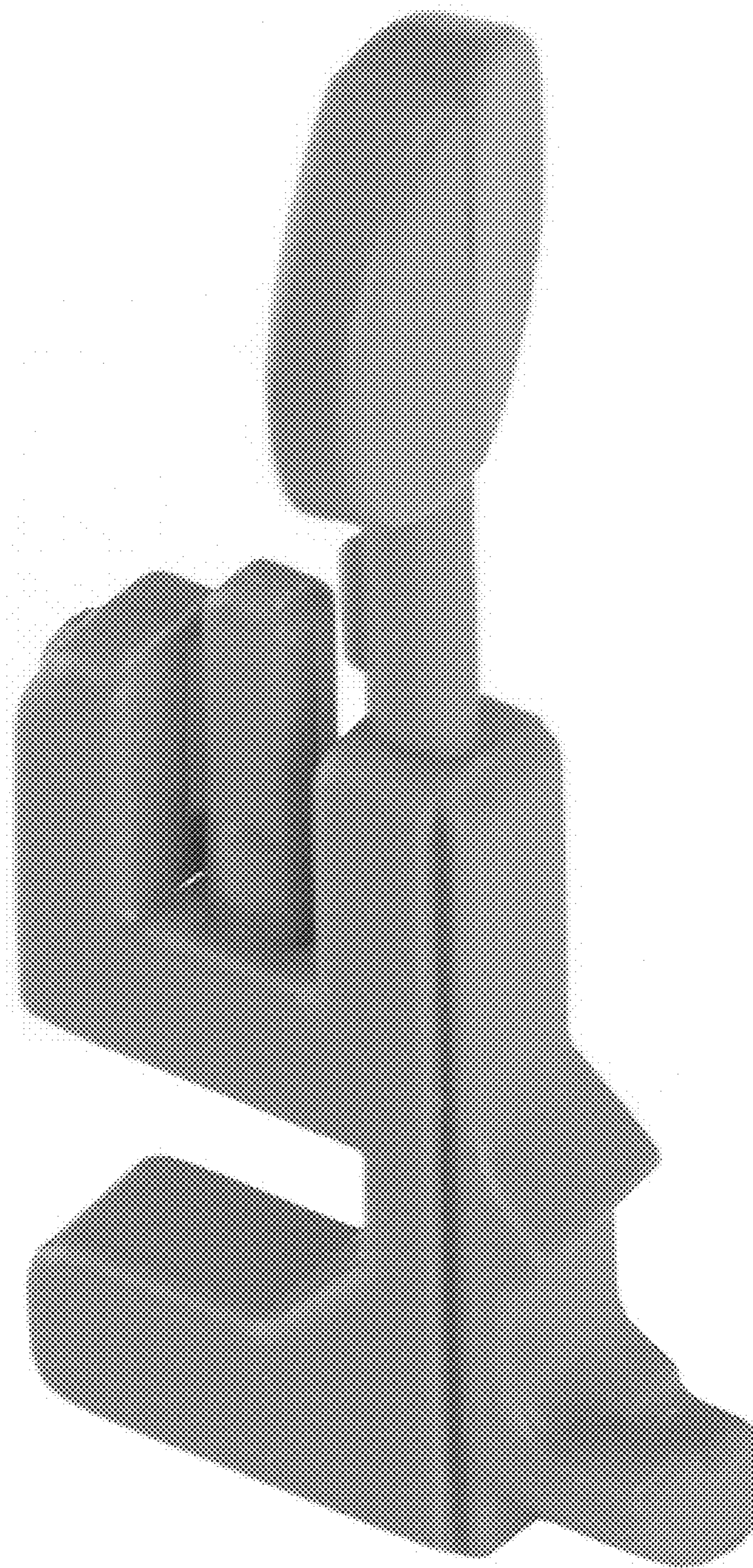


Fig. 24

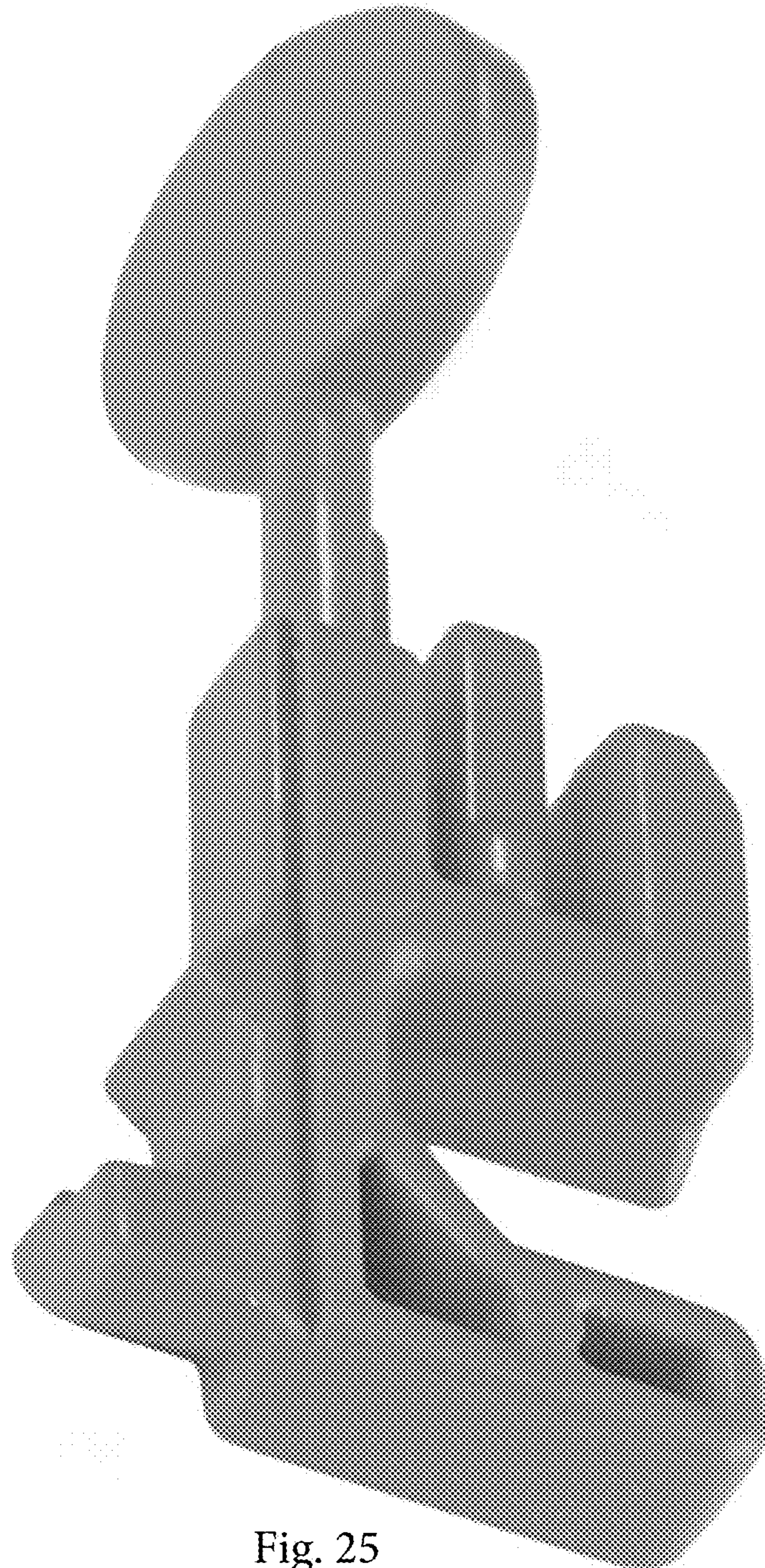


Fig. 25

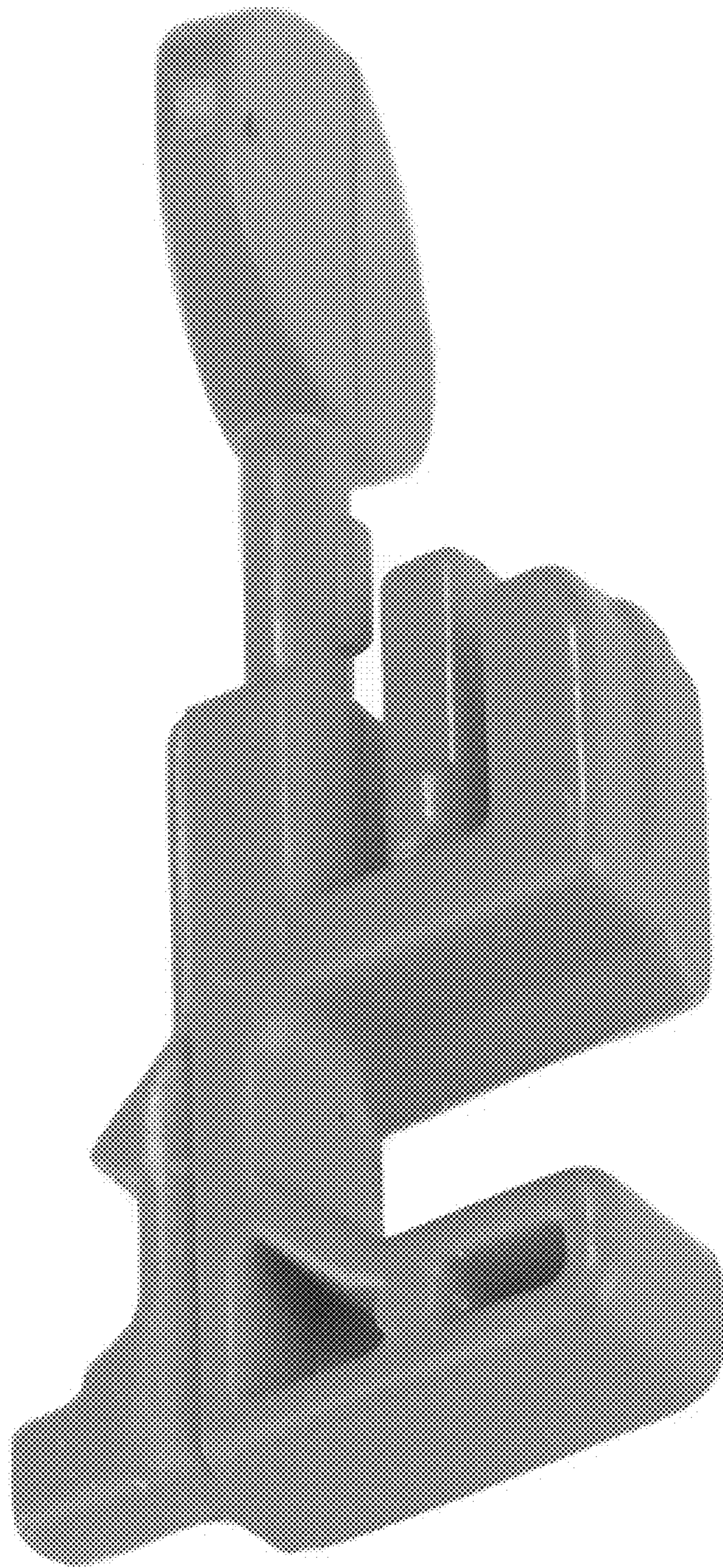


Fig. 26

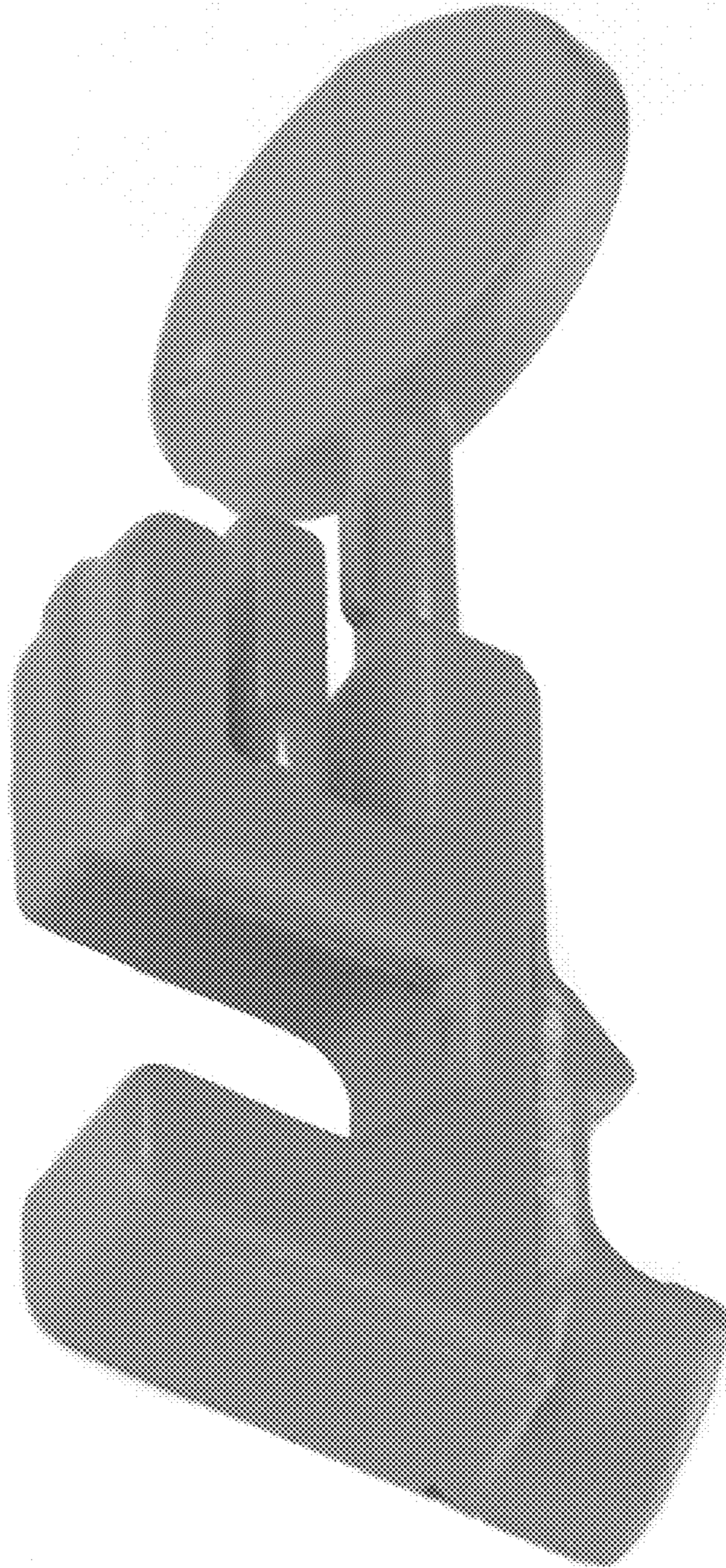


Fig. 27

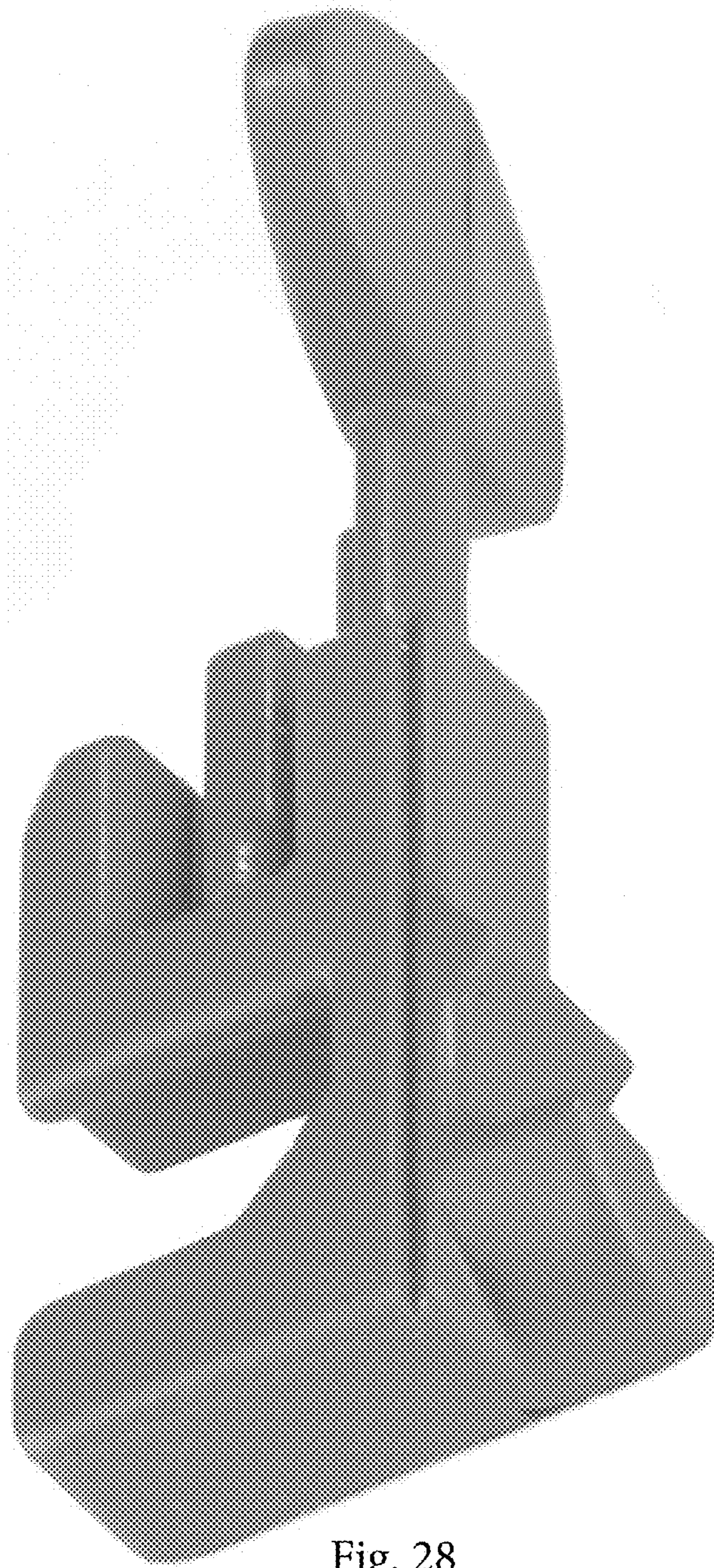


Fig. 28



Fig. 29



Fig. 30

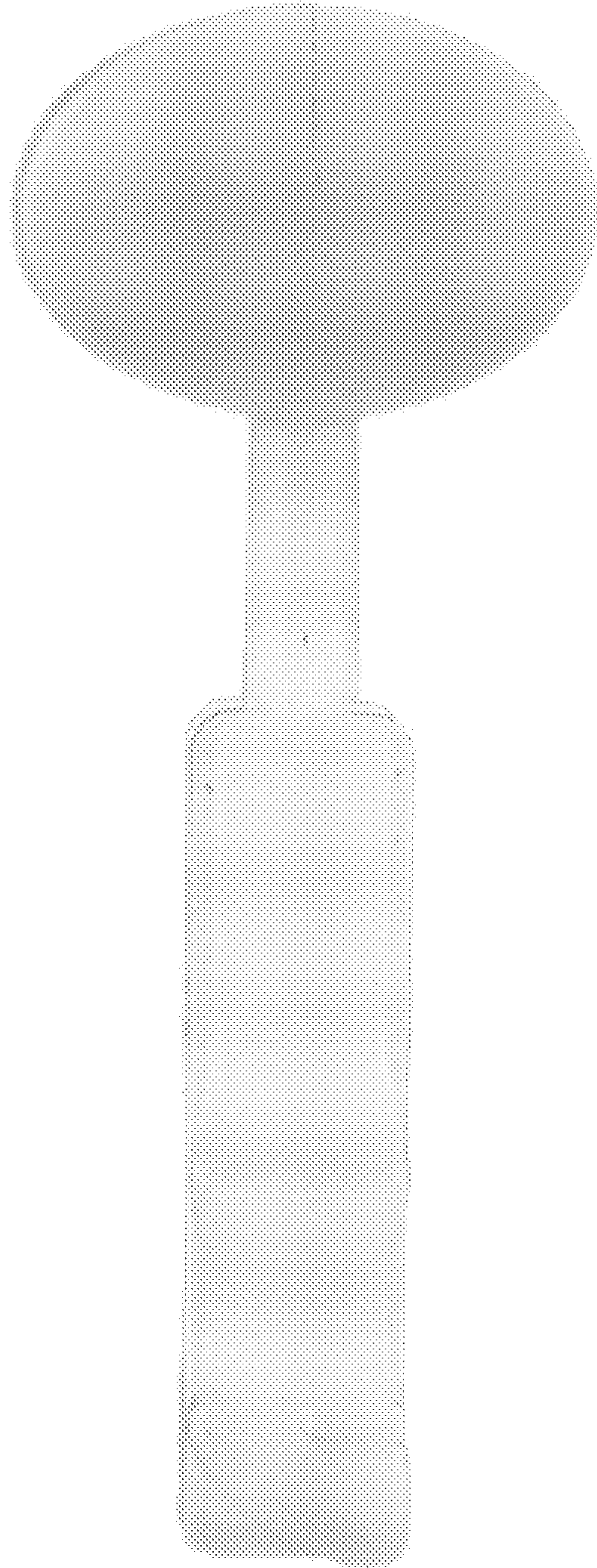


Fig. 31



Fig. 32

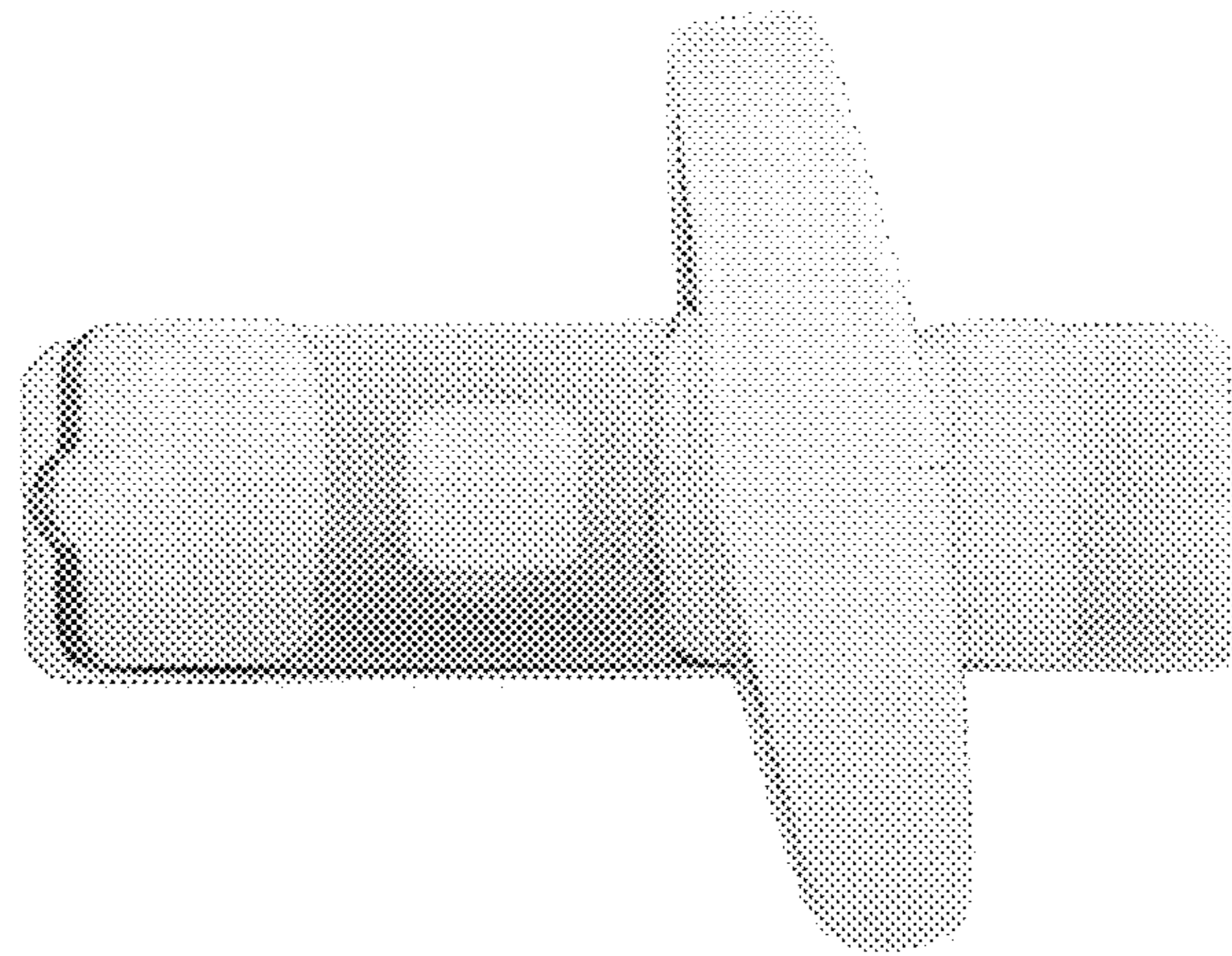


Fig. 33

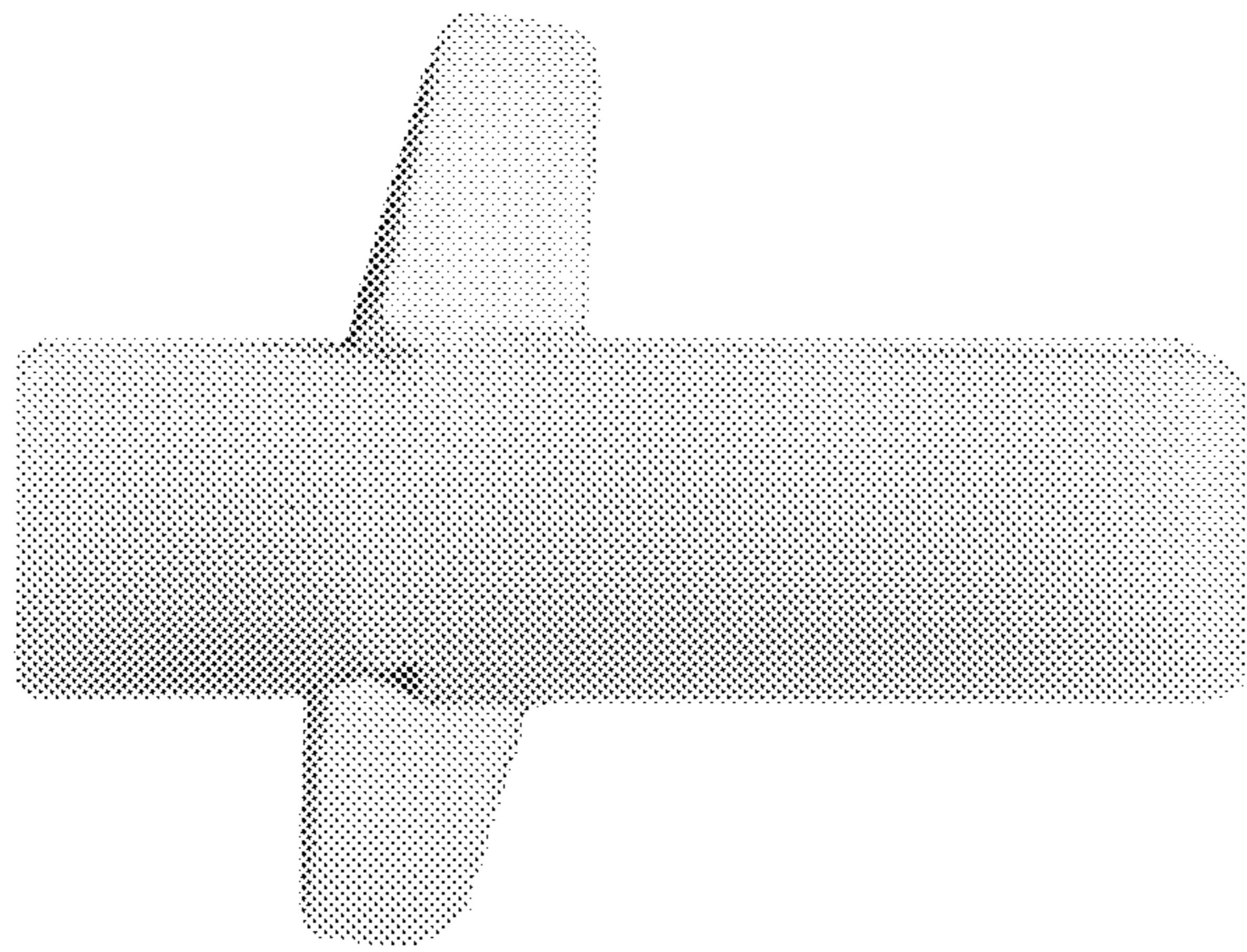


Fig. 34

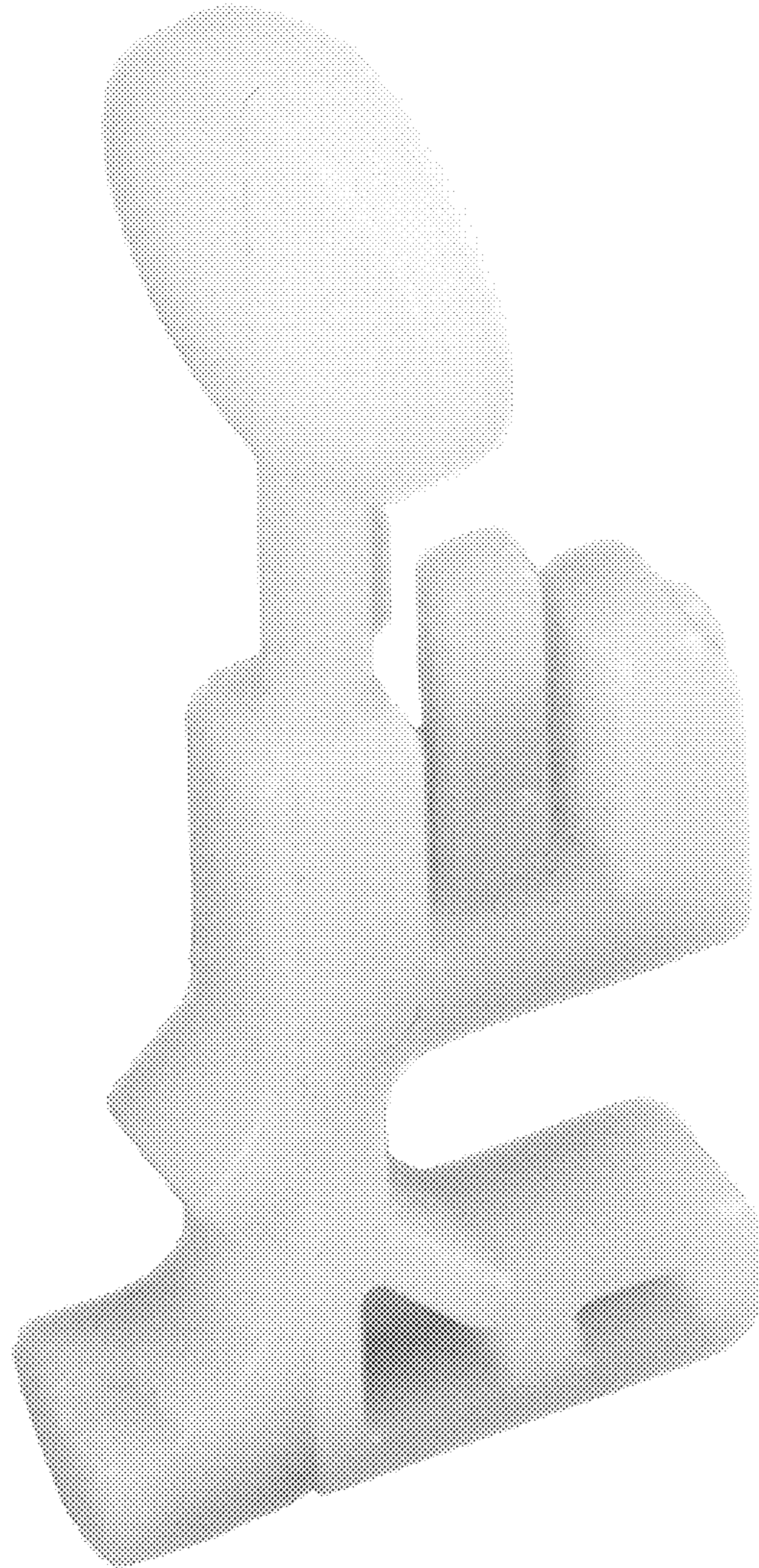


Fig. 35

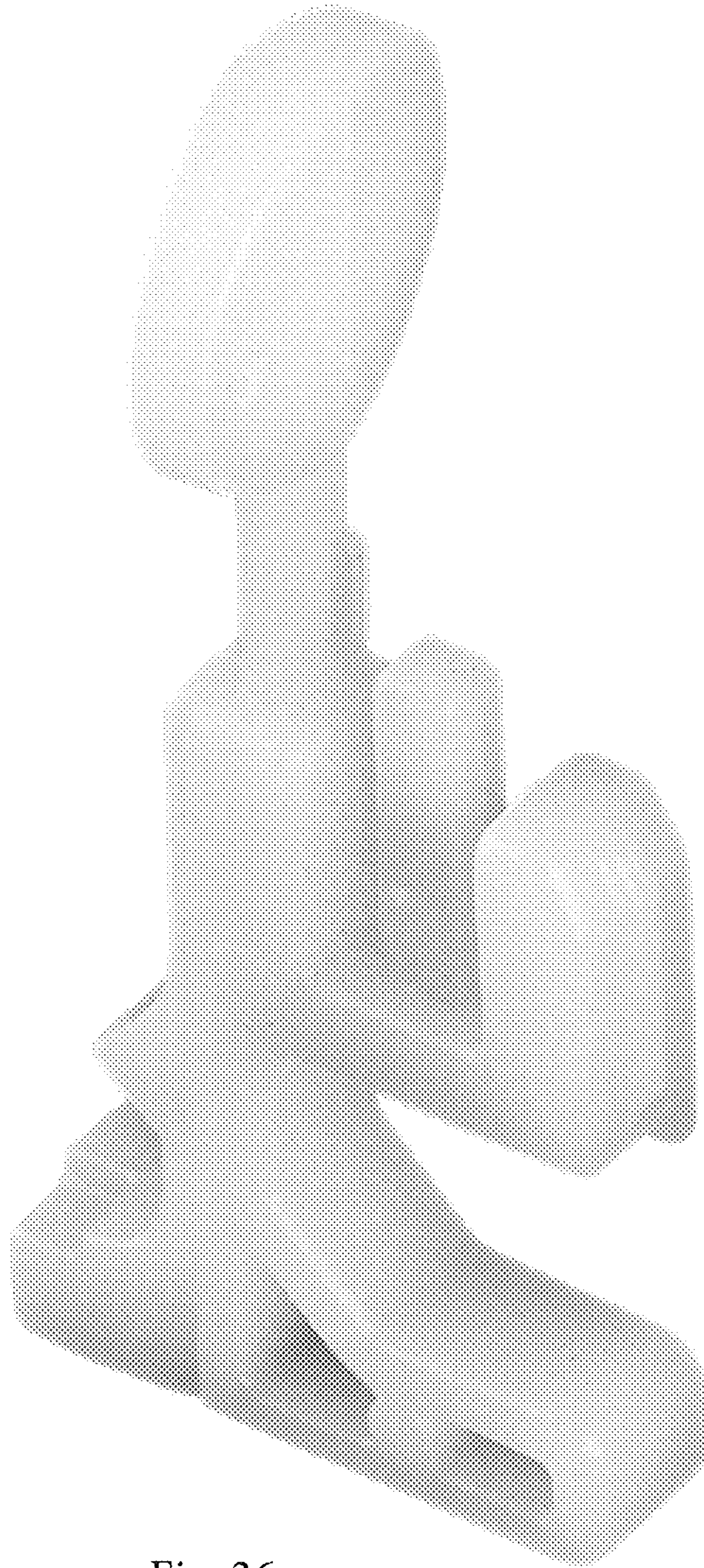


Fig. 36

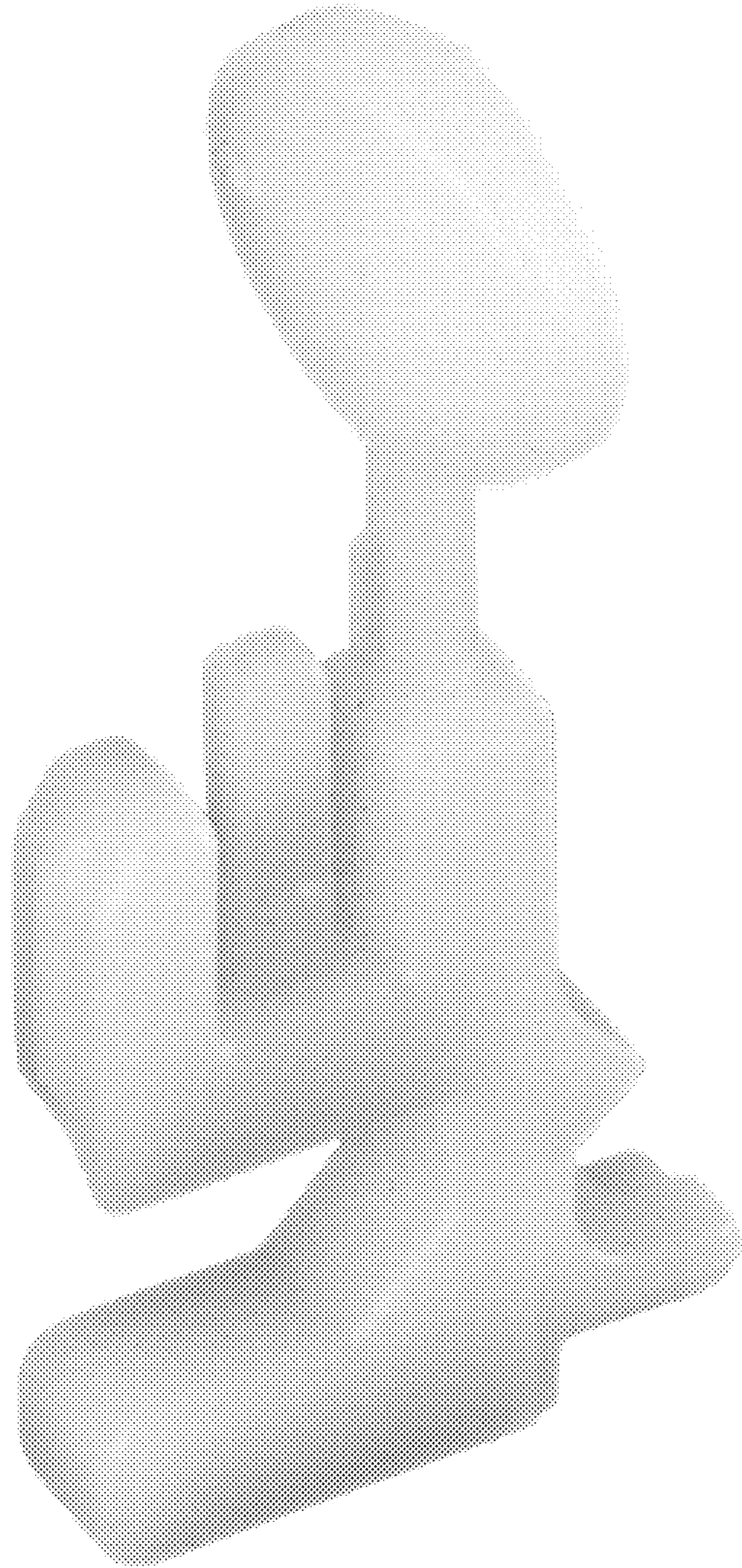


Fig. 37

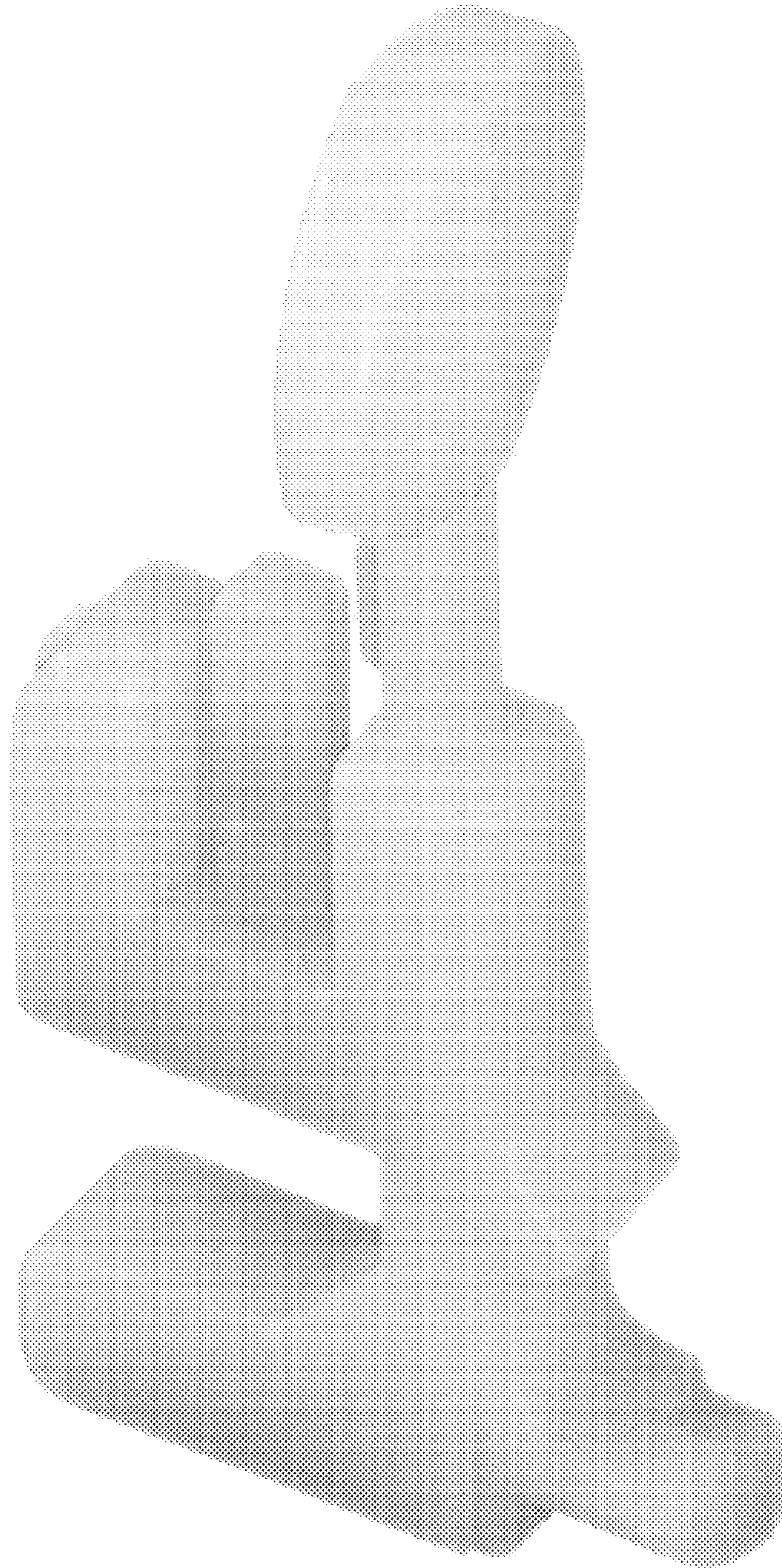


Fig. 38

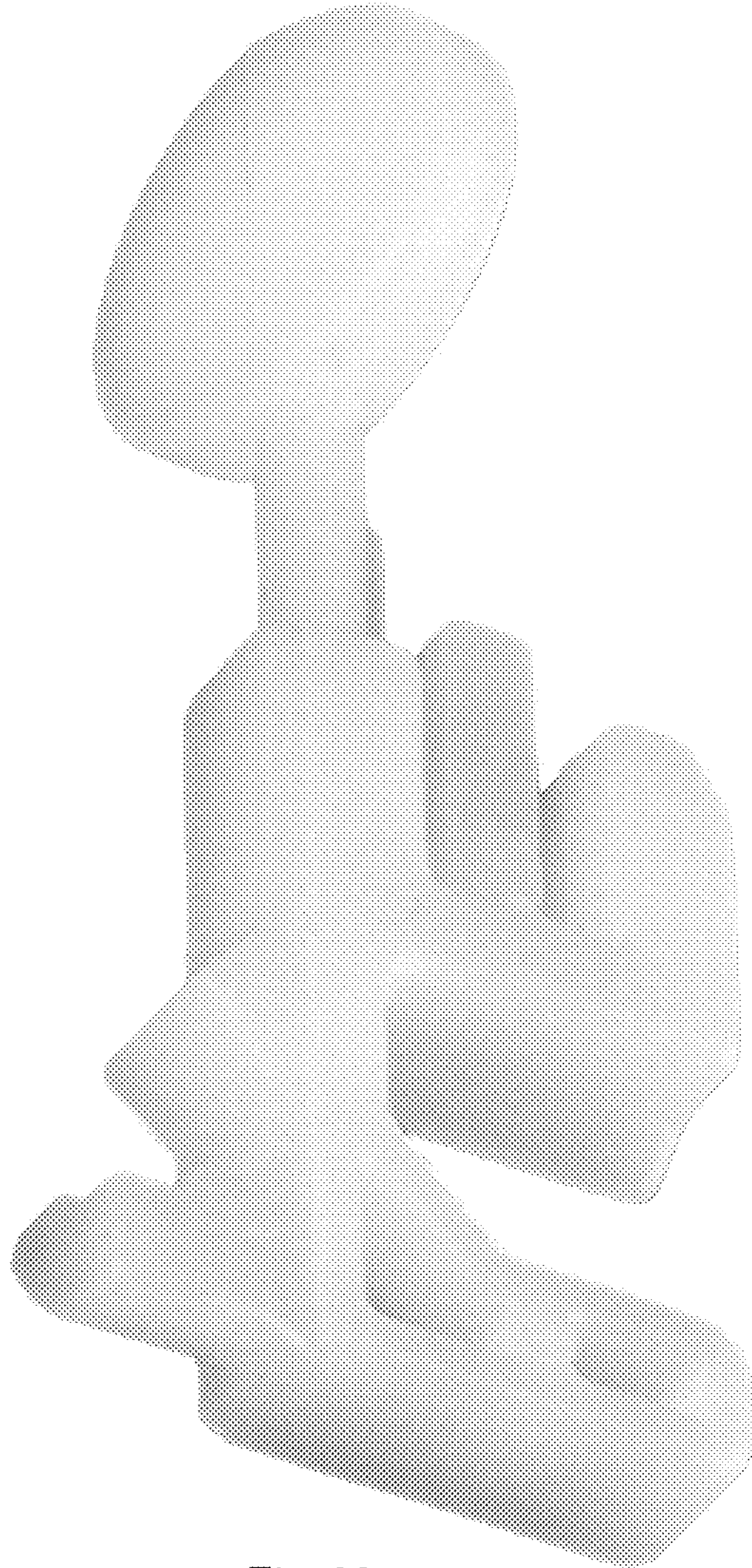


Fig. 39



Fig. 40

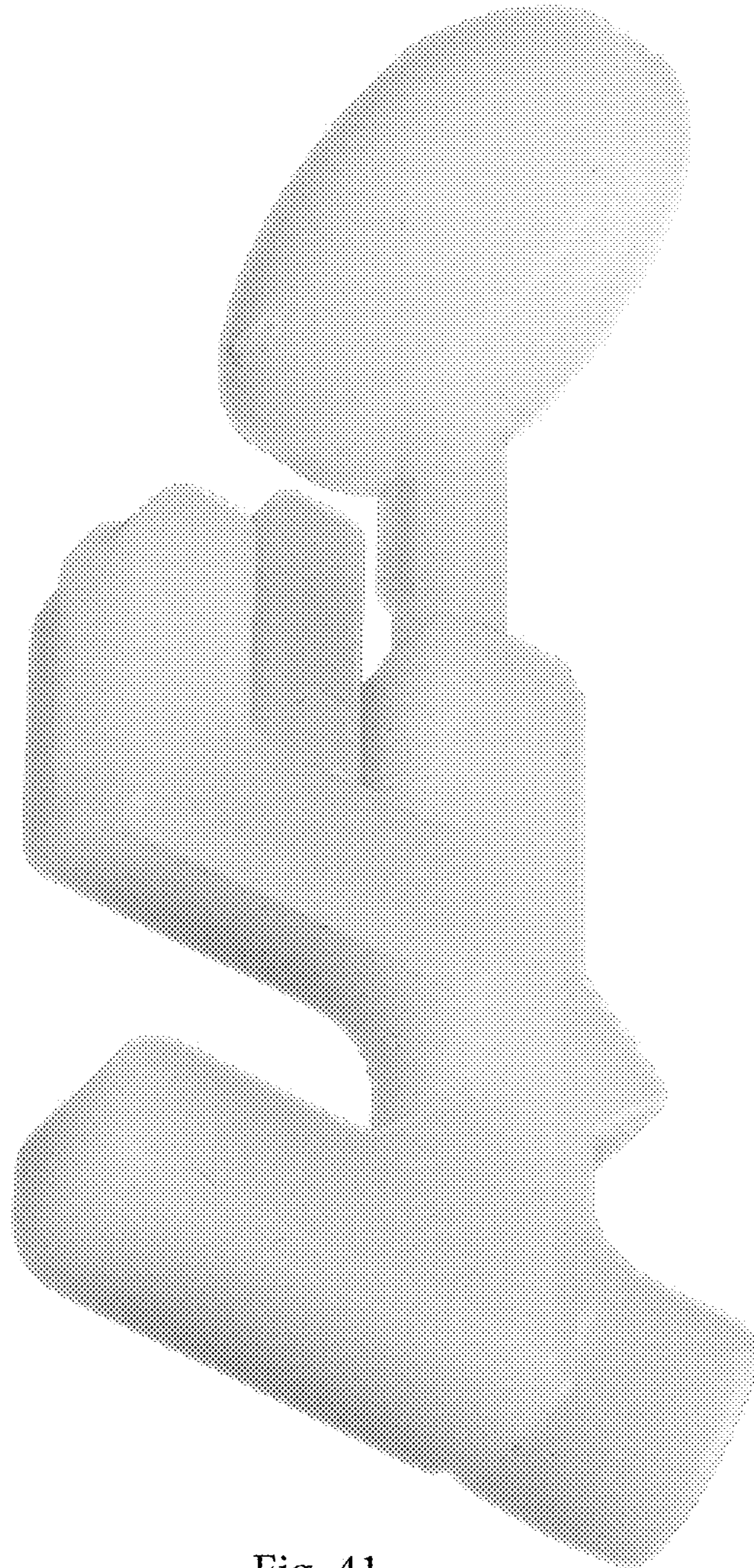


Fig. 41

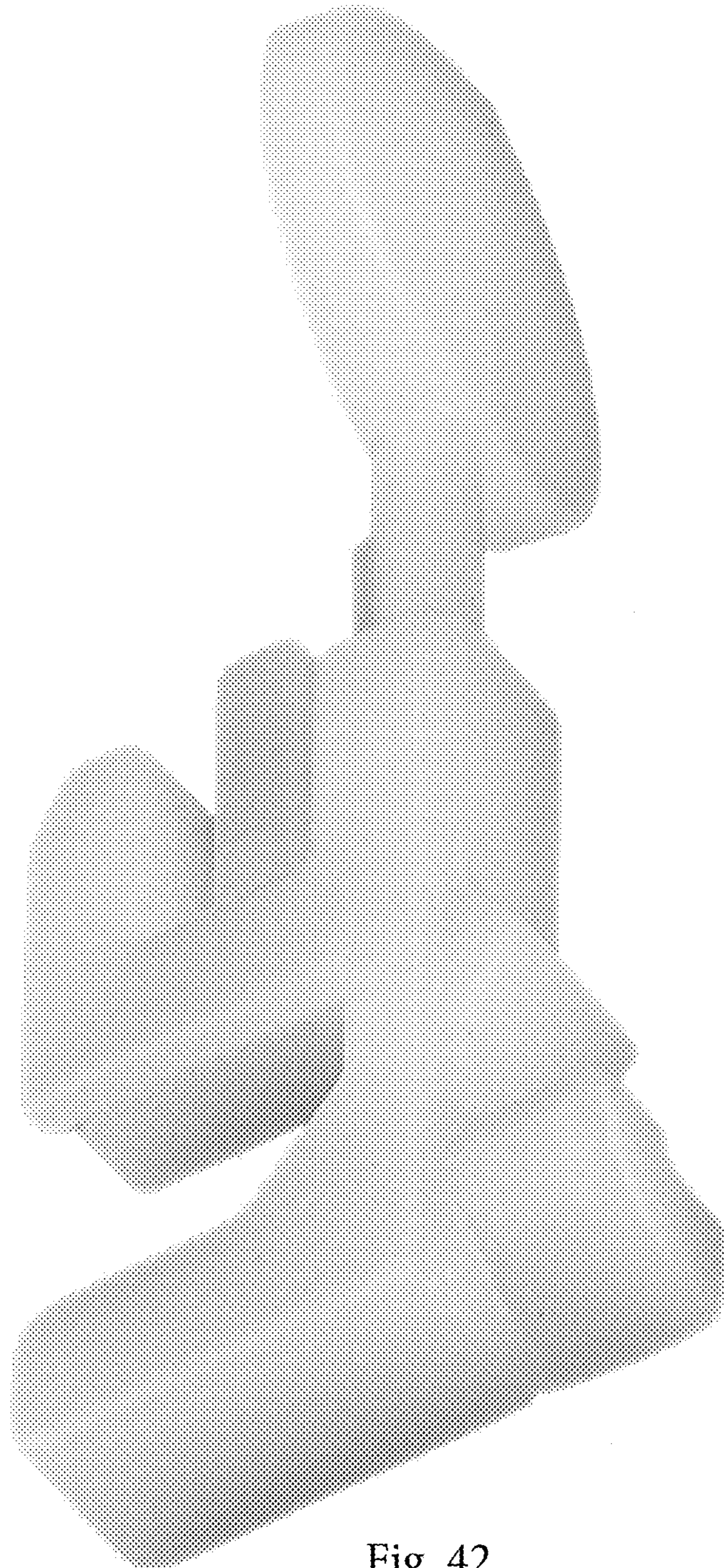


Fig. 42