



US00D937405S

(12) **United States Design Patent**  
**Mallady, Jr.**

(10) **Patent No.:** **US D937,405 S**

(45) **Date of Patent:** **\*\* Nov. 30, 2021**

(54) **PROTECTIVE FACE MASK**

(71) Applicant: **Roy C. Mallady, Jr.**, Atlanta, GA (US)

(72) Inventor: **Roy C. Mallady, Jr.**, Atlanta, GA (US)

(\*\*) Term: **15 Years**

(21) Appl. No.: **29/734,040**

(22) Filed: **May 8, 2020**

(51) **LOC (13) Cl.** ..... **29-02**

(52) **U.S. Cl.**

USPC ..... **D24/110.1**

(58) **Field of Classification Search**

USPC ..... D24/110, 110.1–110.4, 162; D29/102,  
D29/105–108, 110

CPC . A41D 13/11; A41D 13/1107; A41D 13/1115;  
A41D 13/113; A41D 13/1161; A41D  
2400/52; A62B 23/205; A62B 18/025

See application file for complete search history.

(56) **References Cited**

**U.S. PATENT DOCUMENTS**

5,636,628 A \* 6/1997 Barnum ..... A41D 13/1115  
128/206.12

D400,674 S \* 11/1998 Miura ..... D24/110.1

5,891,508 A \* 4/1999 Barnum ..... A61L 9/04  
427/2.31

D642,258 S \* 7/2011 Messier ..... D24/110.1

D642,259 S \* 7/2011 Messier ..... D24/110.1

(Continued)

**FOREIGN PATENT DOCUMENTS**

GB 9008000061-0001 \* 6/2020

**OTHER PUBLICATIONS**

Patented Activity Mask by House of Zeitgeist, myshopnyc.com.  
View date: Jul. 12, 2021. Retrieved from internet: <https://www.mshopnyc.com/house-of-zeitgeist/activity-mask> (Year: 2021).\*

(Continued)

*Primary Examiner* — Lilyana Bekic

*Assistant Examiner* — Lee D. Starr

(74) *Attorney, Agent, or Firm* — David L. King

(57) **CLAIM**

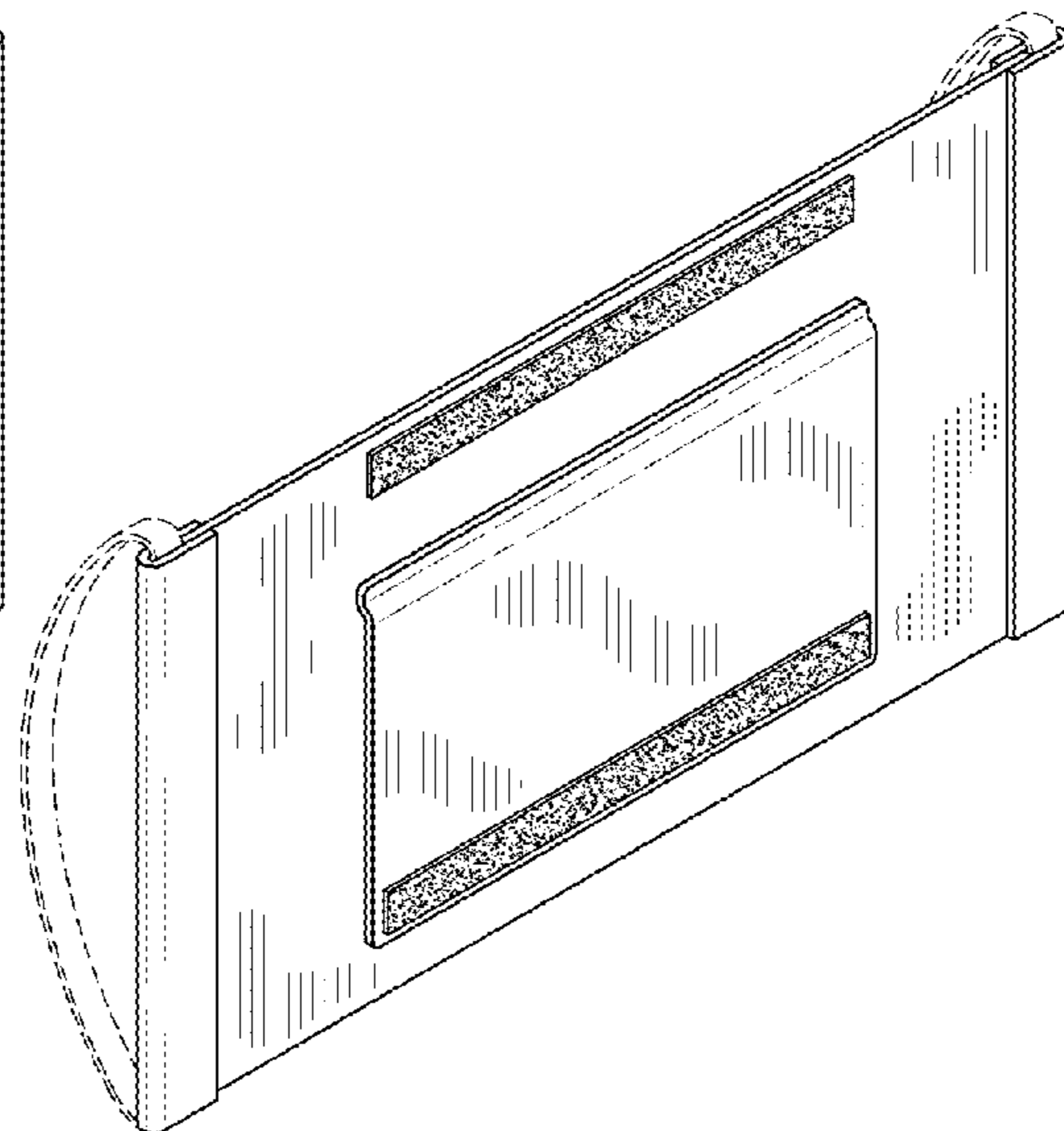
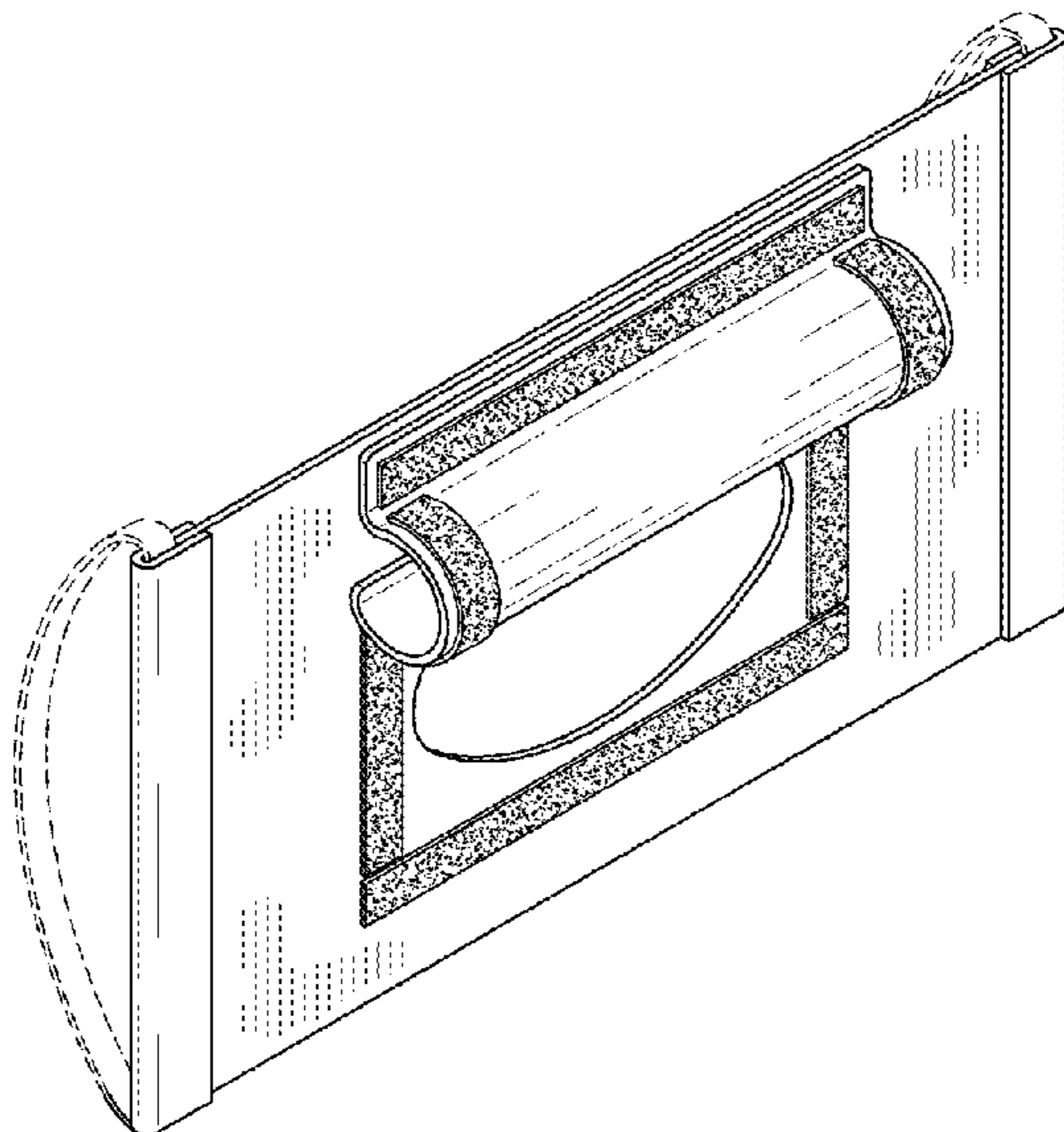
The ornamental design for a “protective face mask”, as shown and described.

**DESCRIPTION**

FIG. 1 is a top front left perspective view of a protective face mask in an open position showing my new design; FIG. 2 is a bottom rear left perspective view thereof; FIG. 3 is a front elevational view thereof; FIG. 4 is a rear elevational view thereof; FIG. 5 is a top plan view thereof; FIG. 6 is a bottom plan view thereof; FIG. 7 is a left side elevational view thereof; FIG. 8 is a right side elevational view thereof; FIG. 9 is a front left perspective view thereof, shown in a closed position on a wearer in an environment of use; FIG. 10 is a top front left perspective view of the protective face mask in a closed position; FIG. 11 is a bottom rear left perspective view thereof; FIG. 12 is a front elevational view thereof; FIG. 13 is a rear elevational view thereof; FIG. 14 is a top plan view thereof; FIG. 15 is a bottom plan view thereof; FIG. 16 is a left side elevational view thereof; and, FIG. 17 is a right side elevational view thereof.

The dash-dash broken line showing of the wearer in FIG. 9 depicts environmental subject matter that forms no part of the claimed design. The short dash-short dash-long dash broken lines in FIG. 9 depict a boundary of the environment and form no part of the claimed design. All other broken lines in the drawings depict portions of the protective face mask that form no part of the claimed design.

**1 Claim, 7 Drawing Sheets**



(56)

**References Cited**

U.S. PATENT DOCUMENTS

D803,391 S \* 11/2017 Reese ..... D24/110.1  
2014/0076334 A1\* 3/2014 Cheng ..... A61B 46/00  
128/857  
2016/0029716 A1\* 2/2016 Duncan ..... A41D 13/11  
128/863  
2017/0312558 A1\* 11/2017 Wang ..... A41D 13/1115  
2018/0007982 A1\* 1/2018 Reese ..... A41D 31/14  
2019/0275358 A1\* 9/2019 Yao ..... A62B 23/02  
2020/0329792 A1\* 10/2020 Howard ..... A41D 13/11

OTHER PUBLICATIONS

“Wondering how to eat, drink while staying protected from coronavirus? Check out these masks” by Brenda Cain, cleveland.com. Posted date: Jun. 25, 2020. Retrieval date: Jul. 12, 2021. Retrieved from internet: <https://www.cleveland.com/coronavirus/2020/06/wondering-how-to-eat-drink-while-staying-protected-from-coronavirus-check-out-these-masks.html> (Year: 2020).\*

\* cited by examiner

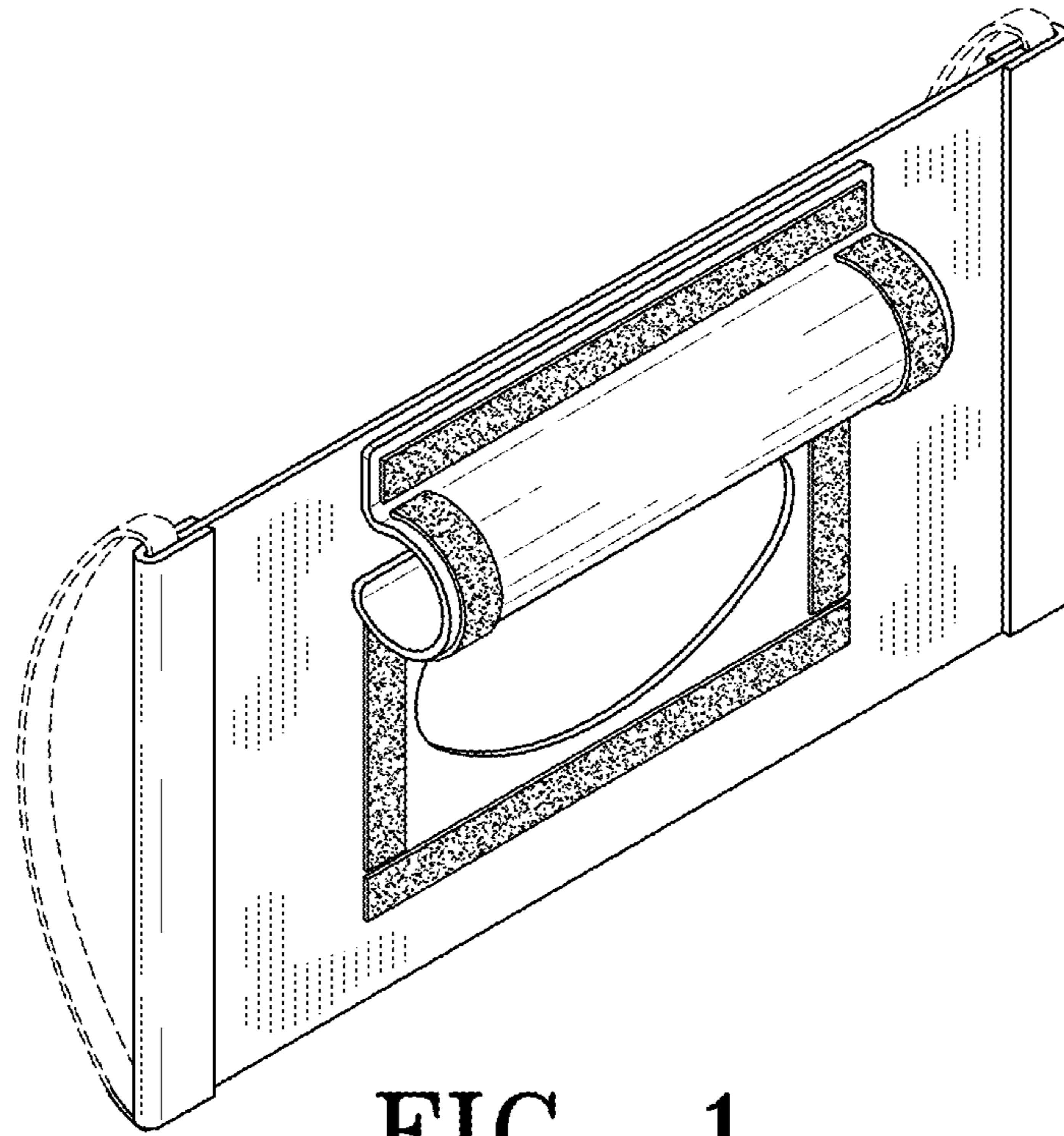


FIG. 1

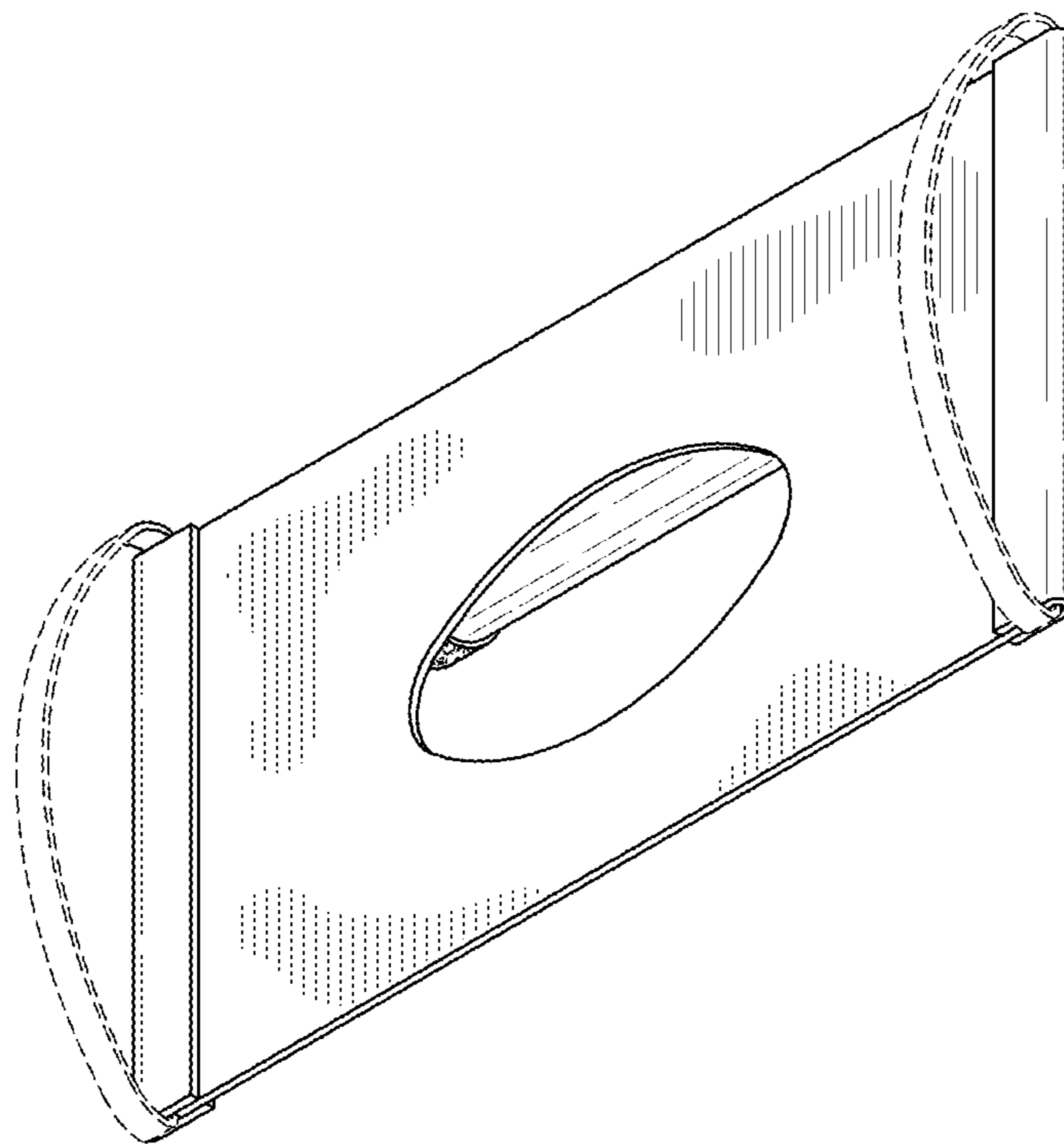


FIG. 2

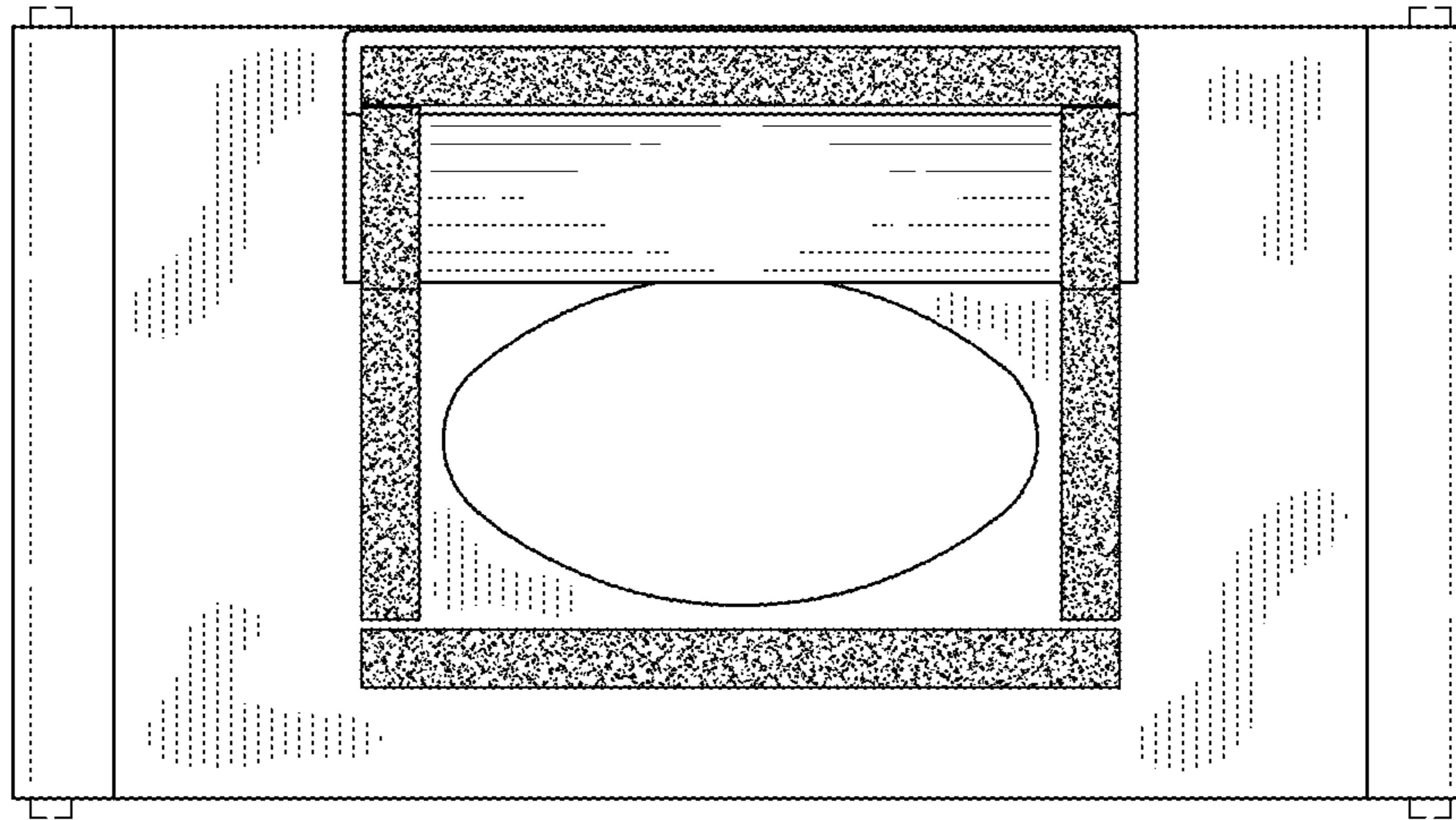


FIG. 3

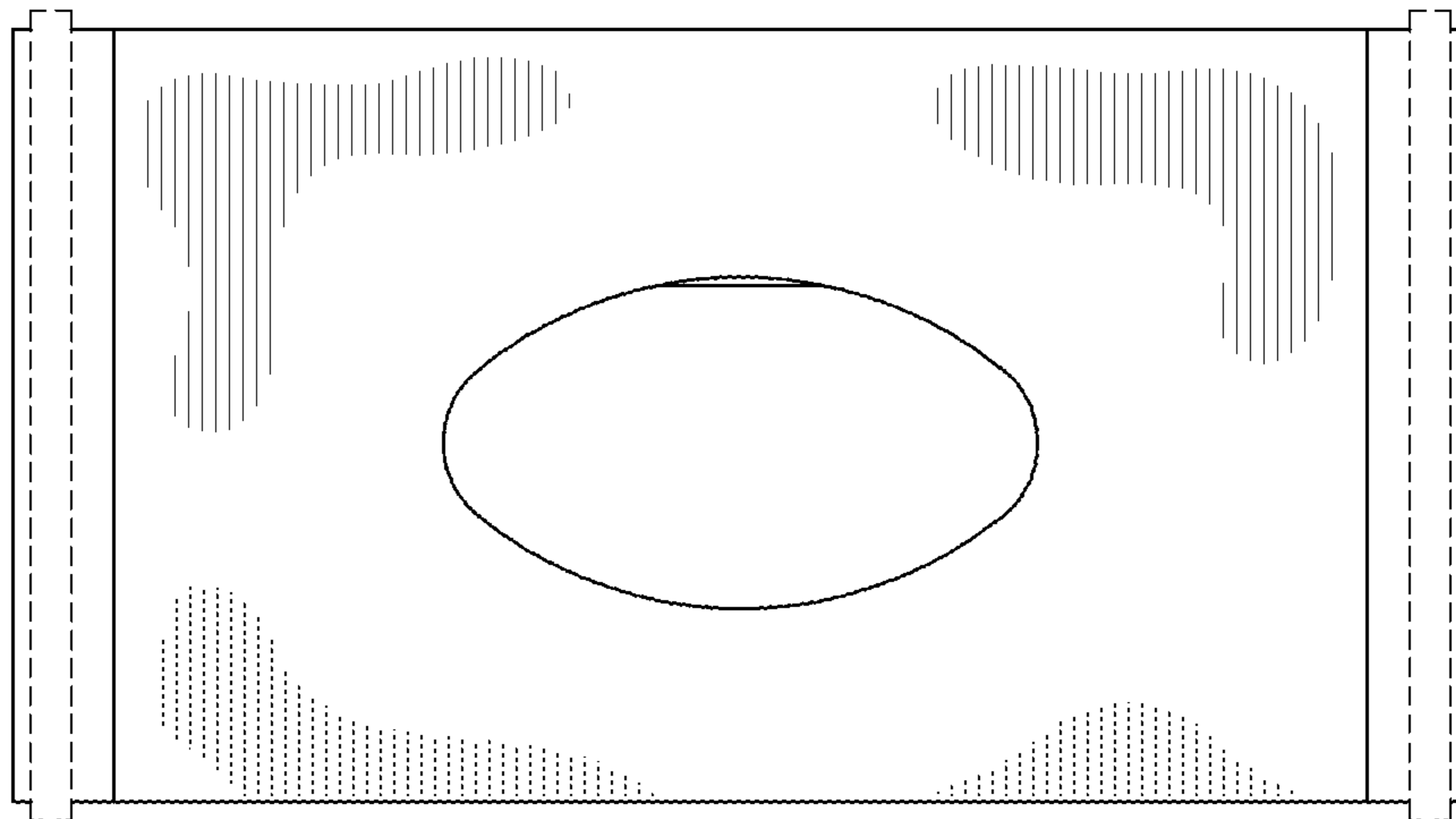


FIG. 4



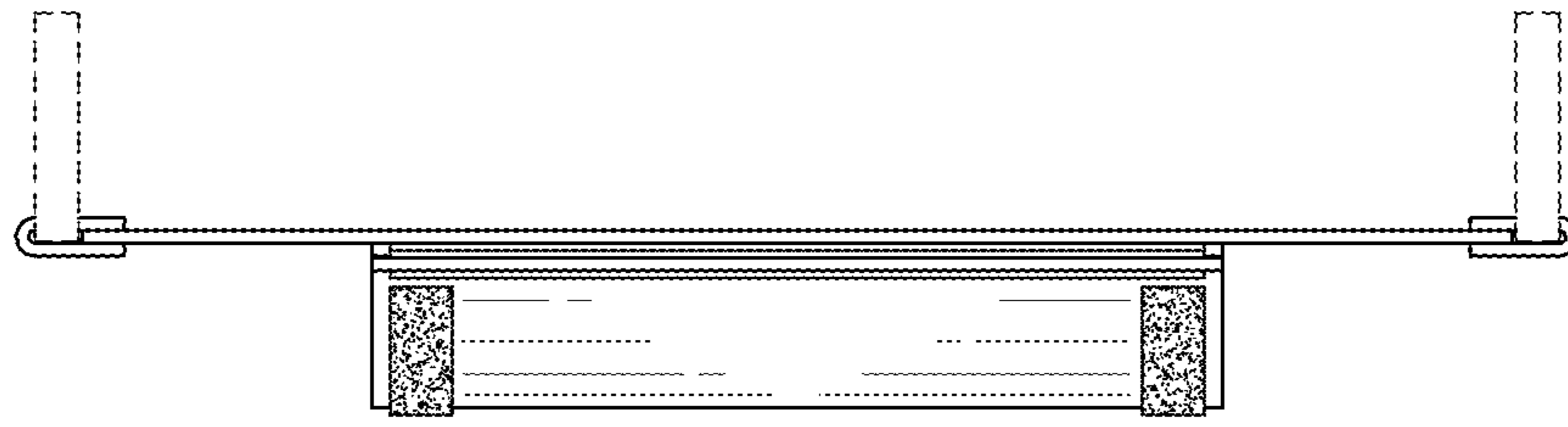


FIG. 5

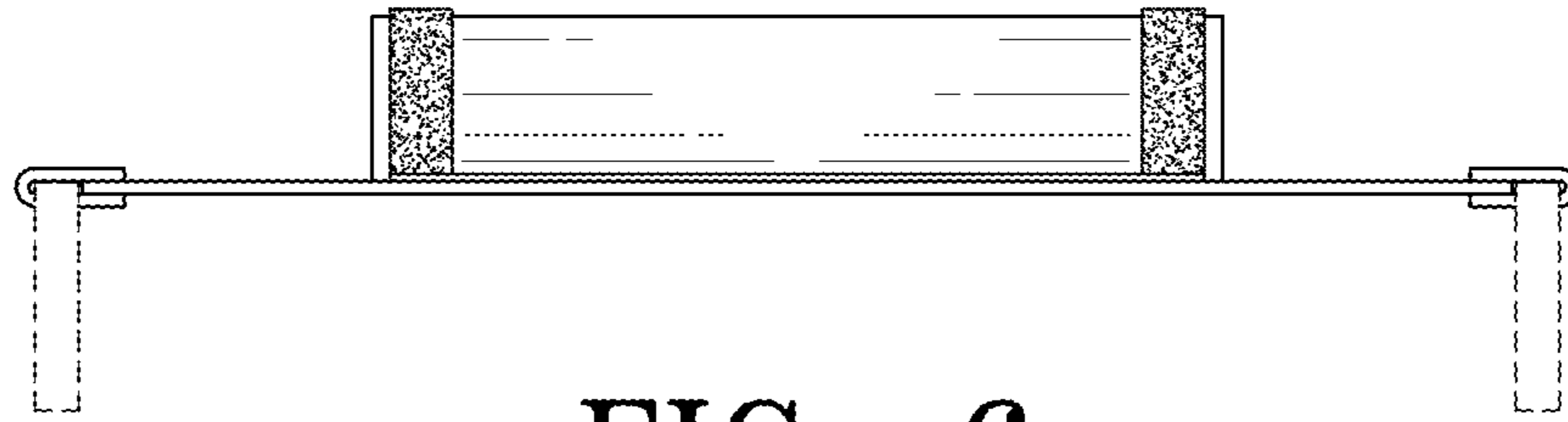


FIG. 6

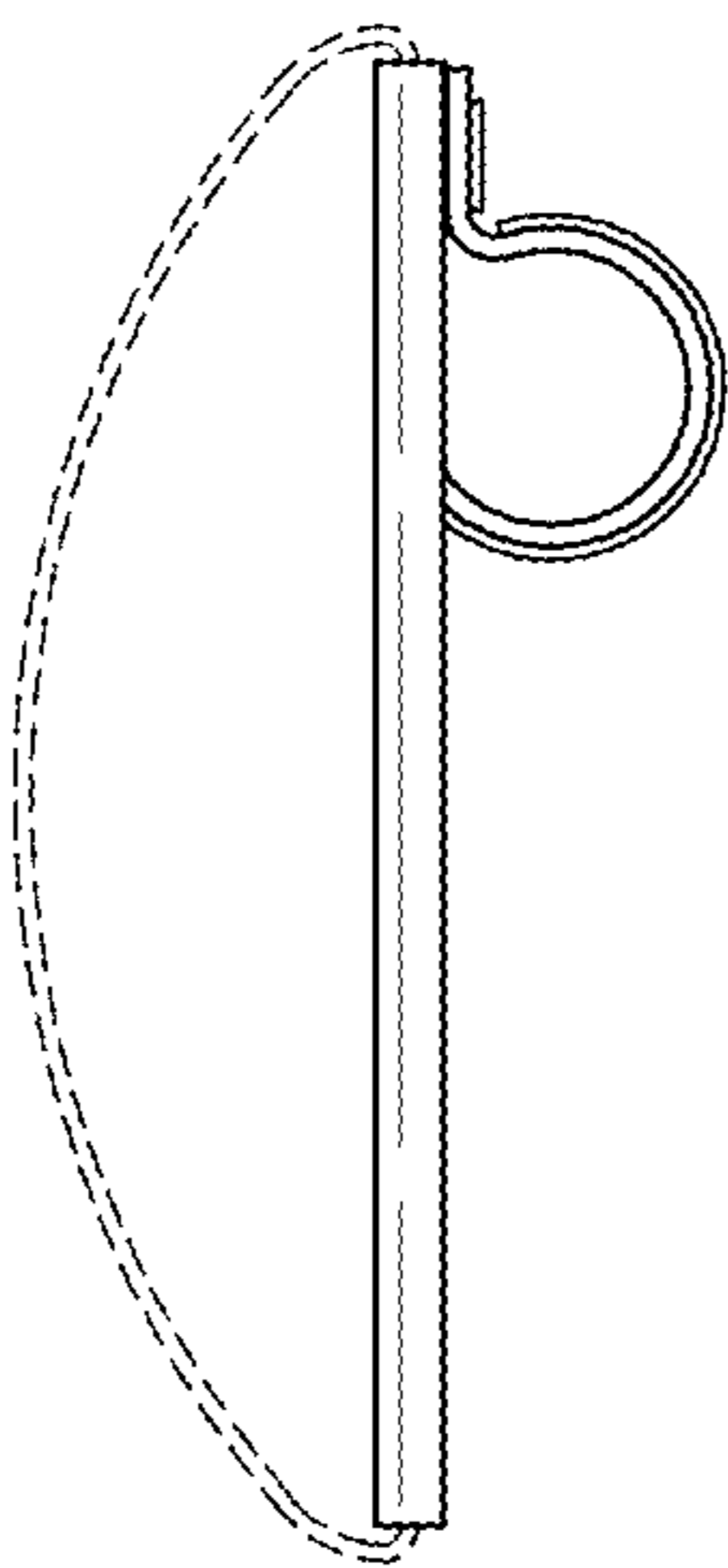


FIG. 7

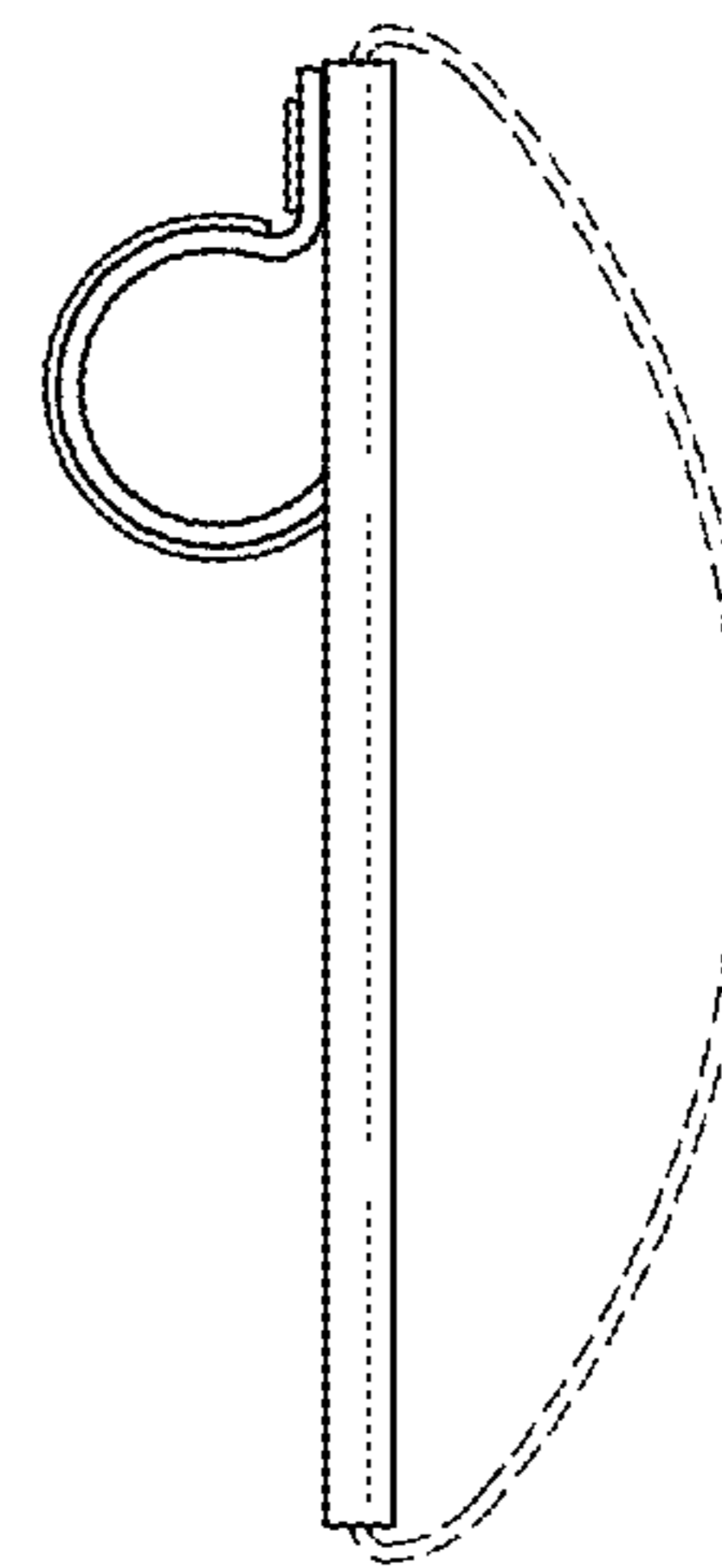


FIG. 8

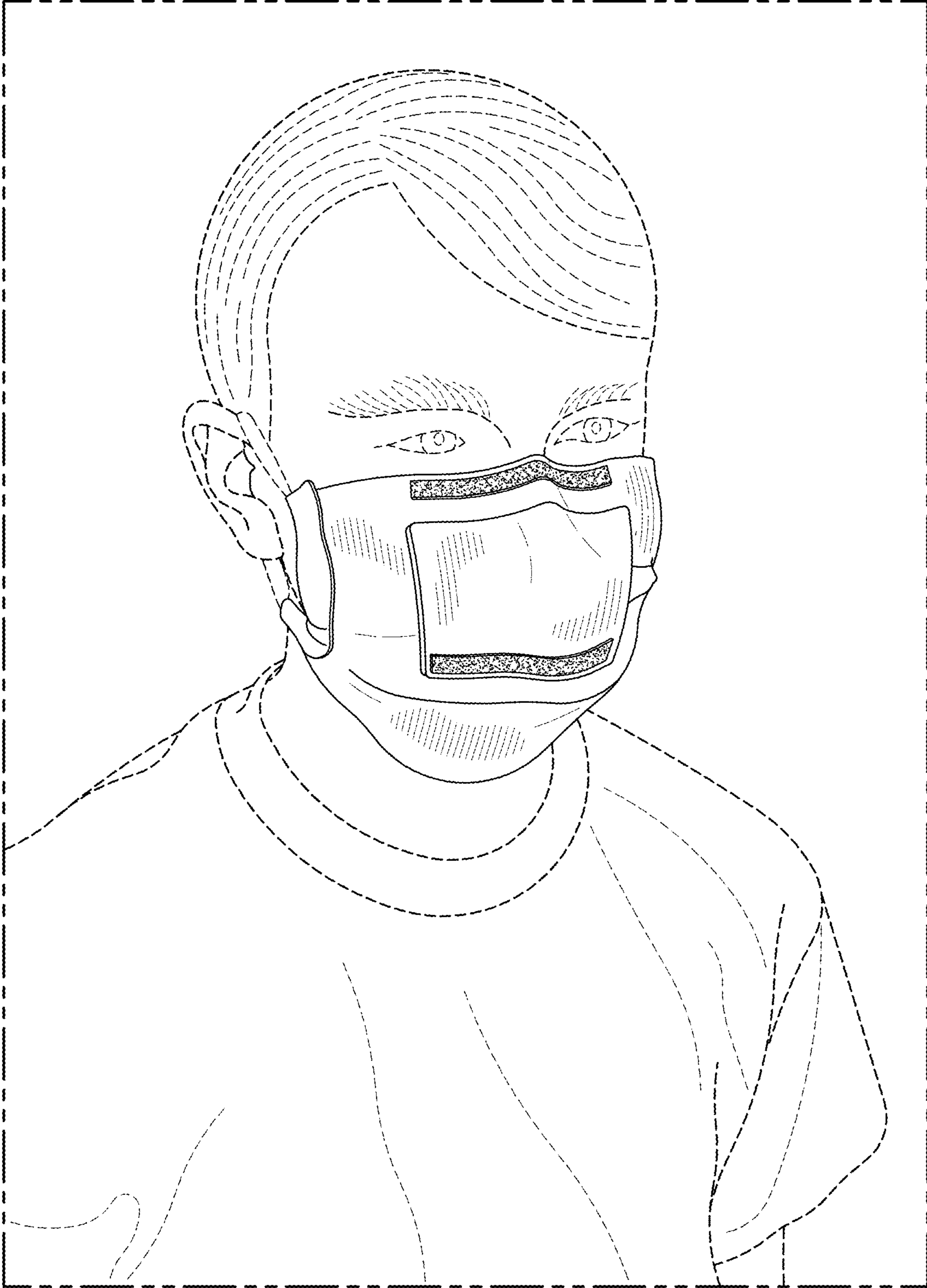


FIG. 9

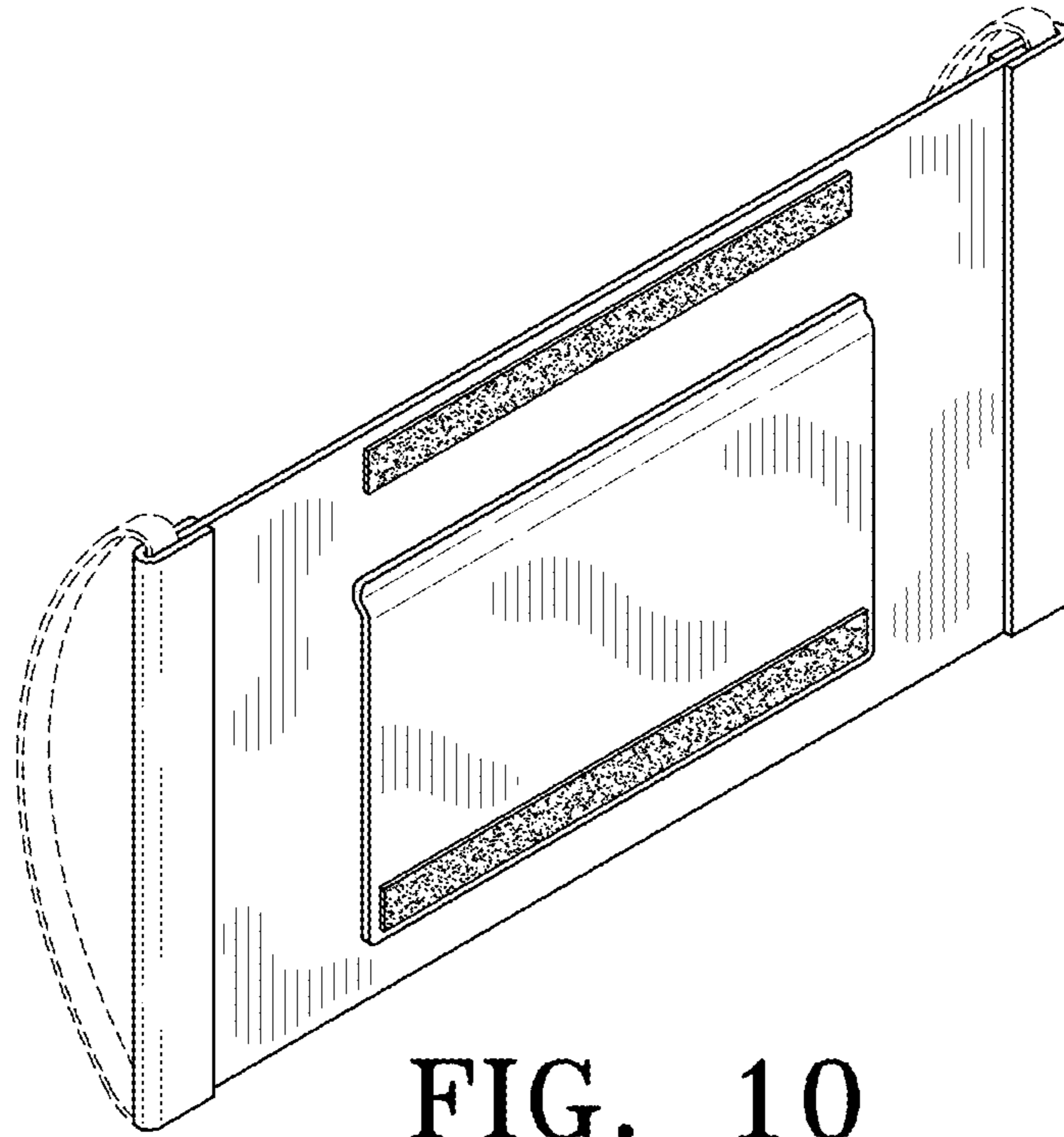


FIG. 10

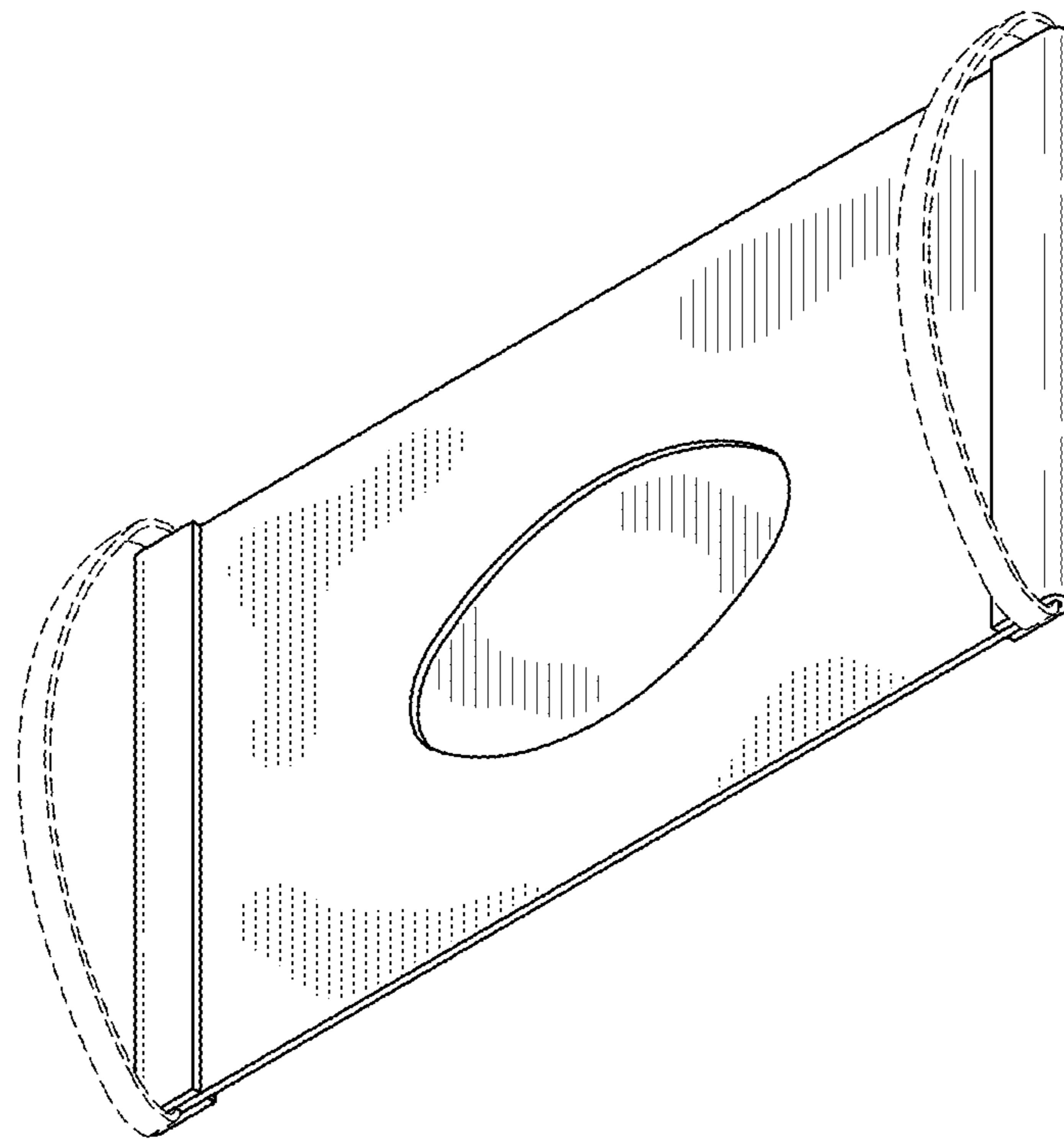


FIG. 11

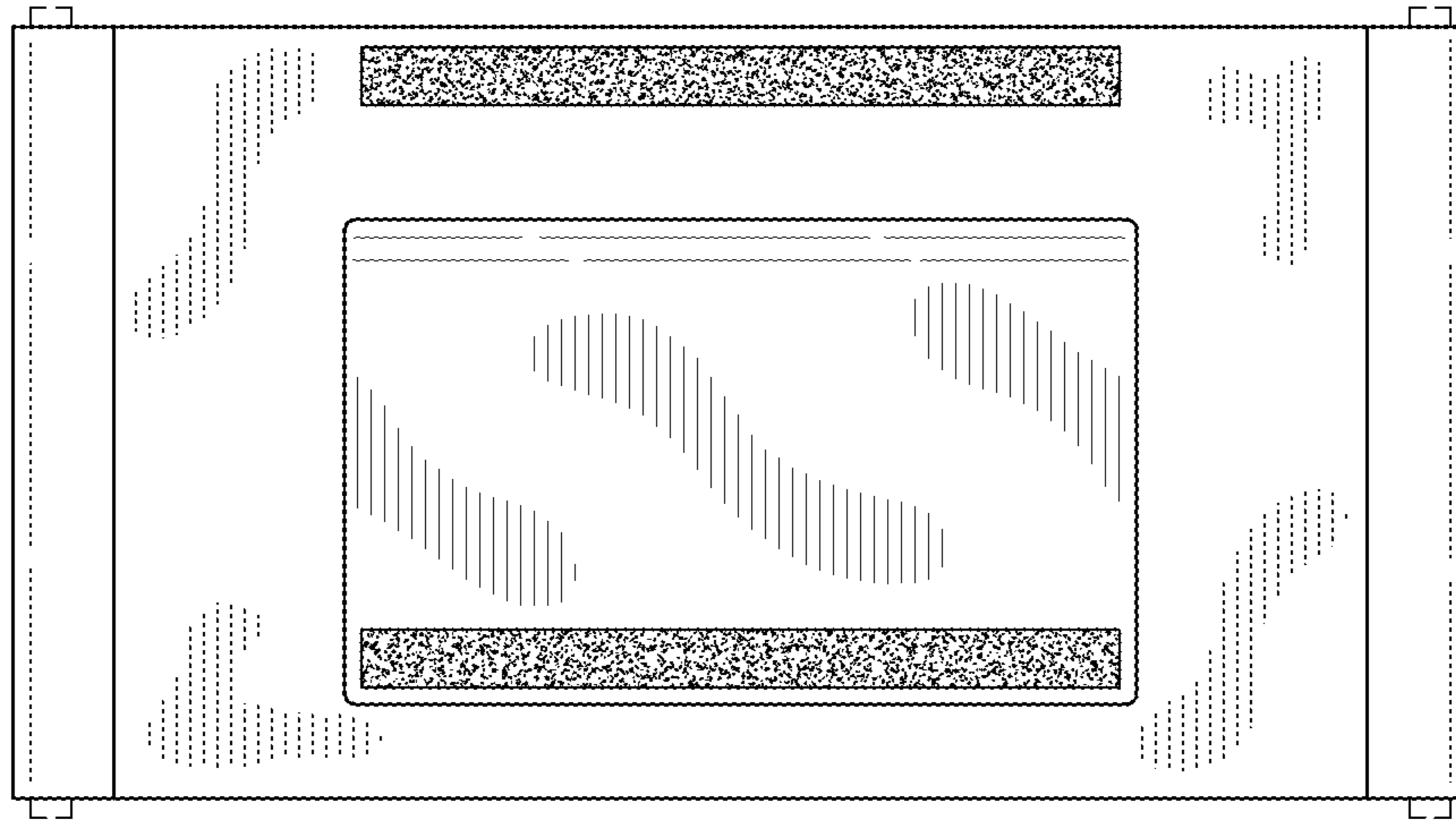


FIG. 12

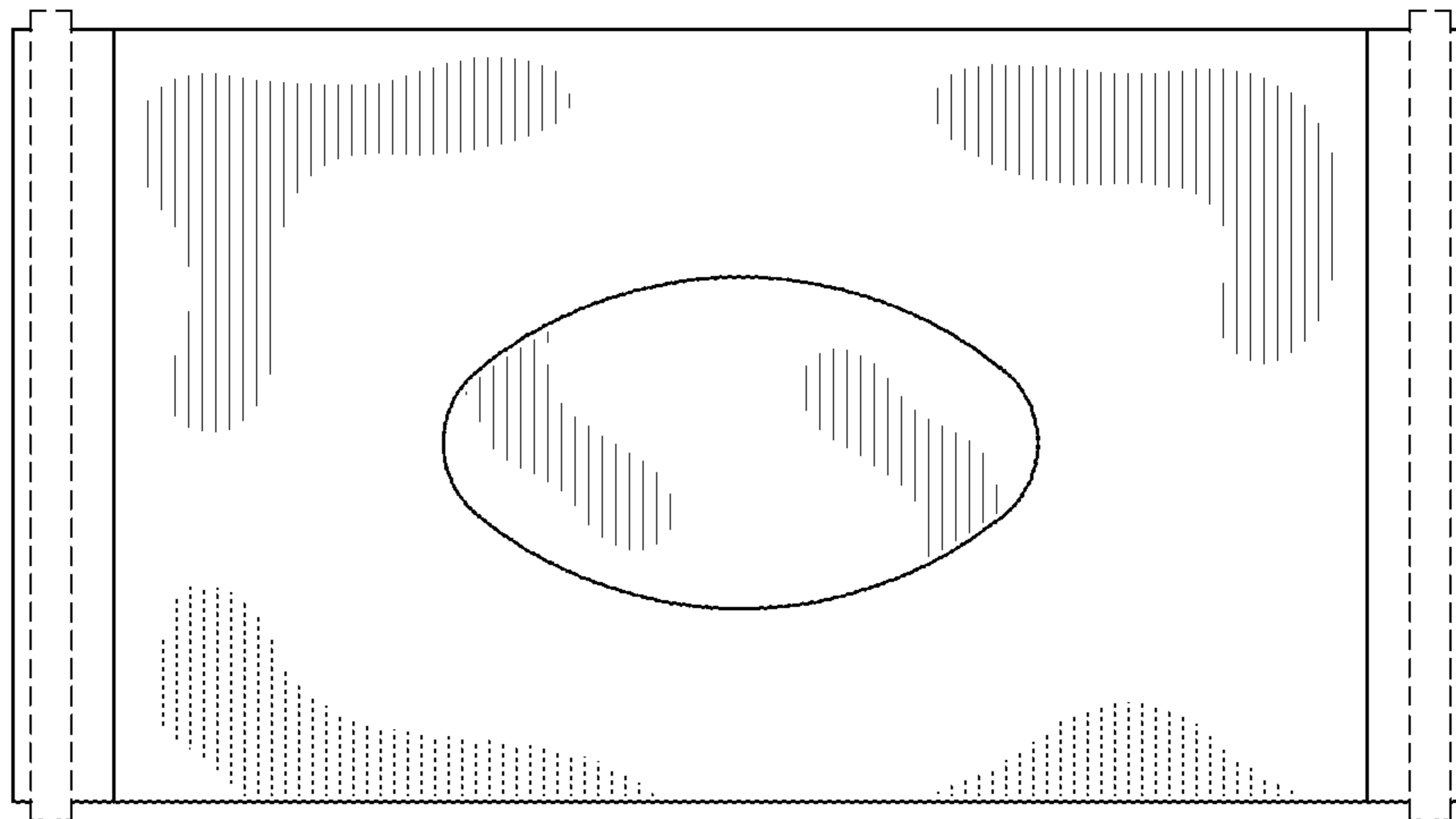


FIG. 13





FIG. 14



FIG. 15

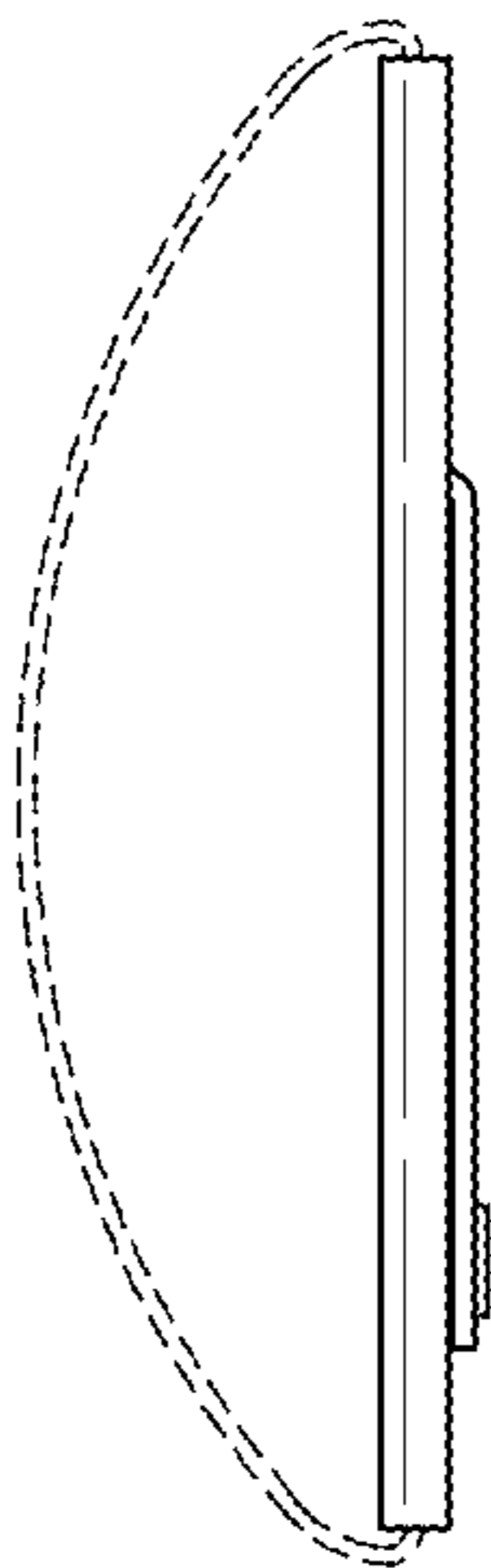


FIG. 16

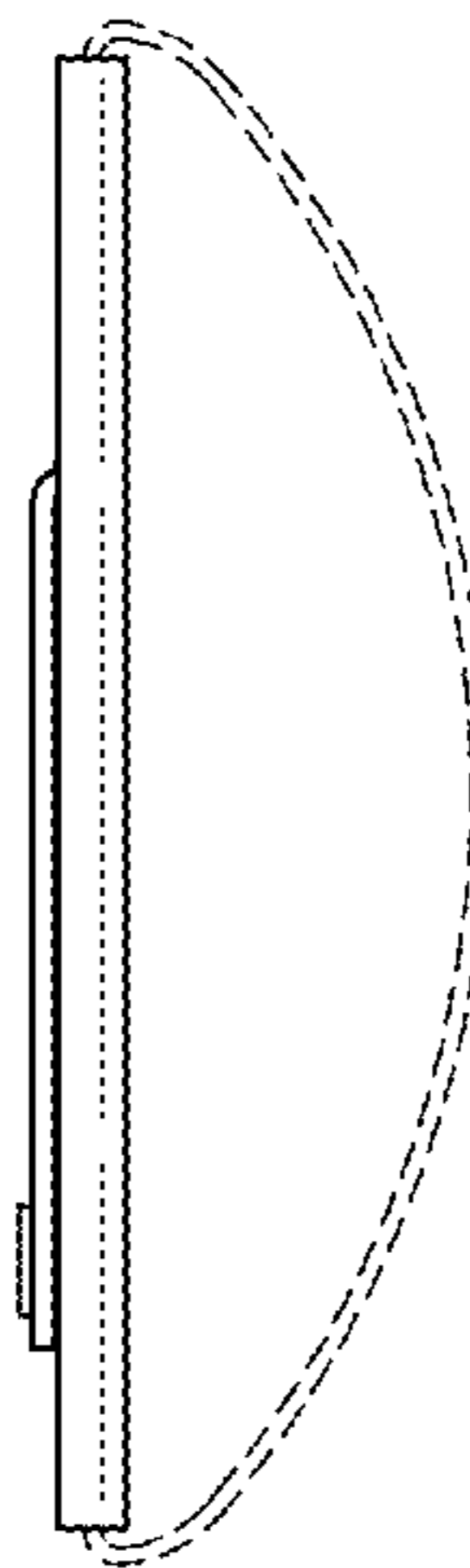


FIG. 17