



US00D937402S

(12) **United States Design Patent**
Zhao

(10) **Patent No.:** **US D937,402 S**

(45) **Date of Patent:** **** Nov. 30, 2021**

(54) **HANDHELD FAN**

(71) Applicant: **Shenzhen Gaoxinde Intelligent Technology Co., Ltd., Shenzhen (CN)**

(72) Inventor: **Jiawei Zhao, Guangdong (CN)**

(73) Assignee: **Shenzhen Gaoxinde Intelligent Technology Co., Ltd., Shenzhen (CN)**

(**) Term: **15 Years**

(21) Appl. No.: **29/772,197**

(22) Filed: **Feb. 26, 2021**

(51) **LOC (13) Cl.** **23-02**

(52) **U.S. Cl.**
USPC **D23/382**

(58) **Field of Classification Search**
USPC D23/370, 378, 380, 381, 382, 411
CPC F04D 25/084; F04D 29/601
See application file for complete search history.

(56) **References Cited**

U.S. PATENT DOCUMENTS

D304,368 S *	10/1989	Suzuki	D23/382
D309,182 S *	7/1990	Hsu	416/63
D414,550 S *	9/1999	Bloom	D23/328
6,155,782 A *	12/2000	Hsu	F04D 25/084
				415/126
6,378,845 B1 *	4/2002	Hsu	F24F 6/00
				239/222.11
D465,840 S *	11/2002	Marchiano	D23/382
D669,976 S *	10/2012	Hsu	D23/382
D727,488 S *	4/2015	Hsu	D23/382
D837,963 S *	1/2019	Xu	D23/382
D841,796 S *	2/2019	Freeland	D23/382

D879,283 S *	3/2020	Liao	D23/382
D881,369 S *	4/2020	Ding	D23/370
D881,371 S *	4/2020	Hollinger	D23/382
D885,554 S *	5/2020	Puglia, Sr.	D23/379
D885,555 S *	5/2020	Wang	D23/382
D893,699 S *	8/2020	Zhu	D23/382
D898,180 S *	10/2020	Du	D23/382
D902,373 S *	11/2020	Xu	D23/382
D907,187 S	1/2021	Li		
D907,757 S	1/2021	Miyawaki		
2010/0290907 A1 *	11/2010	Wark	F24H 3/0417
				416/63
2016/0356279 A1 *	12/2016	Xu	F04D 29/327
2018/0355875 A1 *	12/2018	Freeland	F04D 25/084

* cited by examiner

Primary Examiner — Janice Hallmark

(74) *Attorney, Agent, or Firm* — ScienBiziP, P.C.

(57) **CLAIM**

The ornamental design for a handheld fan, as shown and described.

DESCRIPTION

FIG. 1 is a front, left, and top perspective view of a handheld fan, showing my design.

FIG. 2 is a front elevation view thereof.

FIG. 3 is a rear elevation view thereof.

FIG. 4 is a left side elevation view thereof.

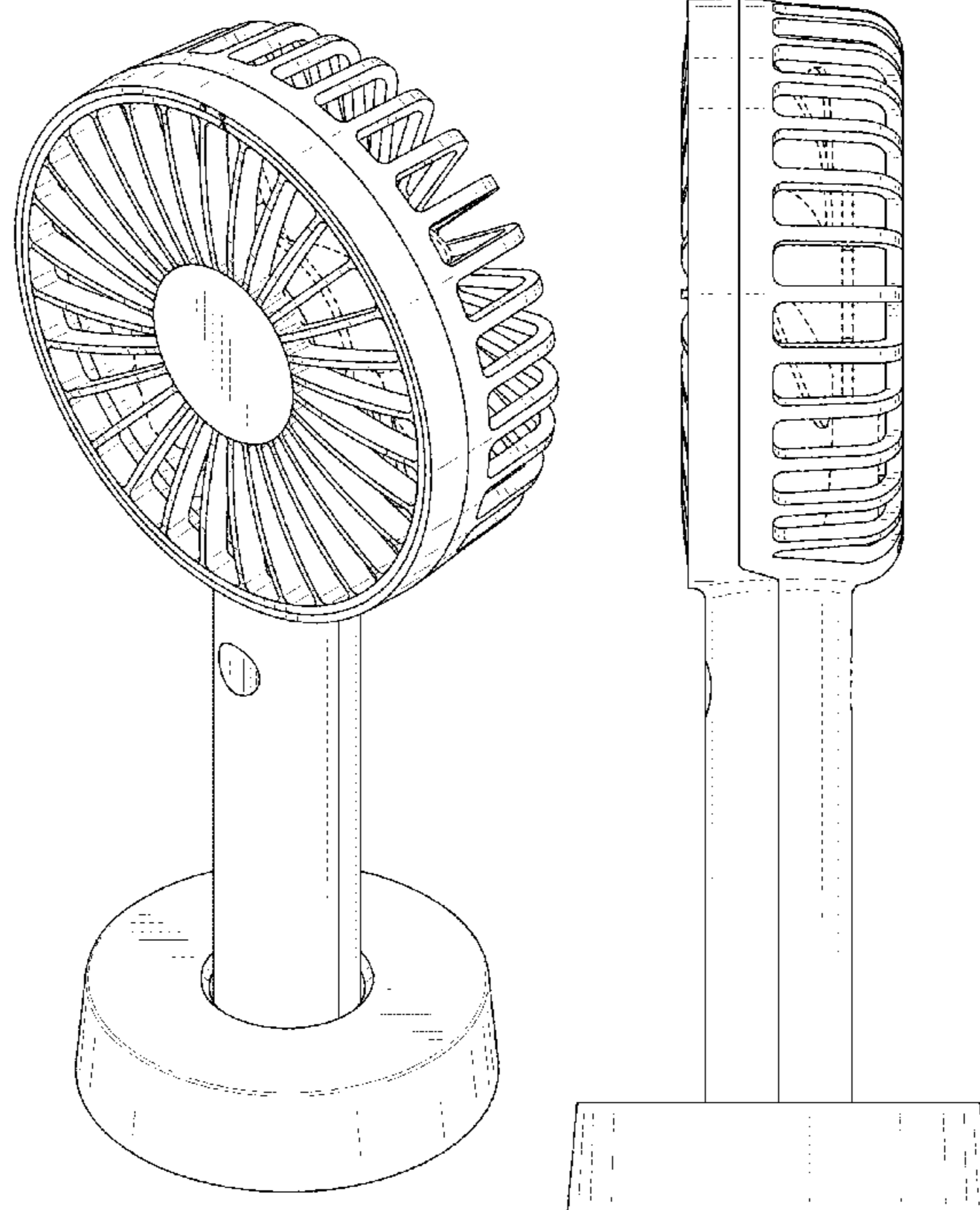
FIG. 5 is a right side elevation view thereof.

FIG. 6 is a top plan view thereof; and,

FIG. 7 is a bottom plan view thereof.

The broken lines shown in the drawings are included for the purpose of illustrating portions of the handheld fan that form no part of the claimed design.

1 Claim, 7 Drawing Sheets



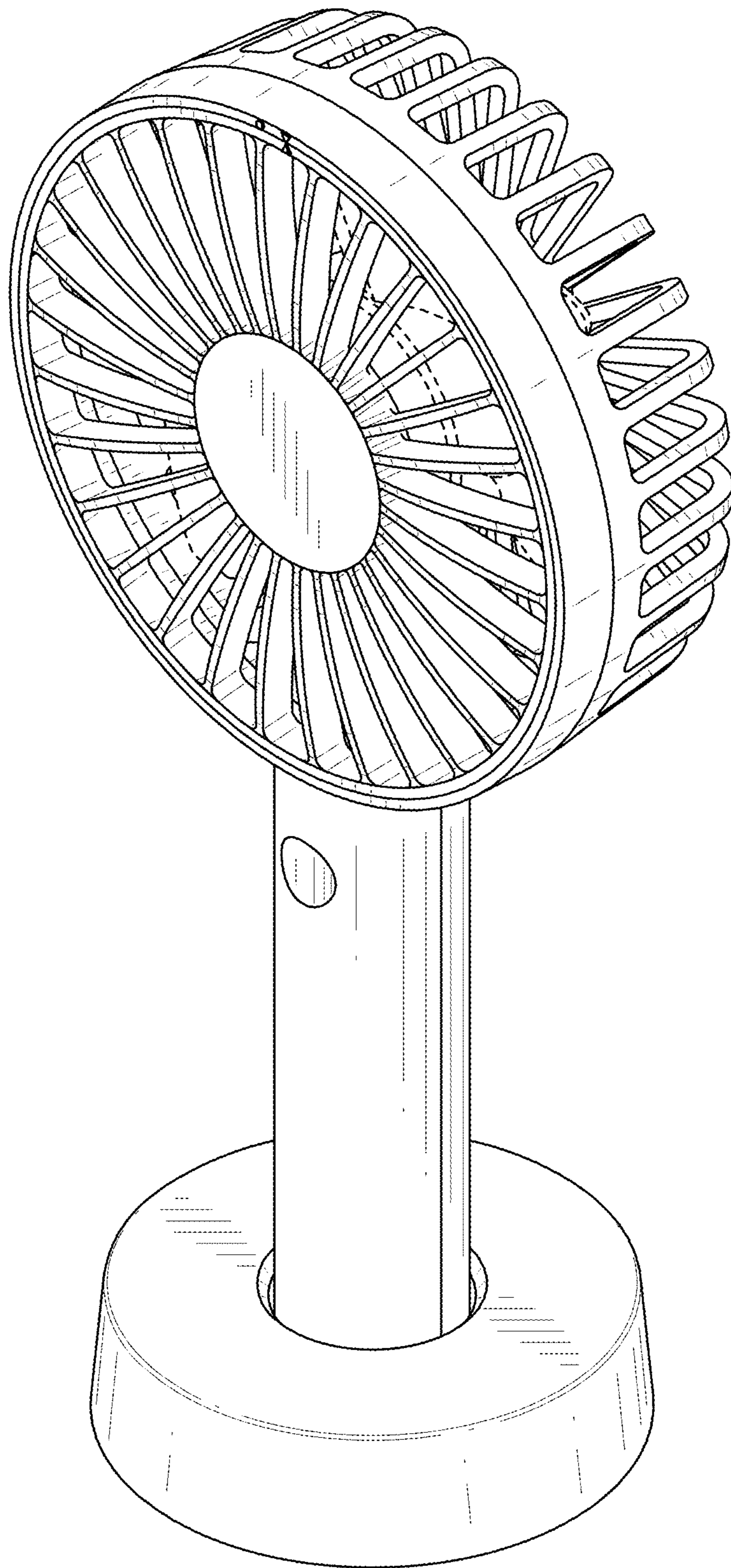


FIG. 1

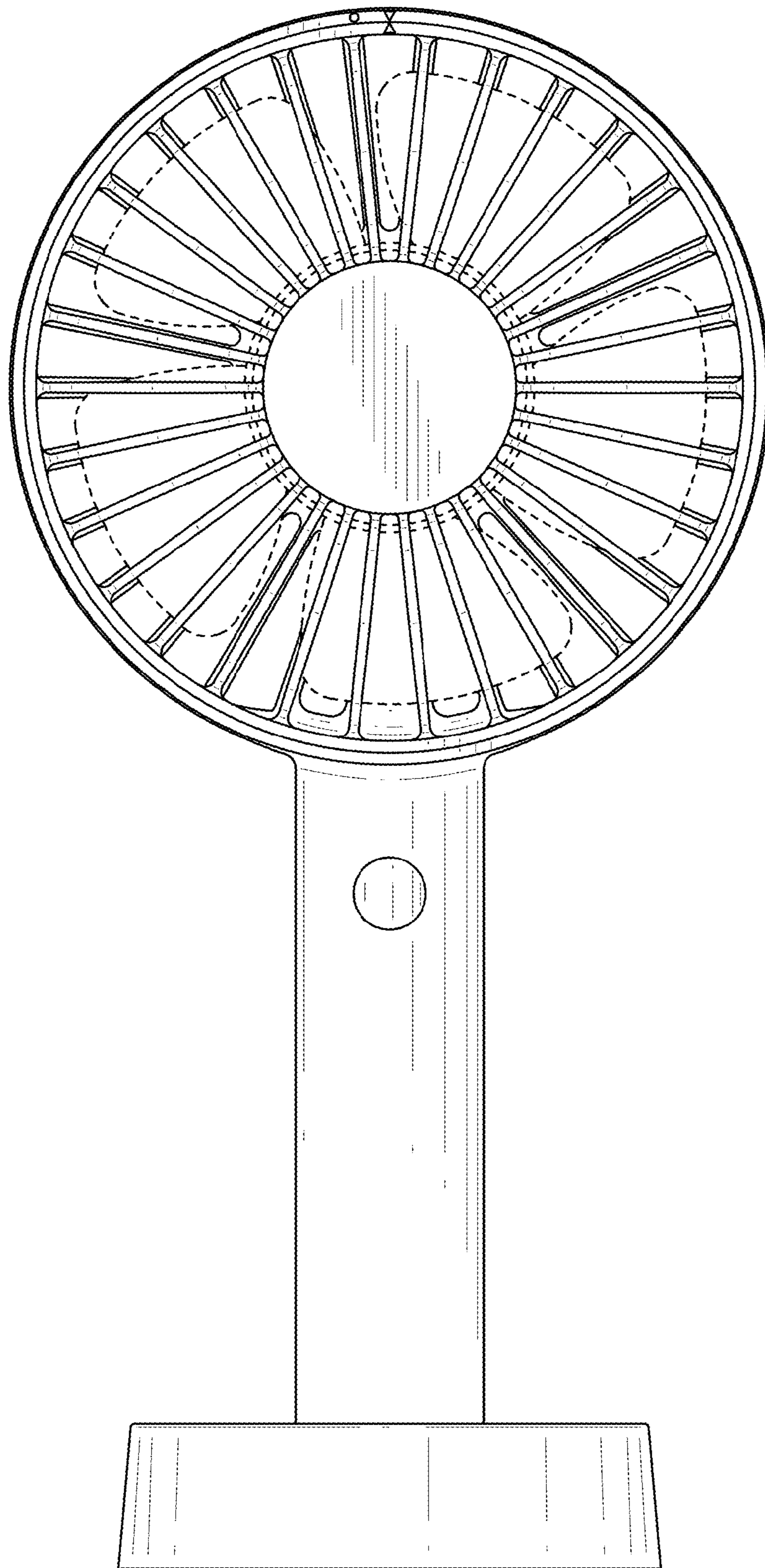


FIG.2

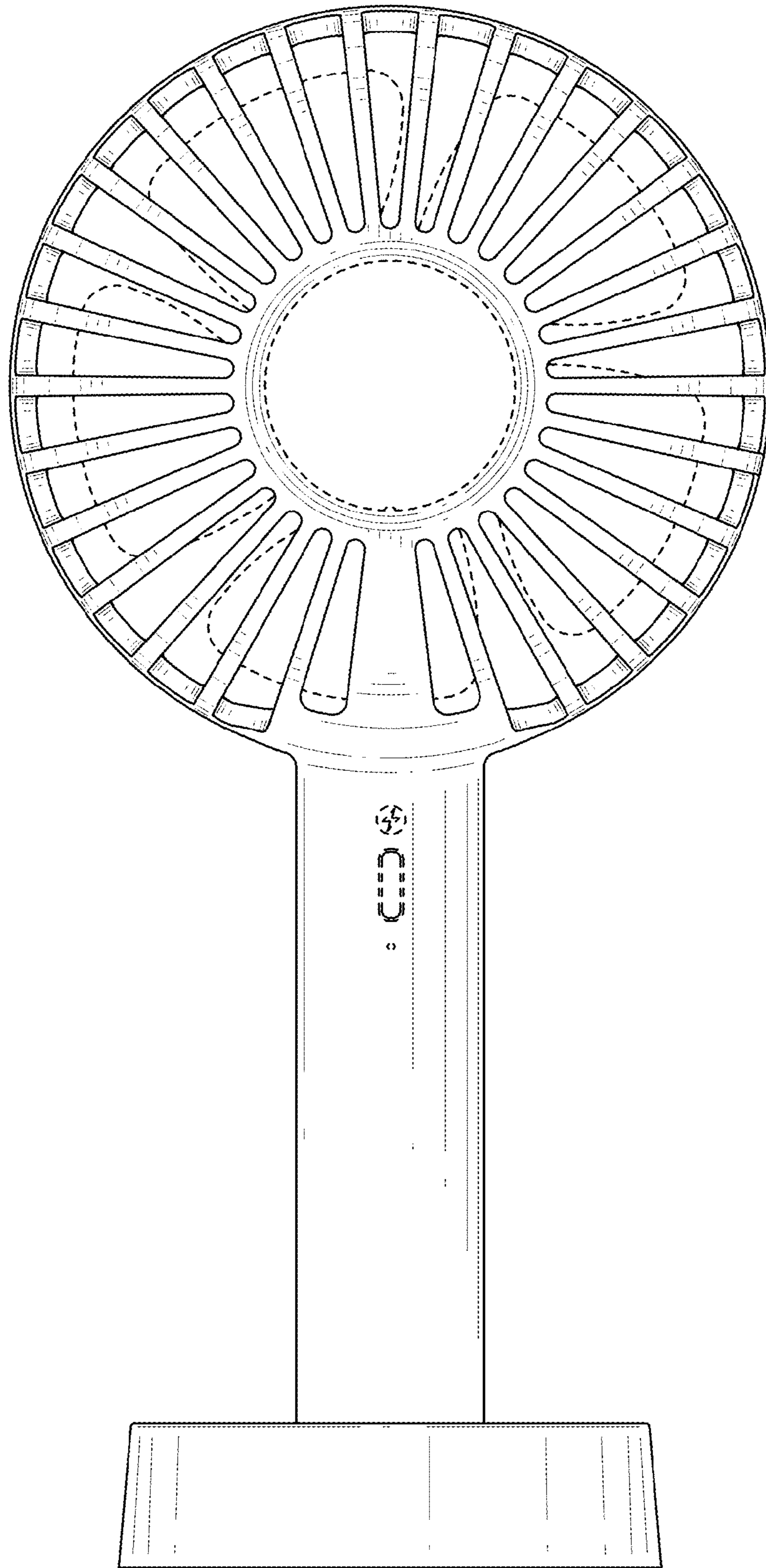


FIG.3

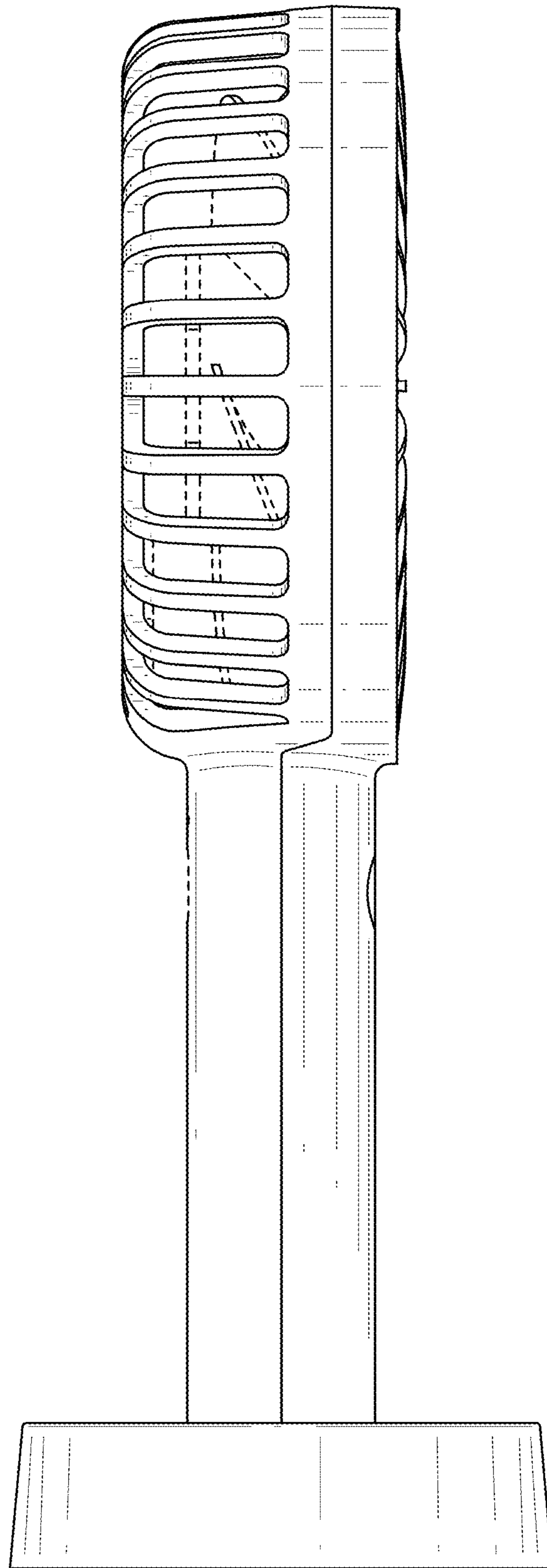


FIG.4

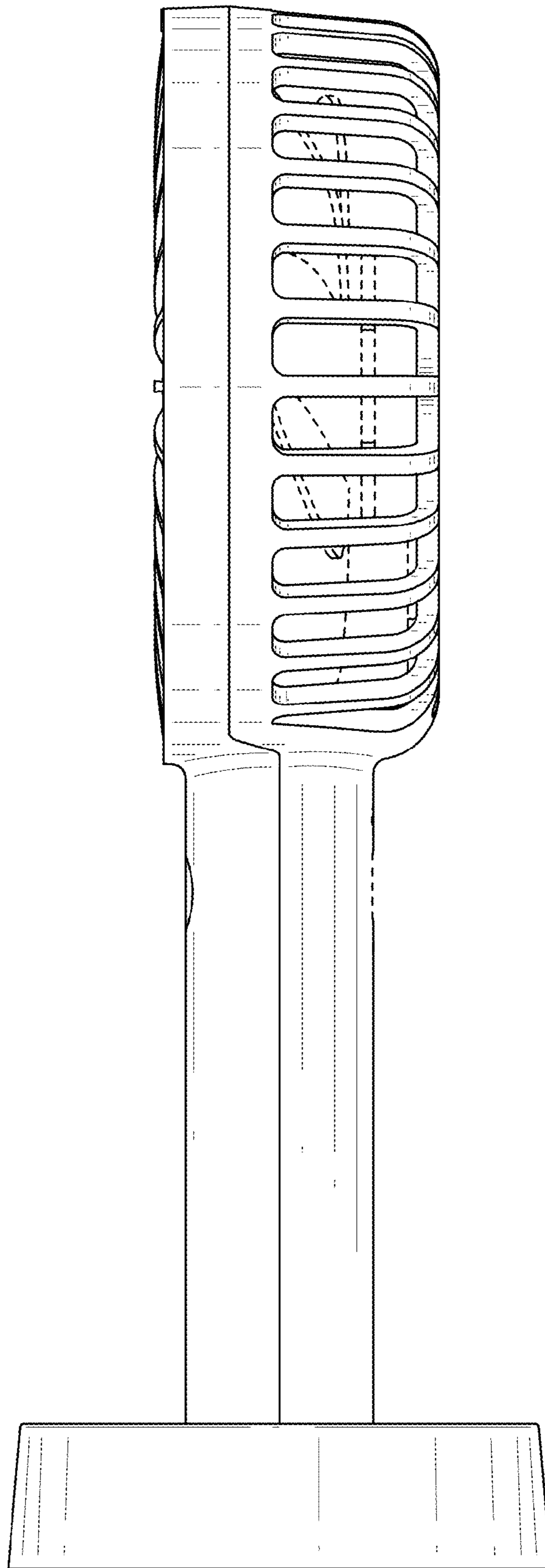


FIG.5

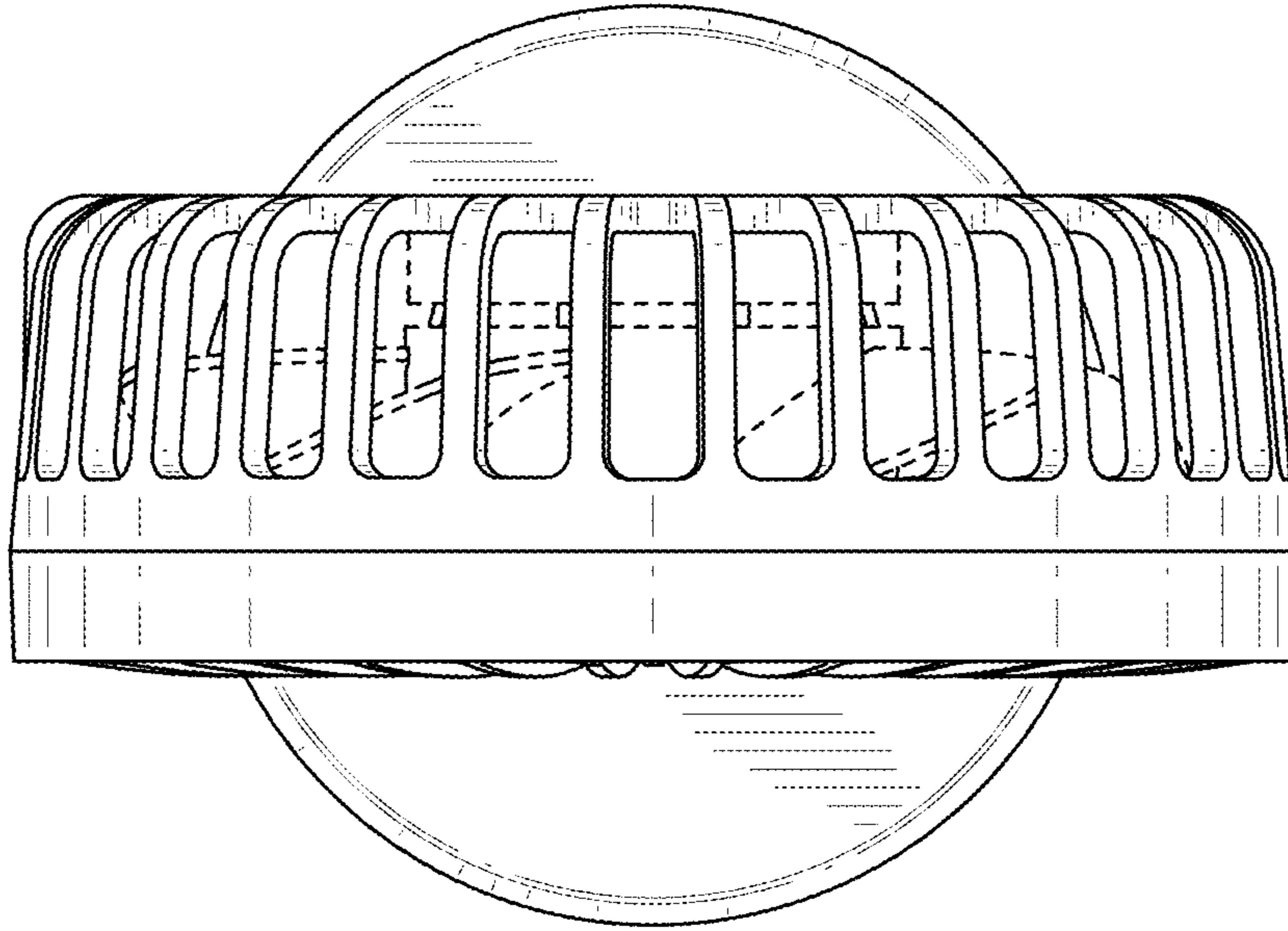


FIG.6

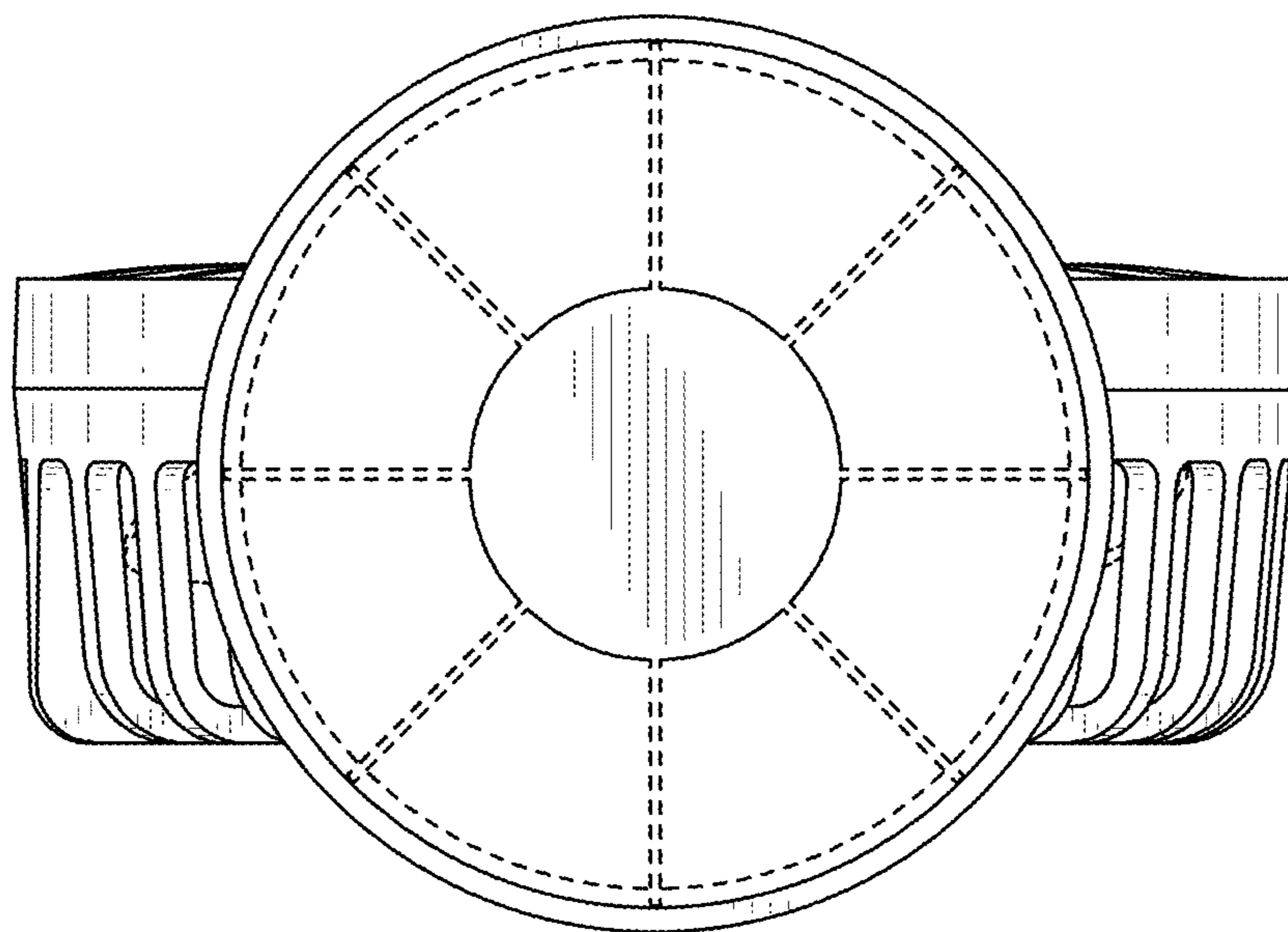


FIG.7