



US00D937401S

(12) **United States Design Patent** (10) **Patent No.:** **US D937,401 S**
Zhao et al. (45) **Date of Patent:** **** Nov. 30, 2021**

(54) **TOWER FAN**
(71) Applicant: **E2 Limited**, Hong Kong (CN)
(72) Inventors: **Hebing Zhao**, Dongguan (CN); **Foping Luo**, Dongguan (CN)
(73) Assignee: **E2 LIMITED**, Hong Kong (CN)
(**) Term: **15 Years**
(21) Appl. No.: **29/734,222**
(22) Filed: **May 11, 2020**
(51) **LOC (13) Cl.** **23-04**
(52) **U.S. Cl.**
USPC **D23/378**
(58) **Field of Classification Search**
USPC D23/332, 333, 335-337, 364, 370, 379,
D23/381-383, 378
CPC F04D 25/08; F04D 29/38; F04D 29/384;
F04D 29/386; F04D 29/48; F04D 17/04;
F04D 25/10; F24H 3/0417
See application file for complete search history.

6,942,456 B2 9/2005 Shapiro
D510,989 S 10/2005 Dooley
D510,993 S 10/2005 Fok
6,953,322 B2 10/2005 Lim
D513,071 S * 12/2005 Lee D23/378
6,973,260 B2 12/2005 Orr
D514,687 S 2/2006 Dooley
D521,144 S 5/2006 Lai
D521,629 S 5/2006 Shapiro
(Continued)

OTHER PUBLICATIONS

Costco Sale: Sunter Tower Fan Combo, date posted Mar. 23, 2017, site visited Jan. 29, 2021, <<https://www.frugalhotspot.com/2017/03/sunter-tower-fan-combo/>>.*

(Continued)

Primary Examiner — Sharon S Oum
(74) *Attorney, Agent, or Firm* — Garson & Gutierrez, PC

(57) **CLAIM**

The ornamental design for a tower fan, as shown and described.

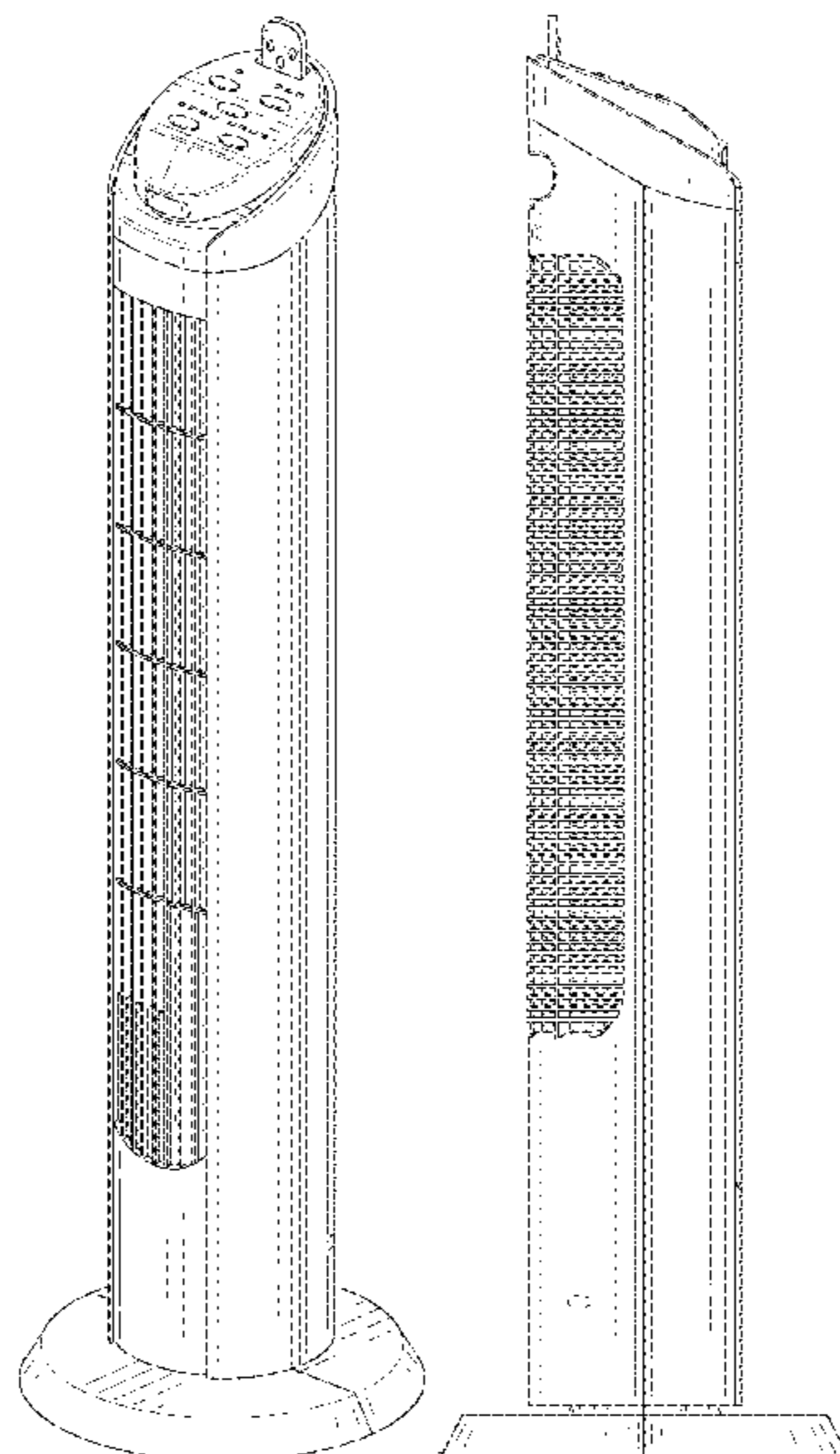
DESCRIPTION

FIG. 1 is a perspective view of a tower fan, showing our new design;
FIG. 2 is a front side elevation view of the tower fan of FIG. 1;
FIG. 3 is a back side elevation of the tower fan of FIG. 1;
FIG. 4 is a right side elevation view of the tower fan of FIG. 1;
FIG. 5 is a left side elevation view of the tower fan of FIG. 1;
FIG. 6 is a top plan view of the tower fan of FIG. 1; and,
FIG. 7 is a bottom plan view of the tower fan of FIG. 1.
The features shown in broken lines illustrate portions of the tower fan that form no part of the claimed design.

1 Claim, 4 Drawing Sheets

(56) **References Cited**
U.S. PATENT DOCUMENTS

D315,598 S	3/1991	Yamamoto
D322,669 S	12/1991	Yamamoto
5,266,004 A	11/1993	Tsumurai
D389,567 S	1/1998	Gudefin
D423,093 S	4/2000	Fok
D433,494 S	11/2000	Pinchuk
D464,723 S	10/2002	Fok
D468,414 S	1/2003	Fok
D479,593 S	9/2003	Fok
D479,743 S	9/2003	Fok
D479,874 S	9/2003	Shapiro
D483,466 S	12/2003	Shapiro
D483,851 S	12/2003	Fok
D486,217 S	2/2004	Shapiro
D488,551 S	4/2004	Shapiro



(56)

References Cited

U.S. PATENT DOCUMENTS

D522,124 S 5/2006 Bucher
 D525,691 S 7/2006 Russak
 D528,197 S 9/2006 Fok
 D528,201 S 9/2006 Shapiro
 D528,202 S 9/2006 Shapiro
 D528,203 S 9/2006 Shapiro
 D528,650 S 9/2006 Shapiro
 D529,160 S 9/2006 Li
 7,118,323 B2 10/2006 Iyer
 D531,717 S 11/2006 Tim
 7,158,716 B2 1/2007 Shapiro
 D539,411 S 3/2007 Fok
 7,217,098 B2 5/2007 Lim
 D548,828 S 8/2007 Wang
 D552,227 S 10/2007 Bucher
 7,291,207 B2 11/2007 Taylor
 7,311,762 B2 12/2007 Taylor
 D562,953 S 2/2008 Lewis
 D566,253 S 4/2008 Shapiro
 D572,350 S 7/2008 Shapiro
 D574,476 S 8/2008 Spiegel
 D578,191 S 10/2008 Gao
 D580,541 S 11/2008 Bucher
 D581,038 S 11/2008 Boswell
 D582,538 S 12/2008 Catrino
 D586,450 S 2/2009 Lewis
 D588,251 S 3/2009 Spiegel
 D588,686 S 3/2009 Spiegel
 D594,110 S 6/2009 Bucher
 D595,395 S 6/2009 Lewis
 D603,036 S 10/2009 Boswell
 D620,097 S 7/2010 Bucher
 7,767,169 B2 8/2010 Snyder

D627,867 S 11/2010 Haishan
 D634,836 S 3/2011 Lewis
 7,959,869 B2 6/2011 Taylor
 8,167,542 B1 5/2012 Owusu
 D685,078 S 6/2013 Sidell
 8,655,159 B2 2/2014 Tai
 9,308,538 B2 4/2016 Genereux
 D799,671 S 10/2017 Deffrennes
 D804,007 S * 11/2017 Cartwright D23/378
 D814,000 S 3/2018 Qiao
 D829,319 S 9/2018 Chen
 10,179,336 B2 1/2019 Genereux
 D841,795 S 2/2019 Chen
 D846,109 S 4/2019 Koehler
 D879,938 S * 3/2020 Rubin D23/378
 D906,507 S * 12/2020 Kimball D23/378
 2005/0053465 A1 3/2005 Roach
 2005/0123392 A1 6/2005 Belsito
 2005/0238478 A1 10/2005 Belsito
 2006/0045742 A1 3/2006 Ngan
 2006/0093463 A1 * 5/2006 Iyer F04D 17/04
 415/53.1
 2006/0264166 A1 11/2006 Ngan
 2007/0209701 A1 9/2007 Lasko
 2011/0294413 A1 12/2011 Perella
 2012/0216985 A1 * 8/2012 Tai F24F 1/005
 165/59

OTHER PUBLICATIONS

Blackstone International, Ltd. Cascade 40-inch tower fan instruction manual, 2018, pp. 1-4, Windsor Mill, MD 21244.
 Blackstone International, Ltd. Sunter 13-inch personal fan instruction manual, 2016, pp. 1-2, Windsor Mill, MD 21244.

* cited by examiner

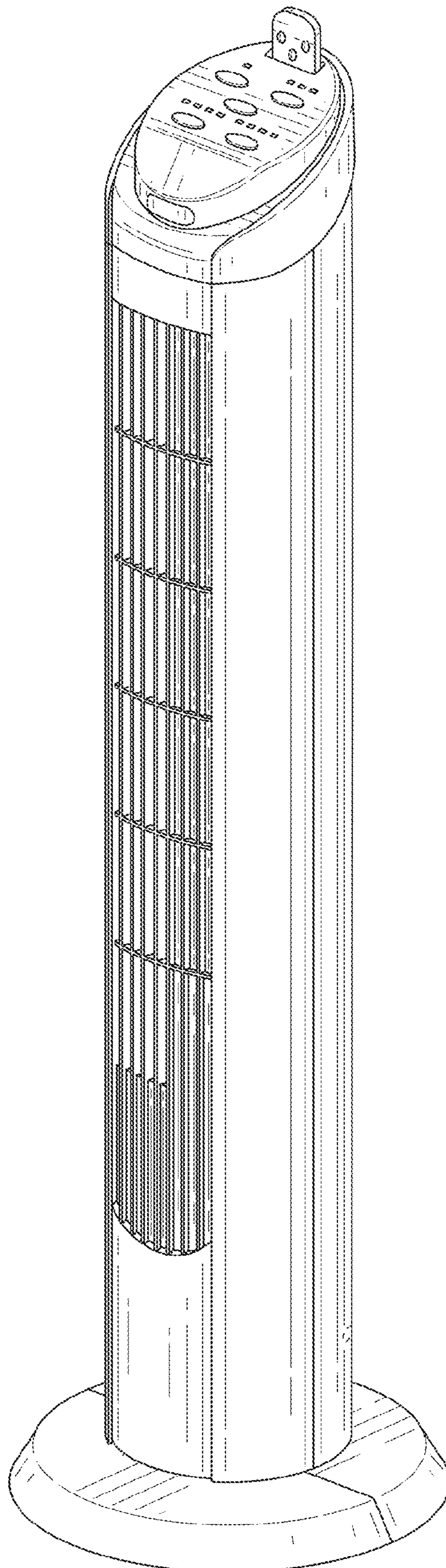


FIG. 1

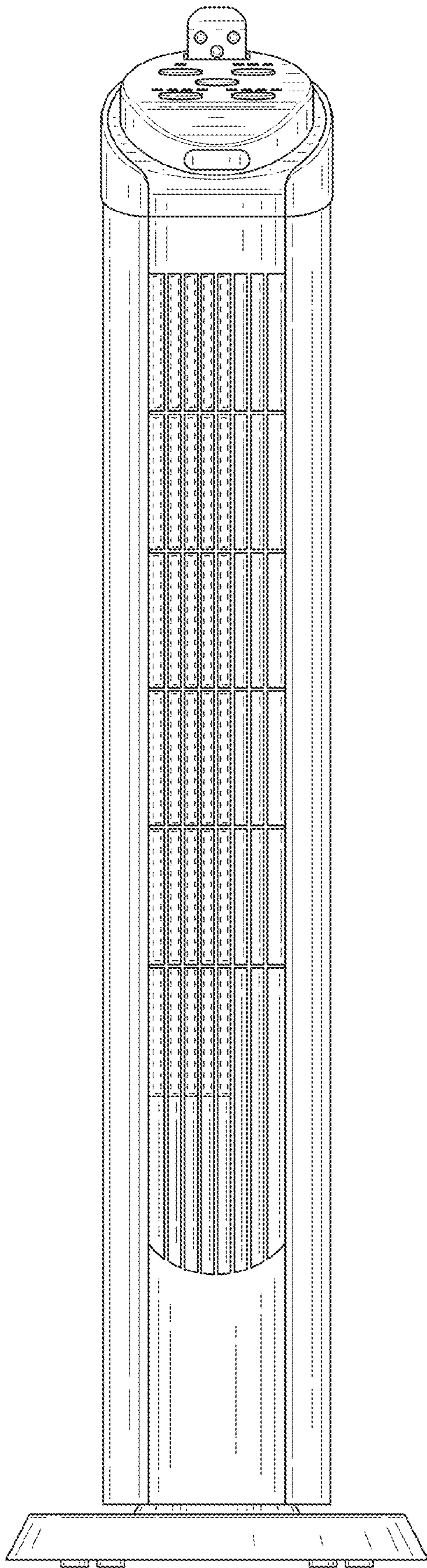


FIG. 2

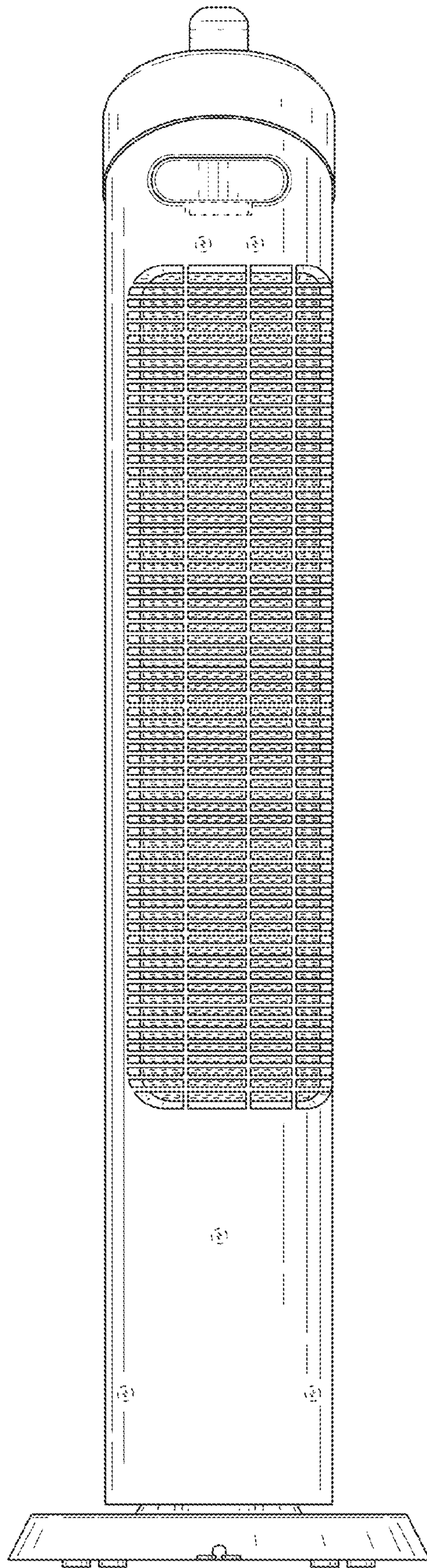
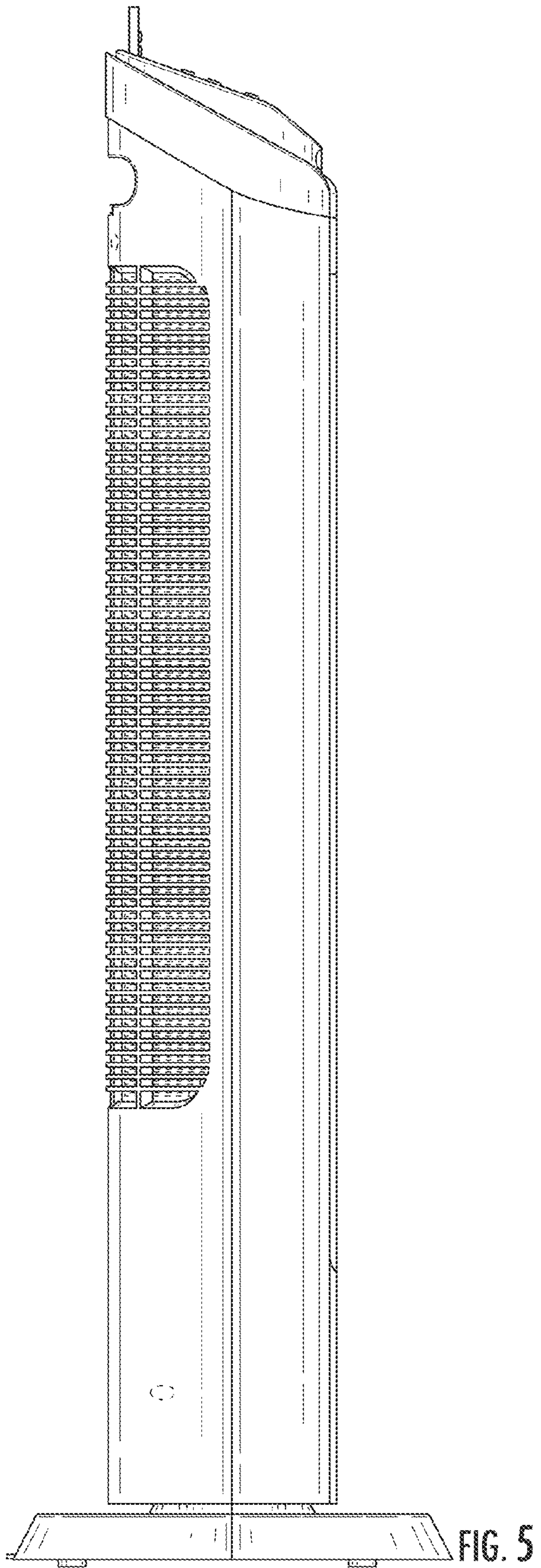
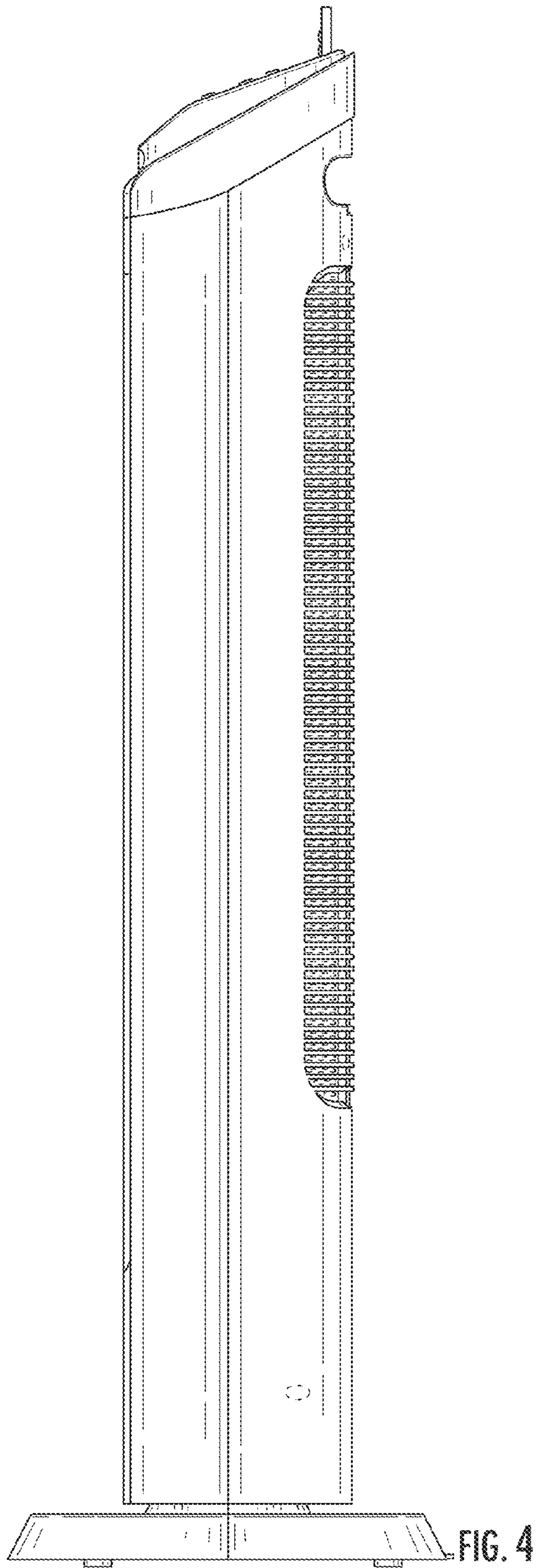


FIG. 3



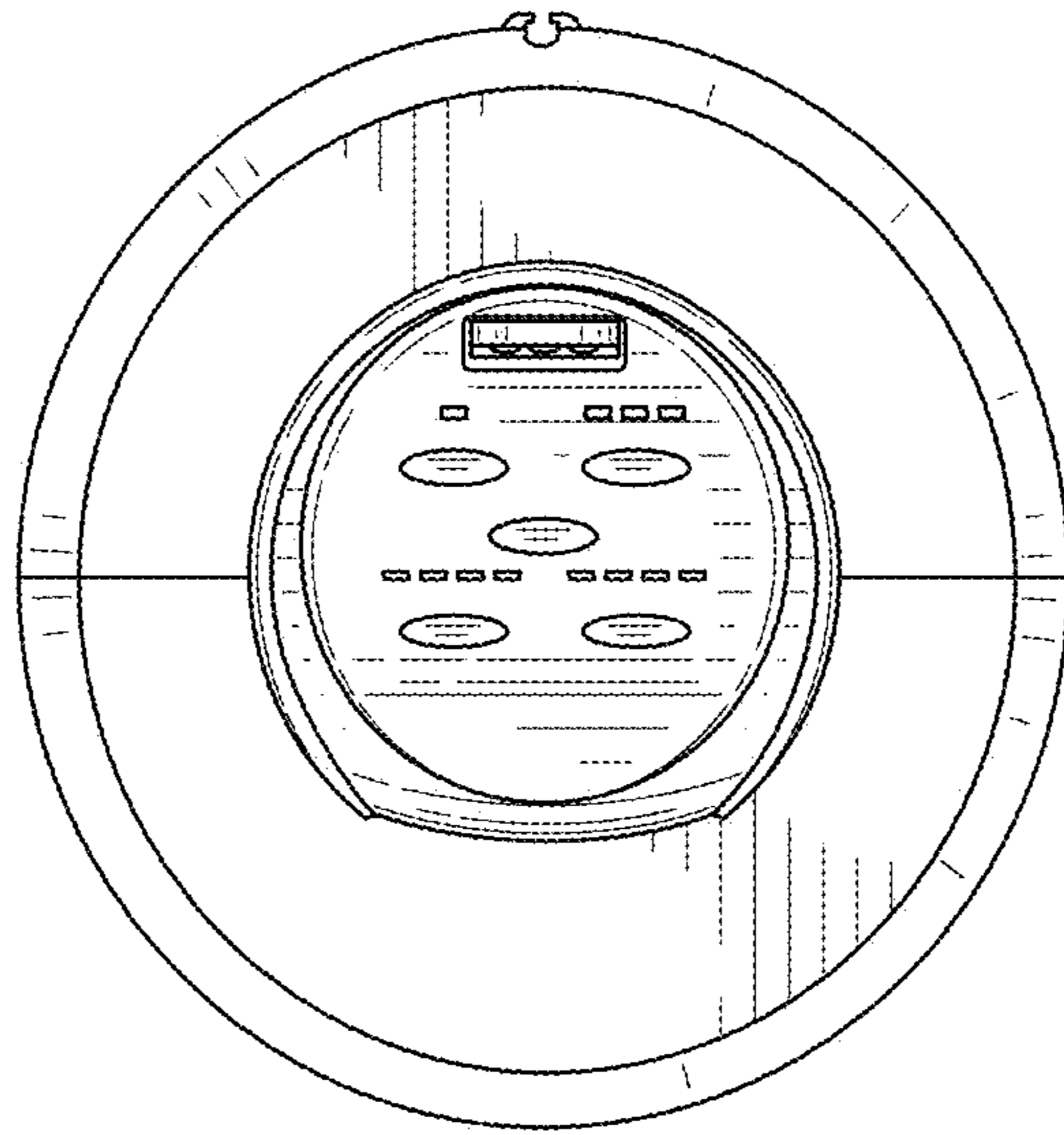


FIG. 6

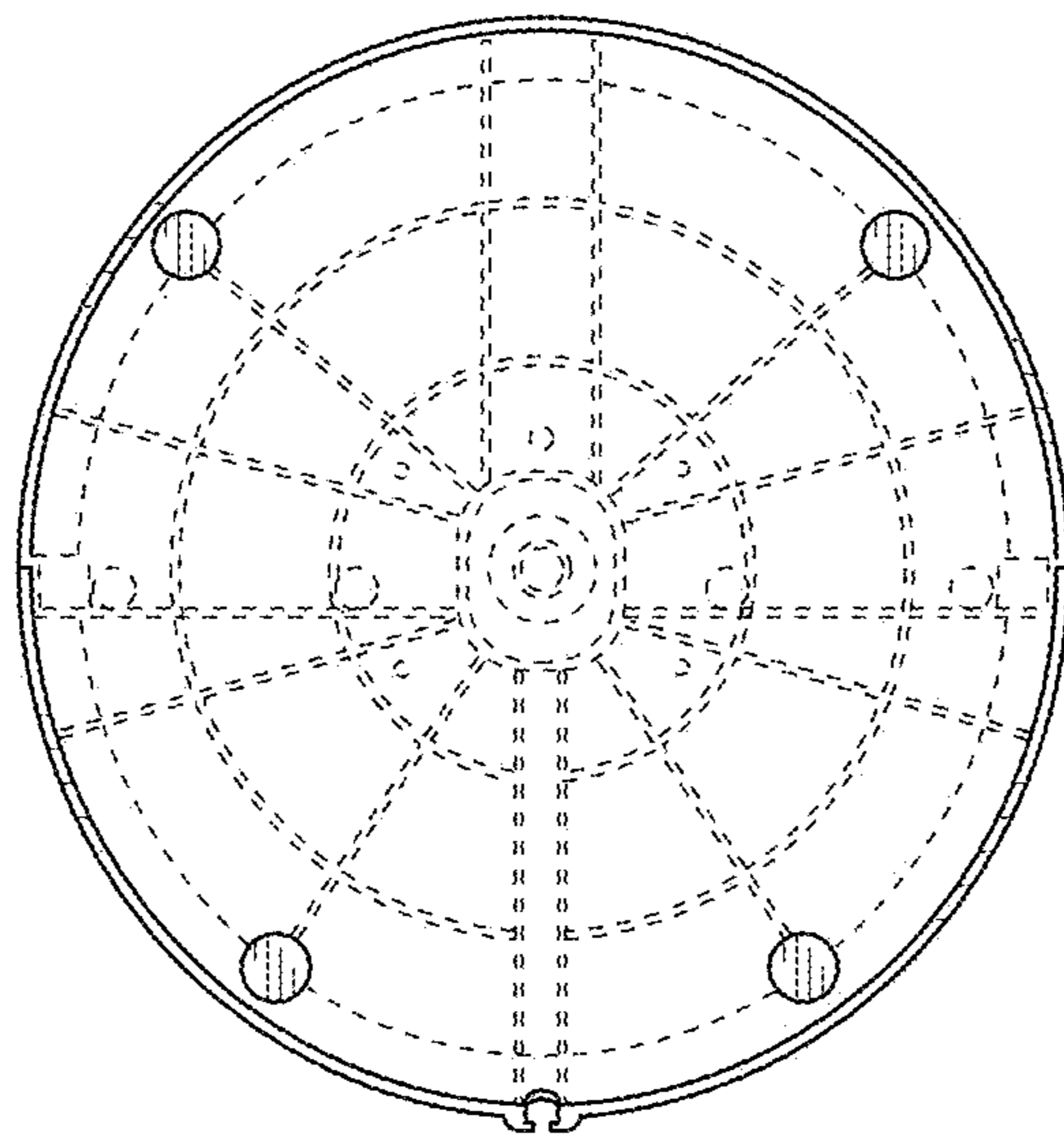


FIG. 7