



US00D937400S

(12) **United States Design Patent** (10) **Patent No.:** **US D937,400 S**
Hong (45) **Date of Patent:** **** Nov. 30, 2021**

(54) **FAN**
(71) Applicant: **MIDEA GROUP CO., LTD.**, Foshan (CN)
(72) Inventor: **Sizhan Hong**, Guangdong (CN)
(73) Assignee: **MIDEA GROUP CO., LTD.**, Foshan (CN)
(**) Term: **15 Years**

D513,071 S *	12/2005	Lee	D23/378
D531,717 S *	11/2006	Tim	D23/378
D539,410 S *	3/2007	Fok	D23/378
D552,227 S *	10/2007	Bucher	D23/378
D567,344 S *	4/2008	Gao	D23/317
D799,671 S *	10/2017	Deffrennes	D23/378
D829,319 S *	9/2018	Chen	D23/378
D854,670 S *	7/2019	Fang	D23/333
D854,671 S *	7/2019	Fang	D23/333
D879,938 S *	3/2020	Rubin	D23/378
D888,223 S *	6/2020	Yuan	D23/378
D906,507 S *	12/2020	Kimball	D23/378
D910,828 S *	2/2021	Kimball	D23/378
D923,771 S *	6/2021	Hong	F04D 25/00 D23/378

(21) Appl. No.: **35/509,695**

(22) Filed: **Apr. 29, 2020**

(80) **Hague Agreement Data**

Int. Filing Date: **Apr. 29, 2020**
Int. Reg. No.: **DM/208762**
Int. Reg. Date: **Apr. 29, 2020**
Int. Reg. Pub. Date: **Jun. 26, 2020**

(30) **Foreign Application Priority Data**

Nov. 6, 2019 (CN) 201930608535.0

(51) **LOC (13) Cl.** **23-04**

(52) **U.S. Cl.**
USPC **D23/370**

(58) **Field of Classification Search**
USPC D23/370-385, 411-414; D13/179
CPC F04D 25/088; F04D 25/06; F04D 29/38;
F04D 29/522; F04D 29/5853; F04D
29/326; F01P 5/02

See application file for complete search history.

(56) **References Cited**

U.S. PATENT DOCUMENTS

D329,284 S *	9/1992	Patton	D23/378
D389,567 S *	1/1998	Gudefin	D23/370
D483,851 S *	12/2003	Fok	D23/378
D486,218 S *	2/2004	Shapiro	D23/381

* cited by examiner

Primary Examiner — Natasha Vujcic
(74) *Attorney, Agent, or Firm* — Morgan, Lewis & Bockius LLP

(57) **CLAIM**

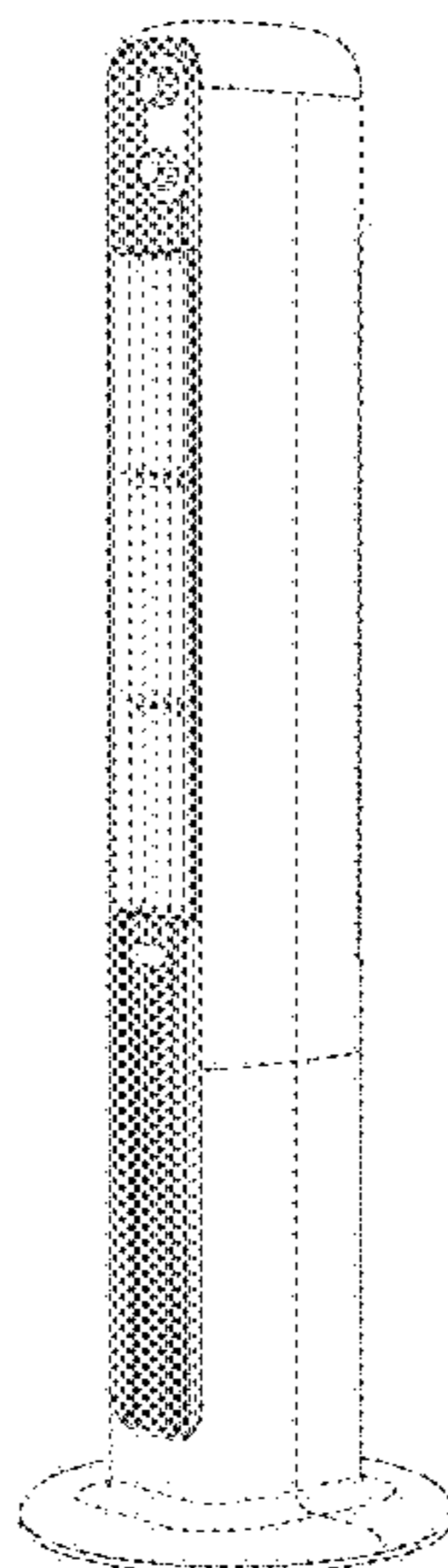
The ornamental design for a fan, as shown and described.

DESCRIPTION

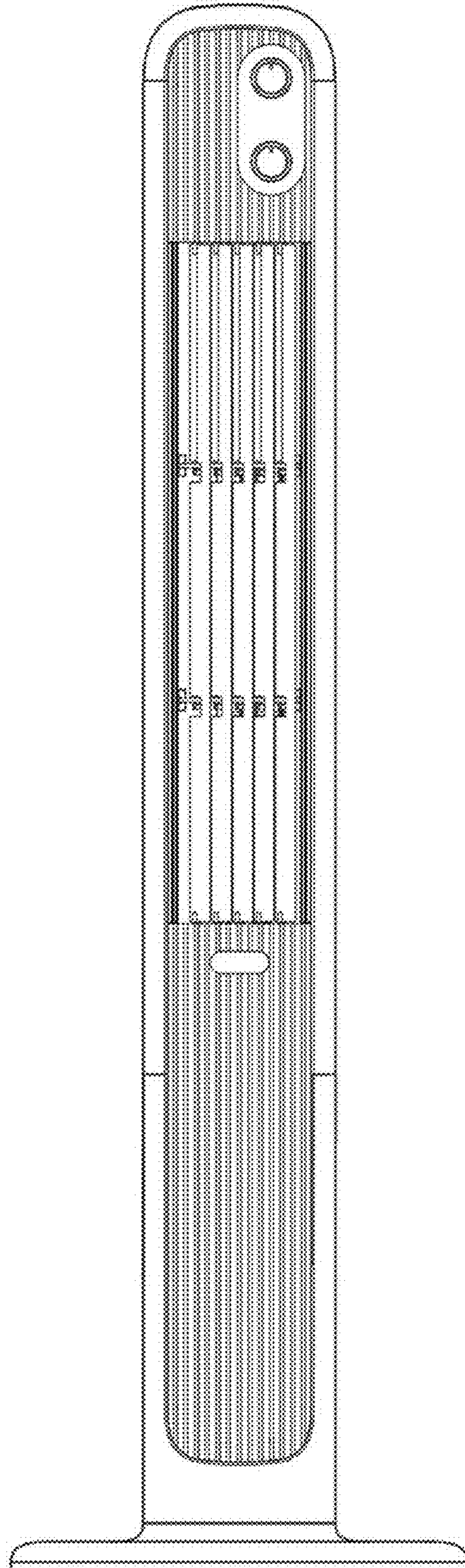
- 1.-2. Fan
- 1.1 : Front
- 1.2 : Back
- 1.3 : Left
- 1.4 : Right
- 1.5 : Top
- 1.6 : Bottom
- 1.7 : Perspective
- 2.1 : Front
- 2.2 : Back
- 2.3 : Left
- 2.4 : Right
- 2.5 : Top
- 2.6 : Bottom
- 2.7 : Perspective

The broken lines in the drawings illustrate portions of the fan and form no part of the claimed design.

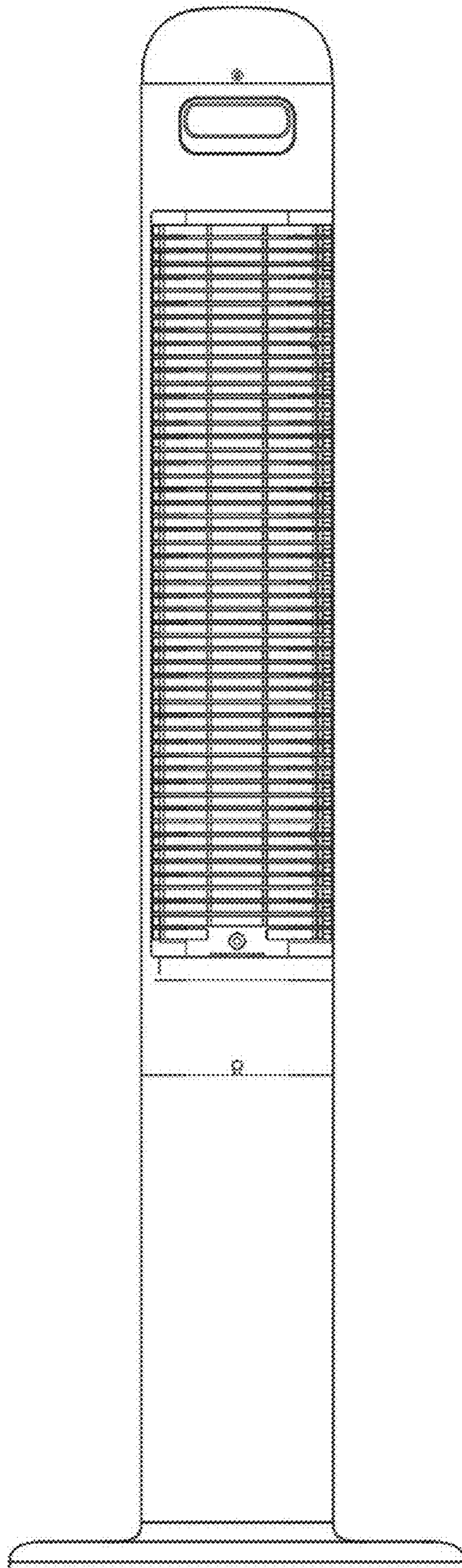
1 Claim, 14 Drawing Sheets



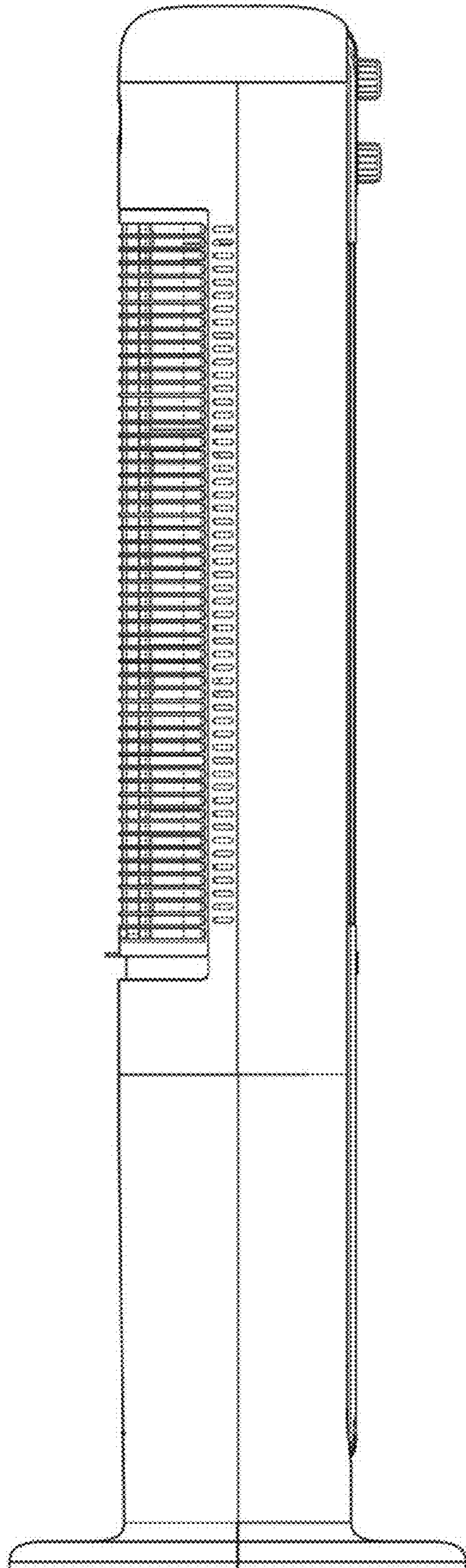
1.1



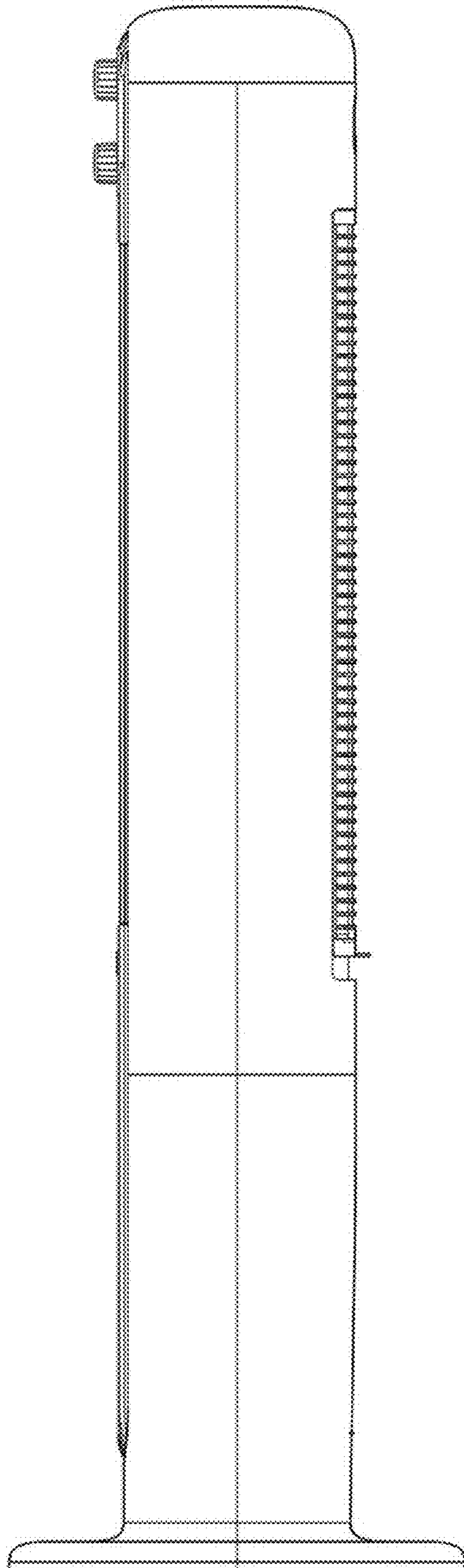
1.2



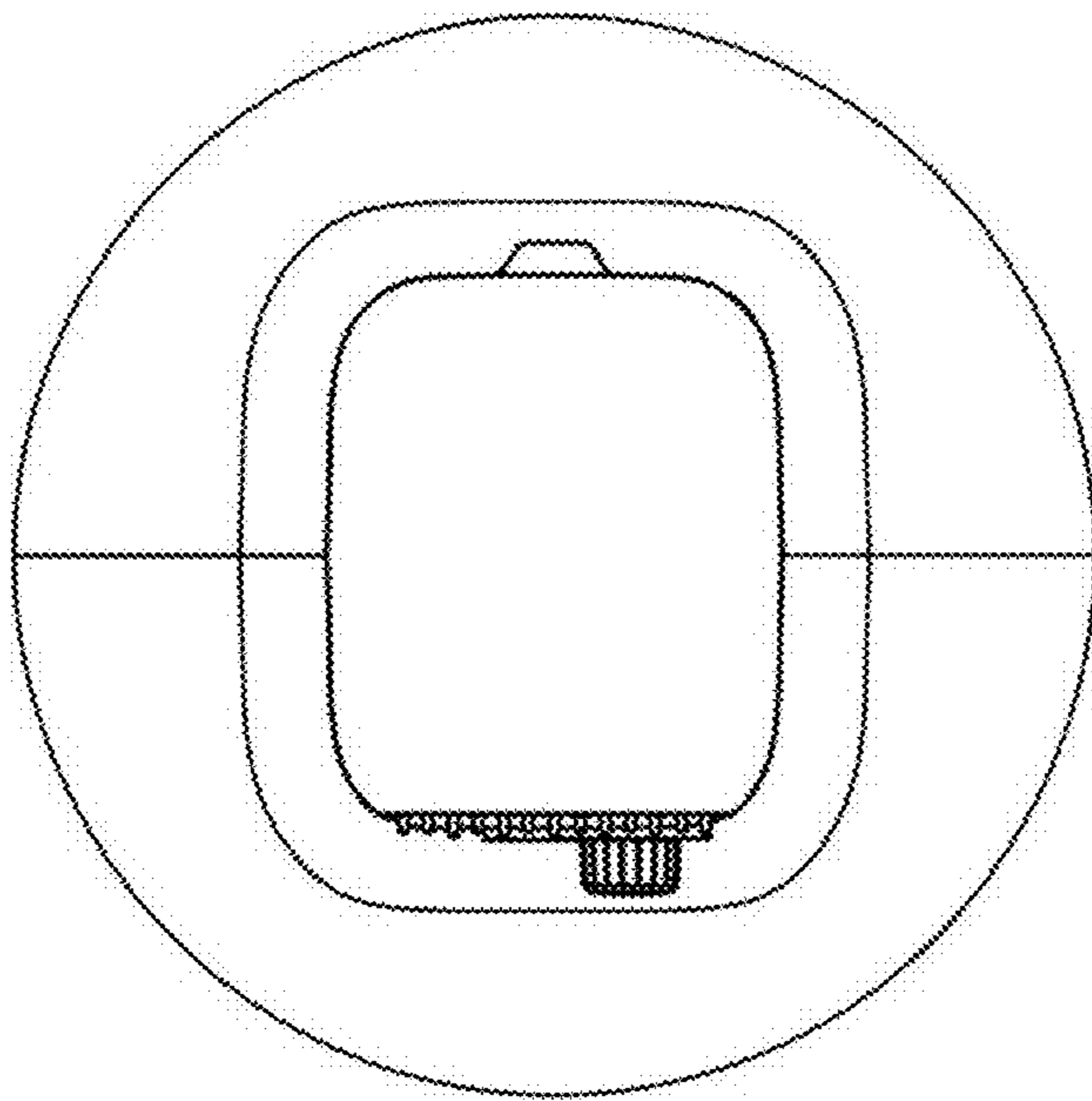
1.3



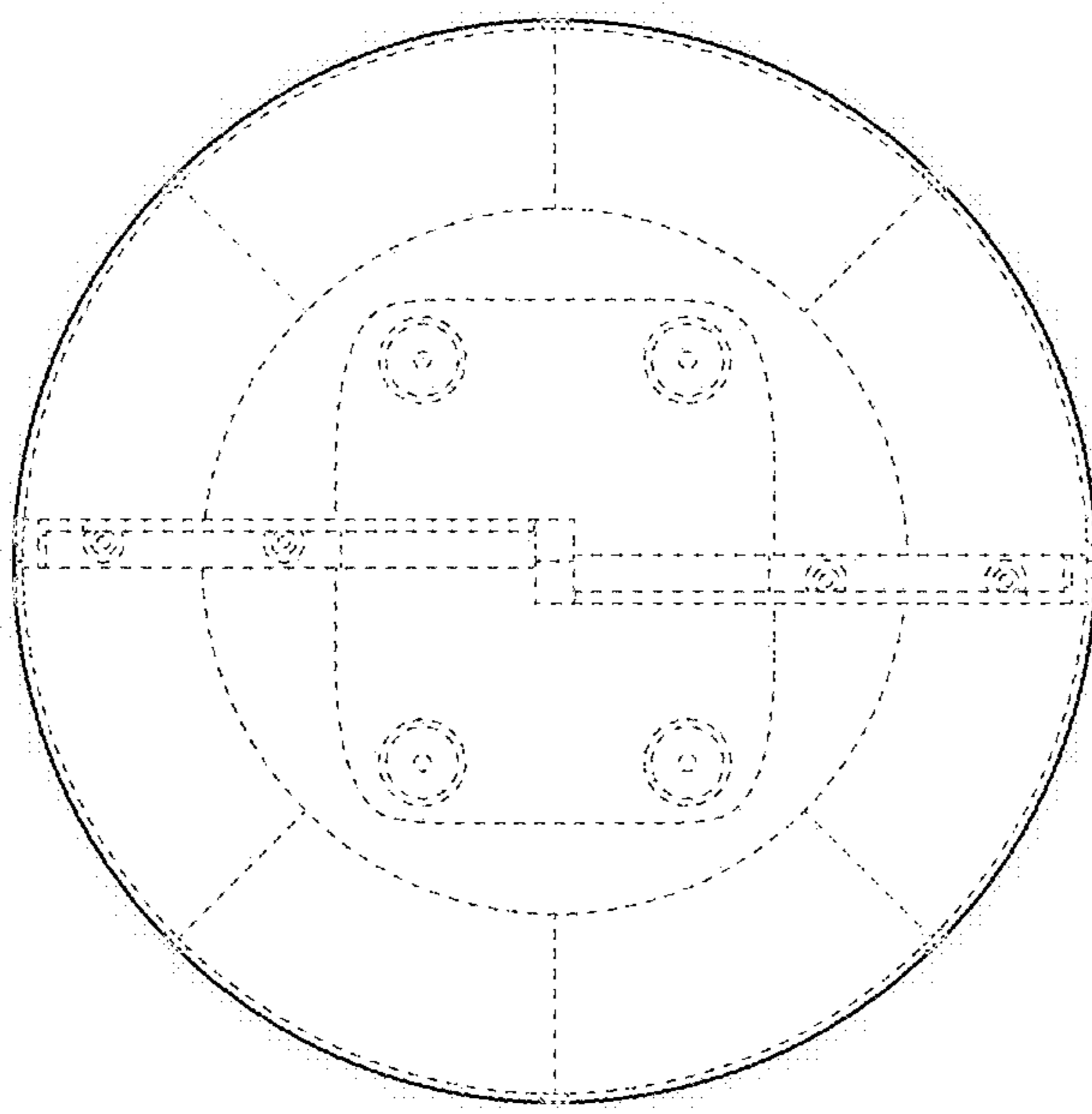
1.4



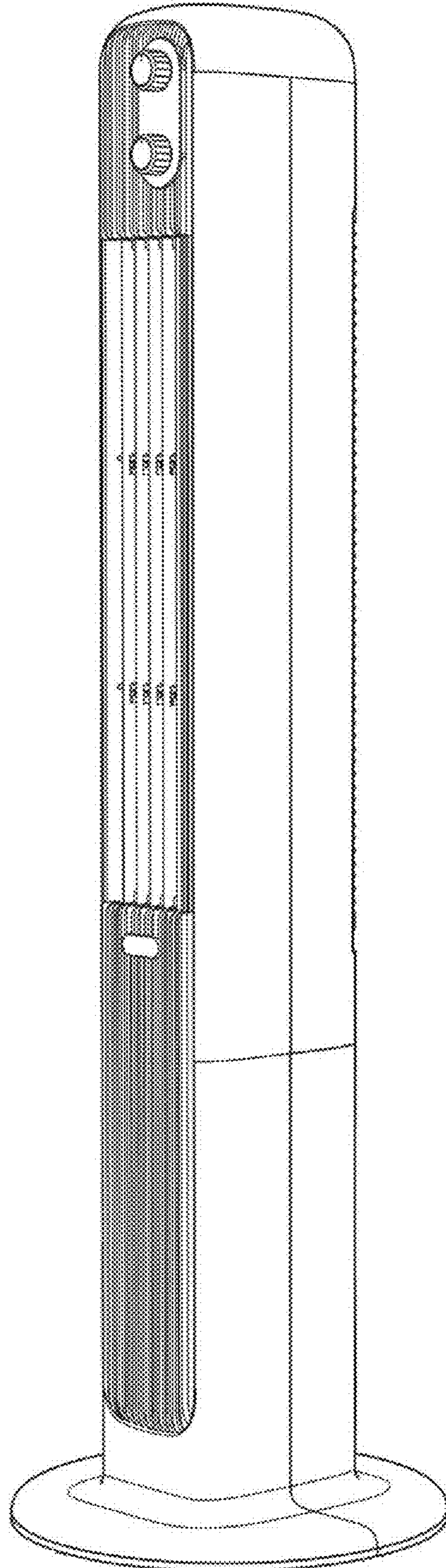
1.5



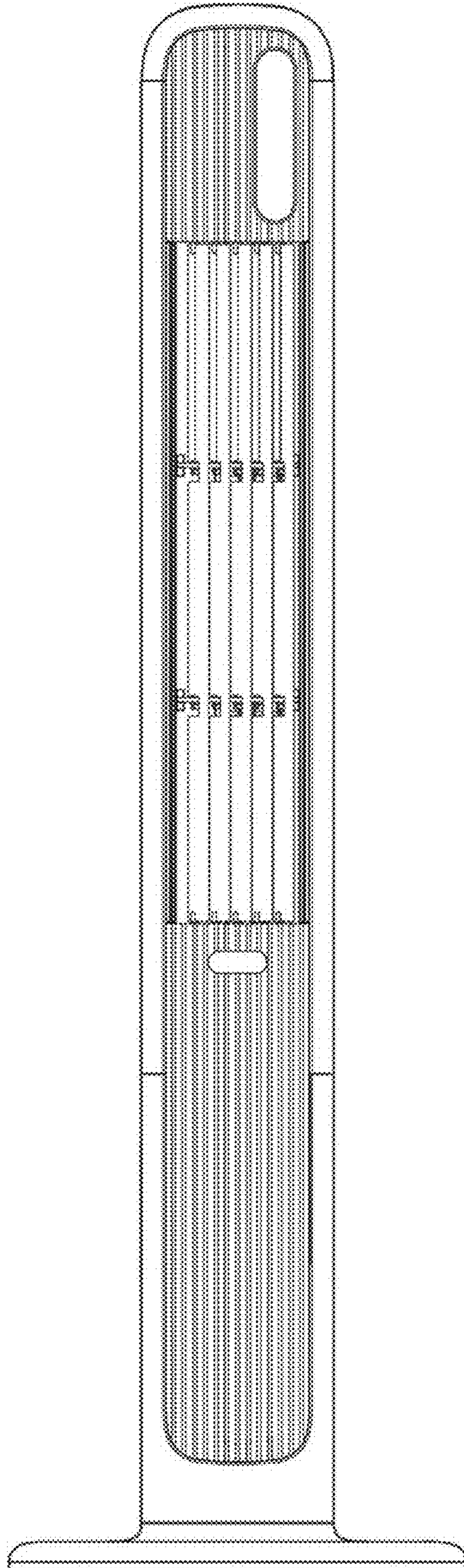
1.6



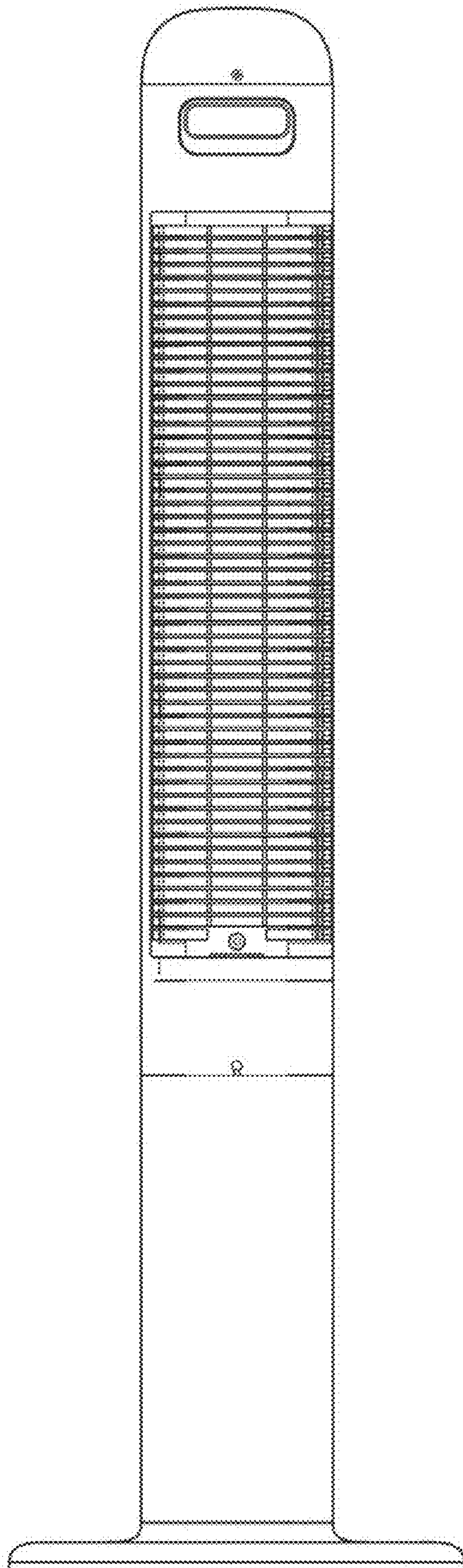
1.7



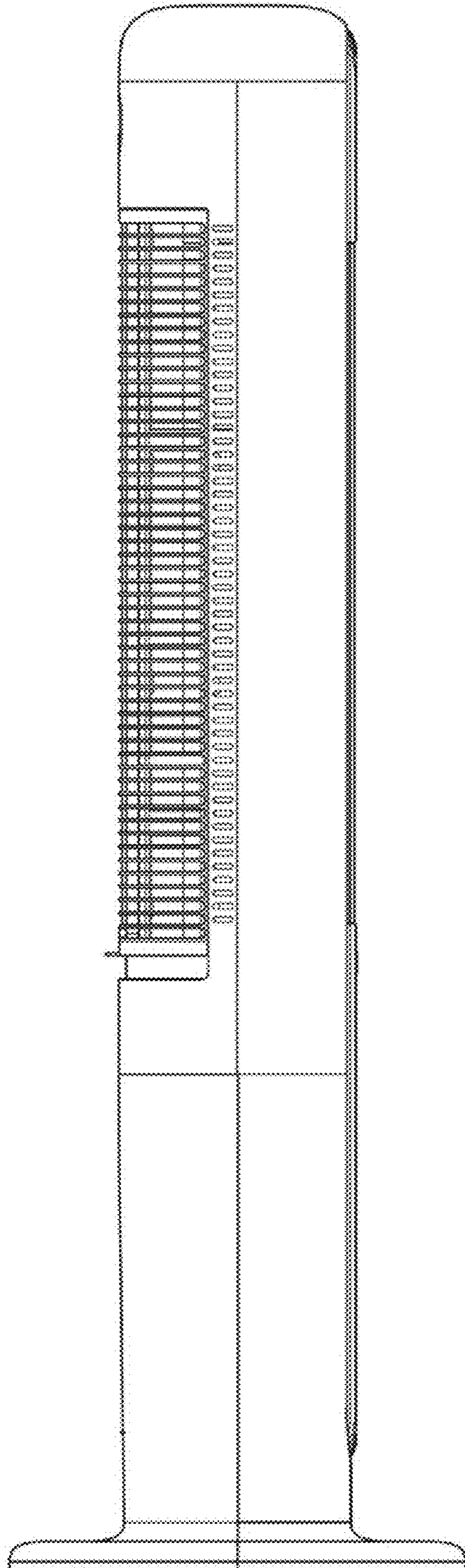
2.1



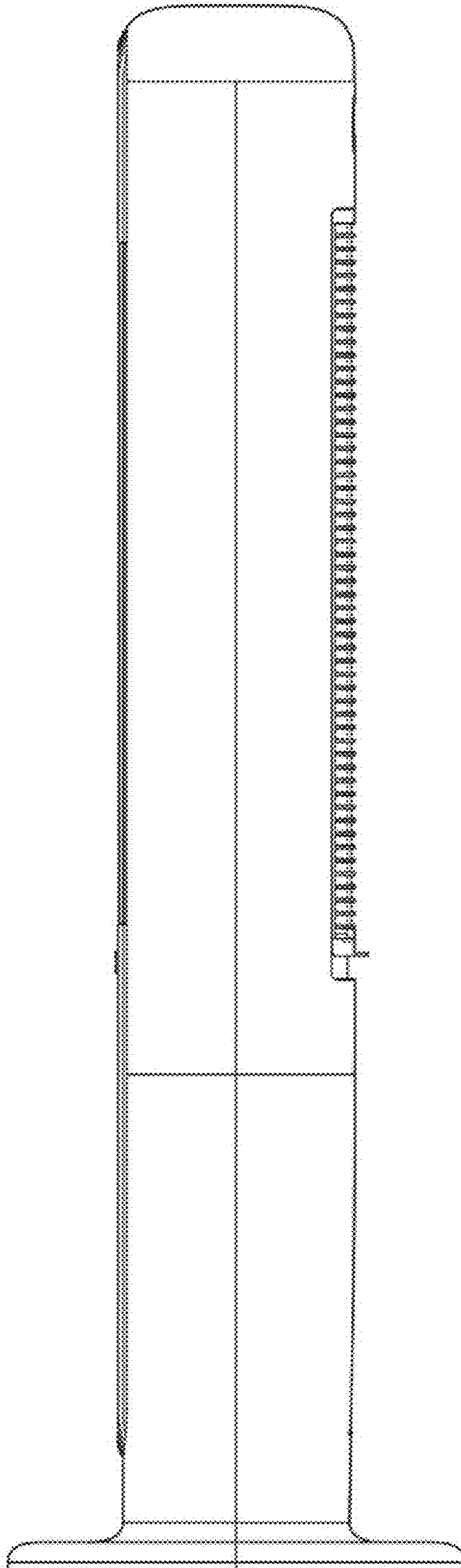
2.2



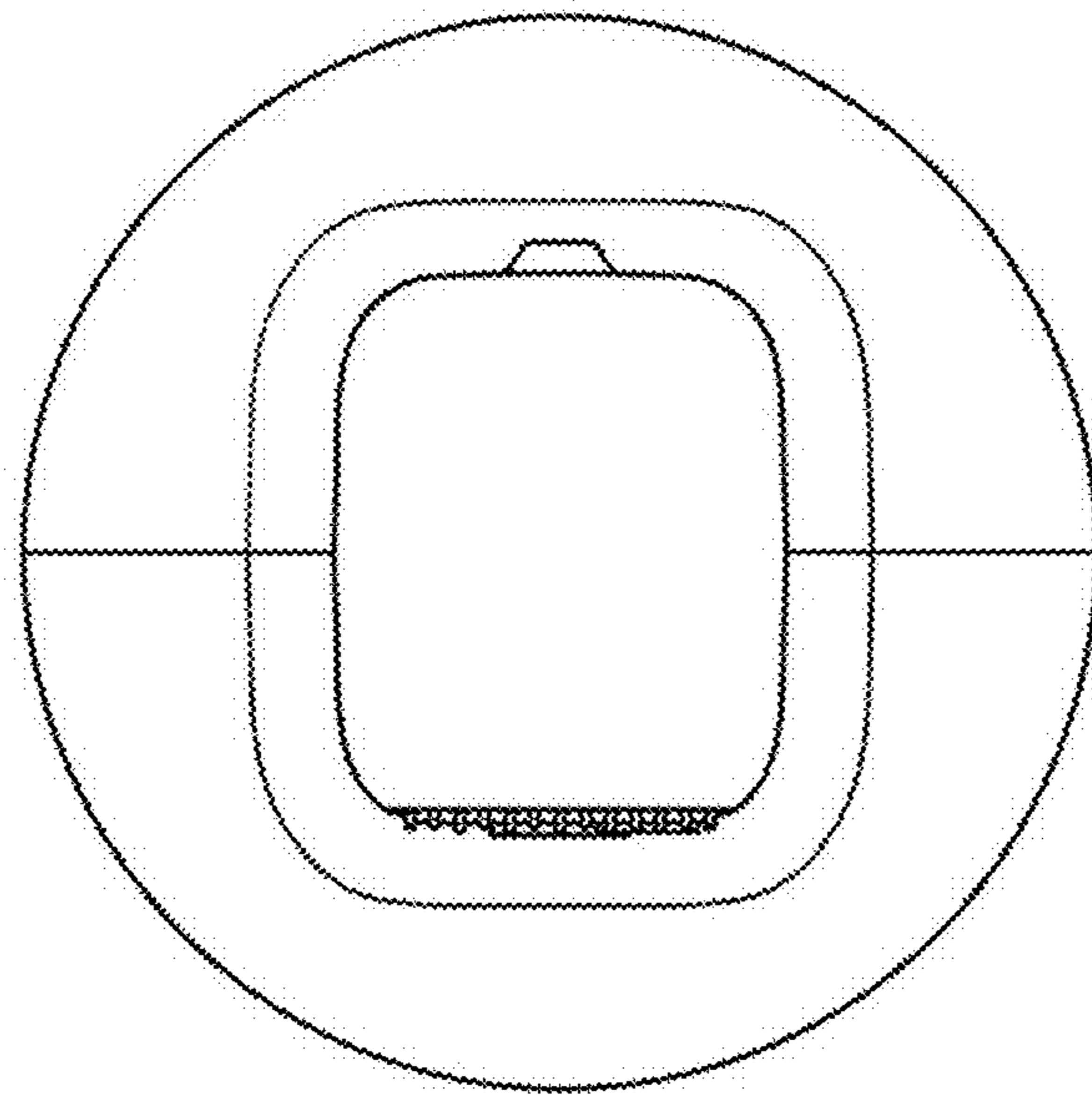
2.3



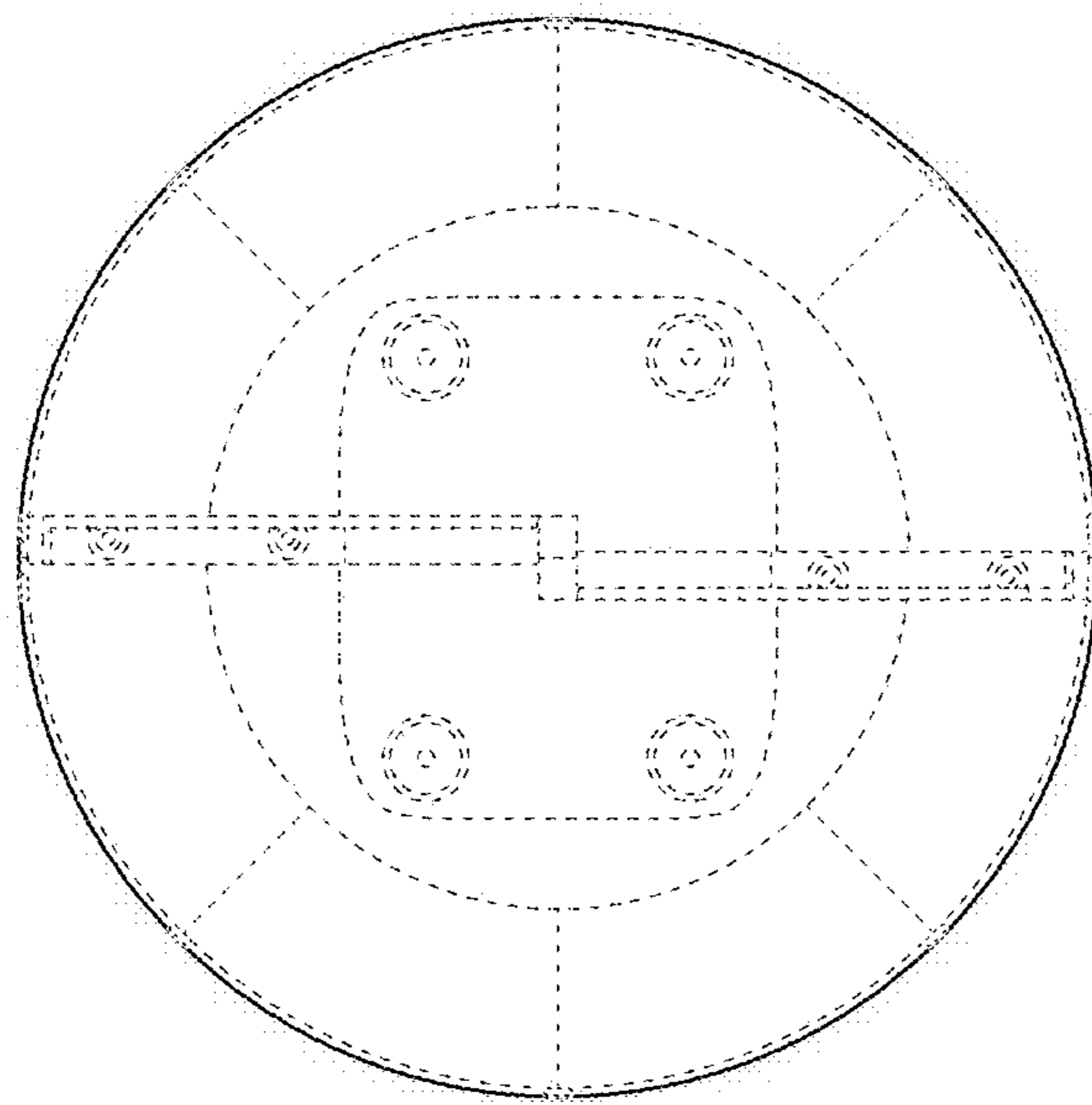
2.4



2.5



2.6



2.7

