



US00D937396S

(12) **United States Design Patent** (10) **Patent No.:** **US D937,396 S**
Yan (45) **Date of Patent:** **** Nov. 30, 2021**

(54) **TOILET BIDET**

(71) Applicant: **XIAMEN GALENPOO KITCHEN & BATHROOM TECHNOLOGY CO., LTD**, Xiamen (CN)

(72) Inventor: **Xiaoling Yan**, Xiamen (CN)

(**) Term: **15 Years**

(21) Appl. No.: **29/736,118**

(22) Filed: **May 28, 2020**

(51) **LOC (13) Cl.** **23-01**

(52) **U.S. Cl.**
USPC **D23/309**

(58) **Field of Classification Search**
USPC D23/308-309
CPC E03D 9/08
See application file for complete search history.

(56) **References Cited**

U.S. PATENT DOCUMENTS

4,383,339	A *	5/1983	Miller	E03D 9/08 4/420.4
D714,428	S *	9/2014	Gupta	D23/309
D882,053	S *	4/2020	Gupta	D23/309
D885,539	S *	5/2020	Yan	D23/309
D889,615	S *	7/2020	Jiang	D23/309
D890,314	S *	7/2020	Yan	D23/309
D897,507	S *	9/2020	Agrawal	D23/309
D917,030	S *	4/2021	Yan	D23/309
2014/0101838	A1 *	4/2014	Gupta	B05B 15/74 4/448
2018/0209129	A1 *	7/2018	He	E03D 9/08
2020/0318334	A1 *	10/2020	Gupta	E03C 1/12
2020/0318335	A1 *	10/2020	Gupta	E03D 9/005
2021/0040719	A1 *	2/2021	Gupta	A47K 4/00

FOREIGN PATENT DOCUMENTS

CN	304560781	*	2/2018
CN	304763731	*	2/2018

CN	304738274	*	6/2018
EM	007770417-0005	*	3/2020
EM	007970843-0003	*	5/2020
EM	007970843-0004	*	5/2020

OTHER PUBLICATIONS

2 Pack Bidet Attachment Non-Electric Mechanical Fresh Water Spray Bidet Toilet Attachment, first available Dec. 23, 2019 [online], [site visited Sep. 3, 2021]. Available from internet, URL:<https://www.amazon.com/Attachment-Non-Electric-Mechanical-Guard-Gate-Gold-plated/dp/B0821Z6TPZ> (Year: 2019).*

Self Cleaning Nozzle Fresh Water Non-Electric Mechanical Bidet Toilet Attachment, announced Date unavailable[online], [site visited Sep. 3, 2021]. Available from internet, URL:<https://galenpoo.en.alibaba.com/product/1600128309709-802342545/Self_Cleaning_Nozzle_Fresh_Water_Non_Electric_Mechanical_Bidet_Toilet_Attachment.html?spm=a2700.shop_plgr.41413.20.340bc3e5Atmxwy> (Year: 2021).*

* cited by examiner

Primary Examiner — Barbara Fox

Assistant Examiner — Jamaal Rasheed

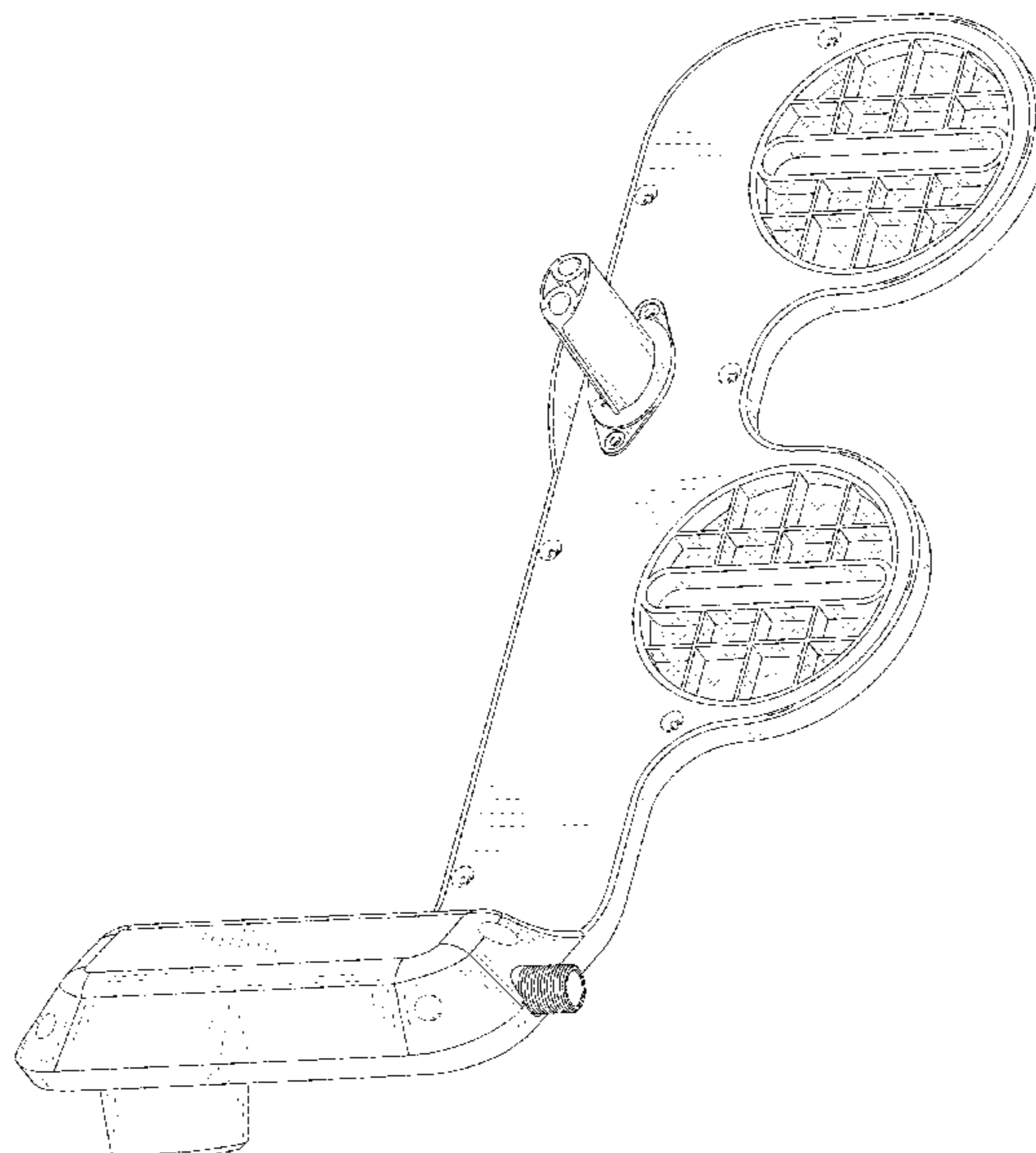
(57) **CLAIM**

The ornamental design for a toilet bidet, as shown and described.

DESCRIPTION

FIG. 1 is a front perspective view of a toilet bidet, showing my new design;
FIG. 2 is a front elevational view thereof;
FIG. 3 is a rear view thereof;
FIG. 4 is a left side view thereof;
FIG. 5 is a right side view thereof;
FIG. 6 is a top plan view thereof; and,
FIG. 7 is a bottom view thereof.
The broken lines shown in the figures depict portions of the toilet bidet that form no part of the claimed design.

1 Claim, 7 Drawing Sheets



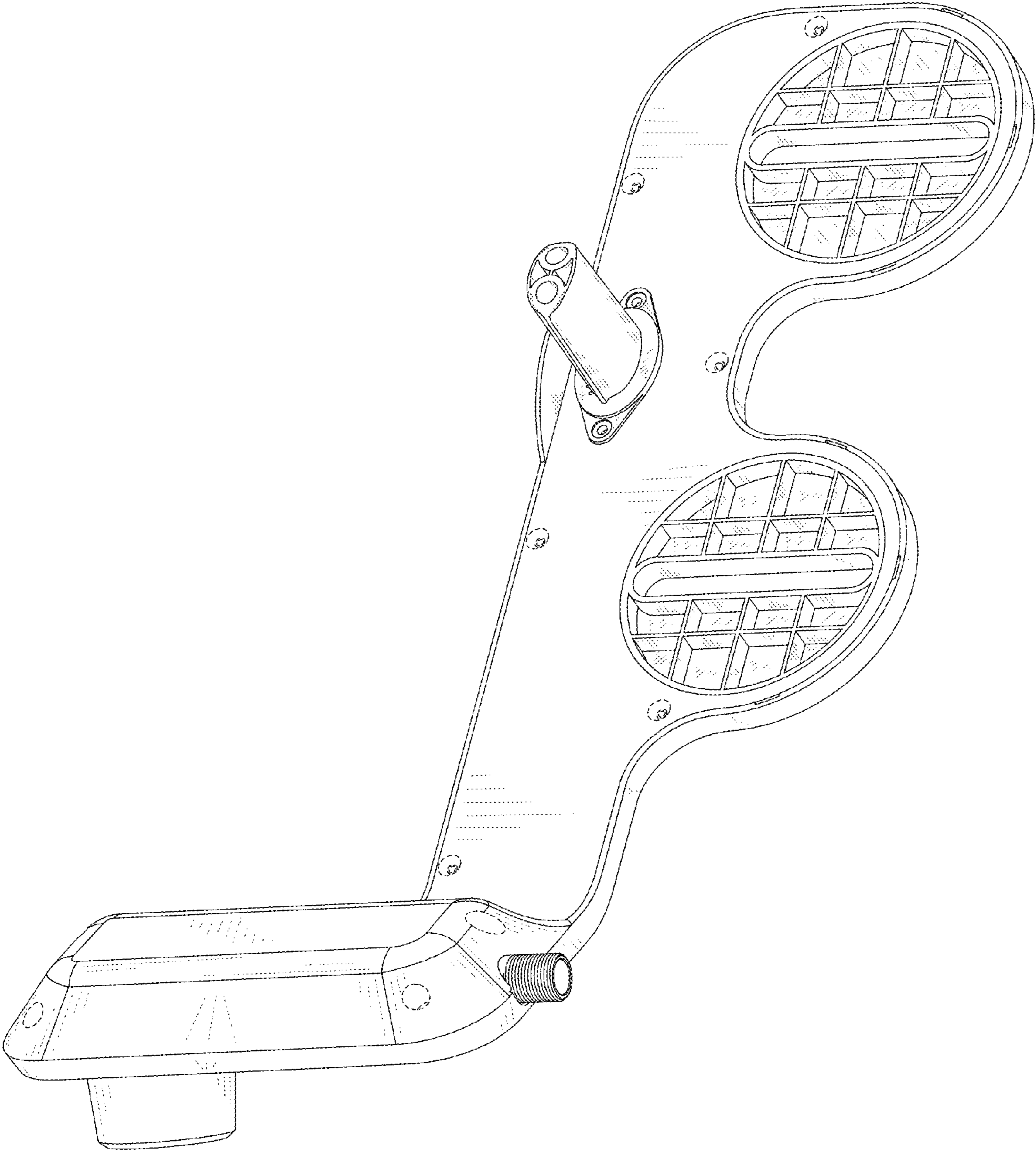


FIG.1

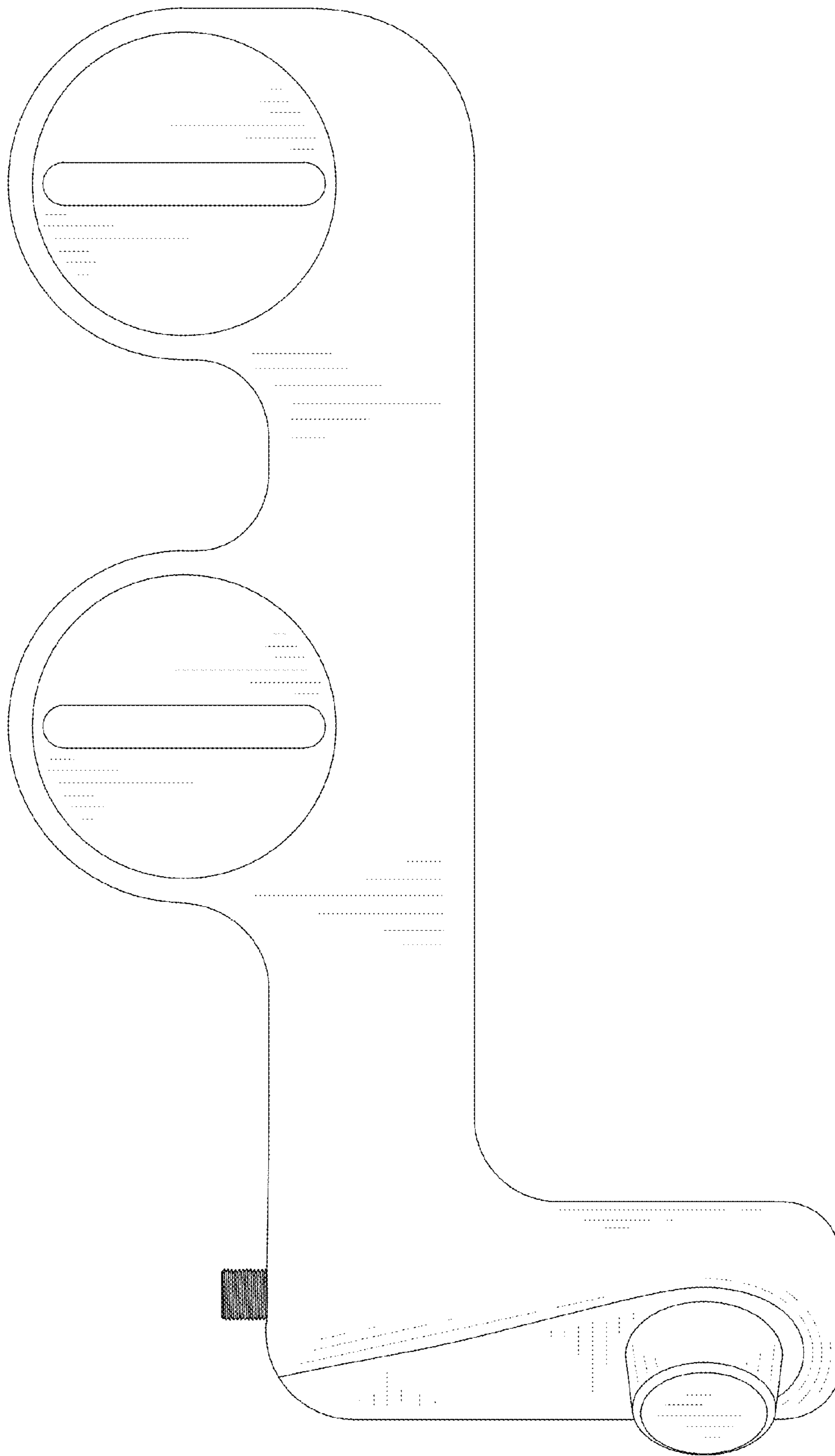


FIG.2

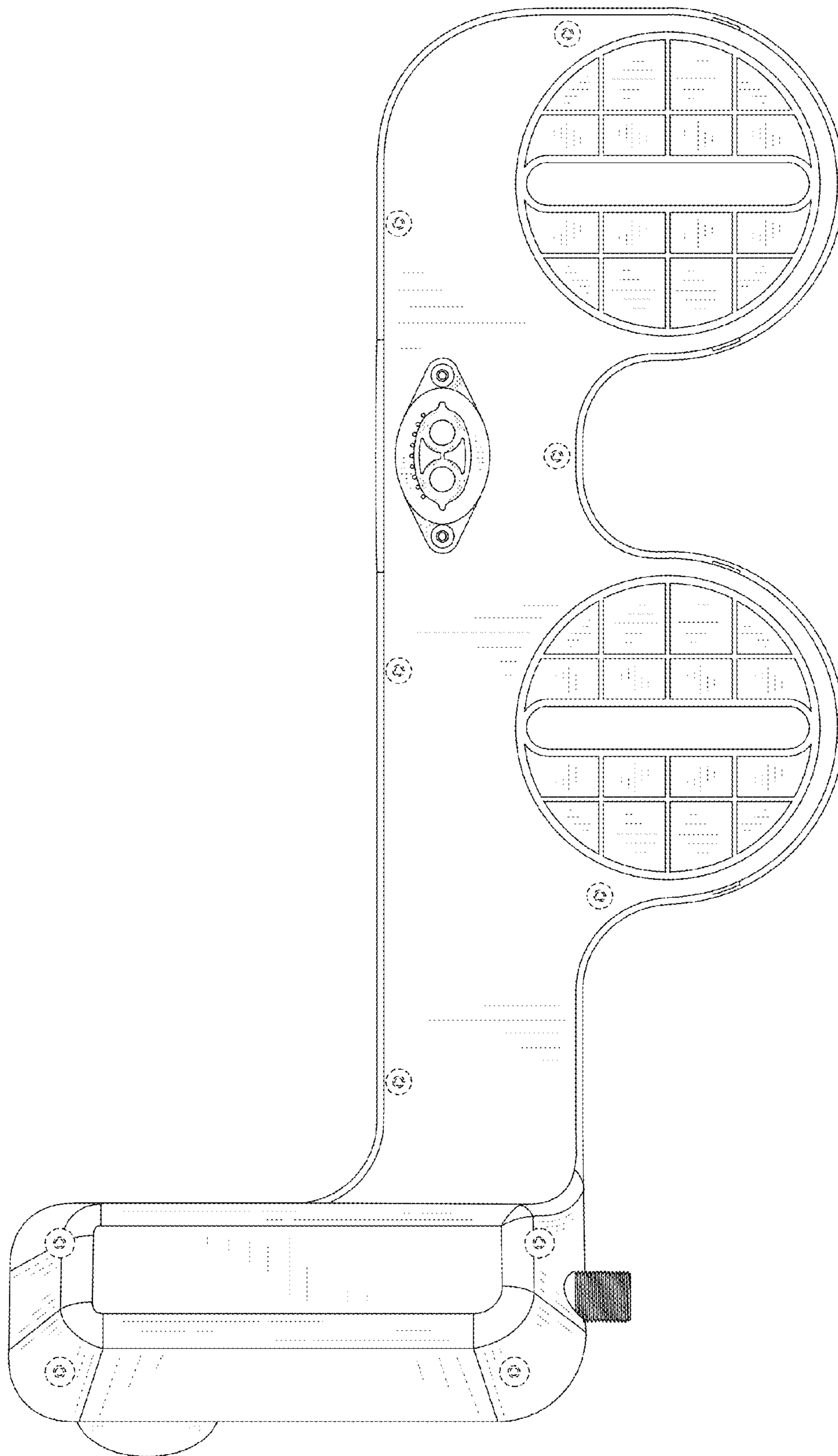


FIG.3

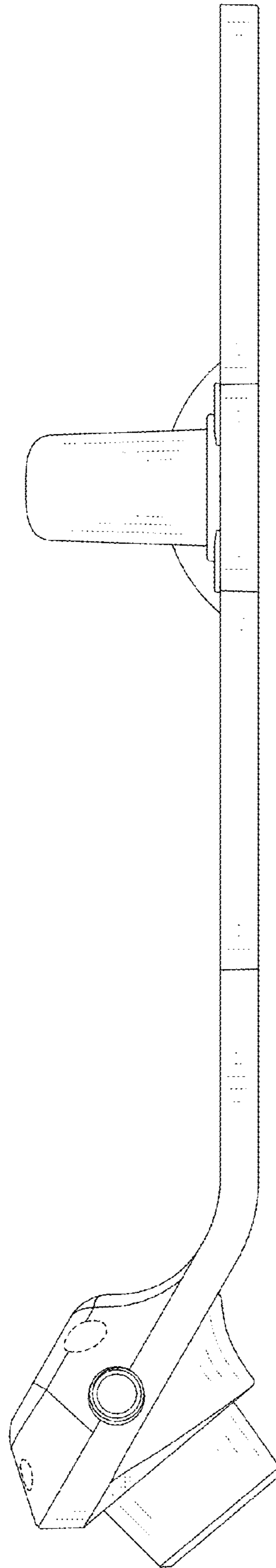


FIG. 4

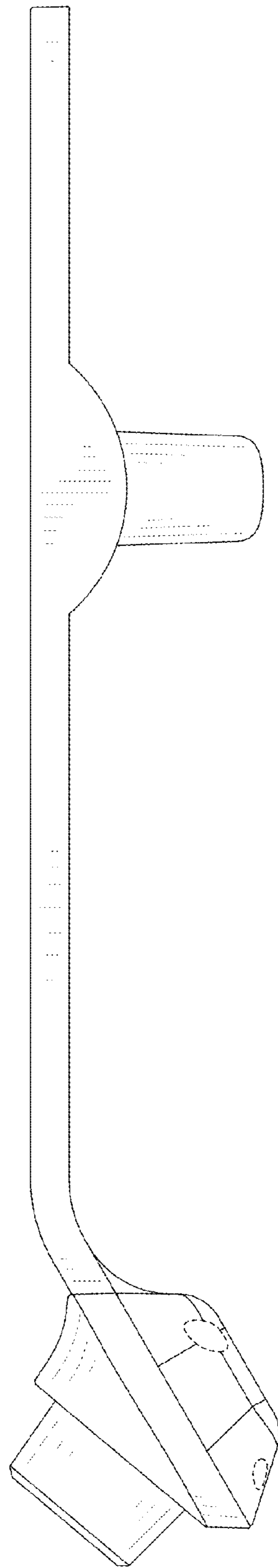


FIG.5

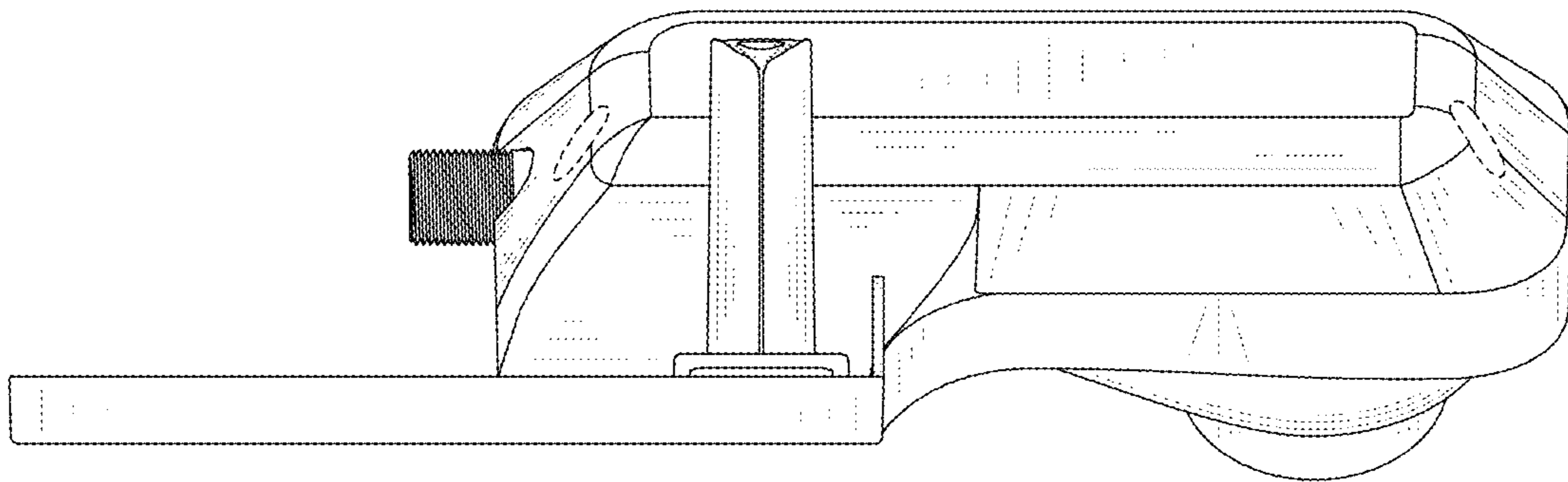


FIG.6

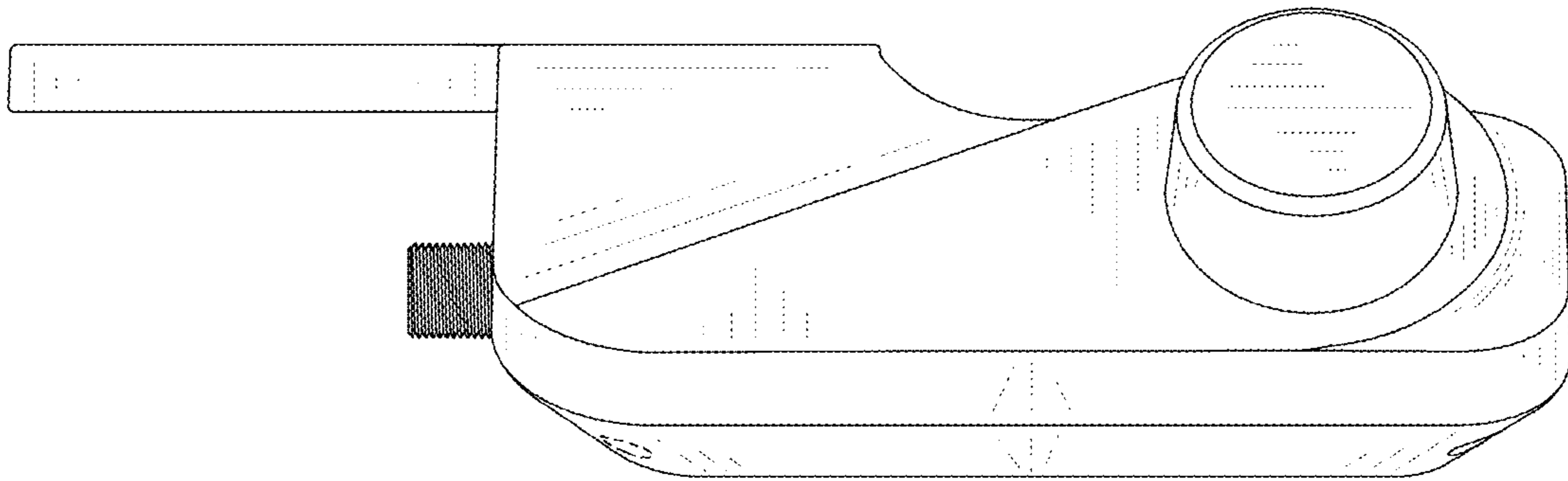


FIG. 7