



US00D937395S

(12) **United States Design Patent** (10) **Patent No.:** **US D937,395 S**
Yan (45) **Date of Patent:** **** Nov. 30, 2021**

(54) **TOILET BIDET**
(71) Applicant: **XIAMEN GALENPOO KITCHEN & BATHROOM TECHNOLOGY CO., LTD**, Xiamen (CN)
(72) Inventor: **Xiaoling Yan**, Xiamen (CN)
(**) Term: **15 Years**
(21) Appl. No.: **29/732,414**
(22) Filed: **Apr. 24, 2020**
(51) **LOC (13) Cl.** **23-01**
(52) **U.S. Cl.**
USPC **D23/309**
(58) **Field of Classification Search**
USPC D23/308-309
CPC E03D 9/08
See application file for complete search history.

CN 304738274 * 6/2018
EM 007770417-0005 * 3/2020
EM 007970843-0003 * 5/2020
EM 007970843-0004 * 5/2020

OTHER PUBLICATIONS

2 Pack Bidet Attachment Non-Electric Mechanical Fresh Water Spray Bidet Toilet Attachment, first available Dec. 23, 2019 [online], [site visited Sep. 3, 2021]. Available from internet, URL:<https://www.amazon.com/Attachment-Non-Electric-Mechanical-Guard-Gate-Gold-plated/dp/B0821Z6TPZ> (Year: 2019).*
Self Cleaning Nozzle Fresh Water Non-Electric Mechanical Bidet Toilet Attachment, announced Date unavailable[online], [site visited Sep. 3, 2021]. Available from internet, URL:<https://galenpoo.en.alibaba.com/product/1600128309709-802342545/Self_Cleaning_Nozzle_Fresh_Water_Non_Electric_Mechanical_Bidet_Toilet_Attachment.html?spm=a2700.shop_plgr.41413.20.340bc3e5Atmxwy> (Year: 2021).*

* cited by examiner

Primary Examiner — Barbara Fox
Assistant Examiner — Jamaal Rasheed

(56) **References Cited**

U.S. PATENT DOCUMENTS

4,383,339 A * 5/1983 Miller E03D 9/08
4/420.4
D714,428 S * 9/2014 Gupta D23/309
D882,053 S * 4/2020 Gupta D23/309
D885,539 S * 5/2020 Yan D23/309
D889,615 S * 7/2020 Jiang D23/309
D890,314 S * 7/2020 Yan D23/309
D897,507 S * 9/2020 Agrawal D23/309
D917,030 S * 4/2021 Yan D23/309
2014/0101838 A1 * 4/2014 Gupta B05B 15/74
4/448
2018/0209129 A1 * 7/2018 He E03D 9/08
2020/0318334 A1 * 10/2020 Gupta E03C 1/12
2020/0318335 A1 * 10/2020 Gupta E03D 9/005
2021/0040719 A1 * 2/2021 Gupta A47K 4/00

FOREIGN PATENT DOCUMENTS

CN 304560781 * 2/2018
CN 304763731 * 2/2018

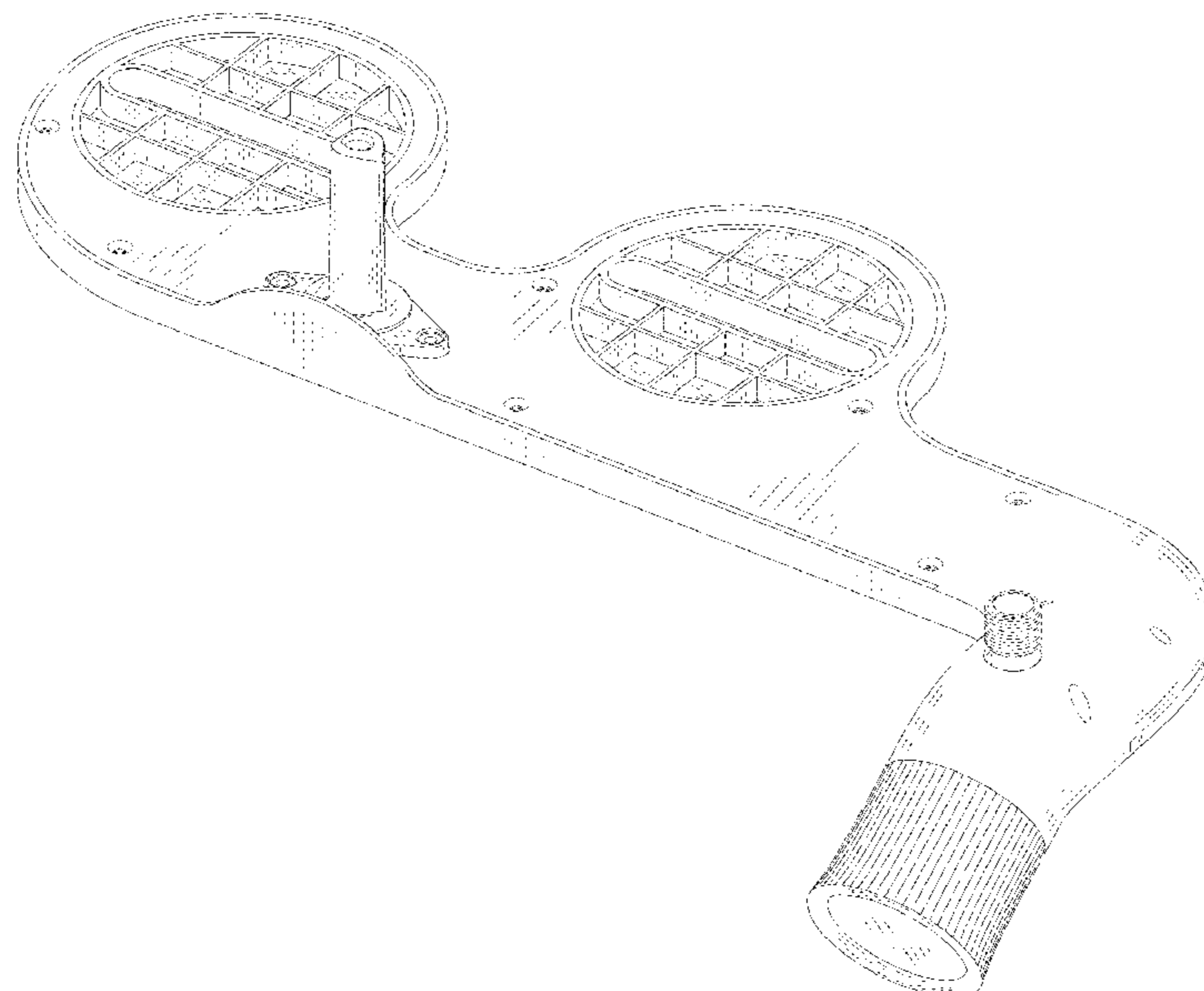
(57) **CLAIM**

The ornamental design for a toilet bidet, as shown and described.

DESCRIPTION

FIG. 1 is a front perspective view of a toilet bidet showing my new design;
FIG. 2 is a front view thereof;
FIG. 3 is a rear view thereof;
FIG. 4 is a left side view thereof;
FIG. 5 is a right side view thereof;
FIG. 6 is a top view thereof; and,
FIG. 7 is a bottom view thereof.
The broken lines shown in the figures depict portions of the toilet bidet that form no part of the claimed design.

1 Claim, 7 Drawing Sheets



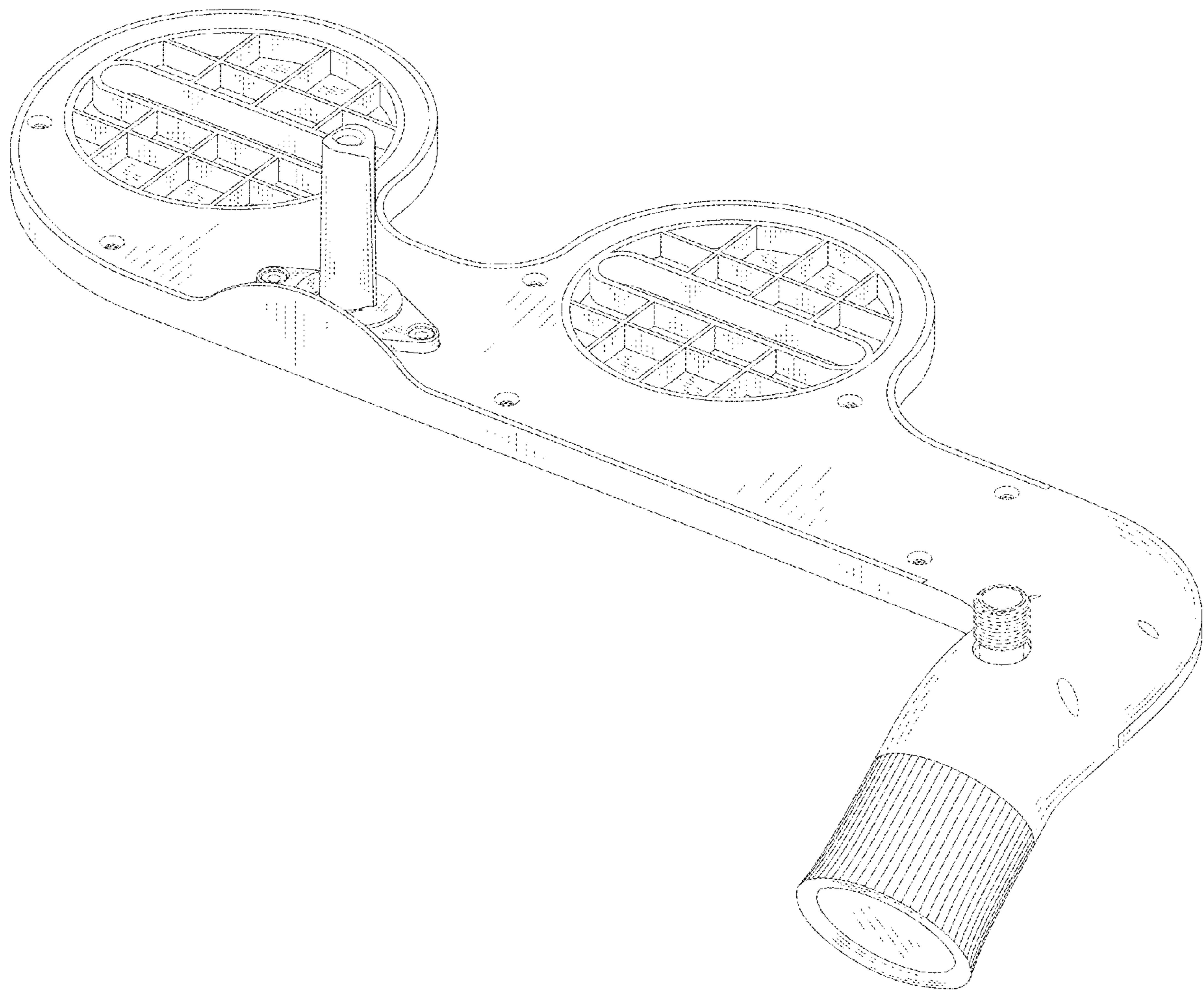


FIG.1

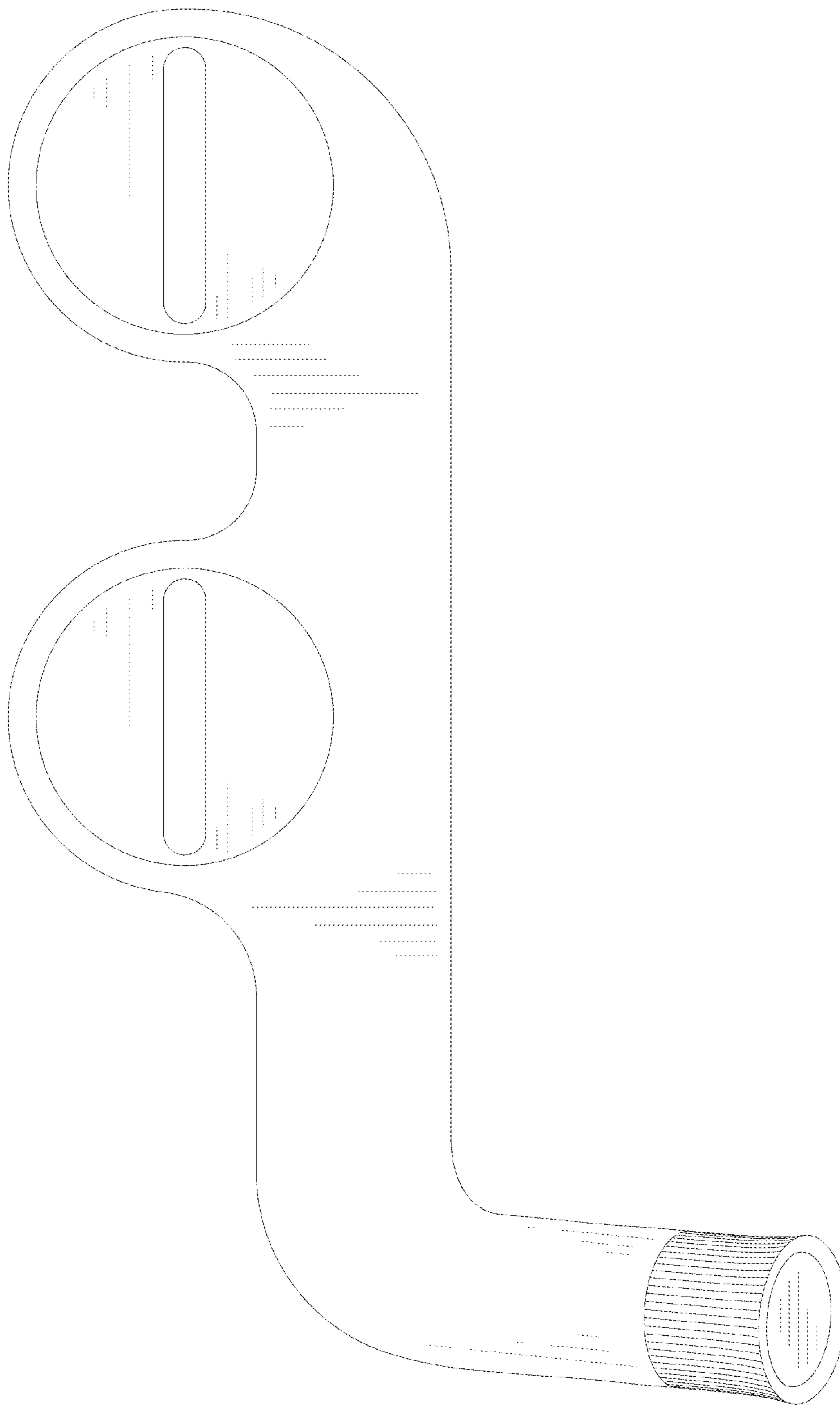


FIG. 2

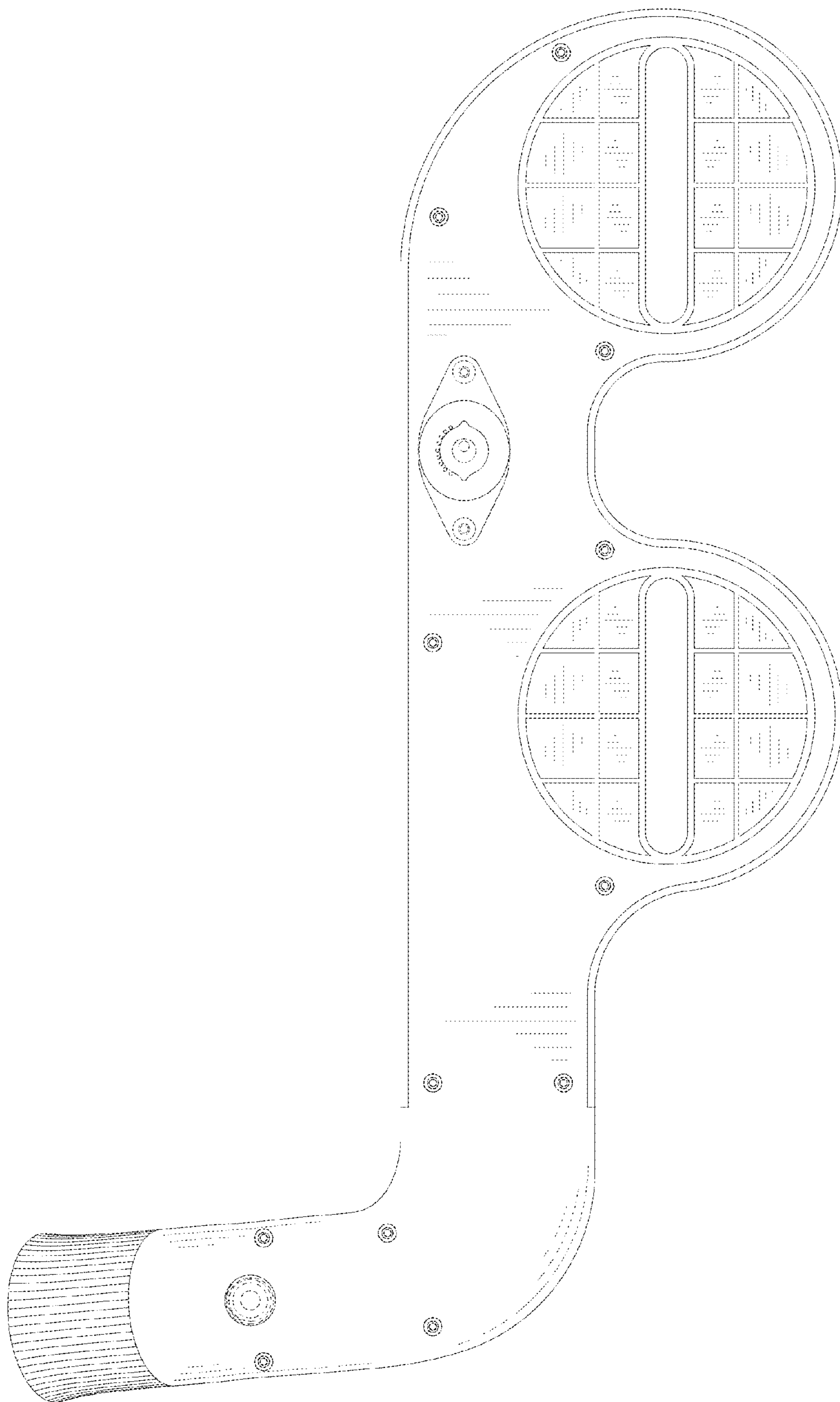


FIG. 3

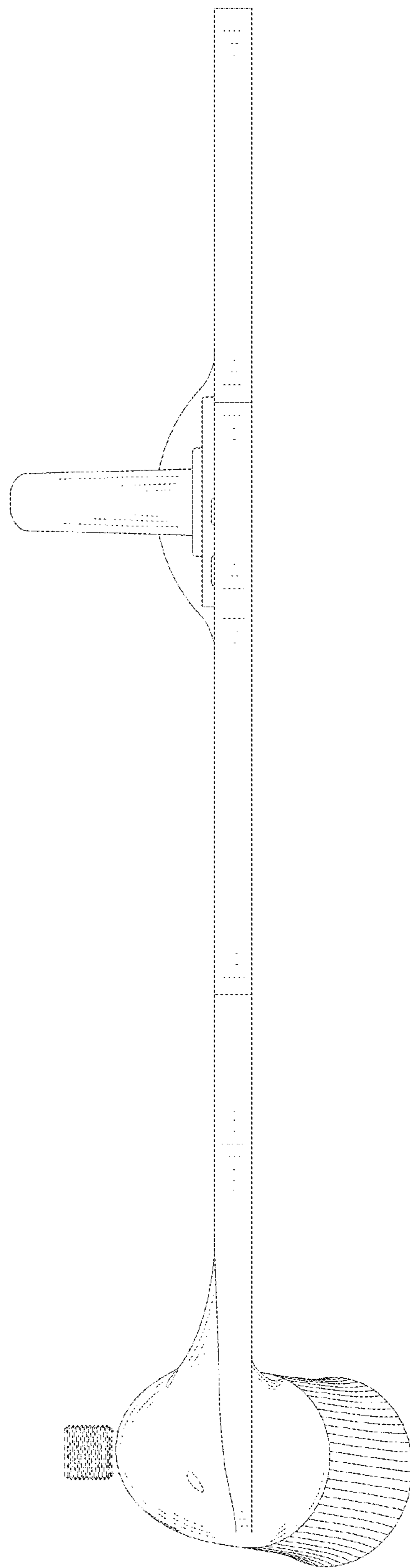


FIG. 4

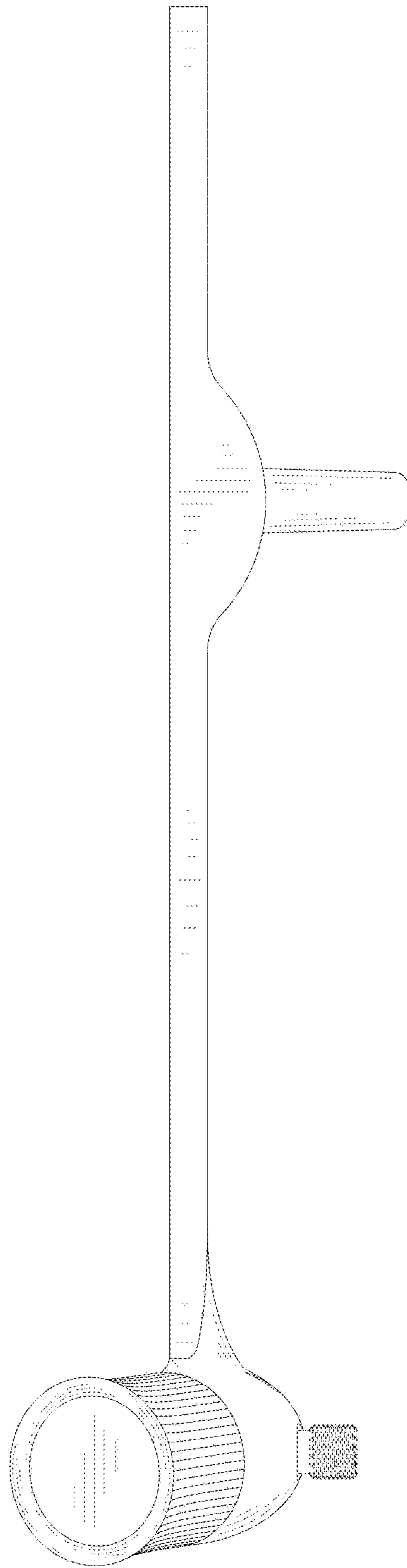


FIG. 5

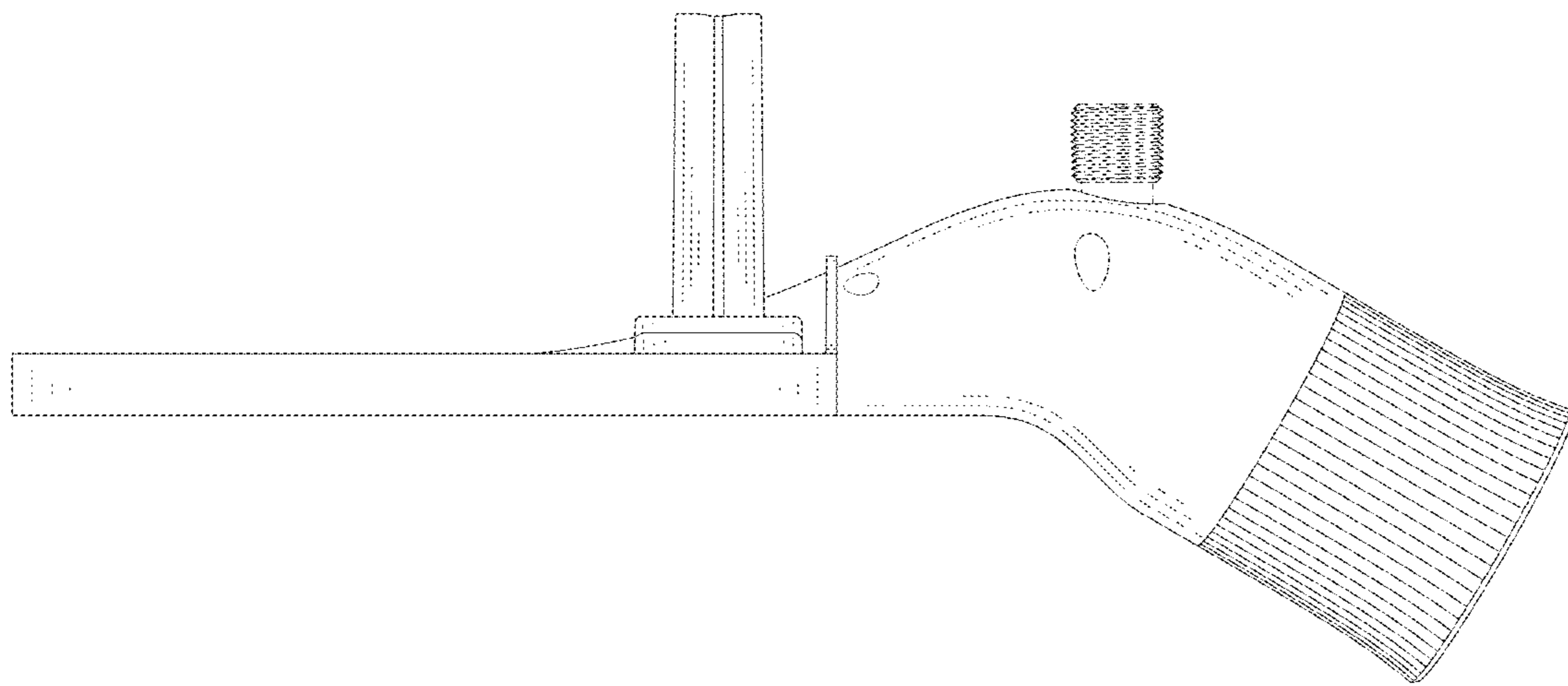


FIG. 6

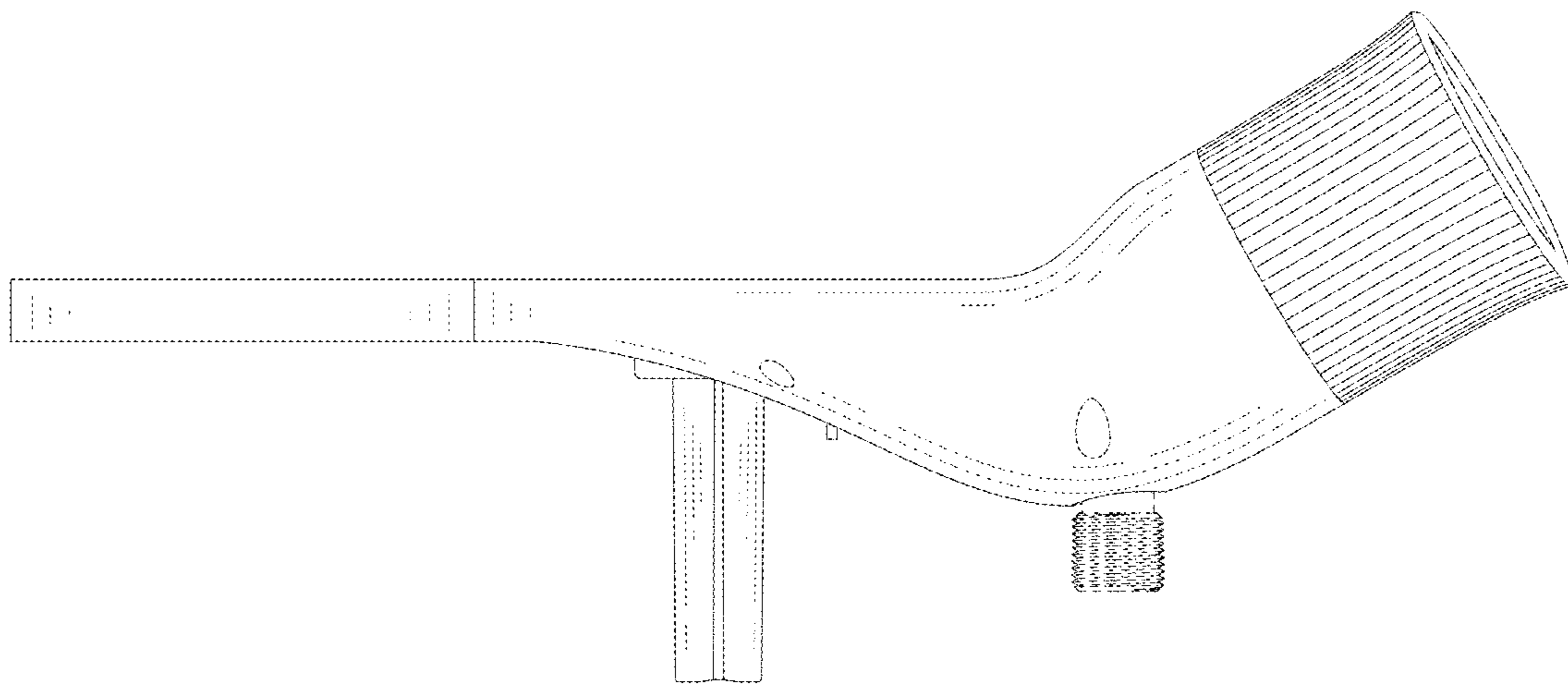


FIG. 7