



US00D937393S

(12) **United States Design Patent** (10) **Patent No.:** **US D937,393 S**  
**Karan** (45) **Date of Patent:** **\*\* Nov. 30, 2021**

(54) **WASH SINK**  
(71) Applicant: **Yakup Karan**, Duisburg (DE)  
(72) Inventor: **Yakup Karan**, Duisburg (DE)  
(\*\*) Term: **15 Years**

D814,615 S \* 4/2018 Ziemann ..... D23/293.1  
D858,722 S \* 9/2019 Bucher ..... D23/284  
D869,618 S \* 12/2019 Walther ..... D23/284  
D875,902 S \* 2/2020 LeTourneau ..... D23/284  
D877,866 S \* 3/2020 Miller ..... D23/284  
D905,211 S \* 12/2020 Mei ..... D23/284  
D911,497 S \* 2/2021 Levi ..... D23/284

\* cited by examiner

(21) Appl. No.: **35/509,465**  
(22) Filed: **Apr. 30, 2020**

*Primary Examiner* — Natasha Vujcic  
(74) *Attorney, Agent, or Firm* — Michael Soderman

(80) **Hague Agreement Data**  
Int. Filing Date: **Apr. 30, 2020**  
Int. Reg. No.: **DM/208297**  
Int. Reg. Date: **Apr. 30, 2020**  
Int. Reg. Pub. Date: **May 29, 2020**

(57) **CLAIM**

The ornamental design for a wash sink, as shown and described.

(51) **LOC (13) Cl.** ..... **23-02**  
(52) **U.S. Cl.**  
USPC ..... **D23/284**  
(58) **Field of Classification Search**  
USPC ..... D23/284, 286, 293.1, 308  
CPC . A47B 77/06; A47K 1/04; A47J 47/20; E03C  
1/12; E03C 1/18; E03C 1/181  
See application file for complete search history.

**DESCRIPTION**

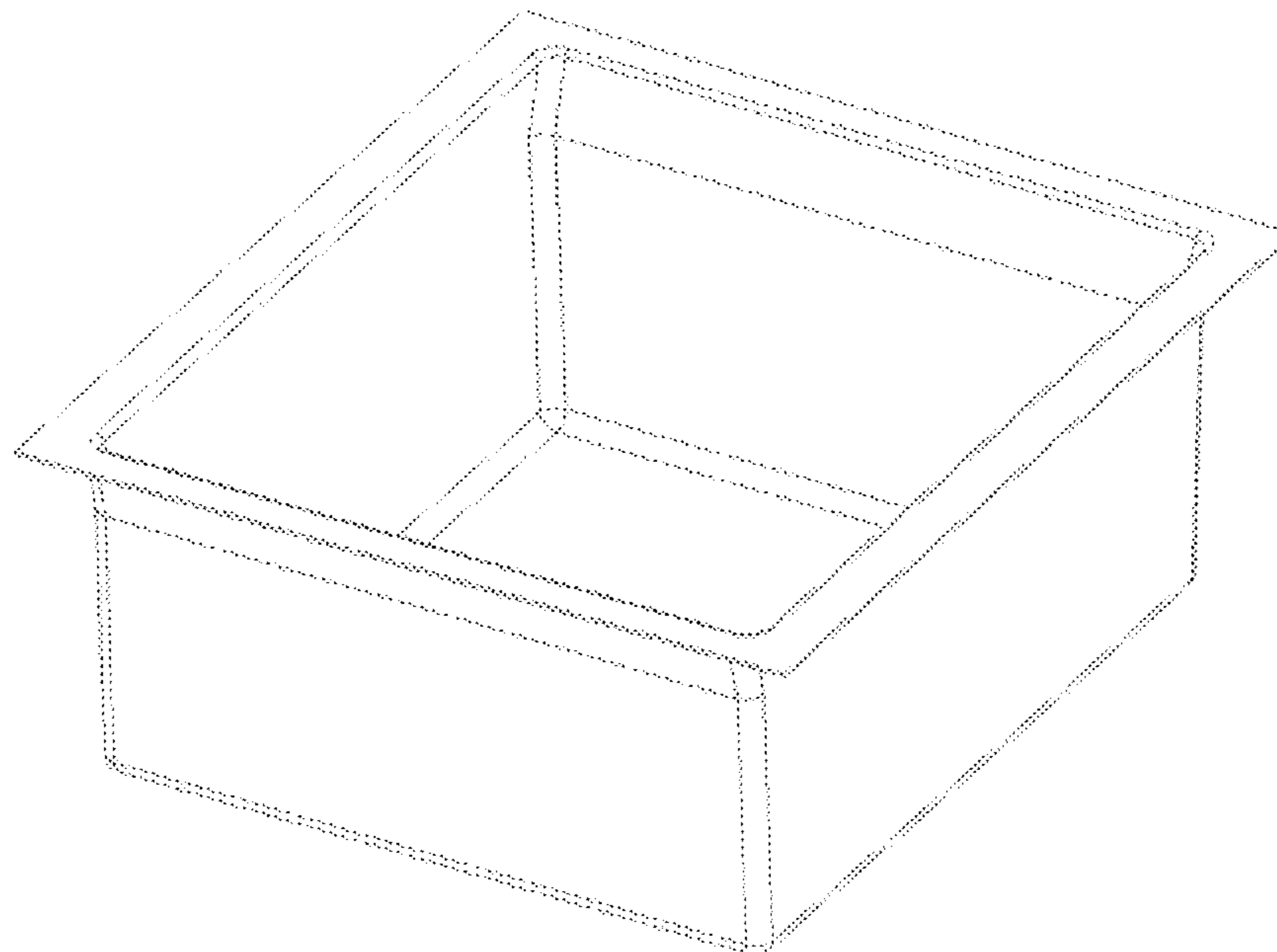
(56) **References Cited**

U.S. PATENT DOCUMENTS

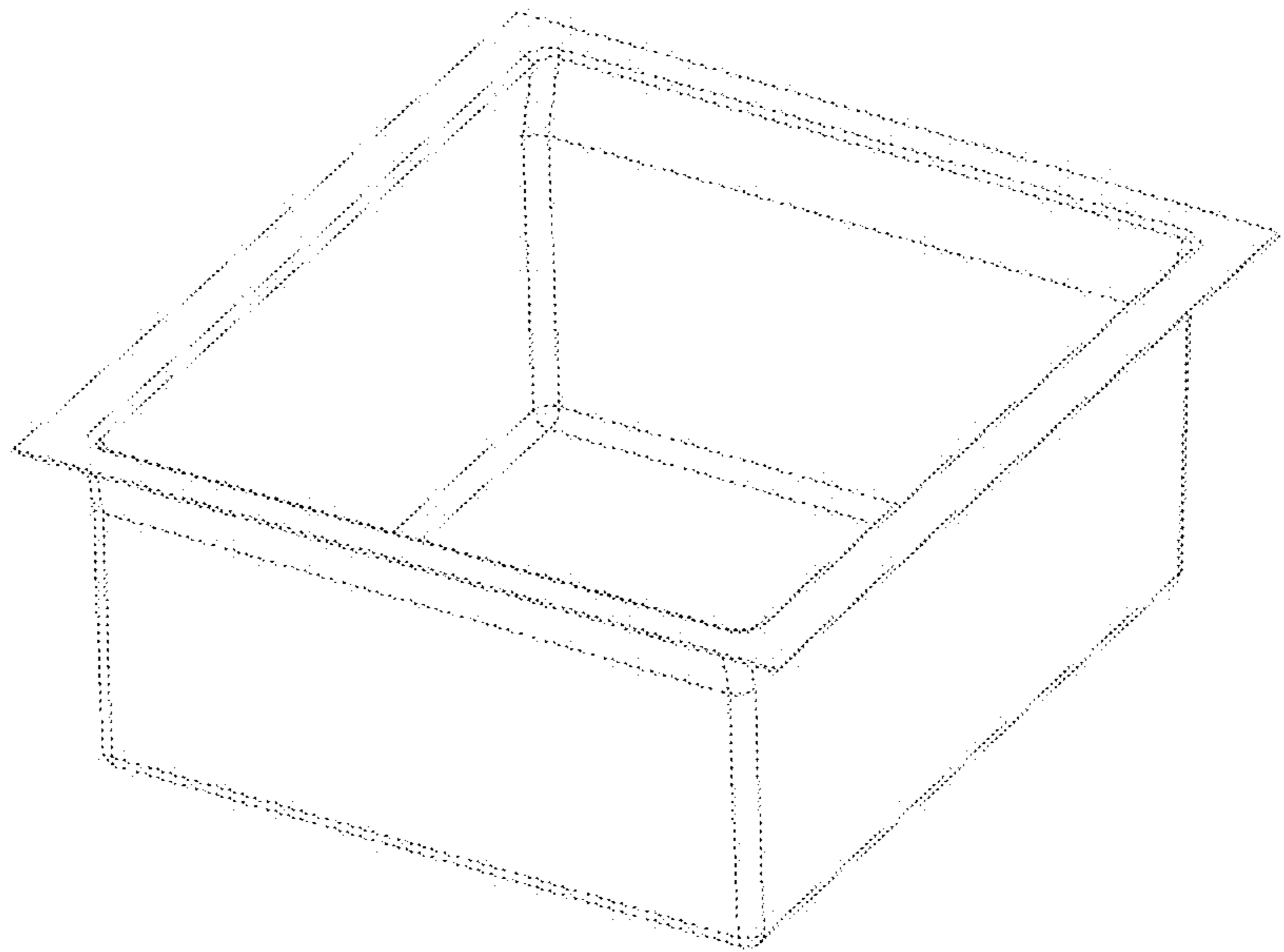
D494,665 S \* 8/2004 Herbeau ..... D23/293.1  
D549,806 S \* 8/2007 Taylor ..... D23/284  
D682,998 S \* 5/2013 Eilmus ..... D23/284  
D705,404 S \* 5/2014 Anzellini ..... D23/293.1  
D767,738 S \* 9/2016 Osterroth ..... D23/284  
D796,646 S \* 9/2017 Schoenherr ..... D23/284  
D796,648 S \* 9/2017 Francesconi ..... D23/284  
D810,246 S \* 2/2018 Schoenherr ..... D23/284  
D810,247 S \* 2/2018 Schoenherr ..... D23/284  
D810,248 S \* 2/2018 Schoenherr ..... D23/284

- 1.-3 Wash sink
- 1.1 is a perspective view.
- 1.2 is a side view.
- 1.3 is a front view.
- 1.4 is another perspective view.
- 1.5 is another perspective view.
- 1.6 is a top view
- 1.7 is a bottom view.
- 2.1 is a perspective view.
- 2.2 is another perspective view.
- 2.3 is a front view.
- 2.4 is a side view.
- 3.1 is a perspective view.
- 3.2 is a top view.
- 3.3 is a front view.
- 3.4 is a side view.
- 3.5 is another perspective view.
- 3.6 is another perspective view.

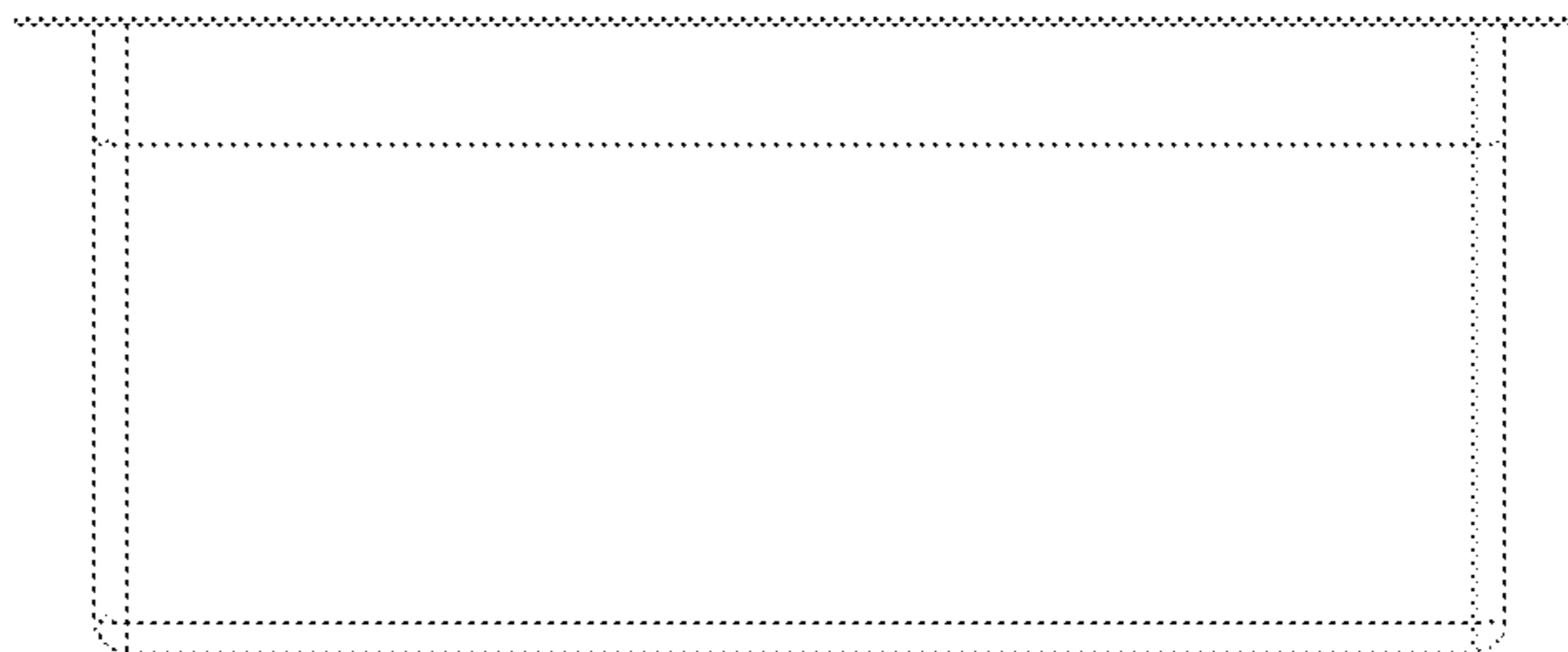
**1 Claim, 17 Drawing Sheets**



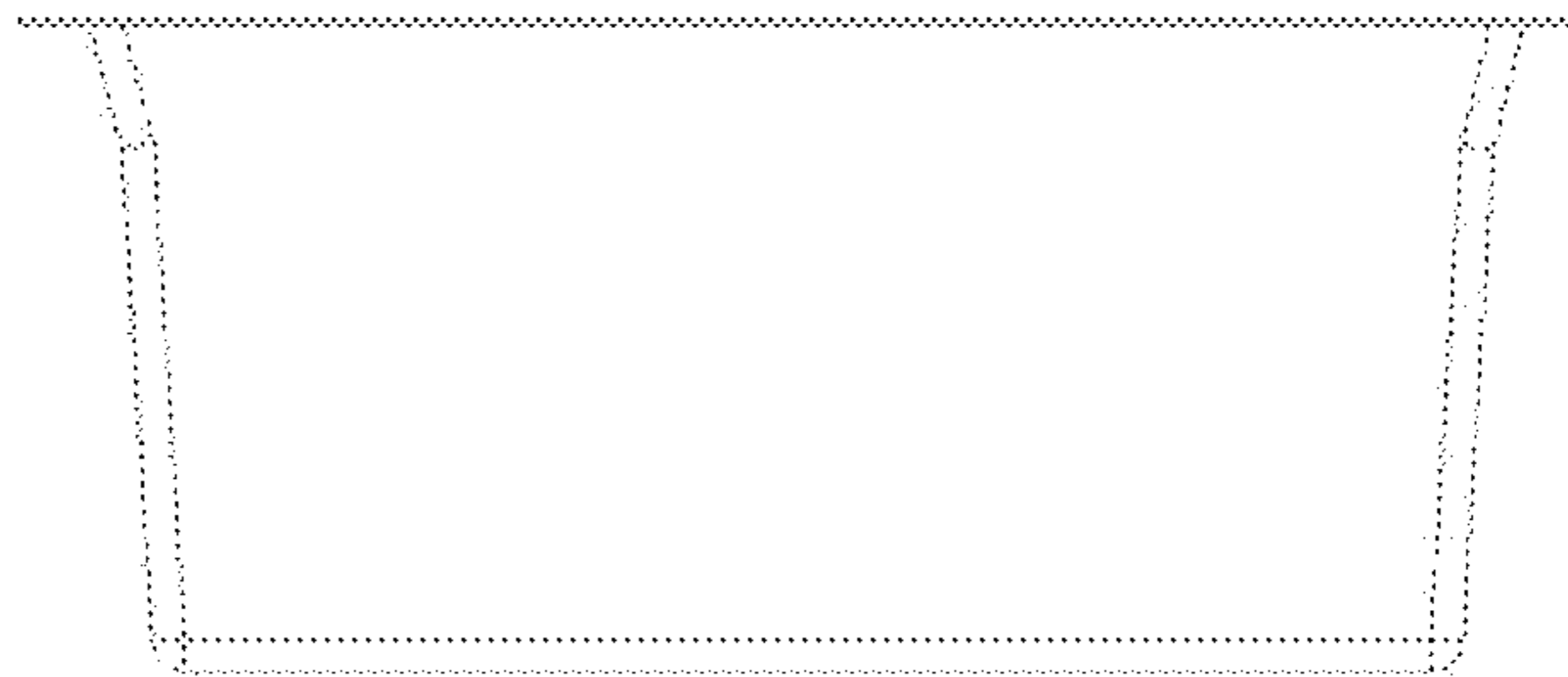
1.1



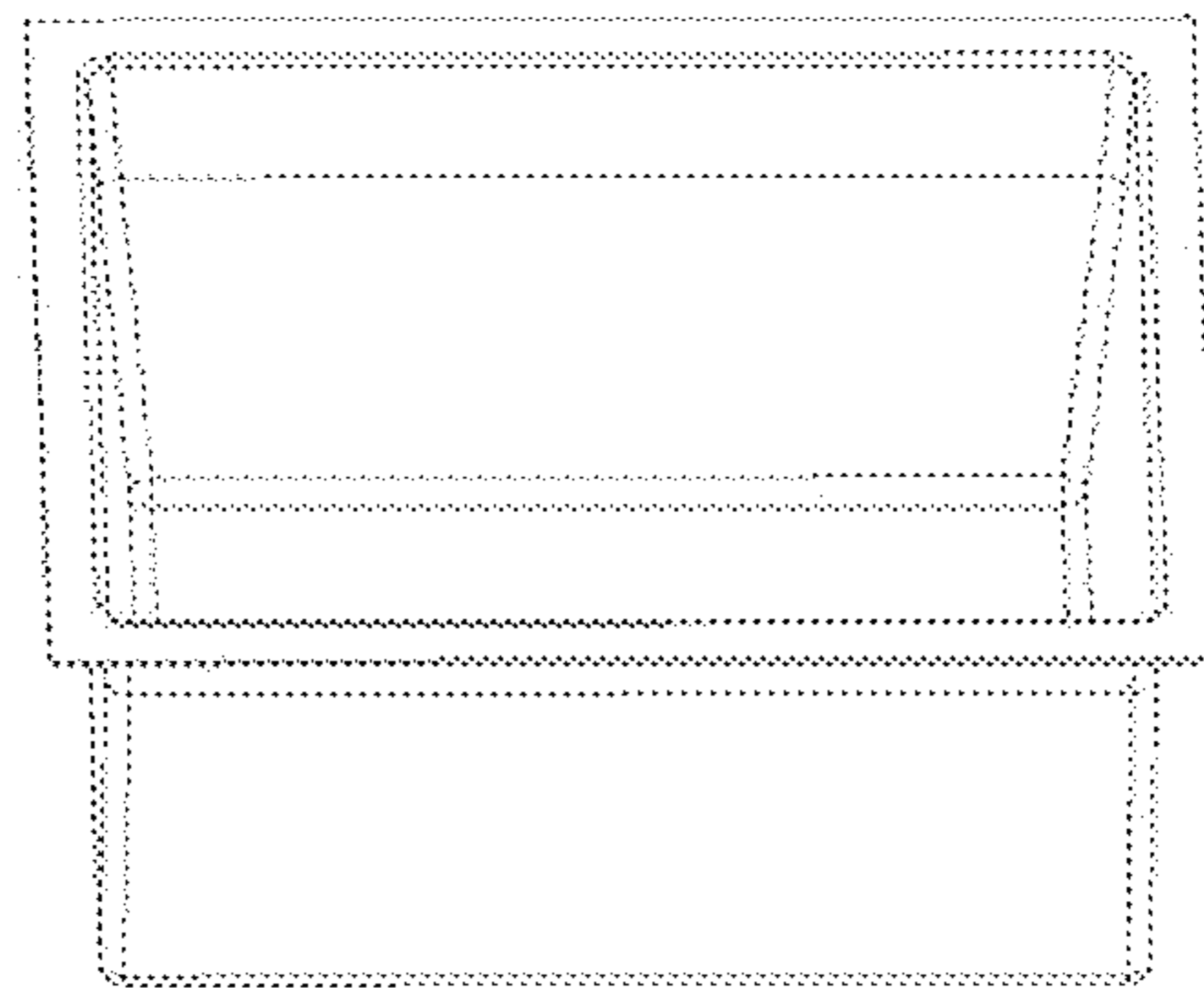
**1.2**



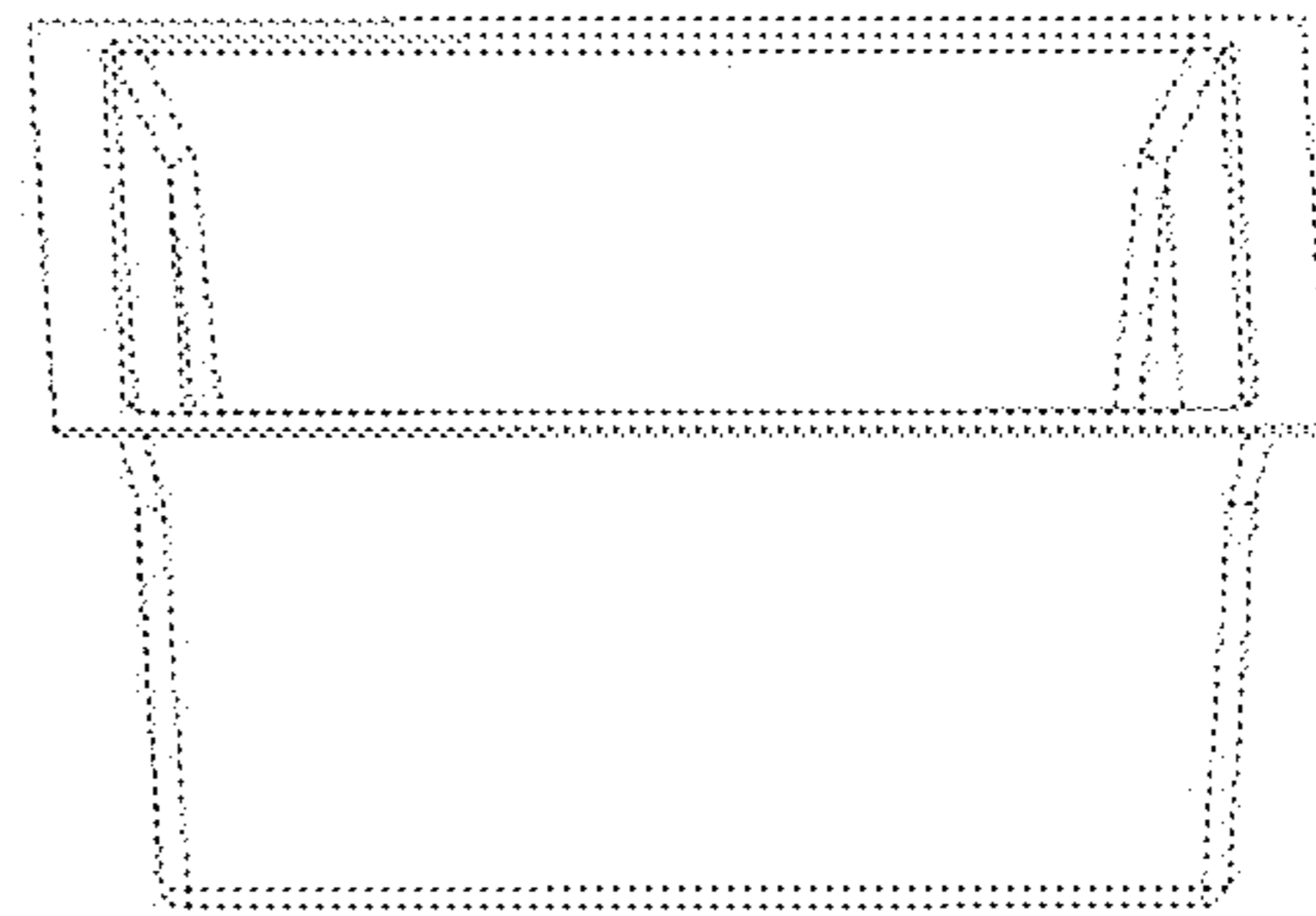
1.3



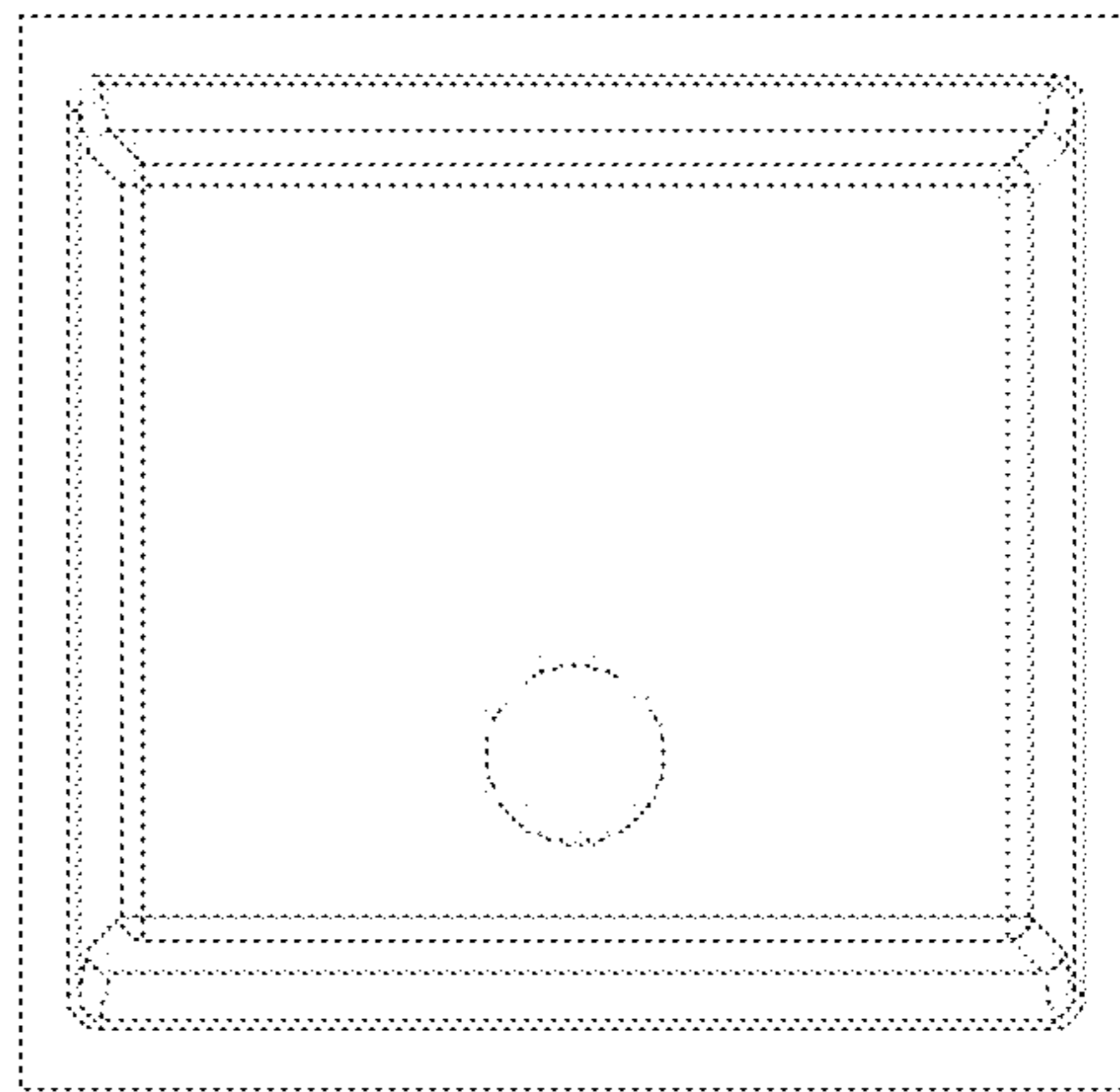
1.4



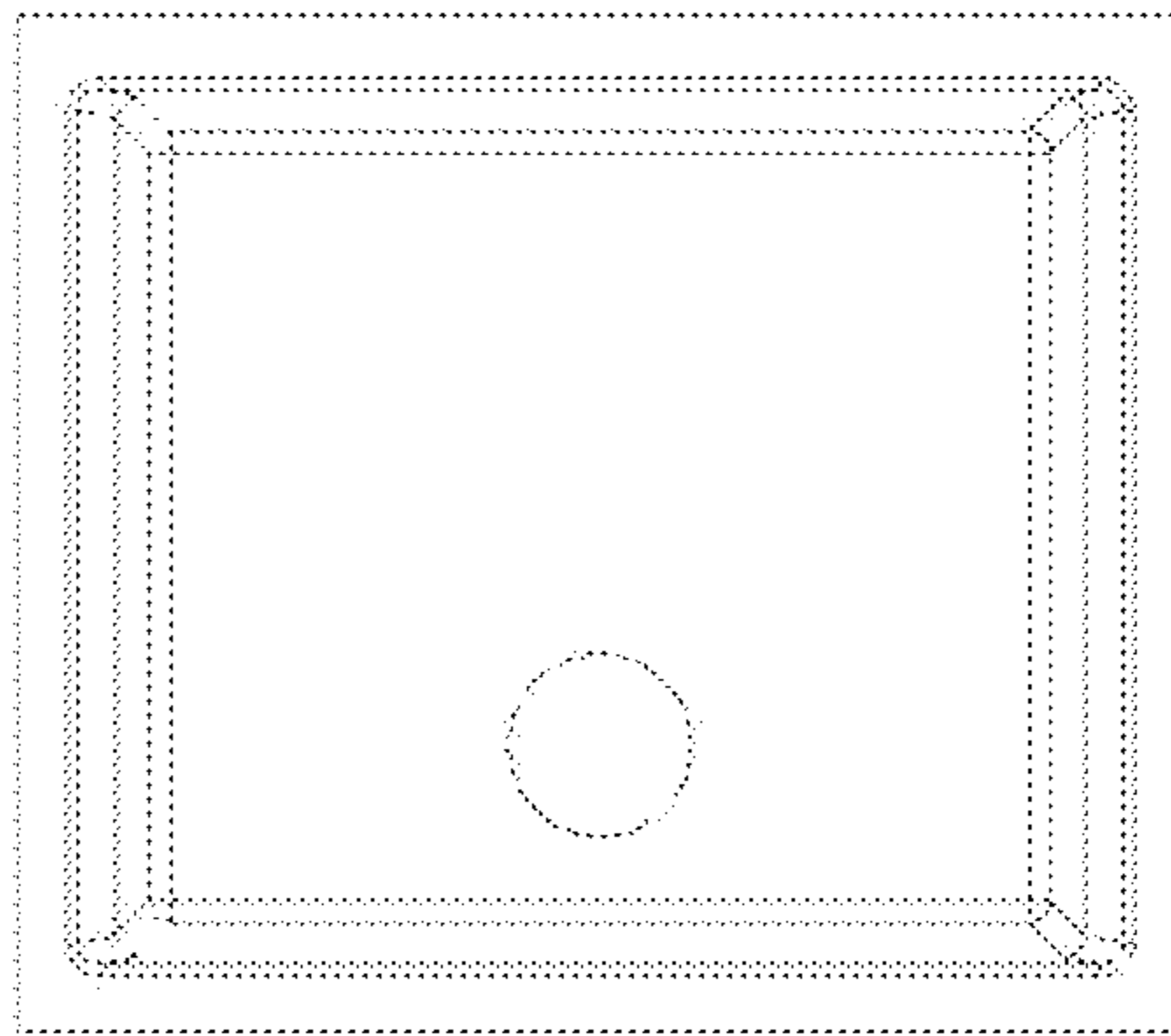
1.5



1.6

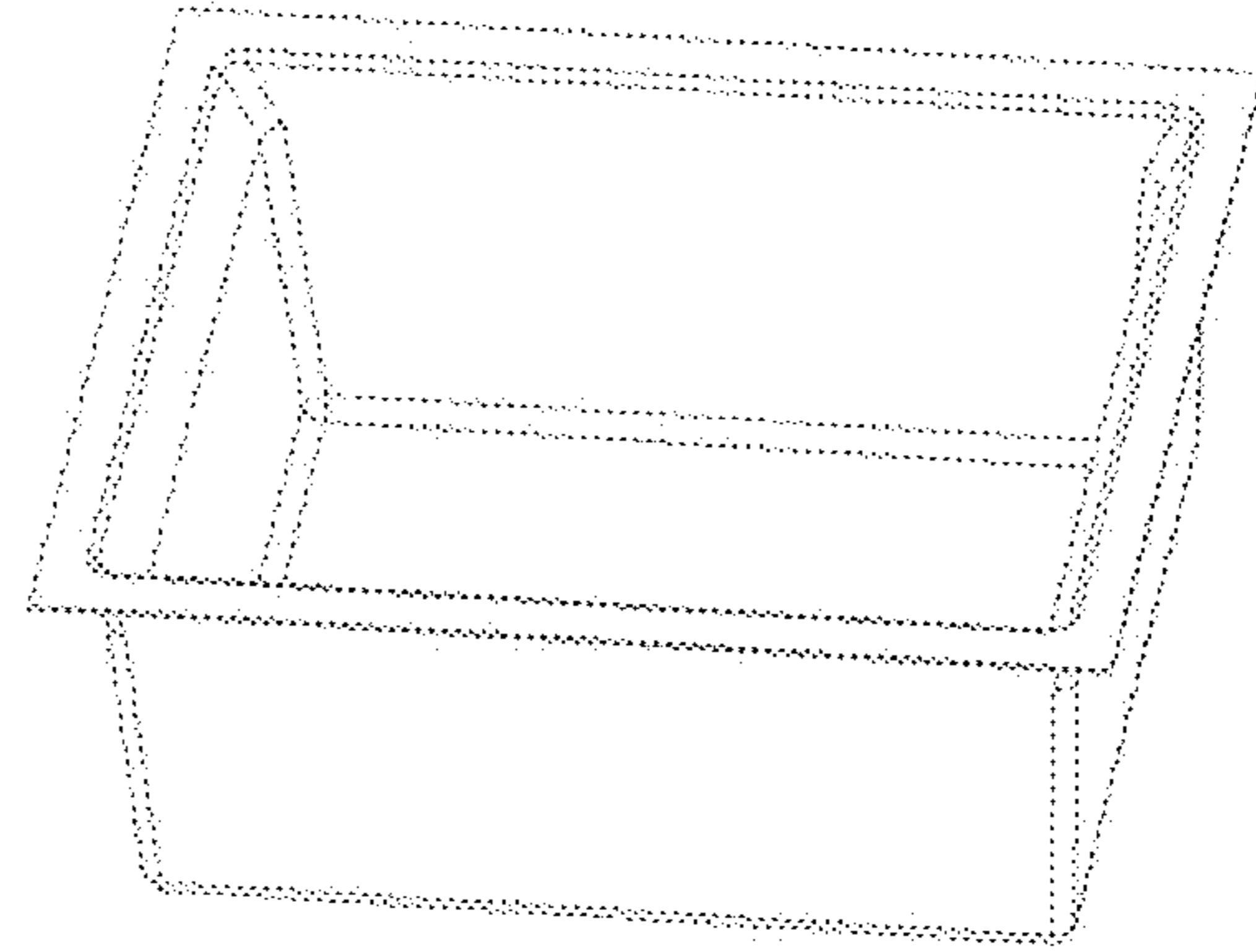


1.7

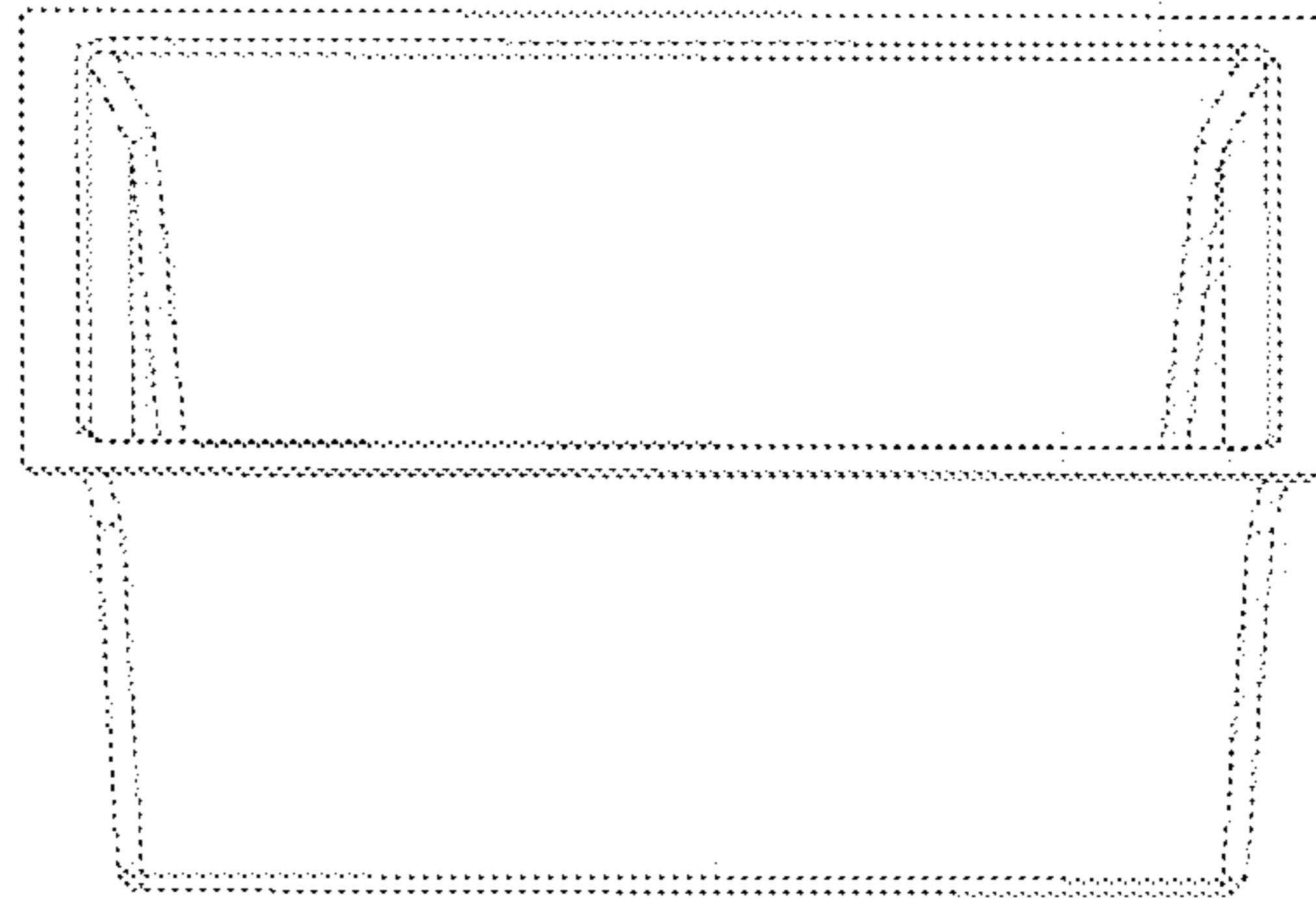




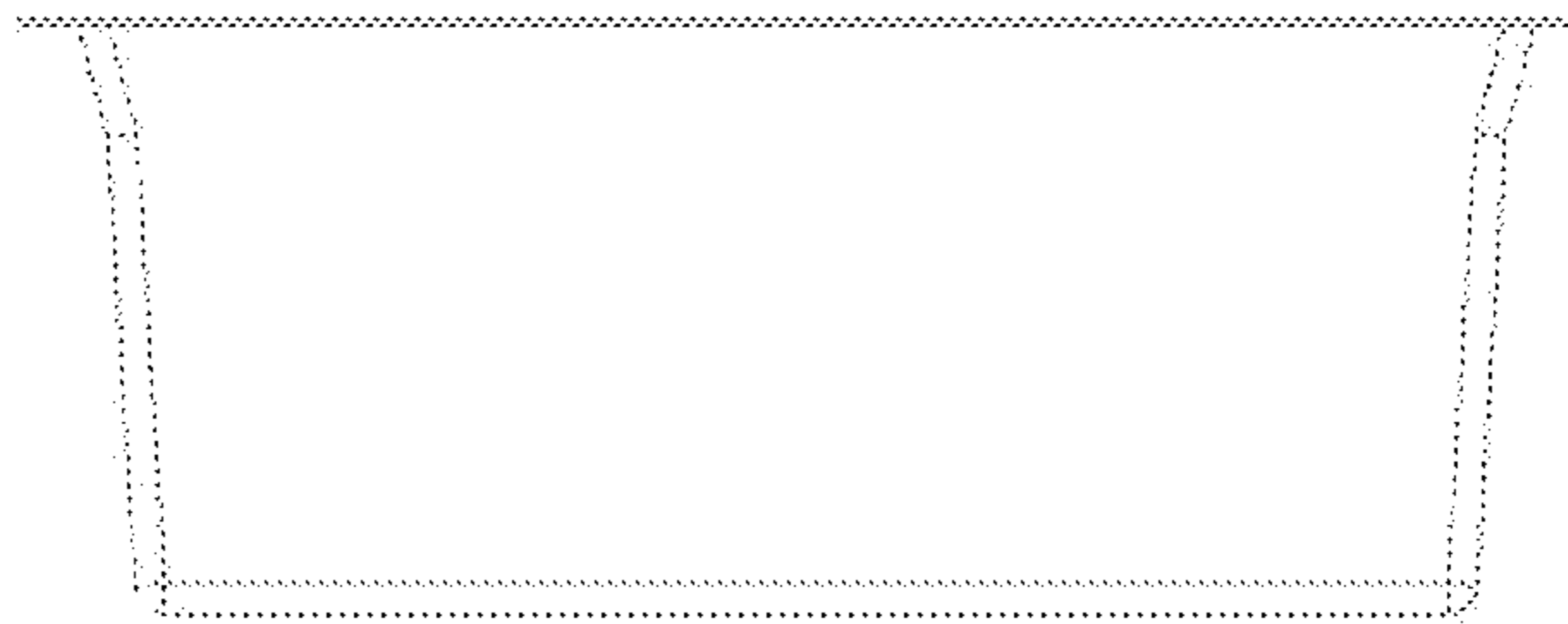
2.1



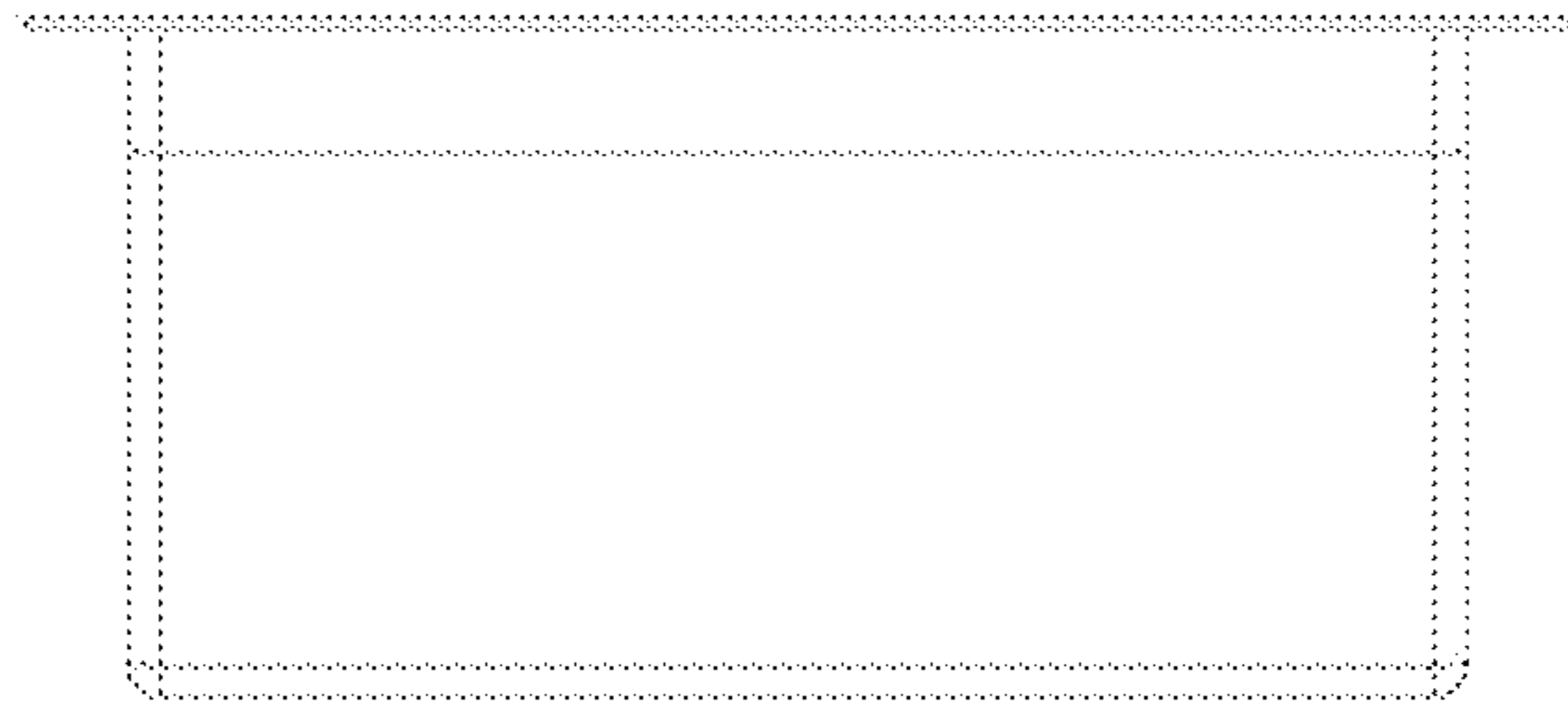
2.2



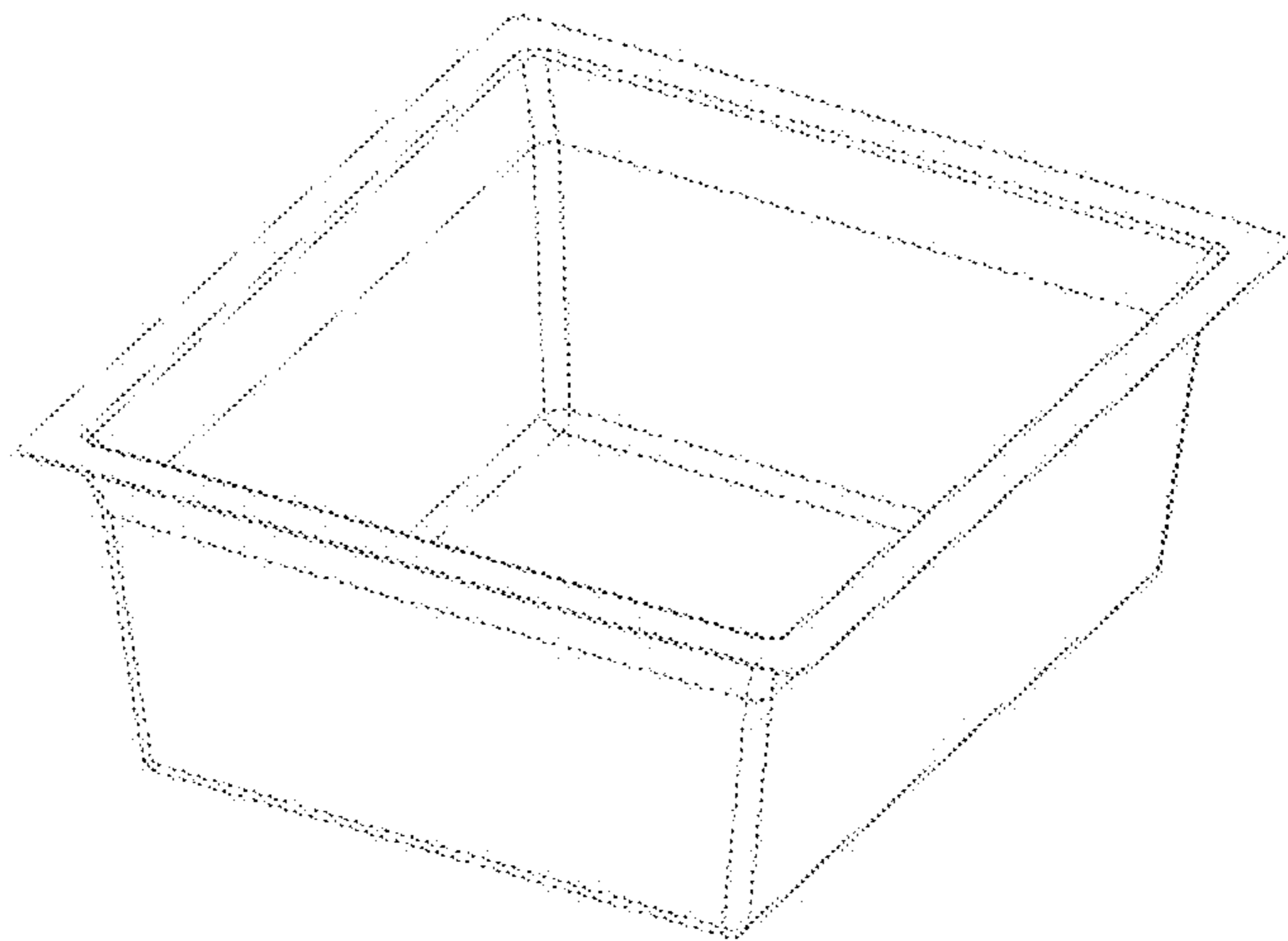
2.3



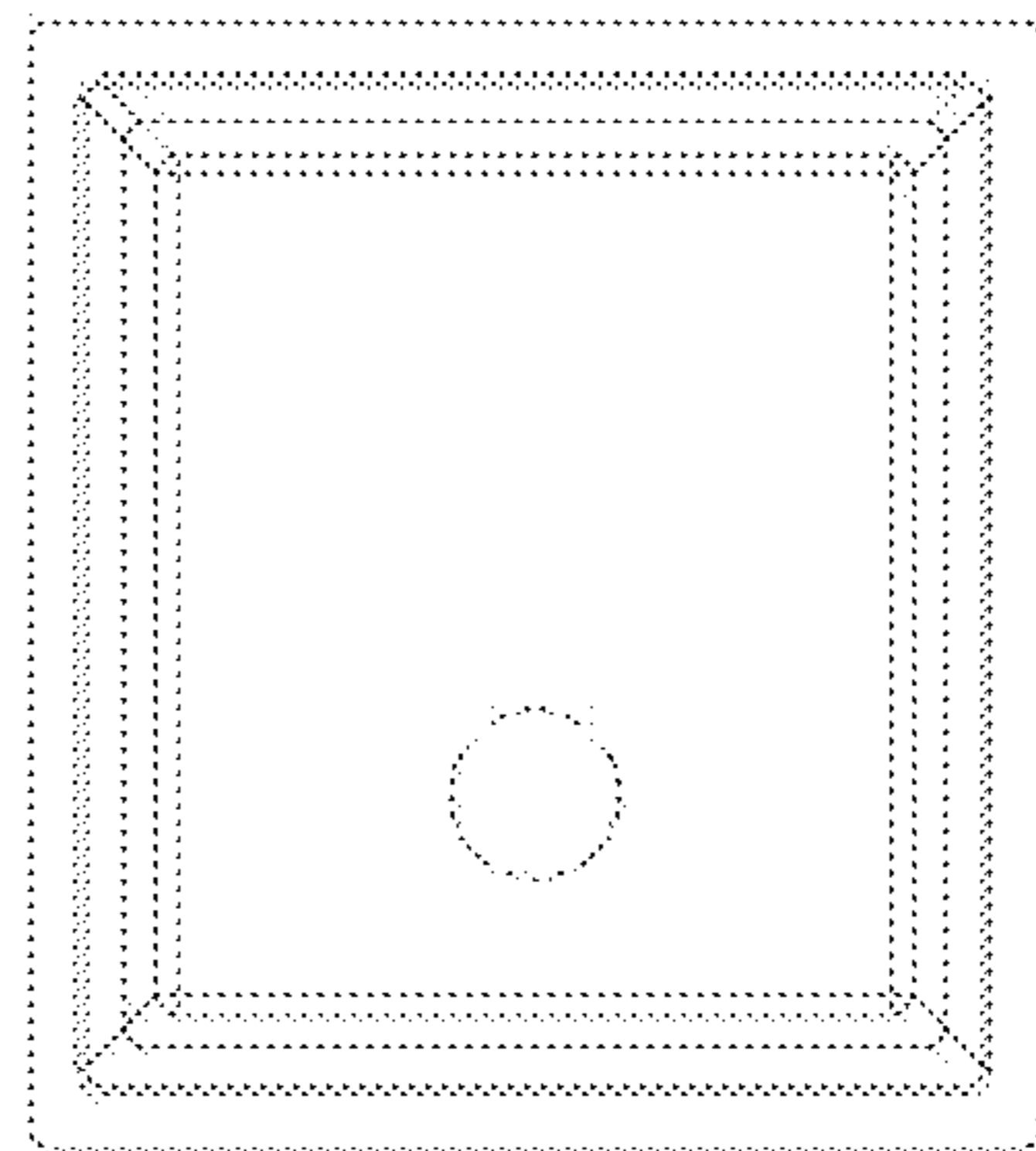
2.4



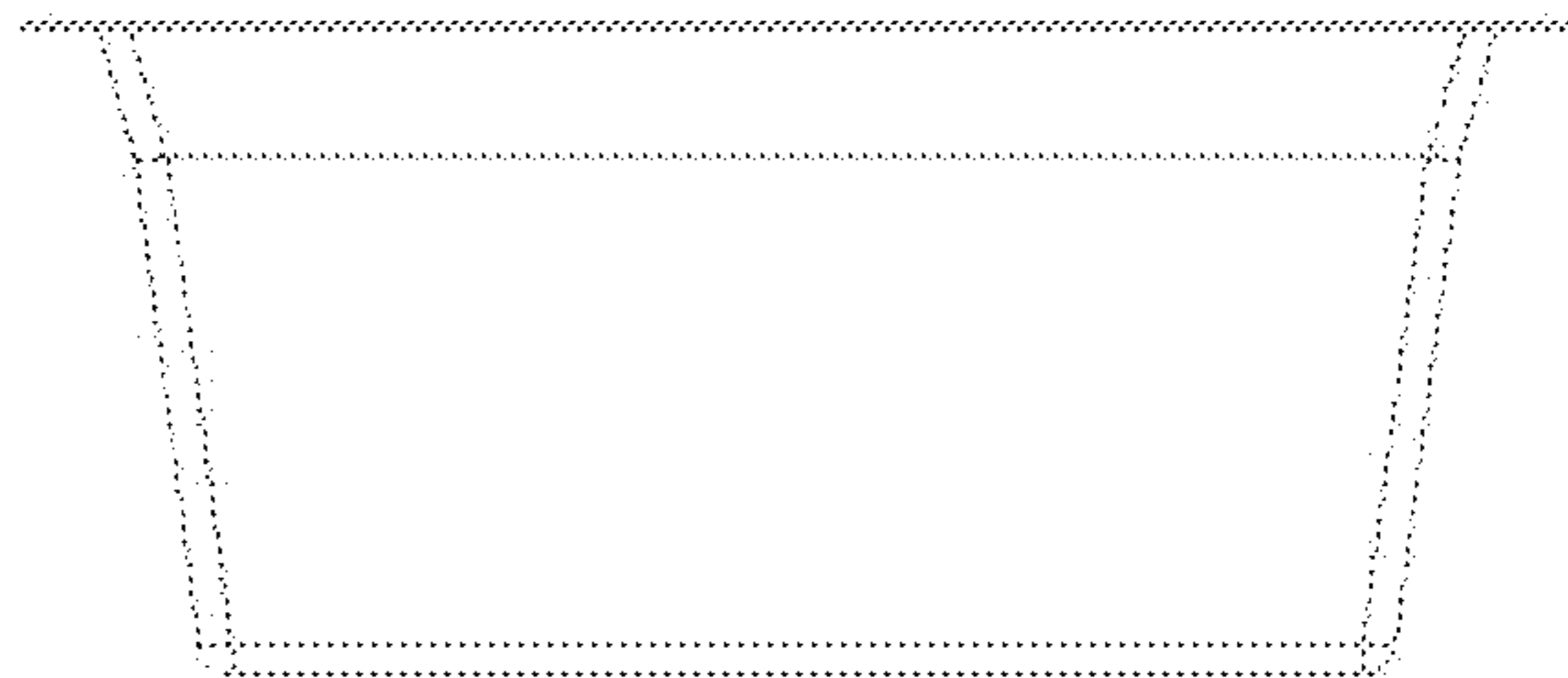
3.1



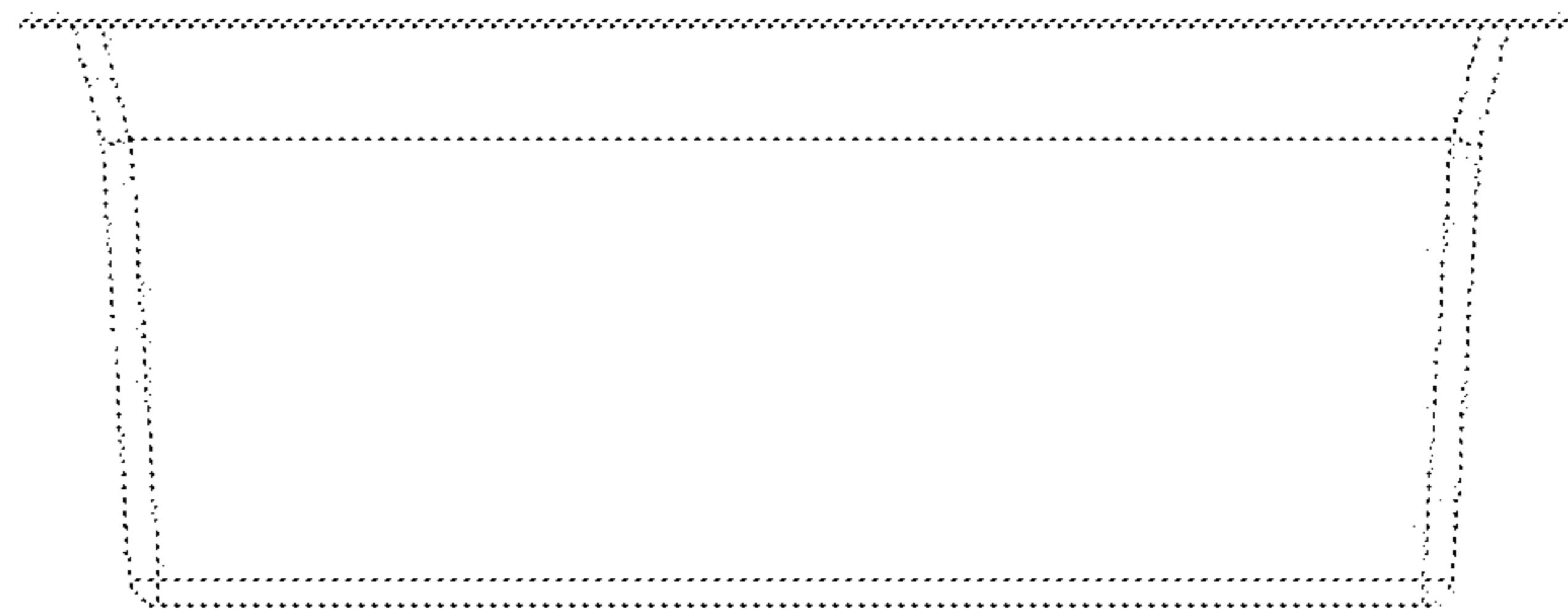
3.2



3.3

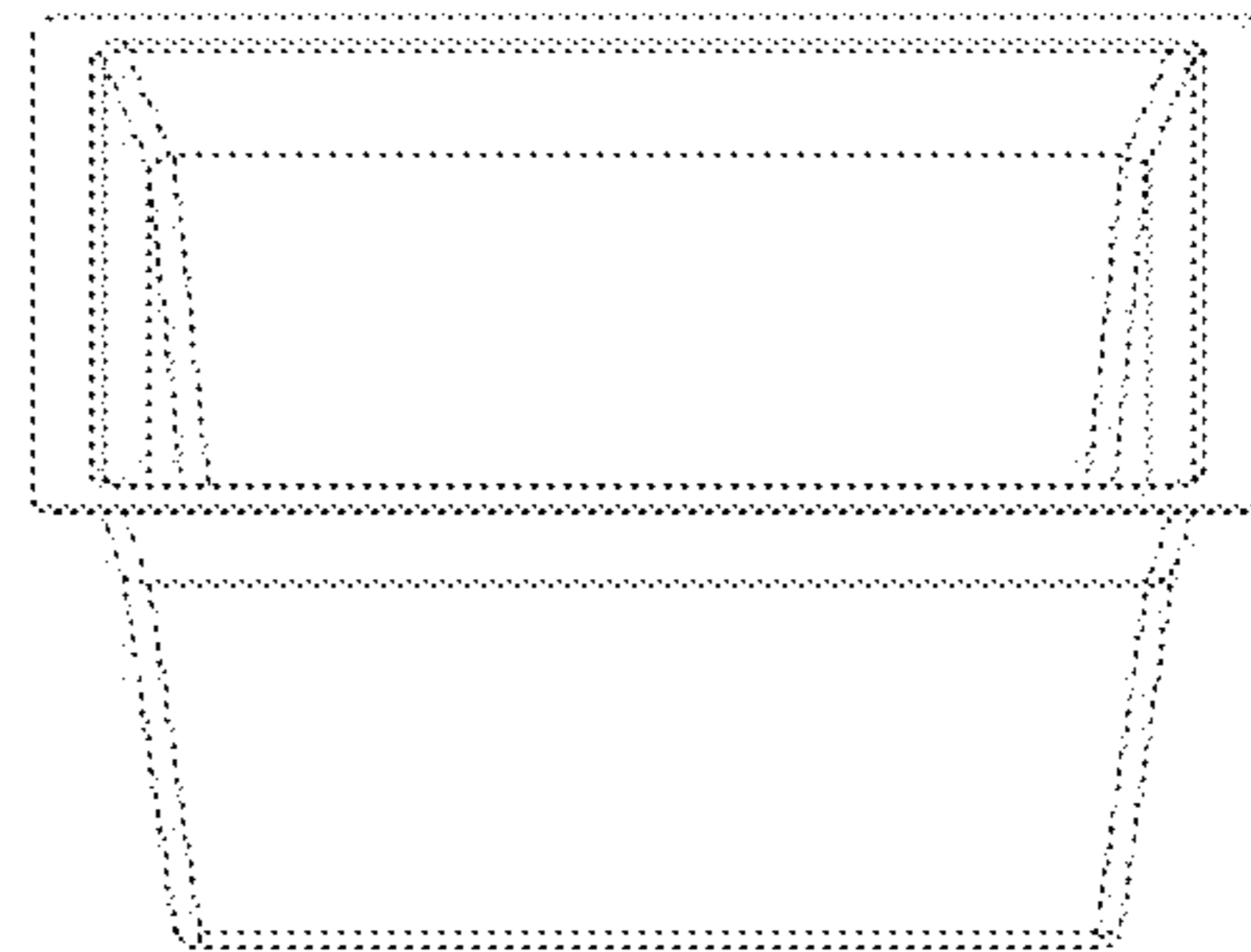


3.4





3.5



3.6

