

US00D937392S

(12) **United States Design Patent**
Vaz et al.

(10) **Patent No.:** **US D937,392 S**

(45) **Date of Patent:** **** Nov. 30, 2021**

(54) **MALE HOSE COUPLING**

(71) Applicant: **TEKNOR APEX COMPANY,**
Pawtucket, RI (US)

(72) Inventors: **David Vaz,** Riverside, RI (US); **Mark Buchan,** Norton, MA (US)

(73) Assignee: **TEKNOR APEX COMPANY,**
Pawtucket, RI (US)

(**) Term: **15 Years**

(21) Appl. No.: **29/657,914**

(22) Filed: **Jul. 26, 2018**

(51) **LOC (13) Cl.** **23-01**

(52) **U.S. Cl.**
USPC **D23/262**

(58) **Field of Classification Search**
USPC D23/259, 262–266, 245, 213, 233, 235;
285/197–200; 137/315.23, 798;
138/109–110, 155, 96 T; D13/133, 151;
D8/382, 396
CPC F16L 37/252; F16L 43/00
See application file for complete search history.

(56) **References Cited**

U.S. PATENT DOCUMENTS

D46,944 S *	2/1915	Coughlin	D23/266
2,813,730 A *	11/1957	Courtot	F16L 33/22
				285/242
D231,928 S *	6/1974	Nelson	D23/247
D603,940 S *	11/2009	Jerabek	D23/262
D627,038 S *	11/2010	Yu	D23/260
D736,357 S	8/2015	Melo et al.		
D736,358 S	8/2015	Melo et al.		
D736,359 S	8/2015	Melo et al.		
D738,471 S	9/2015	Melo et al.		
D744,562 S *	12/2015	Hassan	D15/144
D744,563 S *	12/2015	Hassan	D15/144
D744,564 S *	12/2015	Hassan	D15/144
D757,233 S	5/2016	Vaz et al.		

D763,816 S *	8/2016	Hassan	D15/144
D777,888 S	1/2017	Vaz et al.		
D779,640 S	2/2017	Vaz et al.		

(Continued)

OTHER PUBLICATIONS

Zero-G 4001-50 Garden Hose; Amazon Earliest Review Date Feb. 18, 2016; Visited Online Jan. 19, 2021; https://www.amazon.com/zero-G-4001-100-Garden-Hose-100/dp/B01GHSBKOS/ref=sr_1_30?_encoding=UTF8&c=ts&dchild=1&keywords=Garden+Hoses&qid=1611073442&s=lawn-garden&sr=1-30&ts_id=553966 (Year: 2016).*

(Continued)

Primary Examiner — Amy C Wierenga

(74) *Attorney, Agent, or Firm* — Hudak, Shunk & Farine Co. LPA

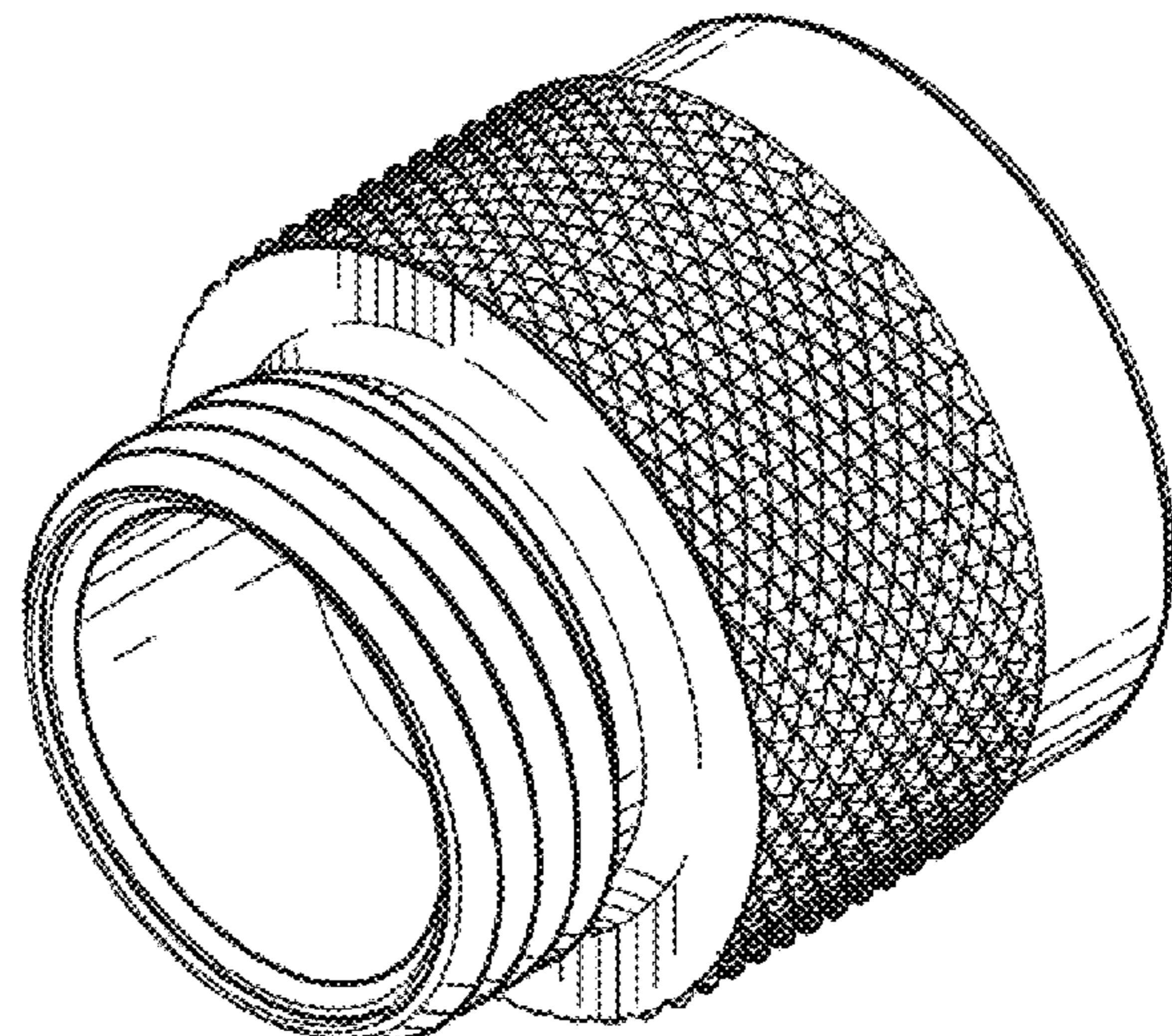
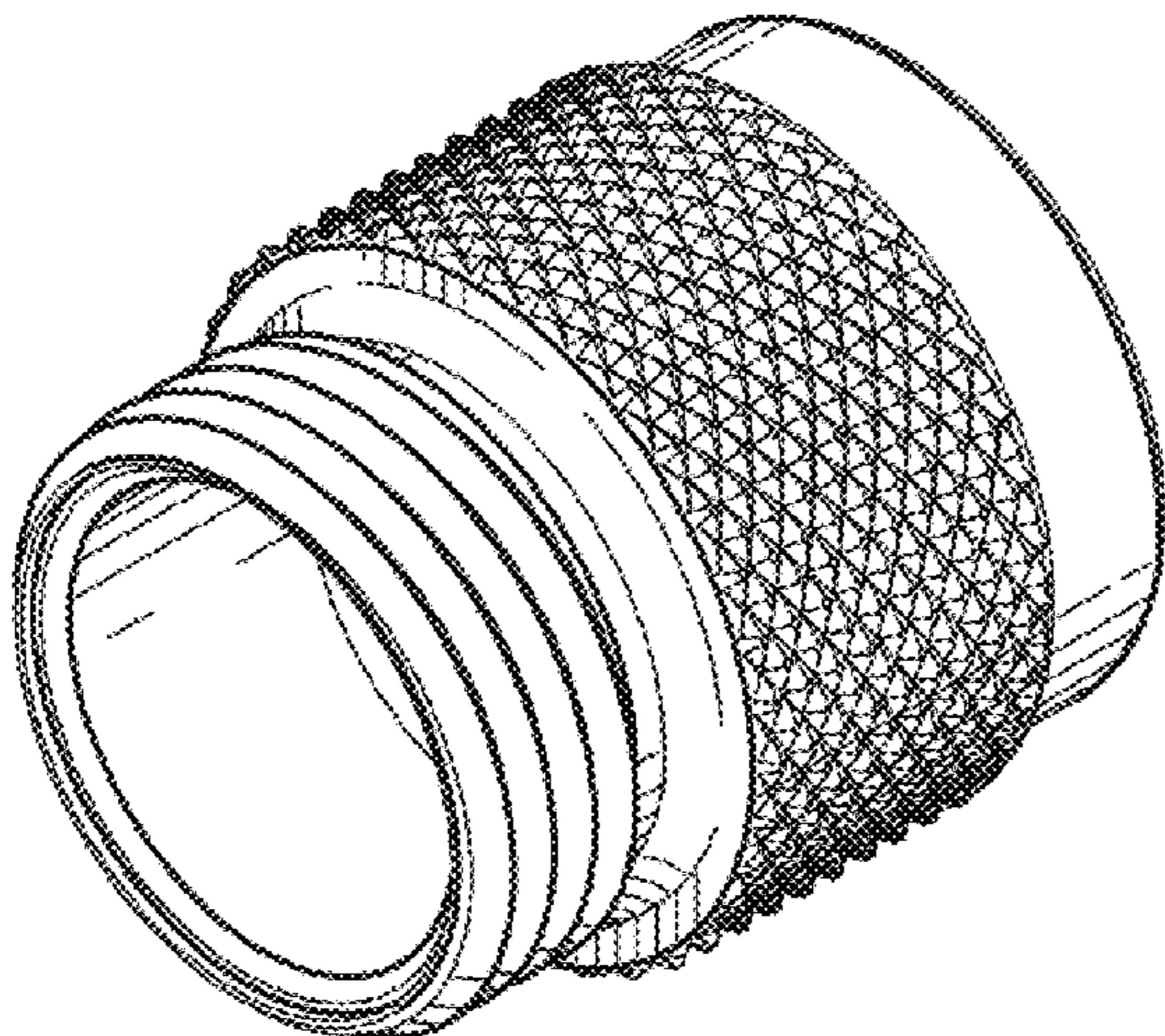
(57) **CLAIM**

An ornamental design for a male hose coupling, as shown and described.

DESCRIPTION

FIG. 1 is a front perspective view of a male hose coupling; FIG. 2 is a side view of a male hose coupling; FIG. 3 is a front view of a male hose coupling; FIG. 4 is a rear view of a male hose coupling; FIG. 5 is a rear perspective view of a male hose coupling; FIG. 6 is a front perspective view of a male hose coupling of a second embodiment; FIG. 7 is a side view of a male hose coupling shown in FIG. 6; FIG. 8 is a front view of a male hose coupling shown in FIG. 6; FIG. 9 is a rear view of a male hose coupling shown in FIG. 6; and, FIG. 10 is a rear perspective view of a male hose coupling shown in FIG. 6.

1 Claim, 2 Drawing Sheets



(56)

References Cited

U.S. PATENT DOCUMENTS

D782,623 S 3/2017 Vaz et al.
D784,497 S 4/2017 Vaz et al.
D785,141 S 4/2017 Vaz et al.
9,810,357 B2 * 11/2017 Blanchette F16L 33/207
D812,202 S * 3/2018 Blanchette D23/266

OTHER PUBLICATIONS

Review of the Zero-G Garden Hose by Teknor Apex; YouTube
Video Frames 3:40-3:44+/7:12 and 4:38+/7:12; Published Aug. 19,
2016; Visited Online Jan. 19, 21; <https://www.youtube.com/watch?v=BhQZ6XSOnek&t=125s> (Year: 2016).*

* cited by examiner

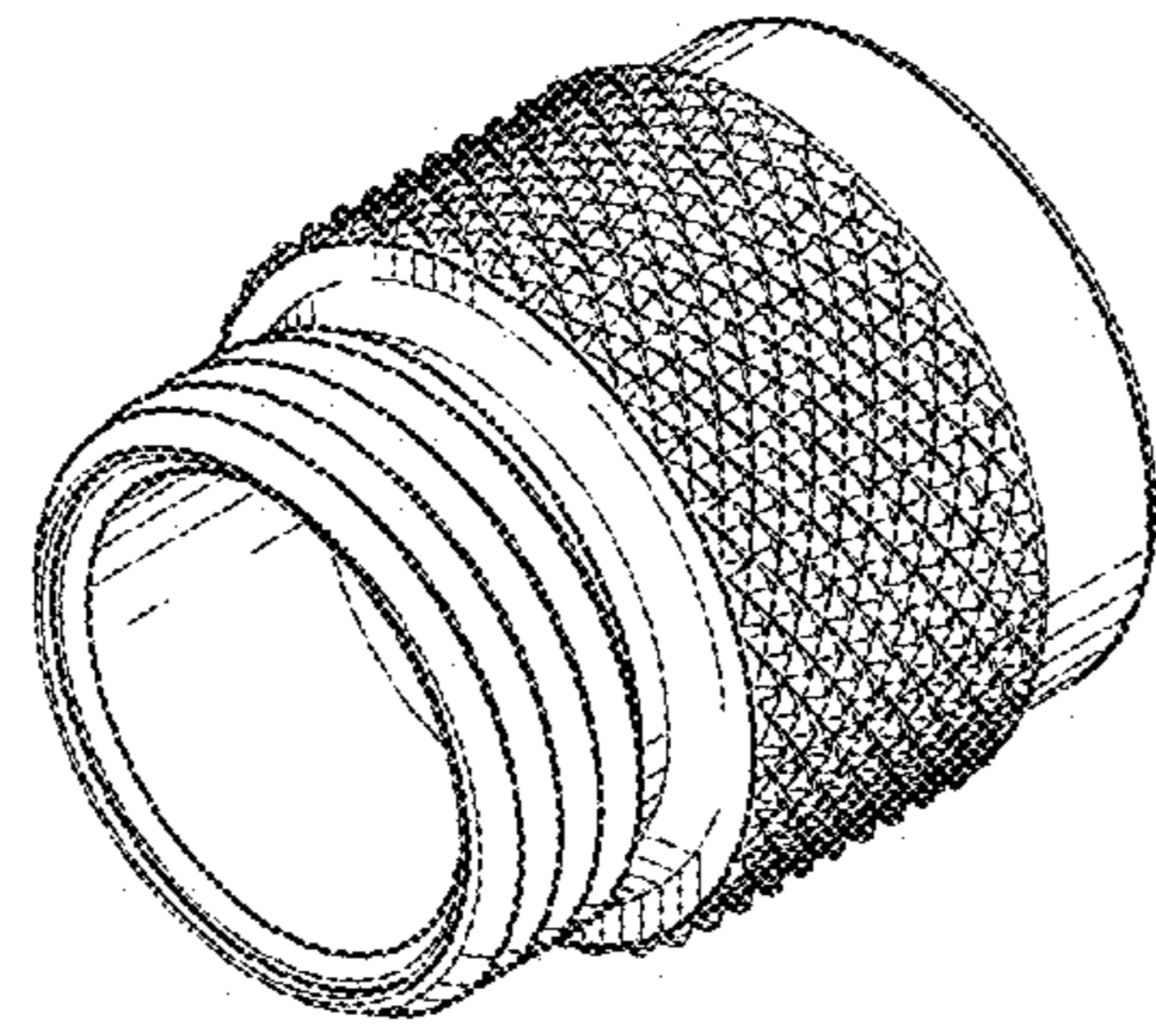


FIG. 1

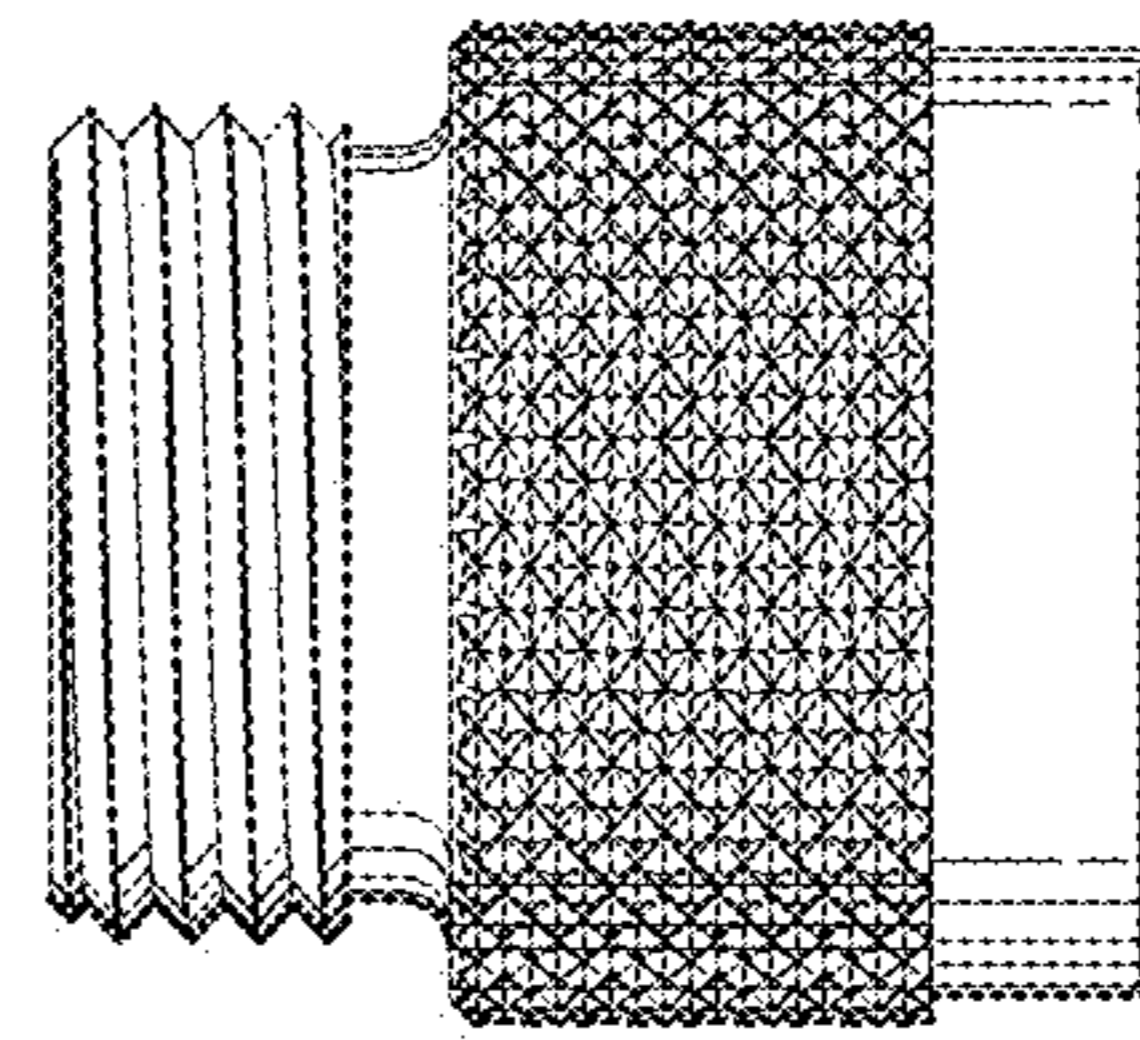


FIG. 2

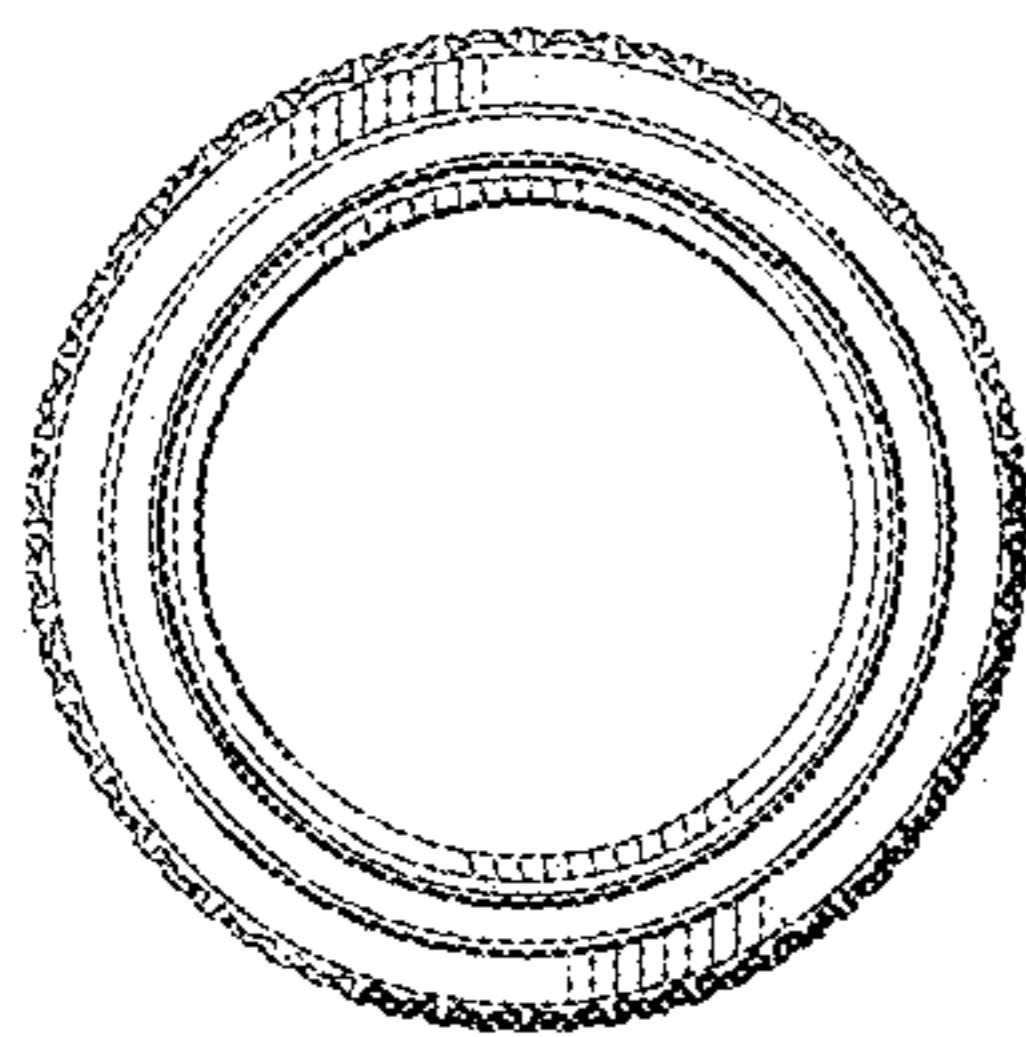


FIG. 3

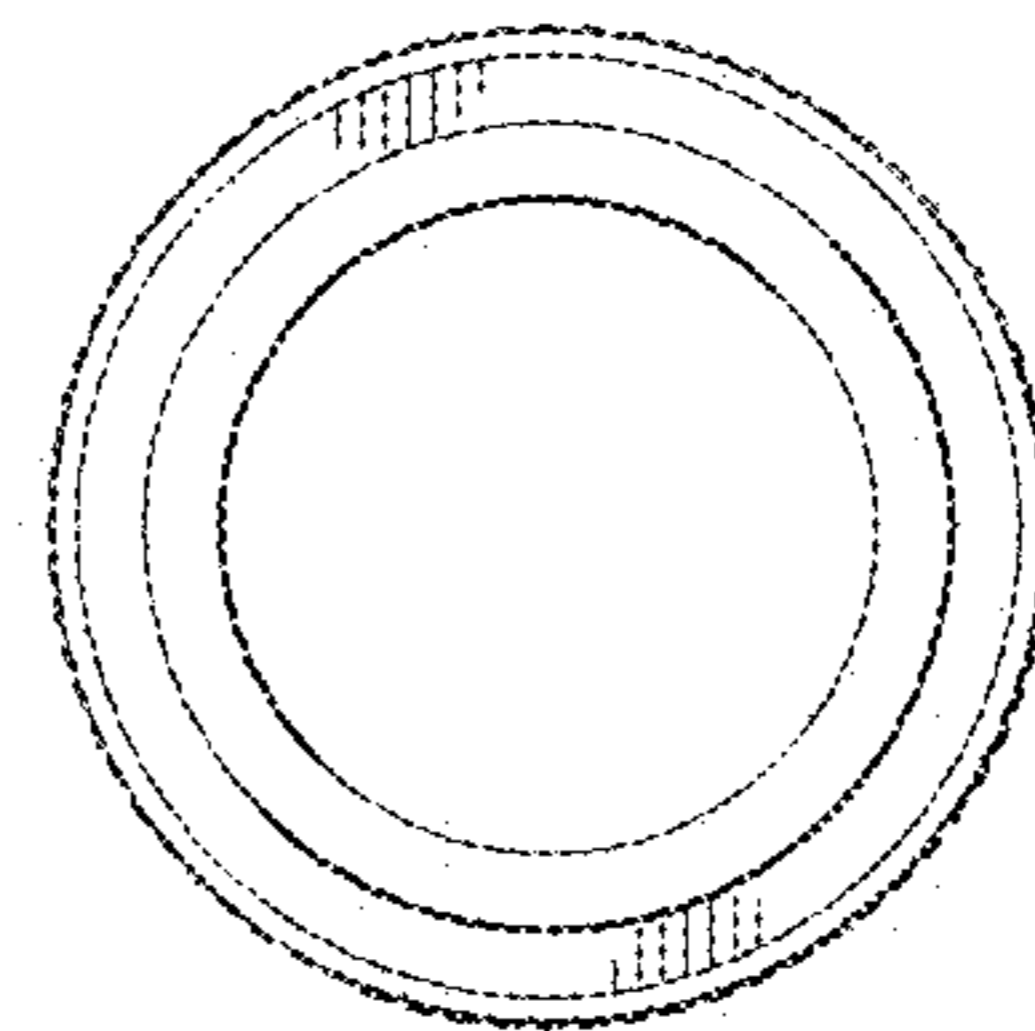


FIG. 4

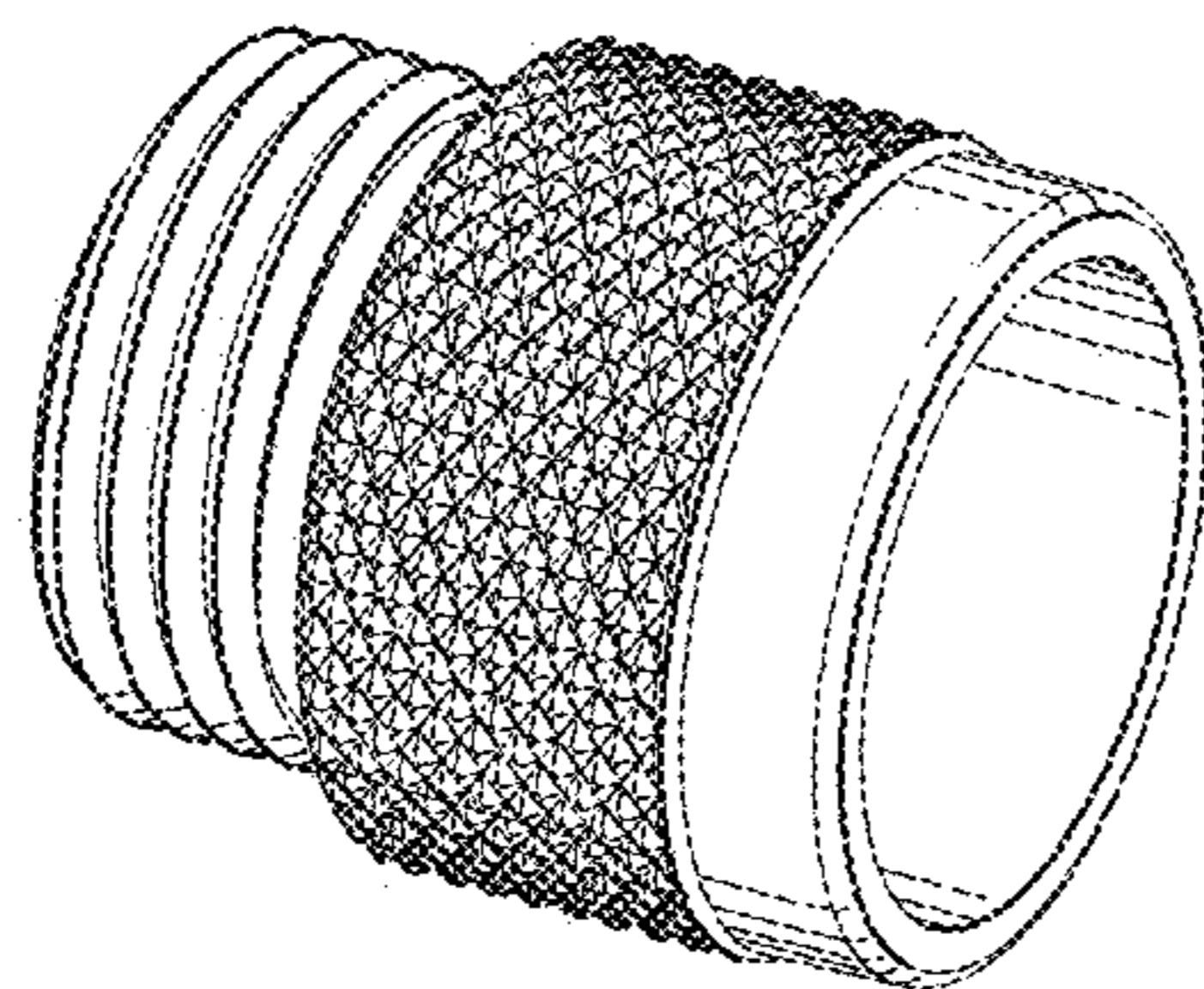


FIG. 5

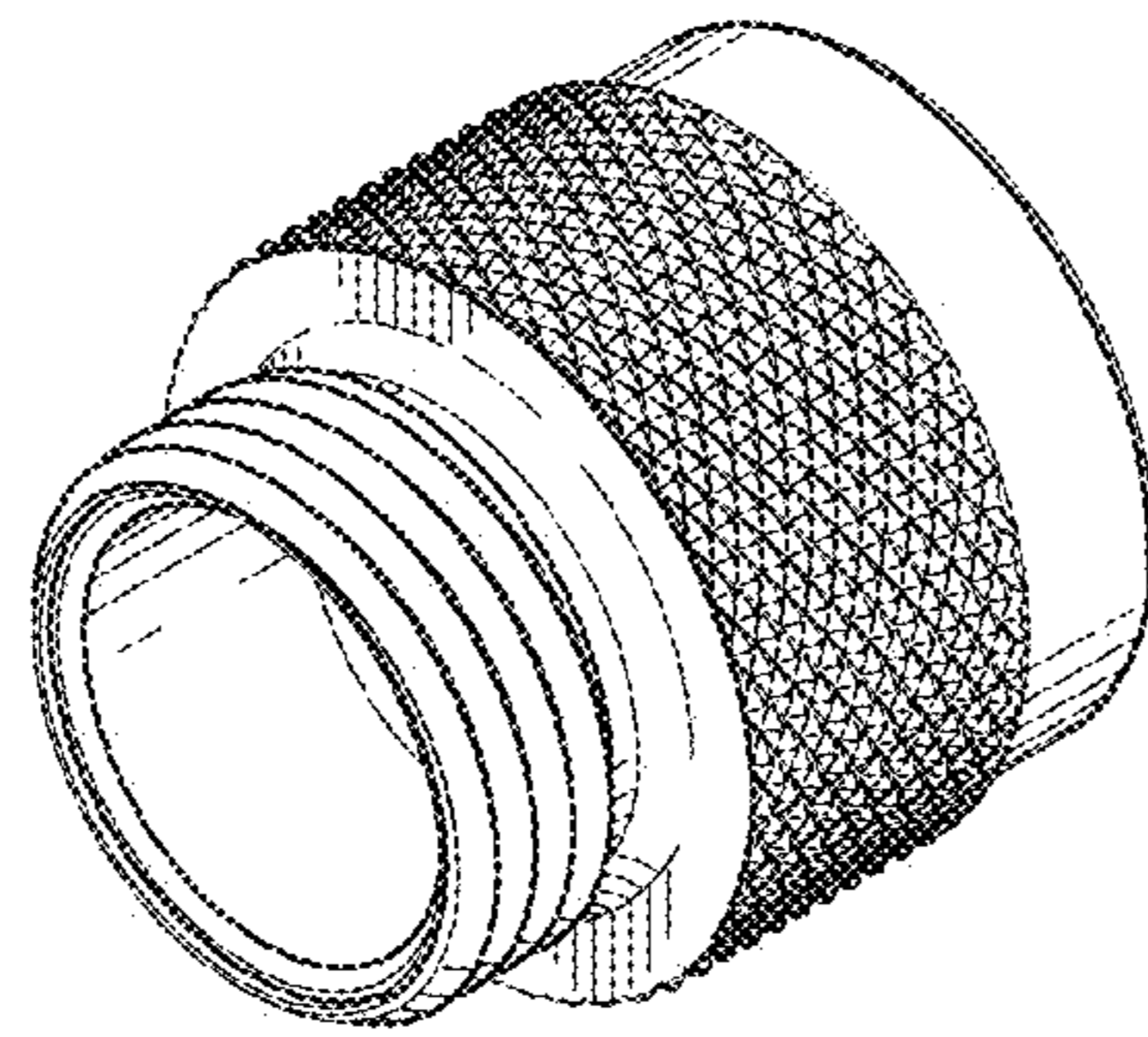


FIG. 6

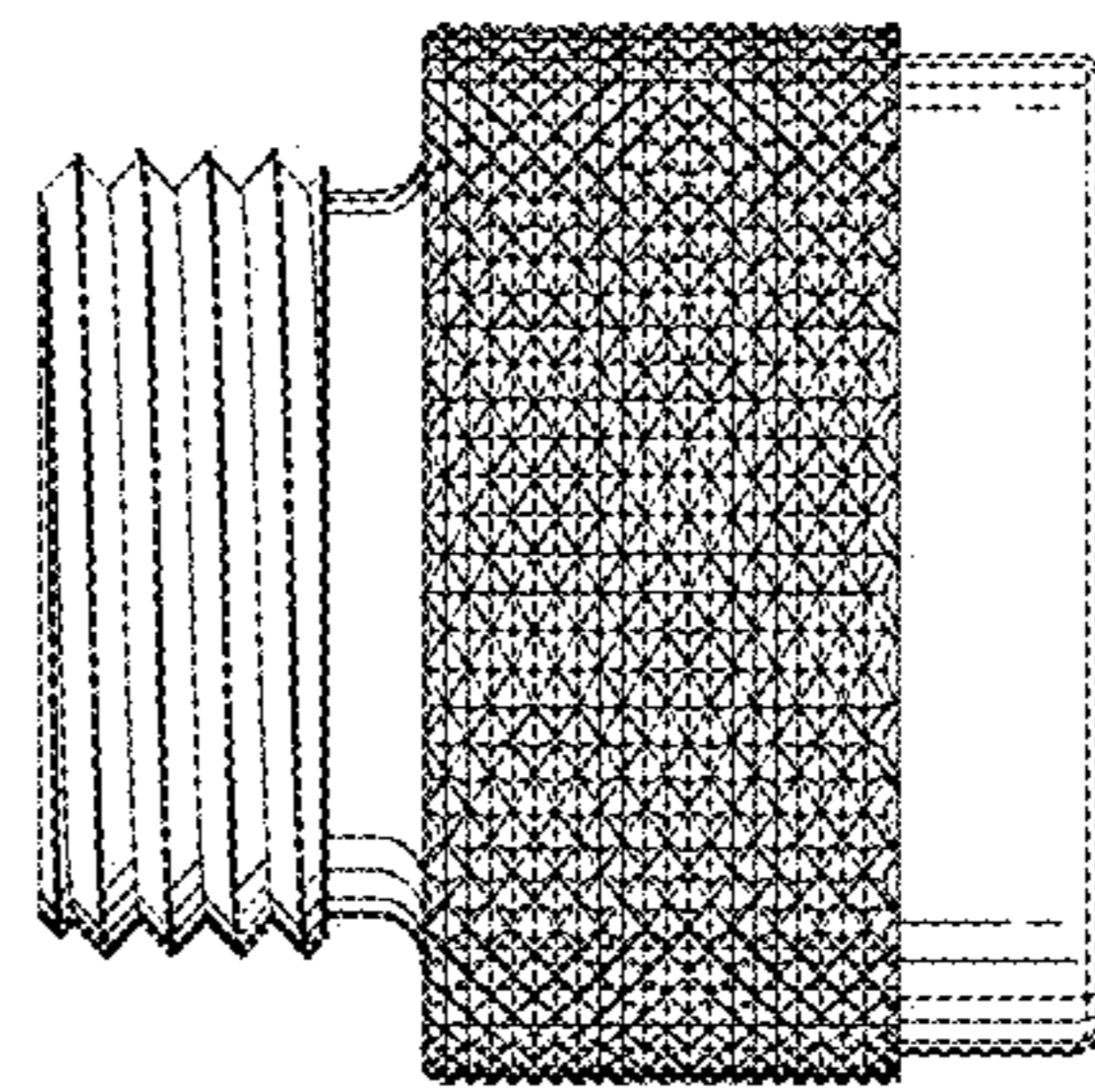


FIG. 7

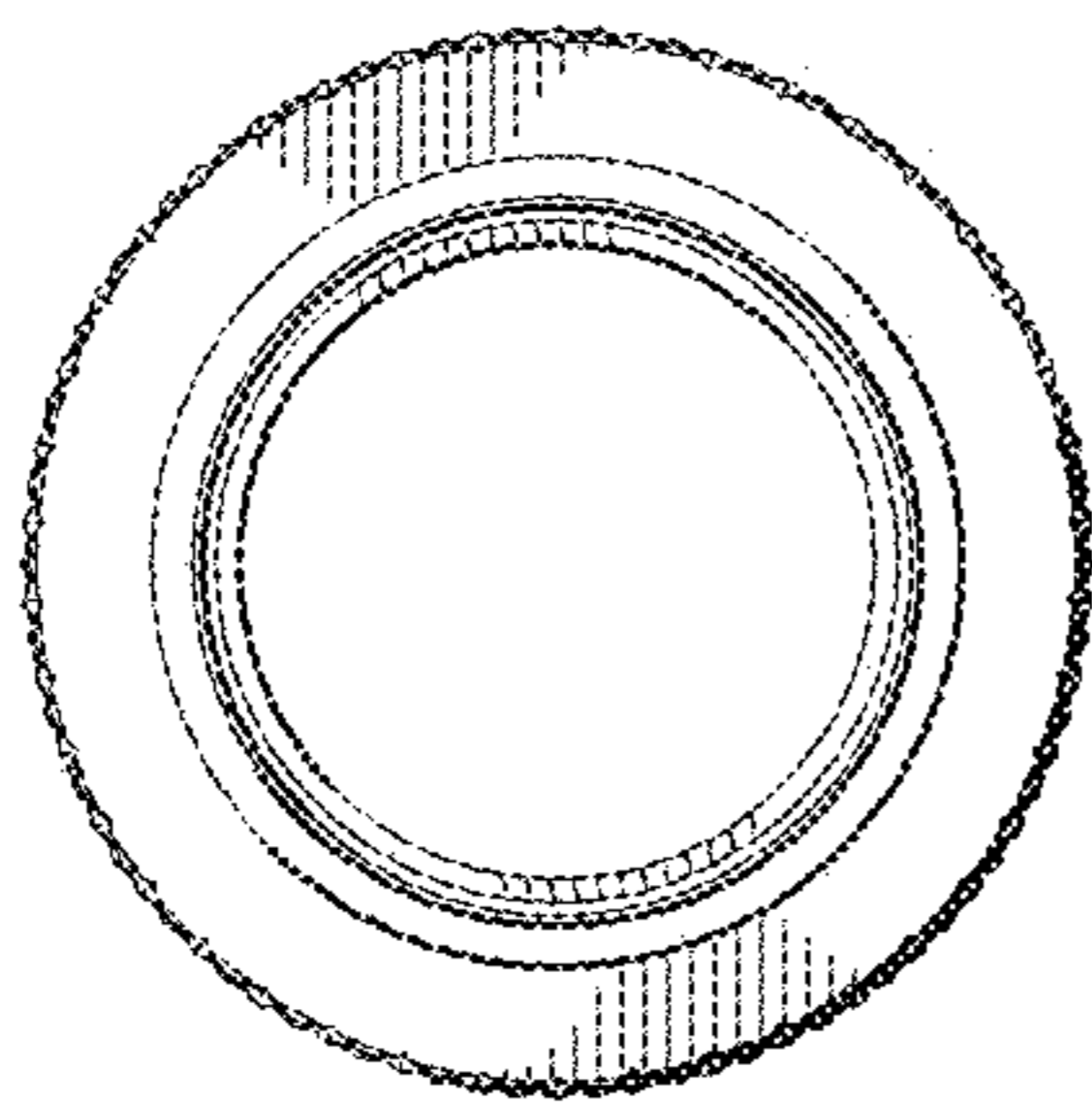


FIG. 8

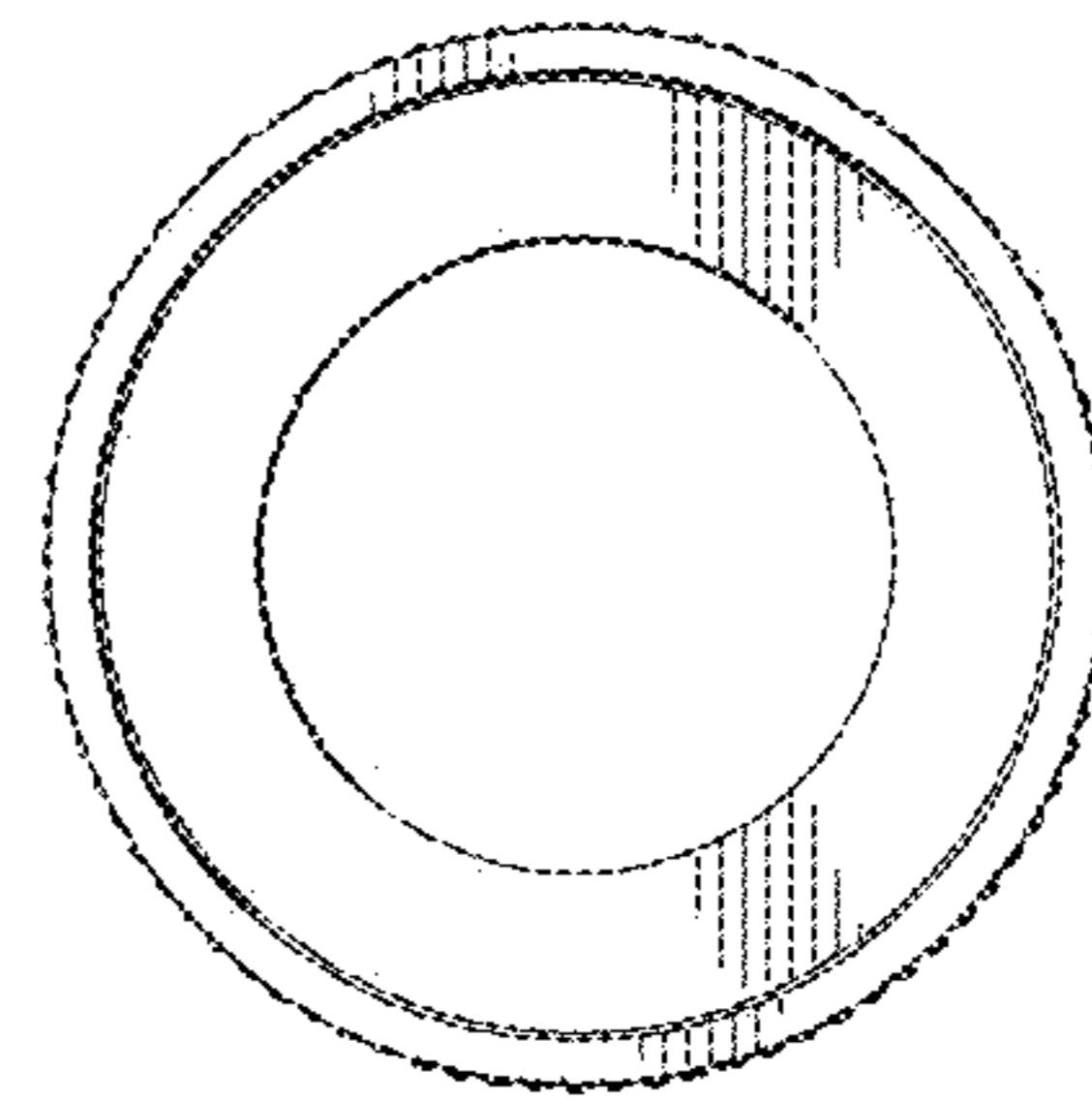


FIG. 9

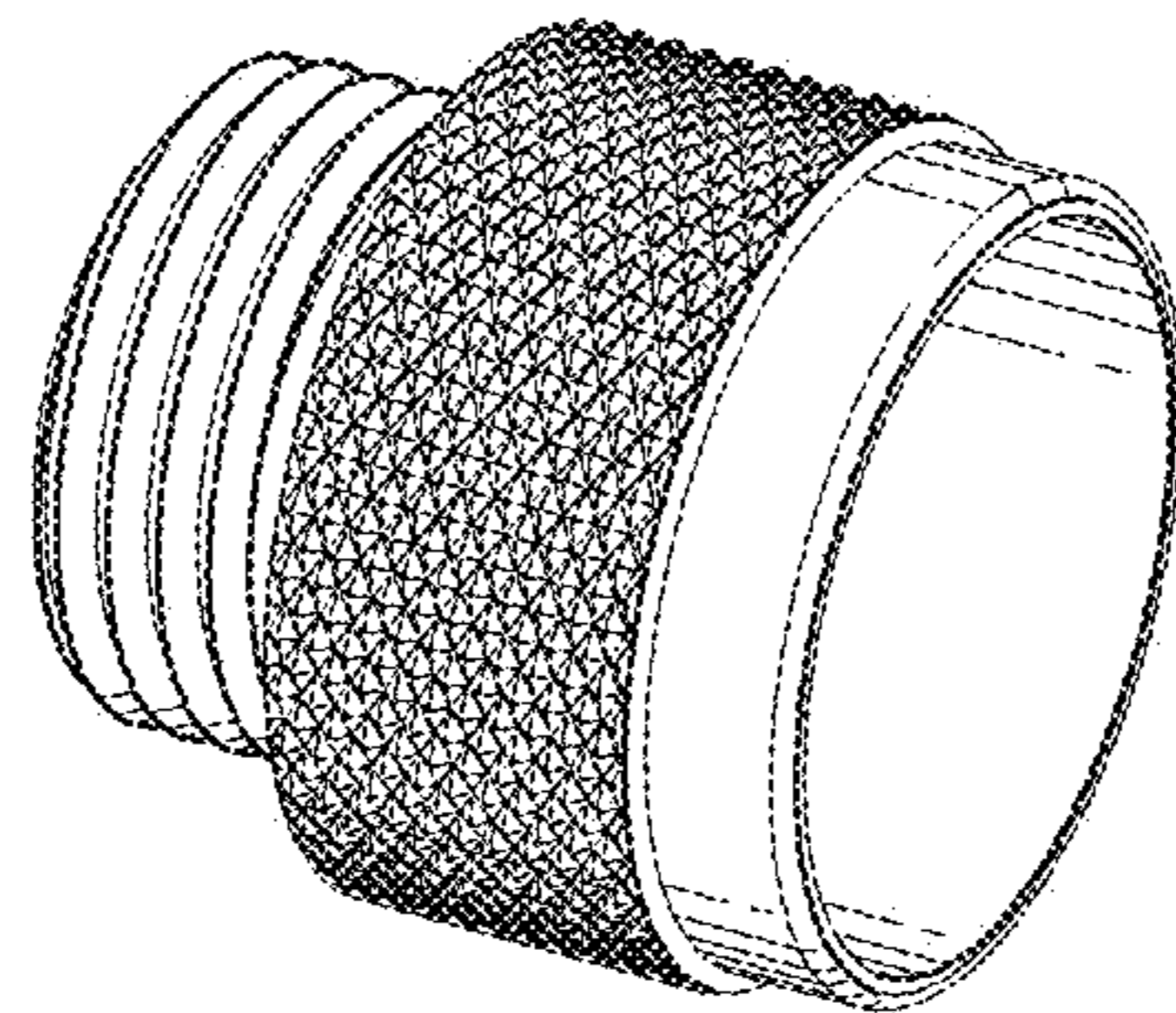


FIG. 10