



US00D937389S

(12) **United States Design Patent** (10) **Patent No.:** **US D937,389 S**
Williams et al. (45) **Date of Patent:** **** Nov. 30, 2021**

(54) **FAUCET**

(71) Applicant: **AS America, Inc.**, Piscataway, NJ (US)

(72) Inventors: **Emilie Williams**, New York, NY (US);
Jian Zhang, Guangzhou (CN)

(73) Assignee: **AS America, Inc.**, Piscataway, NJ (US)

(**) Term: **15 Years**

(21) Appl. No.: **29/725,619**

(22) Filed: **Feb. 26, 2020**

(30) **Foreign Application Priority Data**

Aug. 28, 2019 (CN) 201930470038.9

(51) **LOC (13) Cl.** **23-01**

(52) **U.S. Cl.**
USPC **D23/238**

(58) **Field of Classification Search**
USPC D23/238-244, 252, 254-255, 257;
D8/307-308
CPC F16K 31/602; F16K 31/605; F16K 31/607;
E03C 1/0412
See application file for complete search history.

(56) **References Cited**

U.S. PATENT DOCUMENTS

D461,540 S *	8/2002	Gottwald	D23/243
D479,579 S *	9/2003	Haug	D23/238
7,488,419 B1 *	2/2009	Wang	E03C 1/046 210/198.1
D825,031 S *	8/2018	Haug	D23/238
10,260,215 B2 *	4/2019	Chen	E03C 1/0404
D860,398 S *	9/2019	Chen	D23/238
D913,433 S *	3/2021	Ao	D23/238
D914,846 S *	3/2021	Zhang	D23/238
D914,847 S *	3/2021	Zhang	D23/238
2013/0186489 A1 *	7/2013	Hsu	F16K 27/044 137/603
2017/0101765 A1 *	4/2017	Song	E03C 1/0403

2017/0219115 A1 *	8/2017	Hong	E03C 1/057
2018/0127959 A1 *	5/2018	Yuan	B05B 1/1618
2018/0163382 A1 *	6/2018	Yuan	E03C 1/122
2018/0179742 A1 *	6/2018	Yuan	E03C 1/0405

(Continued)

FOREIGN PATENT DOCUMENTS

CN	302883008	*	12/2013
CN	304909331	*	10/2018

OTHER PUBLICATIONS

American Standard 4803300.002 Studio S Pull-Down Kitchen Faucet, first available Sep. 1, 2019[online], [site visited Apr. 7, 2021]. Available from internet, URL:<<https://www.amazon.com/American-Standard-4803300-002-Pull-Down-Polished/dp/B07WZPQS2B>> (Year: 2019).*

(Continued)

Primary Examiner — Barbara Fox

Assistant Examiner — Jamaal Rasheed

(74) *Attorney, Agent, or Firm* — Tyler A. Stevenson;
Anna-lisa L. Gallo

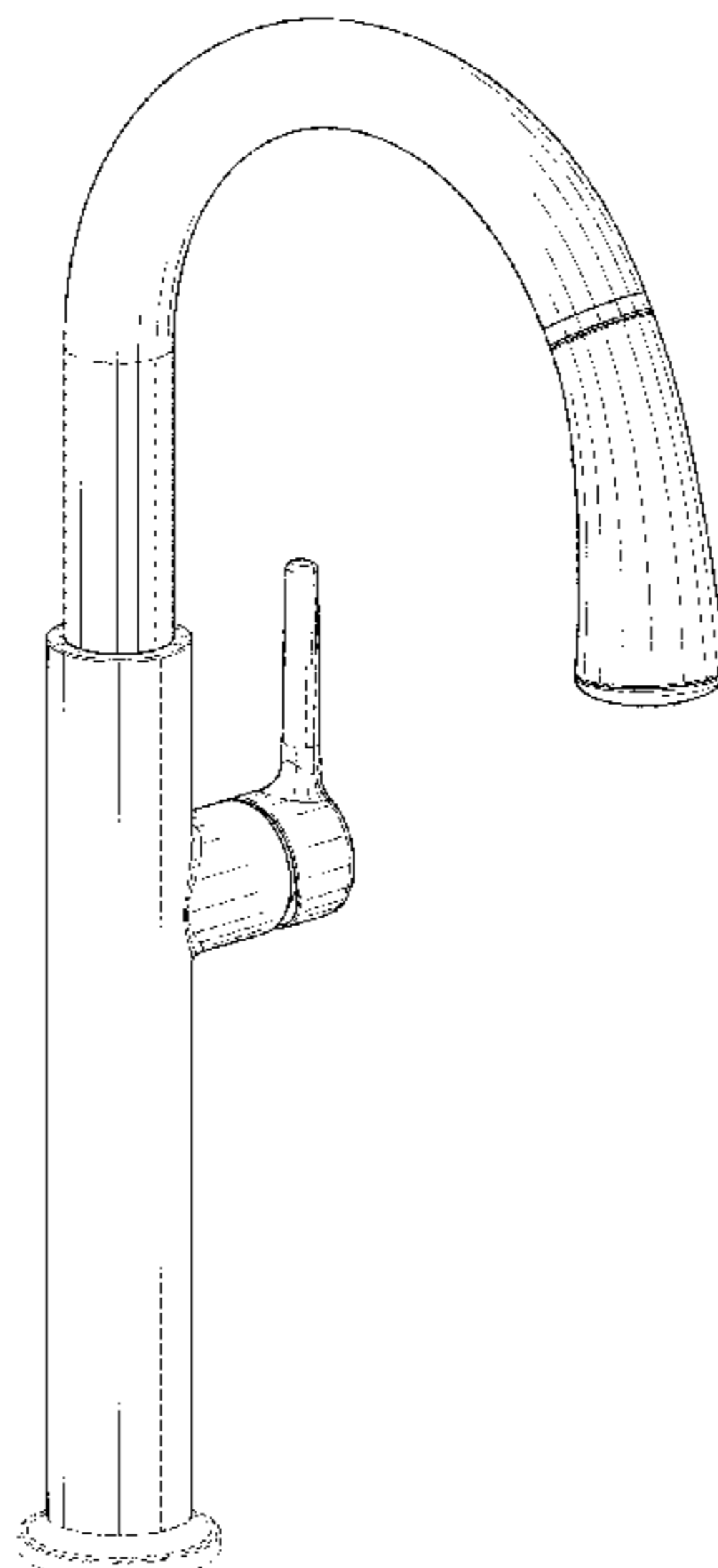
(57) **CLAIM**

We claim the ornamental design for a faucet, shown and described.

DESCRIPTION

FIG. 1 is a top, front, left side perspective view of a faucet showing our new design;
FIG. 2 is a front view thereof;
FIG. 3 is a rear view thereof;
FIG. 4 is a left side view thereof;
FIG. 5 is a right side view thereof;
FIG. 6 is a top view thereof; and,
FIG. 7 is a bottom view thereof.
The broken lines shown in the figures depict portions of the faucet that form no part of the claimed design.

1 Claim, 5 Drawing Sheets



(56)

References Cited

U.S. PATENT DOCUMENTS

2019/0055719 A1* 2/2019 Chen E03C 1/0404
2021/0024386 A1* 1/2021 Yang B01F 3/0446

OTHER PUBLICATIONS

FORIOUS Kitchen Faucet with Pull Down Sprayer Brushed Nickel, first available Sep. 20, 2019[online], [site visited Apr. 7, 2021]. Available from internet, URL:<<https://www.amazon.com/Stainless-Kitchen-Sprayer-Commercial-FORIOUS/dp/B07Y4Y88Y6>> (Year: 2019).*

American Standard 4803410.002 Studio S Pull-Down Bar Faucet, first available Sep. 1, 2019[online], [site visited Apr. 7, 2021]. Available from internet, URL:<<https://www.amazon.com/American-Standard-4803410-002-Pull-Down-Polished/dp/B07X51RMQ5>> (Year: 2019).*

Delta Faucet 9159-CZ-DST Standard Pull-Down, first available Sep. 25, 2009[online], [site visited Apr. 5, 2021]. Available from internet, URL:<<https://www.amazon.com/Trinsic-Single-Handle-Magnetic-Champagne-9159-CZ-DST/dp/B0050EN8E6>> (Year: 2009).*

* cited by examiner

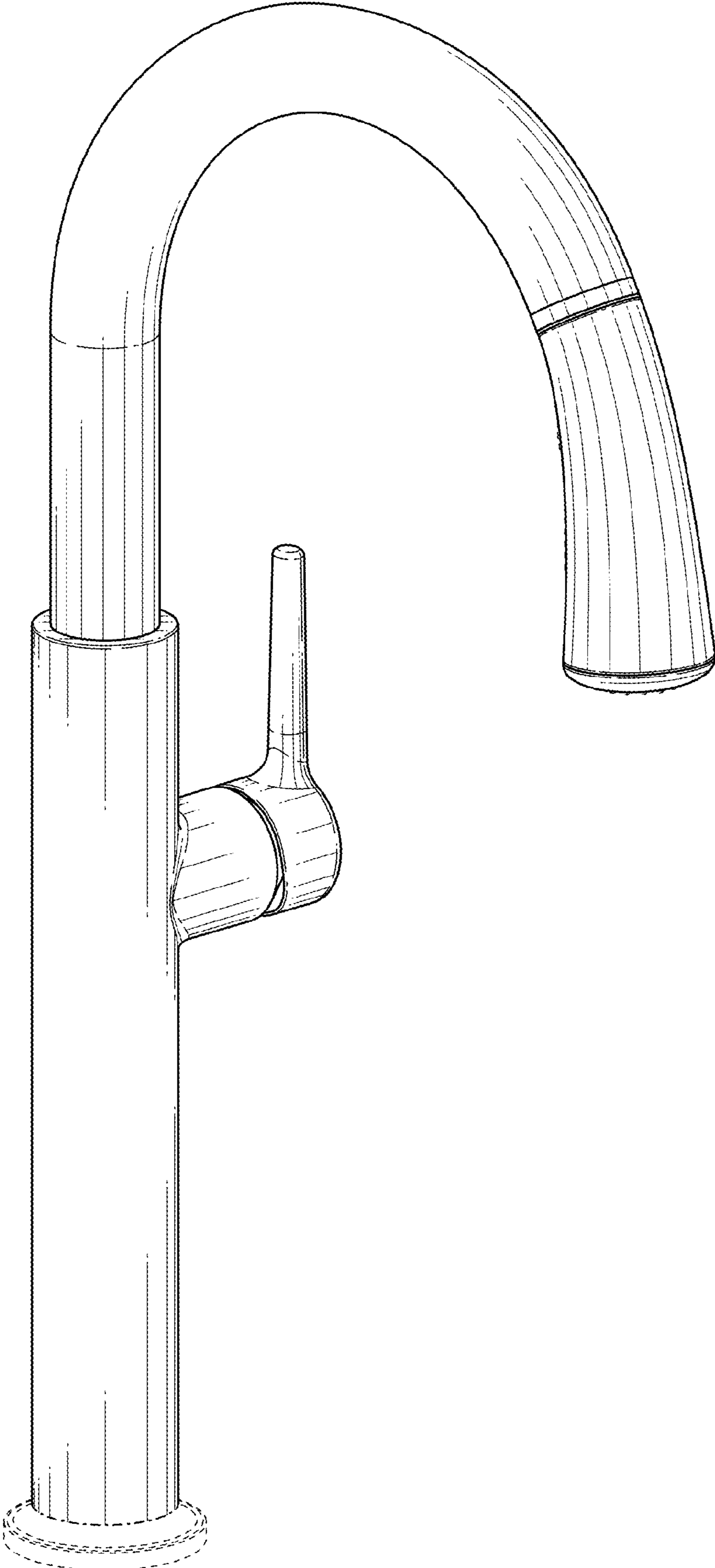


FIG. 1

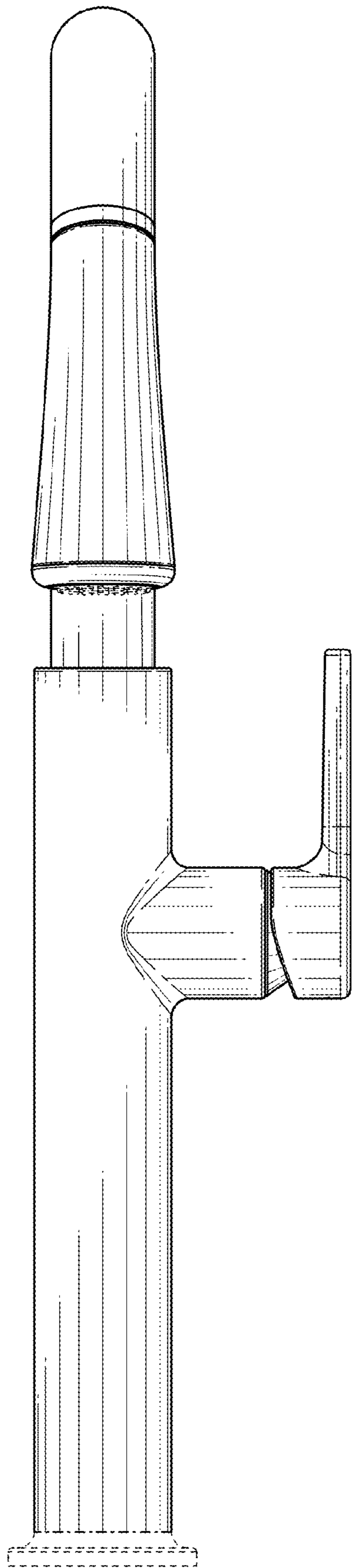


FIG. 2

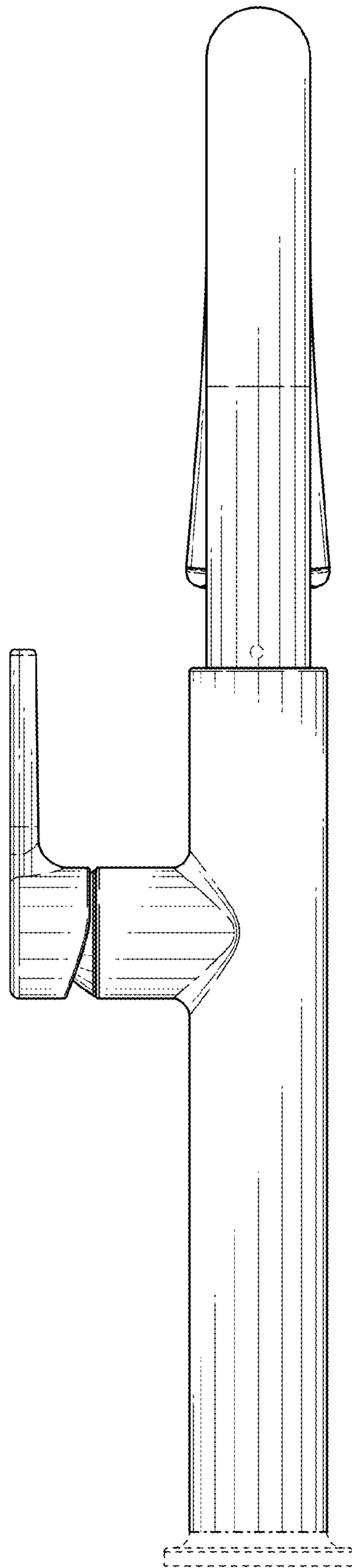


FIG. 3

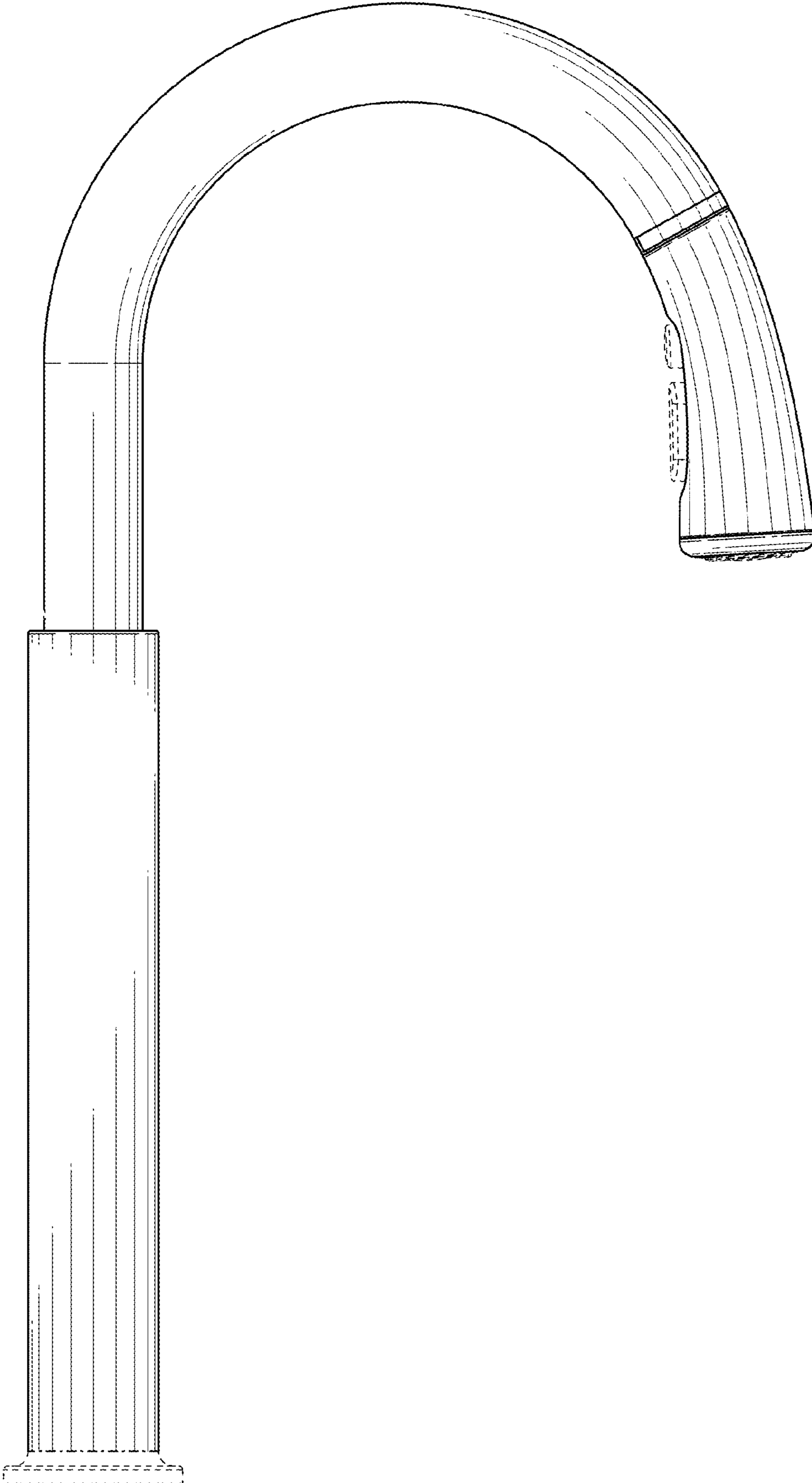


FIG. 4

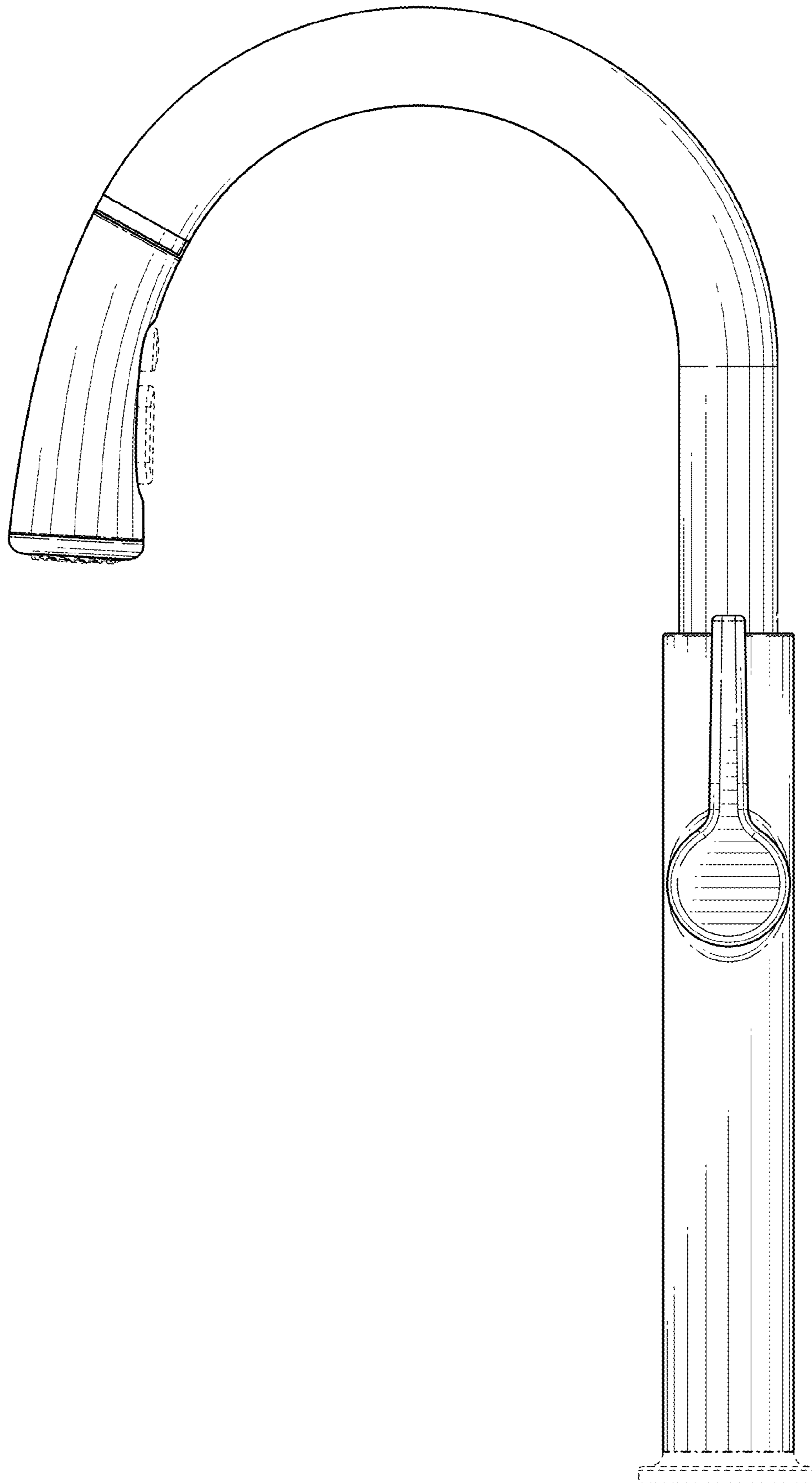


FIG. 5

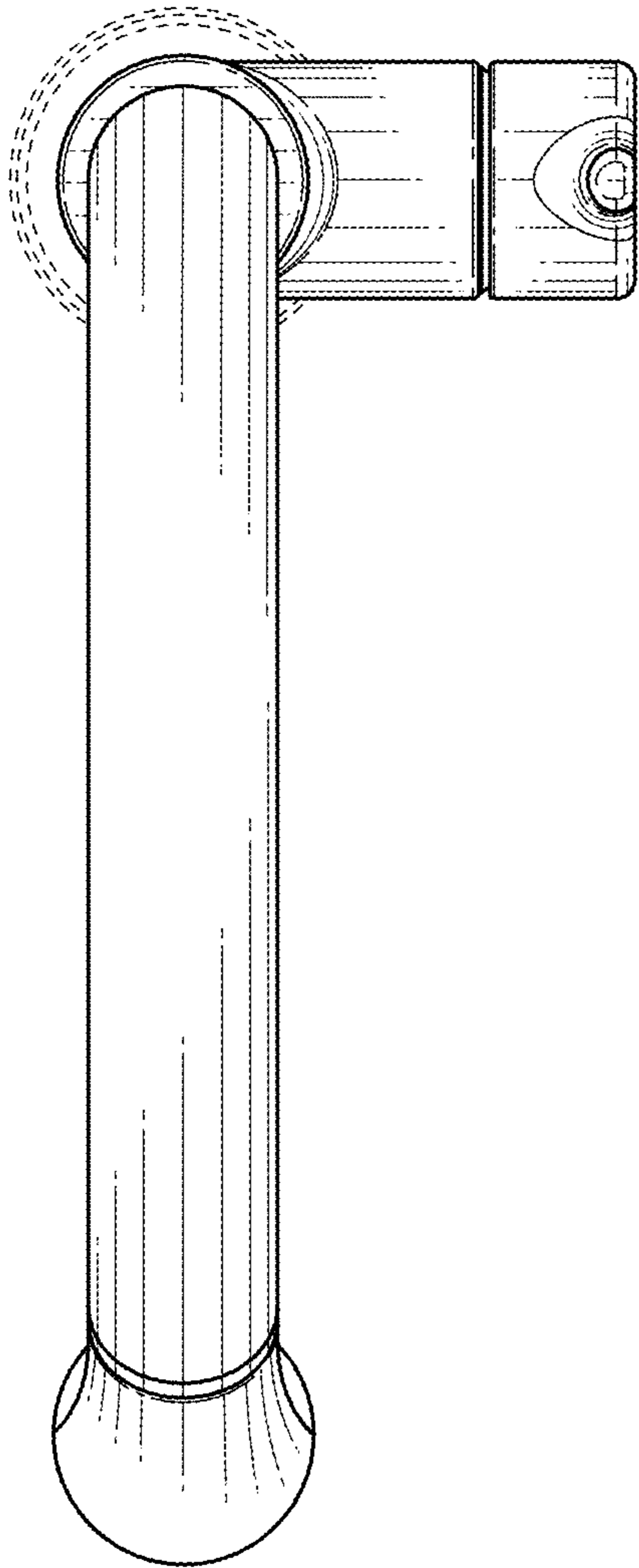


FIG. 6

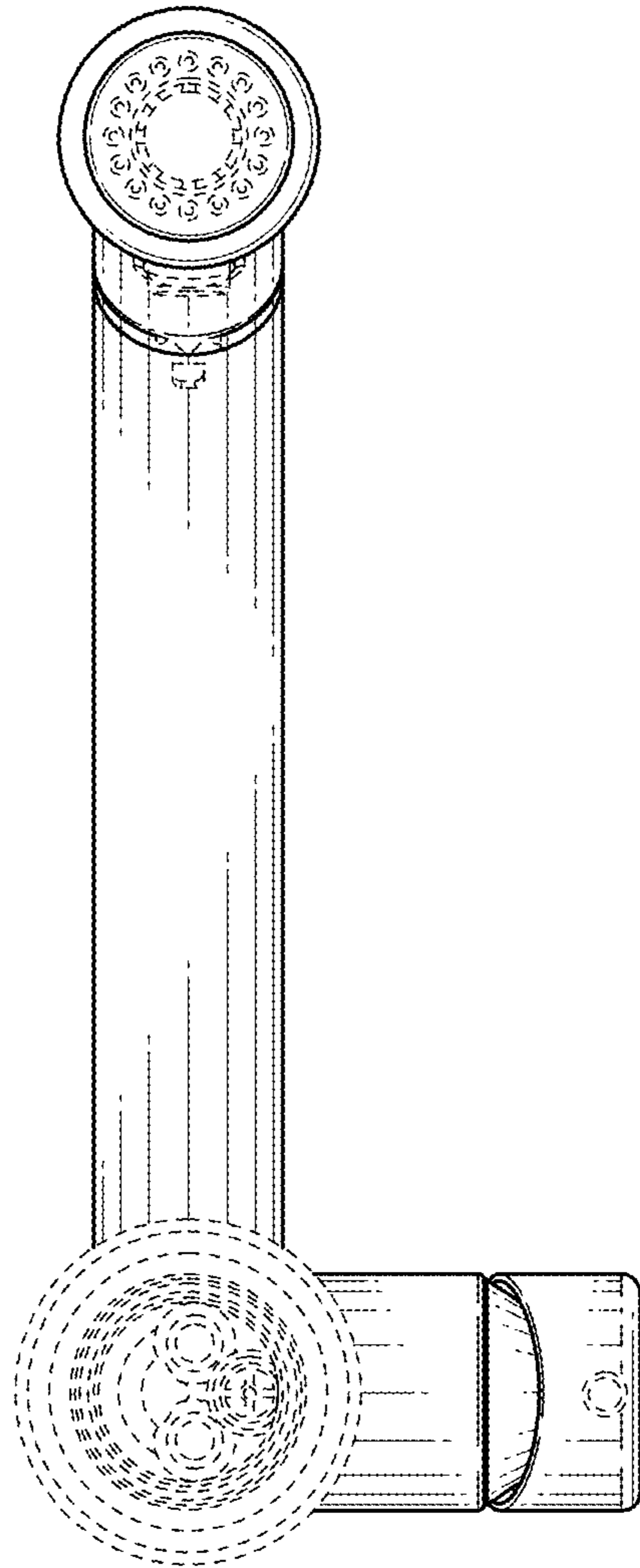


FIG. 7