



US00D937387S

(12) **United States Design Patent** (10) **Patent No.:** **US D937,387 S**  
**Mulgrew** (45) **Date of Patent:** **\*\* Nov. 30, 2021**

(54) **COMPACT SPRAY GUN**  
(71) Applicant: **Graco Minnesota Inc.**, Minneapolis, MN (US)  
(72) Inventor: **Brian M. Mulgrew**, St. Francis, MN (US)  
(73) Assignee: **Graco Minnesota Inc.**, Minneapolis, MN (US)

D405,503 S 2/1999 Endo  
D412,965 S 8/1999 Kieffer  
D449,670 S 10/2001 Carpenter et al.  
D457,599 S 5/2002 Karwoski et al.  
D503,215 S \* 3/2005 Stevens ..... D23/225  
D545,943 S 7/2007 Rodgers et al.  
D575,374 S 8/2008 Huang  
D578,603 S 10/2008 Khaitov  
(Continued)

(\*\*) Term: **15 Years**  
(21) Appl. No.: **29/719,130**

CN 303517520 S 12/2015  
CN 303875730 S 10/2016  
(Continued)

(22) Filed: **Dec. 31, 2019**  
(51) **LOC (13) Cl.** ..... **23-01**  
(52) **U.S. Cl.**  
USPC ..... **D23/226**  
(58) **Field of Classification Search**  
USPC ..... D23/207, 213, 223, 225, 226, 356, 360;  
D15/9  
CPC .. B05B 5/025; B05B 5/03; B05B 5/16; B05B  
5/1691; B05B 7/0018; B05B 7/0093;  
B05B 7/02; B05B 7/06; B05B 7/062;  
B05B 7/064; B05B 7/12; B05B 7/129;  
B05B 7/24; B05B 7/2475; B05B 7/2478;  
B05B 15/60; B05B 15/63; B05B 9/01  
See application file for complete search history.

**FOREIGN PATENT DOCUMENTS**

**OTHER PUBLICATIONS**

Graco 19Y350, Jun. 10, 2020, Amazon, site visited Sep. 10, 2021:  
<https://www.amazon.ca/dp/B089ZRKY5D/> (Year: 2020).\*  
(Continued)

*Primary Examiner* — Jack Reickel  
*Assistant Examiner* — Bobby W Jones, II  
(74) *Attorney, Agent, or Firm* — Kinney & Lange, P.A.

(57) **CLAIM**

The ornamental design for a compact spray gun, as shown and described.

(56) **References Cited**

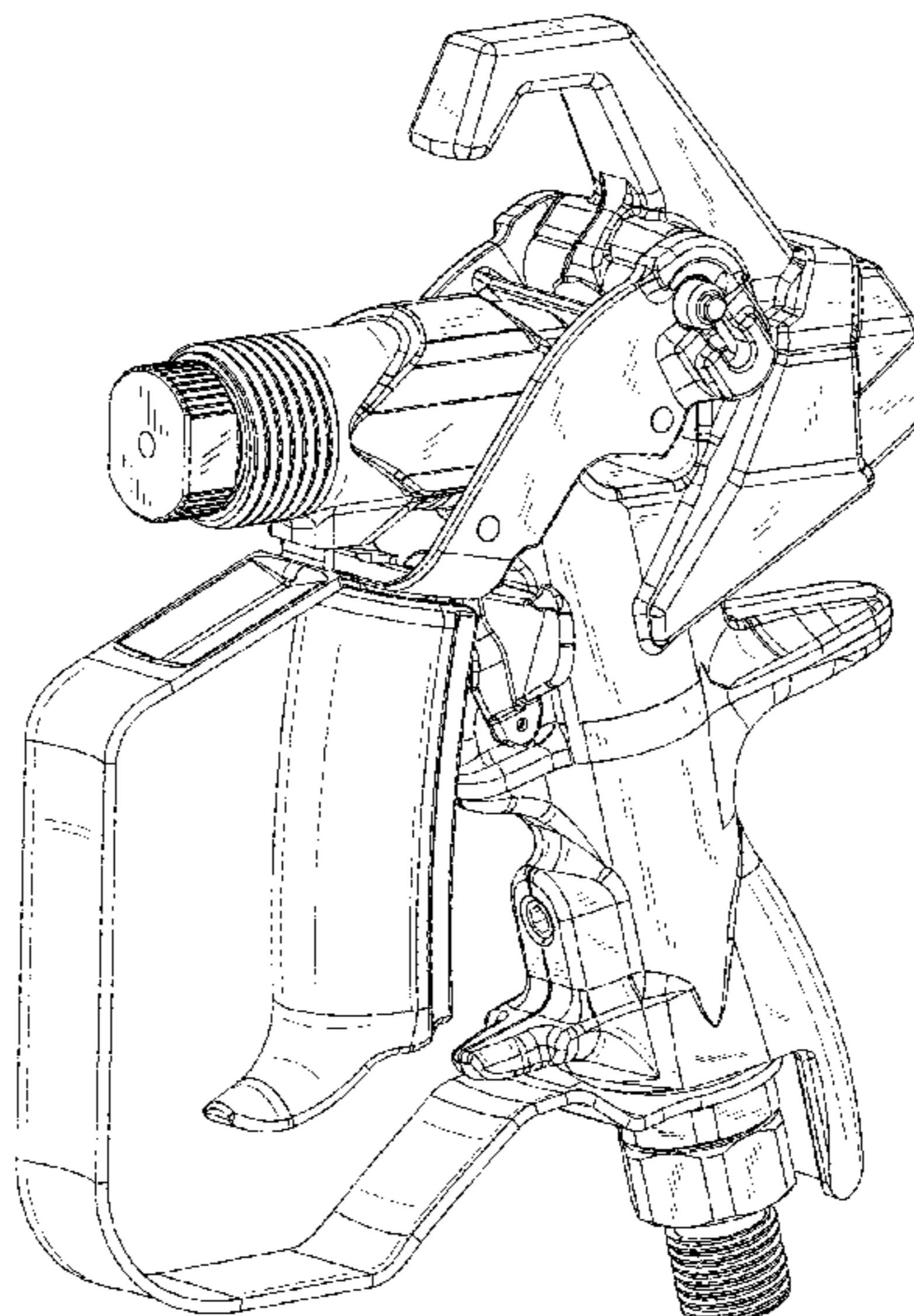
**U.S. PATENT DOCUMENTS**

D305,452 S \* 1/1990 Morgan ..... D23/225  
D313,064 S \* 12/1990 Lind ..... D23/226  
4,986,471 A \* 1/1991 Hethcoat ..... B05B 5/025  
239/3  
D356,855 S 3/1995 Gebauer et al.  
D376,637 S 12/1996 Kieffer et al.  
D387,414 S \* 12/1997 Kieffer ..... D23/223  
5,769,321 A \* 6/1998 Cyphers ..... F04B 9/045  
239/154  
D405,159 S 2/1999 Kieffer

**DESCRIPTION**

FIG. 1 is a perspective view of a compact spray gun;  
FIG. 2 is a front elevational view of the compact spray gun;  
FIG. 3 is a rear elevational view of the compact spray gun;  
FIG. 4 is a left side view of the compact spray gun;  
FIG. 5 is a right side view of the compact spray gun;  
FIG. 6 is a top plan view of the compact spray gun; and,  
FIG. 7 is a bottom plan view of the compact spray gun.

**1 Claim, 5 Drawing Sheets**



(56)

References Cited

U.S. PATENT DOCUMENTS

D588,231 S 3/2009 Pellin et al.  
 D604,393 S \* 11/2009 Johnson ..... D23/225  
 D607,086 S 12/2009 Kosaka  
 D639,387 S \* 6/2011 Martin ..... D23/225  
 D649,221 S \* 11/2011 Sindera ..... D23/226  
 D672,012 S 12/2012 Brose et al.  
 D692,531 S \* 10/2013 Li ..... D23/226  
 D704,300 S 5/2014 Li et al.  
 D725,743 S 3/2015 Richter et al.  
 D727,466 S 4/2015 Richter et al.  
 D757,216 S 5/2016 Gehrung  
 D758,538 S 6/2016 Tullney et al.  
 9,433,953 B2 9/2016 Ghesla et al.  
 D770,593 S 11/2016 Gehrung et al.  
 D778,405 S 2/2017 Wang  
 D794,755 S 8/2017 Wang  
 D800,868 S 10/2017 Crenshaw  
 D801,477 S \* 10/2017 Mazur ..... D23/226  
 D803,353 S 11/2017 Negri et al.  
 D812,718 S 3/2018 Kosaka  
 D821,545 S \* 6/2018 Gehrung ..... D23/226  
 10,016,773 B2 \* 7/2018 Tullney ..... B05B 7/0815  
 D830,506 S 10/2018 Gehrung et al.  
 D831,792 S 10/2018 Gehrung et al.  
 D835,235 S 12/2018 Gehrung et al.  
 D854,123 S 7/2019 Becker et al.  
 D858,698 S 9/2019 Arino et al.  
 D861,130 S 9/2019 Carls et al.  
 D875,885 S 2/2020 Johnston et al.  
 D877,294 S \* 3/2020 Johnston ..... D23/226  
 2004/0050867 A1 \* 3/2004 Alexander ..... B25G 1/10  
 2008/0296409 A1 \* 12/2008 Micheli ..... B05B 13/00  
 2009/0224083 A1 \* 9/2009 Baltz ..... B05B 5/03  
 2011/0214607 A1 \* 9/2011 Santiago ..... B05B 9/01  
 2011/0253229 A1 \* 10/2011 Mattson ..... B05B 7/2491  
 2012/0273520 A1 \* 11/2012 McMichael ..... B05B 7/1218  
 2015/0017327 A1 1/2015 Myers et al.

2015/0021419 A1 \* 1/2015 Sakurai ..... B05B 5/053  
 2016/0375453 A1 \* 12/2016 Tullney ..... B05B 15/14  
 2017/0231212 A1 8/2017 Crenshaw  
 2019/0029233 A1 1/2019 Lyngoy  
 2019/0076857 A1 \* 3/2019 Fideler ..... B05B 1/3046  
 2019/0299232 A1 \* 10/2019 Johnston ..... B05B 9/01  
 2019/0299233 A1 \* 10/2019 Johnston ..... B05B 9/01  
 2021/0197220 A1 \* 7/2021 Shultz ..... B05B 9/01

FOREIGN PATENT DOCUMENTS

CN 303965875 S 12/2016  
 CN 304872873 S 11/2018  
 CN 304879321 S 11/2018  
 CN 305360366 S 9/2019

OTHER PUBLICATIONS

Graco 17Y043, Jun. 12, 2019, Amazon, site visited Sep. 10, 2021: <https://www.amazon.ca/dp/B07Q492T38/> (Year: 2019).\*

Stainless Steel High Pressure Airless Paint Spray Gun Car, May 17, 2018, Amazon, site visited Sep. 10, 2021: <https://www.amazon.ca/dp/B07D4HFM75/> (Year: 2018).\*

Wagner Control Pro 150 Paint Sprayer, Apr. 30, 2017, Amazon, site visited Sep. 10, 2021: <https://www.amazon.ca/dp/B06XY7D3DD/> (Year: 2017).\*

First Indian Exam Report for IN Application No. 318118-001, Dated Jun. 28, 2019, pp. 2.

First Indian Exam for IN Application No. 318117-001, Dated Jun. 28, 2019, pp. 2.

<https://my.jualomatic.co/harga-3600psi-high-pressure-airless-paint-spray-gun-spray-tip-nozzle-seat-for-paint-latex-sprayer-spraying-machine-price-in-malaysia/> (Year:2019).

First Examination Report for IN Application No. 329347-001, dated Jun. 10, 2020, pp. 2.

ROC (Taiwan) Design Patent Application No. 109302791, Dated Jan. 25, 2021, pp. 5.

First ROC (Taiwan) Design Office Action for TW Application No. 108303169, dated Dec. 11, 2019, pp. 4.

Second ROC (Taiwan) Design Office Action for TW Application No. 108303169, dated Mar. 19, 2020, pp. 6.

\* cited by examiner



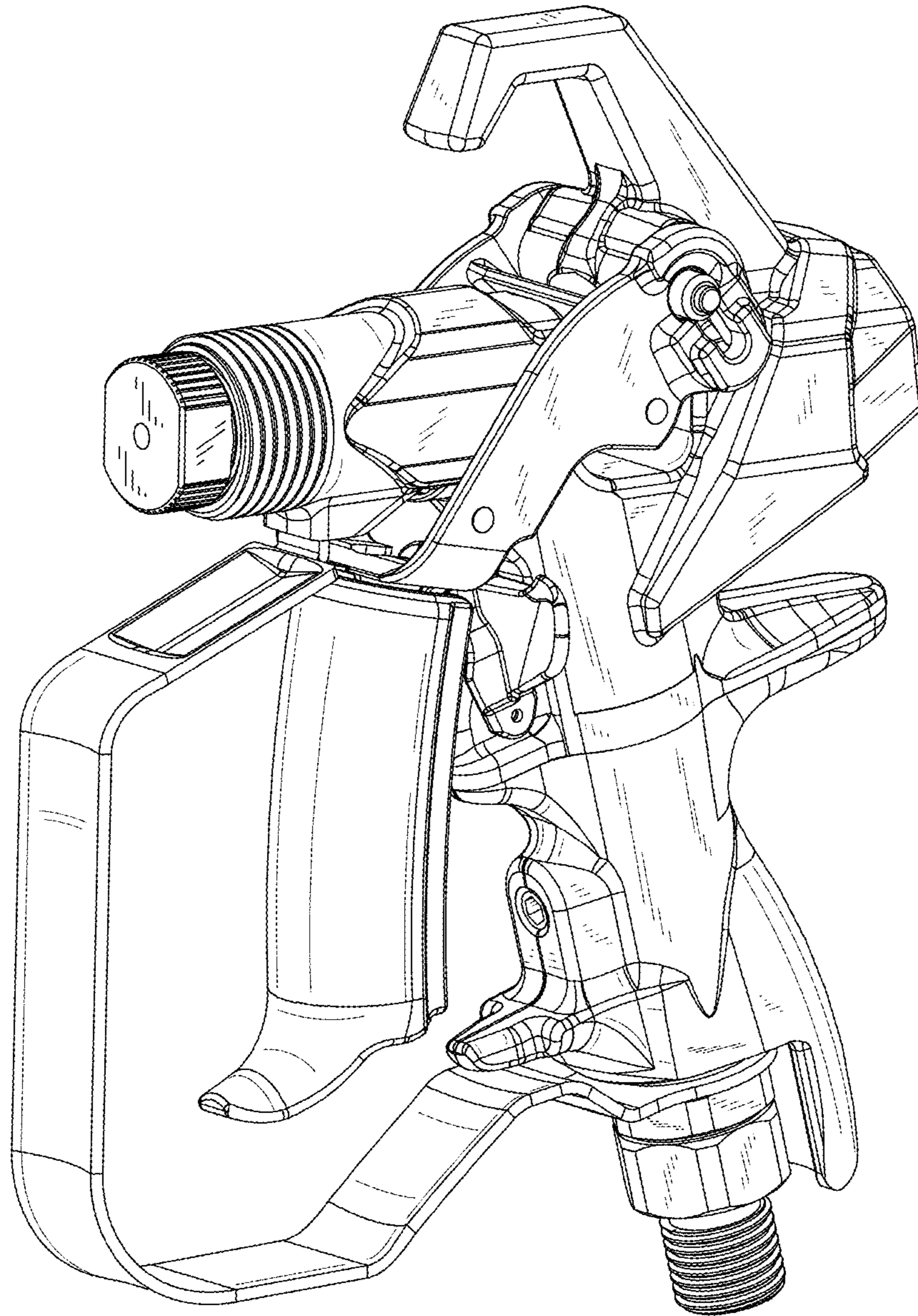


Fig. 1

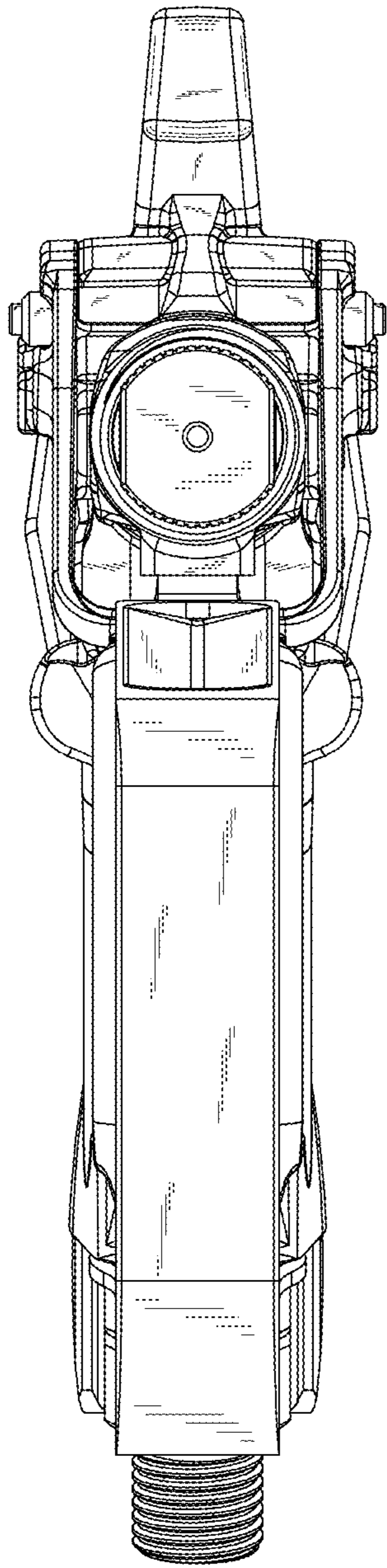


Fig. 2

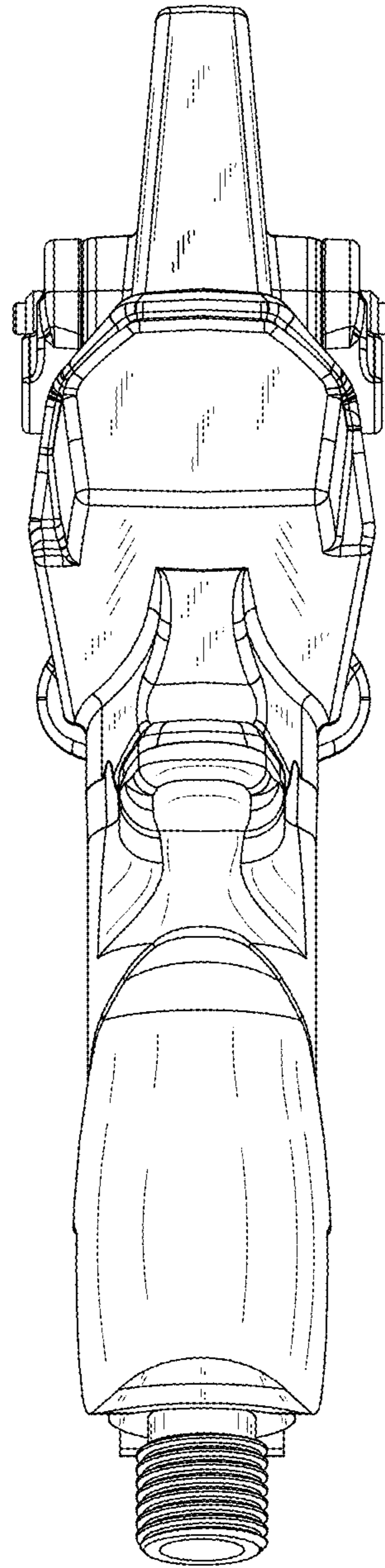


Fig. 3

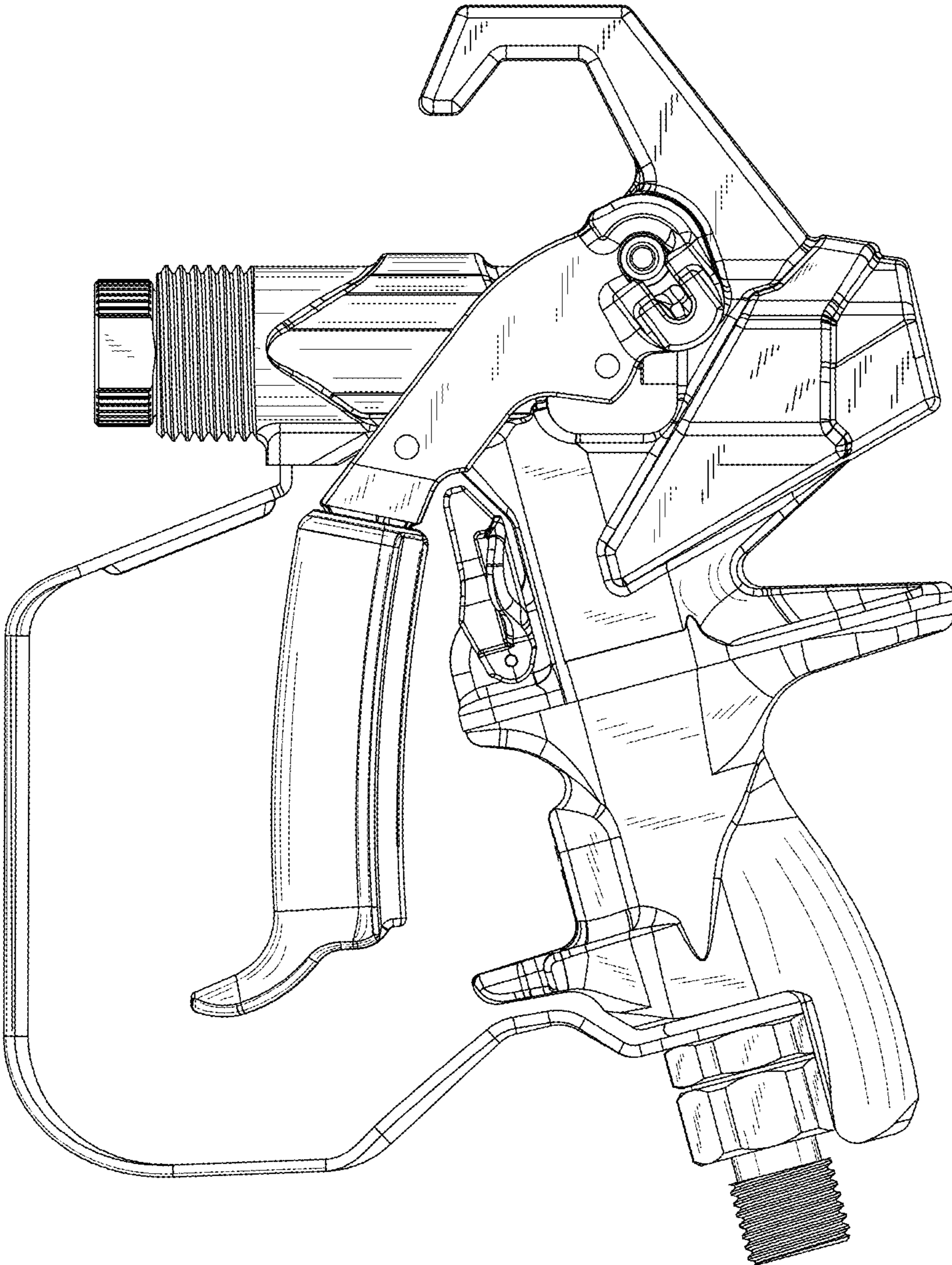


Fig. 4



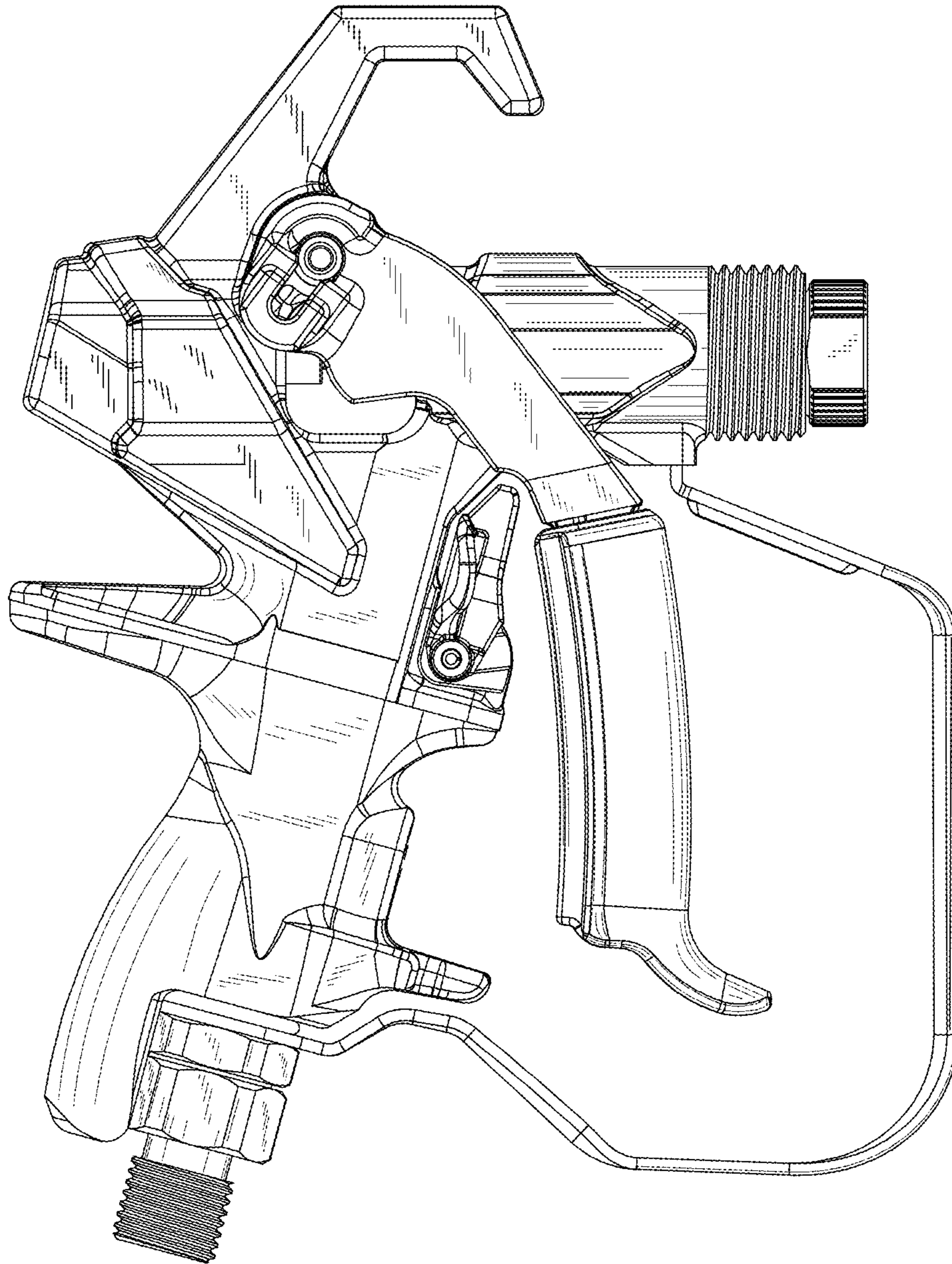


Fig. 5

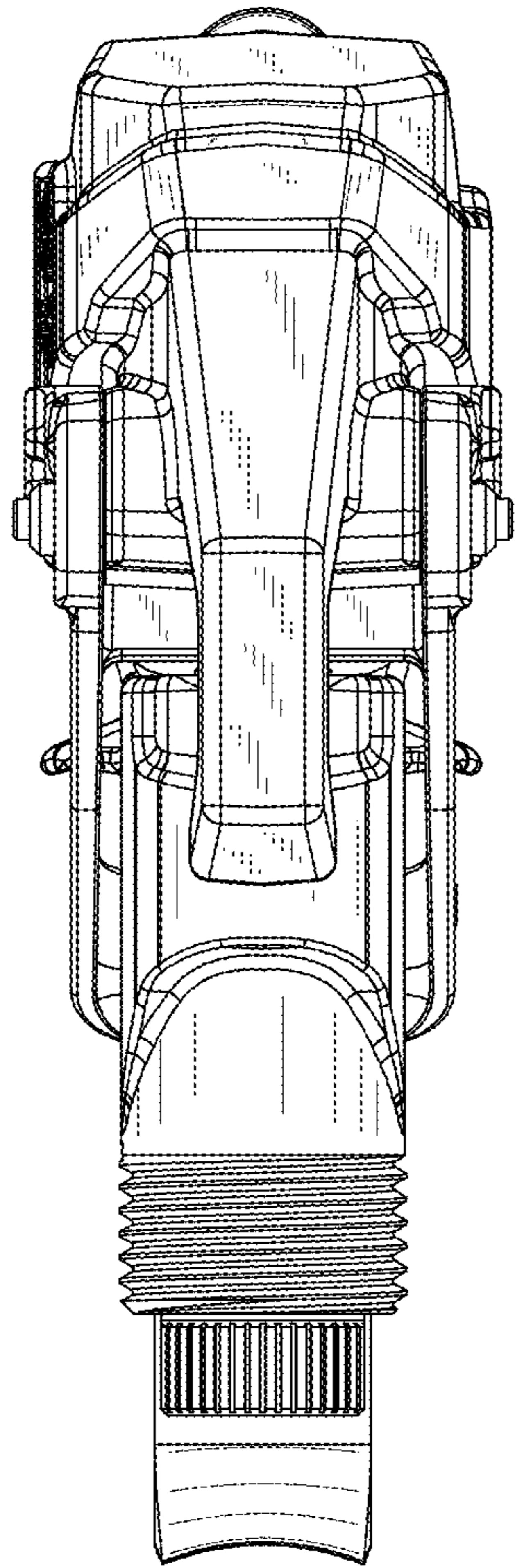


Fig. 6

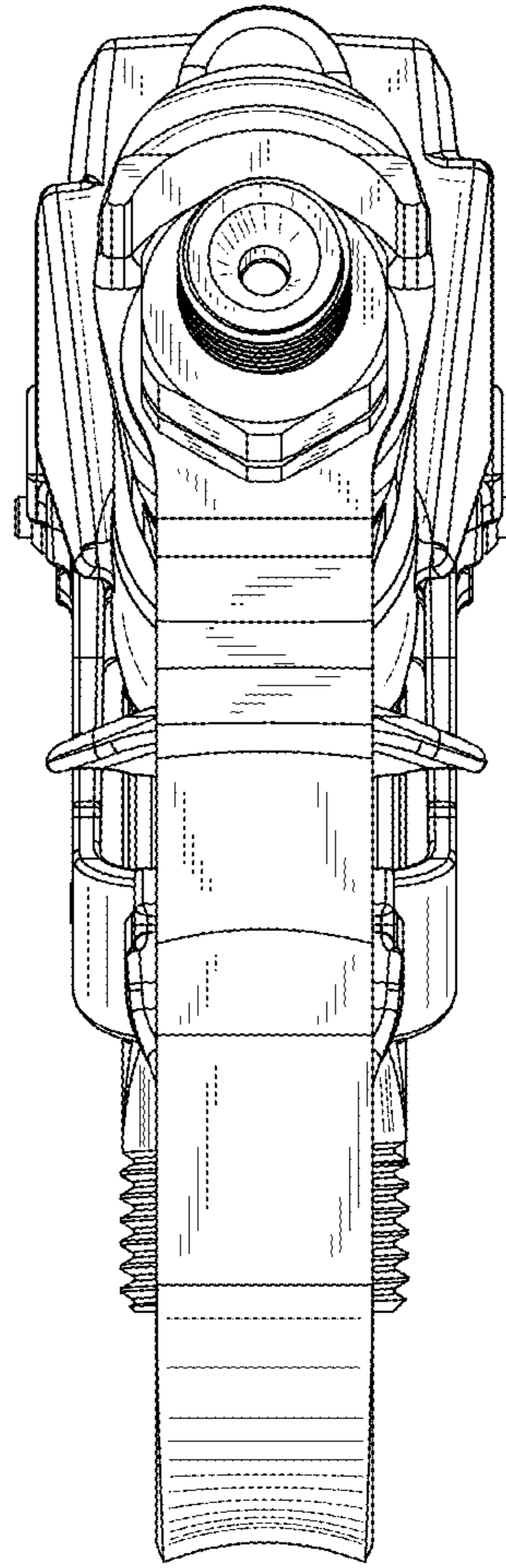


Fig. 7