



US00D937386S

(12) **United States Design Patent**
Thompson

(10) **Patent No.:** **US D937,386 S**

(45) **Date of Patent:** **** Nov. 30, 2021**

(54) **CONTAINER**

(71) Applicant: **Energizer Auto, Inc.**, St. Louis, MO (US)

(72) Inventor: **Cassidy Thompson**, Dayton, OH (US)

(73) Assignee: **ENERGIZER AUTO, INC.**, St. Louis, MO (US)

(**) Term: **15 Years**

(21) Appl. No.: **29/731,969**

(22) Filed: **Apr. 20, 2020**

(51) **LOC (13) Cl.** **23-01**

(52) **U.S. Cl.**
USPC **D23/225**

(58) **Field of Classification Search**
USPC D23/213, 214, 215, 223, 224, 225, 226,
D23/229, 359-361

CPC A61H 9/0021; A61H 33/00; B05B 1/00;
B05B 1/14; B05B 1/185; B05B 1/08;
B05B 1/02; B05B 1/26; B05B 12/002;
B05B 1/18; B05B 9/01

See application file for complete search history.

(56) **References Cited**

U.S. PATENT DOCUMENTS

D237,796 S *	11/1975	Wagner	D23/225
D297,350 S *	8/1988	Kille	D23/225
D317,562 S *	6/1991	Lami	D9/526
D319,291 S *	8/1991	Hanzel	D23/213
6,126,089 A	10/2000	Williamson et al.		
6,367,663 B1	4/2002	Condon et al.		
D467,991 S *	12/2002	Ibele	D23/225
D474,256 S	5/2003	Hubmann et al.		
D480,124 S	9/2003	Hubmann et al.		
D484,571 S *	12/2003	Neal	D23/225
D533,918 S	12/2006	Dodd		
D555,227 S	11/2007	Hubmann et al.		

D559,350 S	1/2008	Huang		
D569,264 S *	5/2008	Yamanaka	D9/691
D569,728 S	5/2008	Floyd et al.		
D581,804 S	12/2008	Lablaine		
D615,614 S *	5/2010	Tullney	D23/225
D630,518 S *	1/2011	Biesecker	D9/558
D630,529 S *	1/2011	Alvares	D9/766
7,959,091 B2	6/2011	Slone et al.		
D652,319 S *	1/2012	Cohen	D9/691
D654,809 S *	2/2012	Rossi	D9/689
D675,713 S	2/2013	Christensen		
D685,646 S *	7/2013	DeMarco	D9/558

(Continued)

OTHER PUBLICATIONS

HomeRight Finish Max Containers & Lid, Jul. 5, 2016, Amazon.com, 3/13/20121 : URL; <https://www.amazon.com/HomeRight-C900058-M-Finish-Container-1-quart/dp/B0110HG710/> (Year: 2016).*

(Continued)

Primary Examiner — Jack Reickel

Assistant Examiner — Keith J Wilson

(74) *Attorney, Agent, or Firm* — Armstrong Teasdale LLP

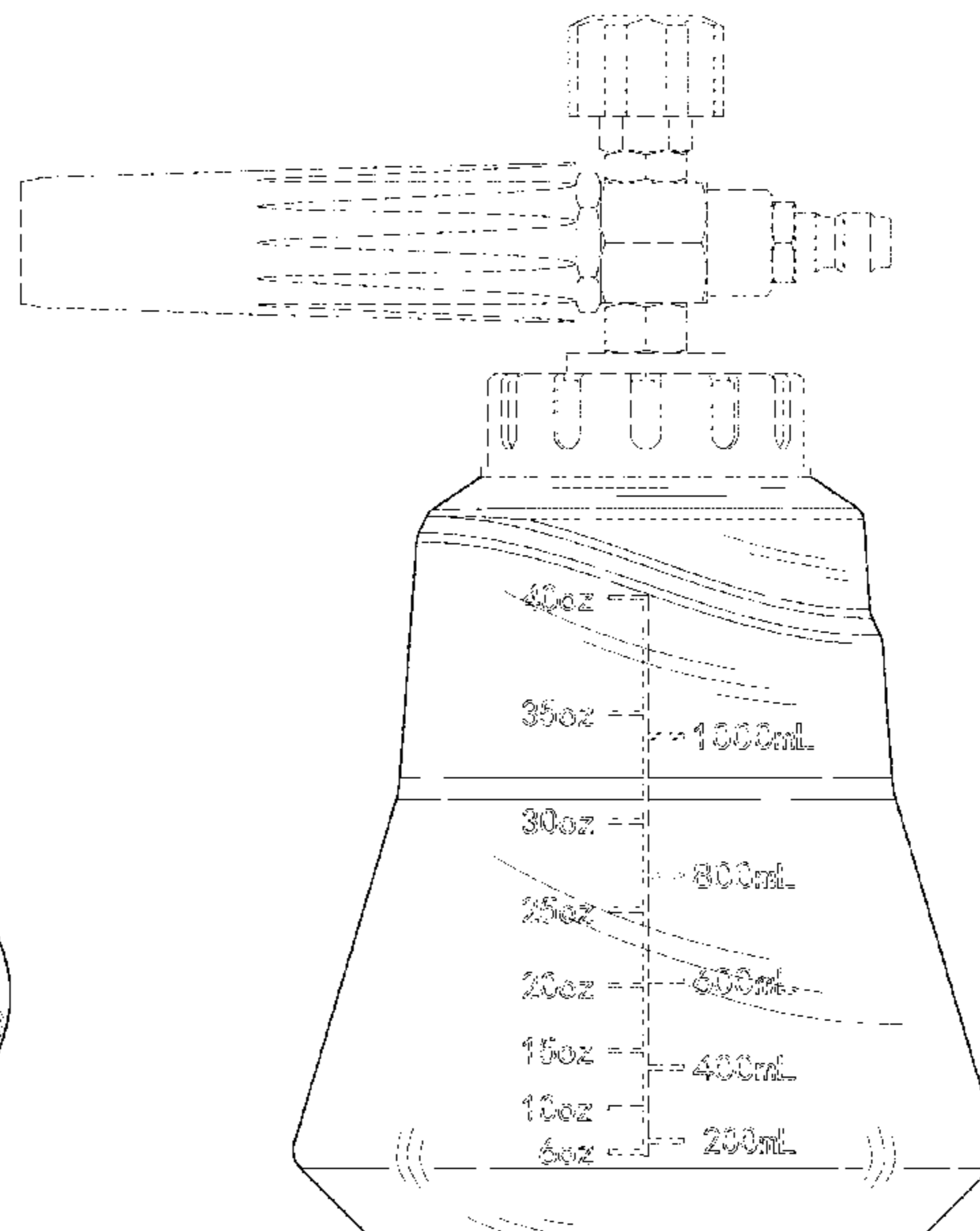
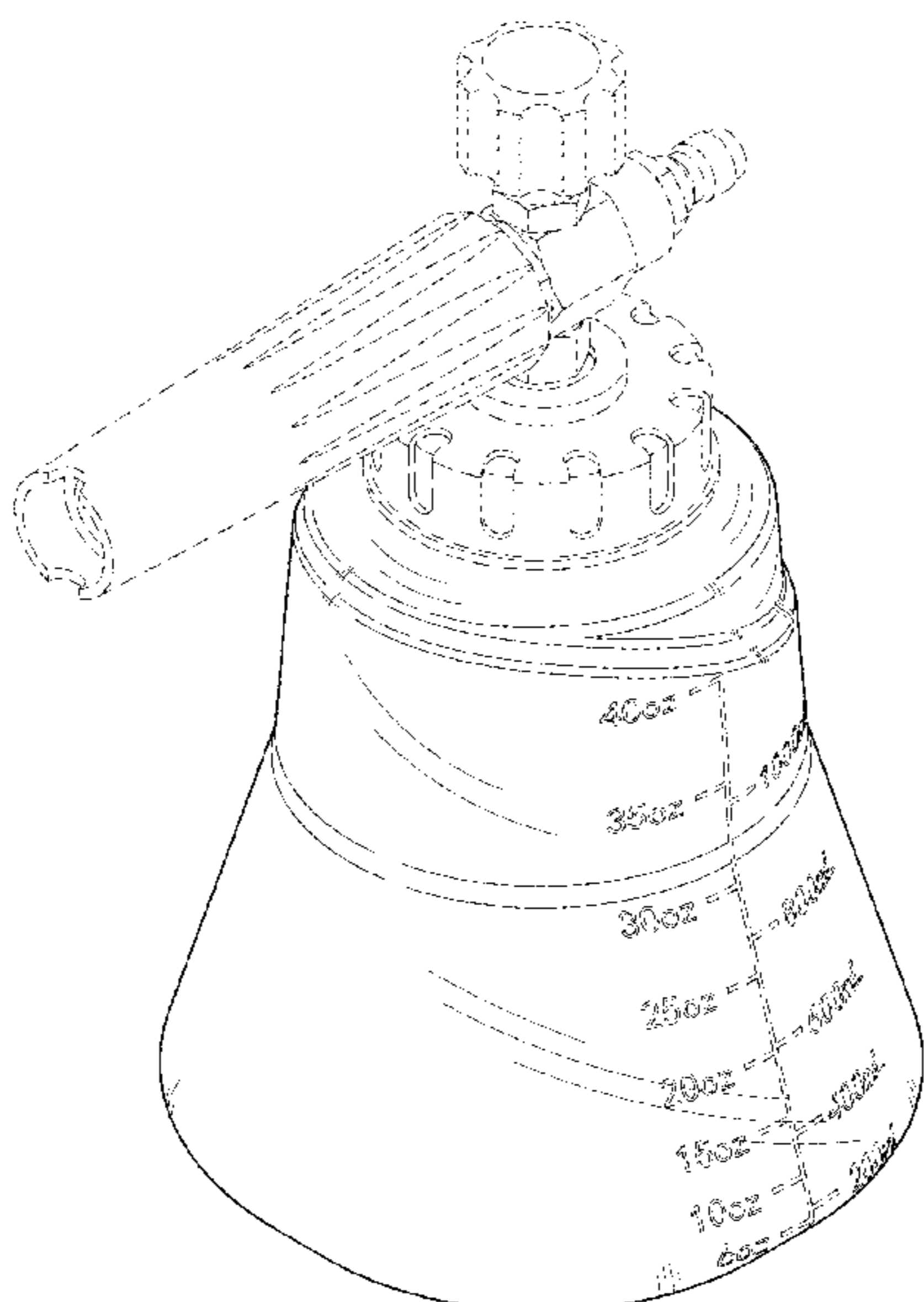
(57) **CLAIM**

The ornamental design for a container, as shown and described.

DESCRIPTION

FIG. 1 is a perspective view of a container of my new design. FIG. 2 is a right side view thereof. FIG. 3 is a left side view thereof. FIG. 4 is a back view thereof. FIG. 5 is a front view thereof. FIG. 6 is a top view thereof; and, FIG. 7 is a bottom view thereof. The broken lines shown represent portions of the container and form no part of the claimed design.

1 Claim, 7 Drawing Sheets



(56)

References Cited

U.S. PATENT DOCUMENTS

D709,988	S	7/2014	Ford	
9,714,010	B2	7/2017	Fazio et al.	
9,919,347	B2	3/2018	Haworth et al.	
D827,774	S *	9/2018	Schneider	D23/225
D845,775	S	4/2019	Ke	
D846,397	S	4/2019	Prater et al.	
D865,526	S	11/2019	Berlepsch	
D865,528	S	11/2019	Barnier et al.	
10,562,049	B2	2/2020	Carpanese	
10,569,290	B1	2/2020	Cochran et al.	
D884,833	S *	5/2020	Bates	D23/225
D887,279	S *	6/2020	Albano	D9/691
D913,803	S *	3/2021	Rohit	D9/690
D918,341	S *	5/2021	Wang	D23/225
D923,748	S *	6/2021	Lo	D23/225

OTHER PUBLICATIONS

Homeright C900097.M Super Finish Max Container, Oct. 25, 2017, Amazon.com, Aug. 4, 2021.URL: <https://www.amazon.com/Homeright-C900097-M-Super-Finish-Container/dp/B076STQHD8> (Year: 2017).*

Glass Erlenmeyer Flask Set—3 Sizes—50, 150 and 250ml., Aug. 9, 2012, Amazon.com, Aug. 4, 2021.URL: <https://www.amazon.com/Glass-Erlenmeyer-Flask-Set-Scientific/dp/B008VIHFSI> (Year: 2012).*

ULAB Scientific Conical Polypropylene Erlenmeyer Flask 17oz 500ml Narrow Neck, Apr. 12, 2019, Amazon.com Aug. 4, 2021. URL: <https://www.amazon.com/ULAB-Scientific-Polypropylene-Erlenmeyer-Graduations/dp/B07QL841TT> (Year: 2019).*

100mL 250mL Lab Wash Bottle Liquid Water Squeeze Bottle, Mar. 13, 2019, Amazon.com, Aug. 4, 2021.URL: <https://www.amazon.com/Squeeze-Graduated-Conical-Container-Straight/dp/B07PMC7CZS> (Year: 2019).*

* cited by examiner

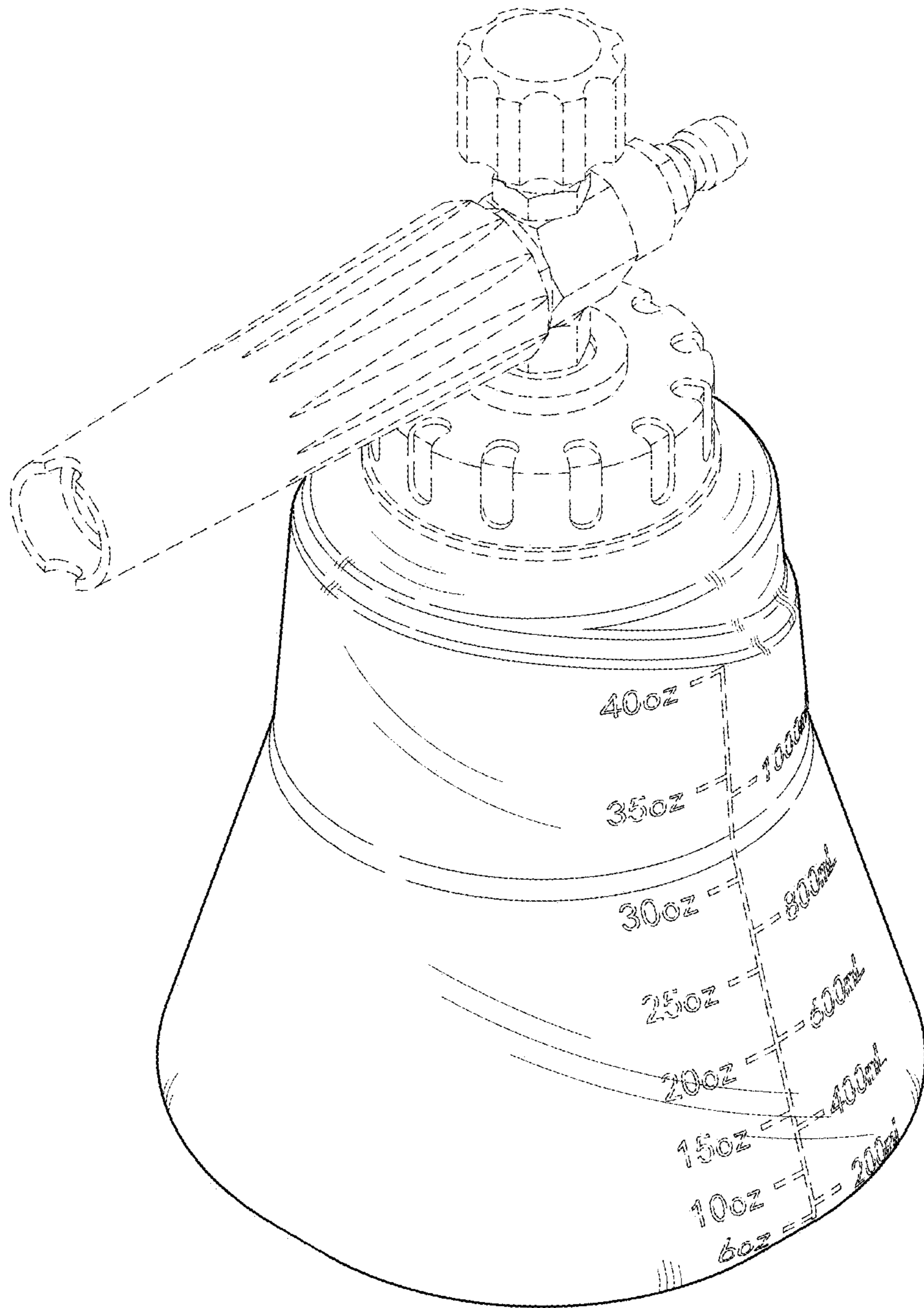


FIG. 1

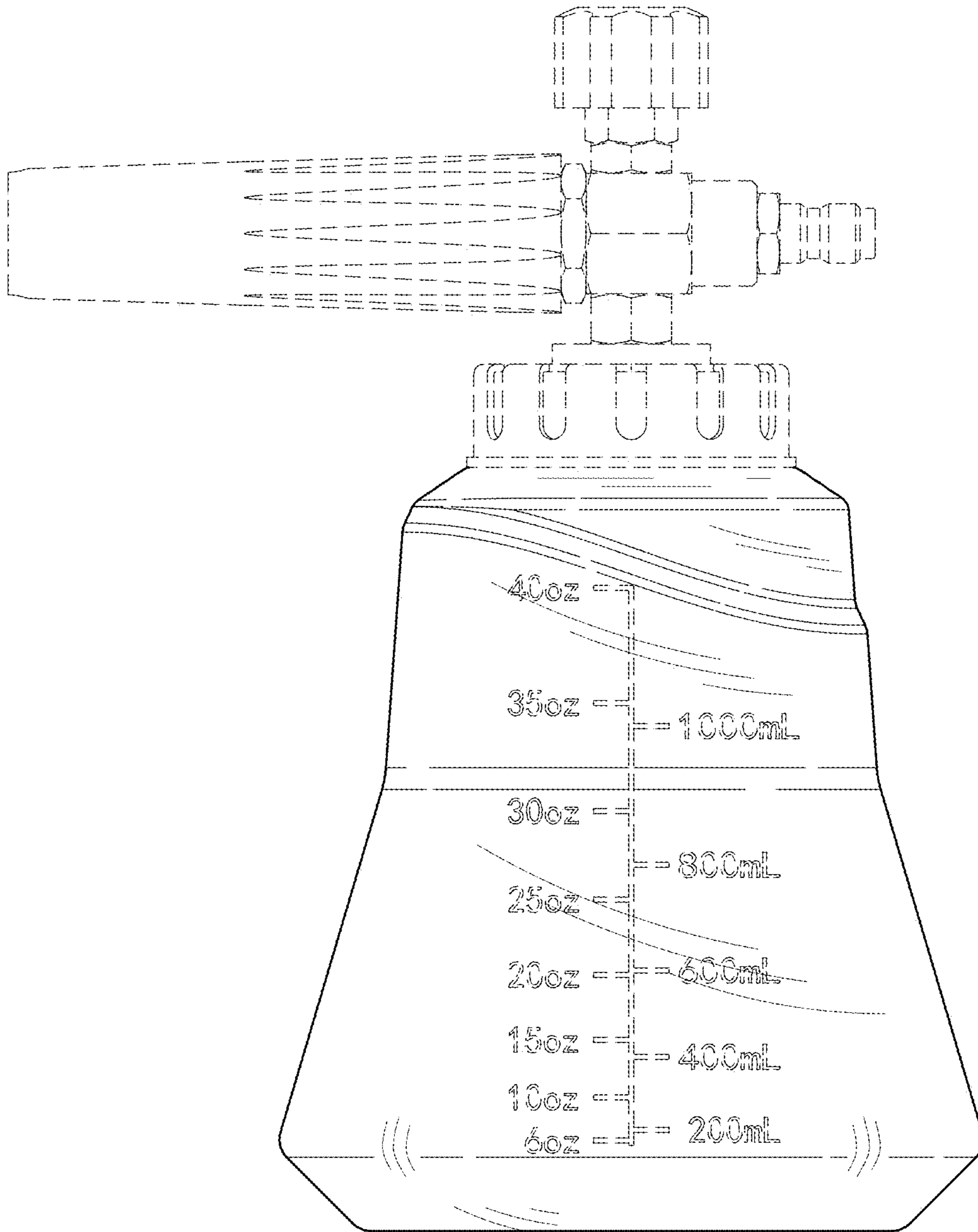


FIG. 2

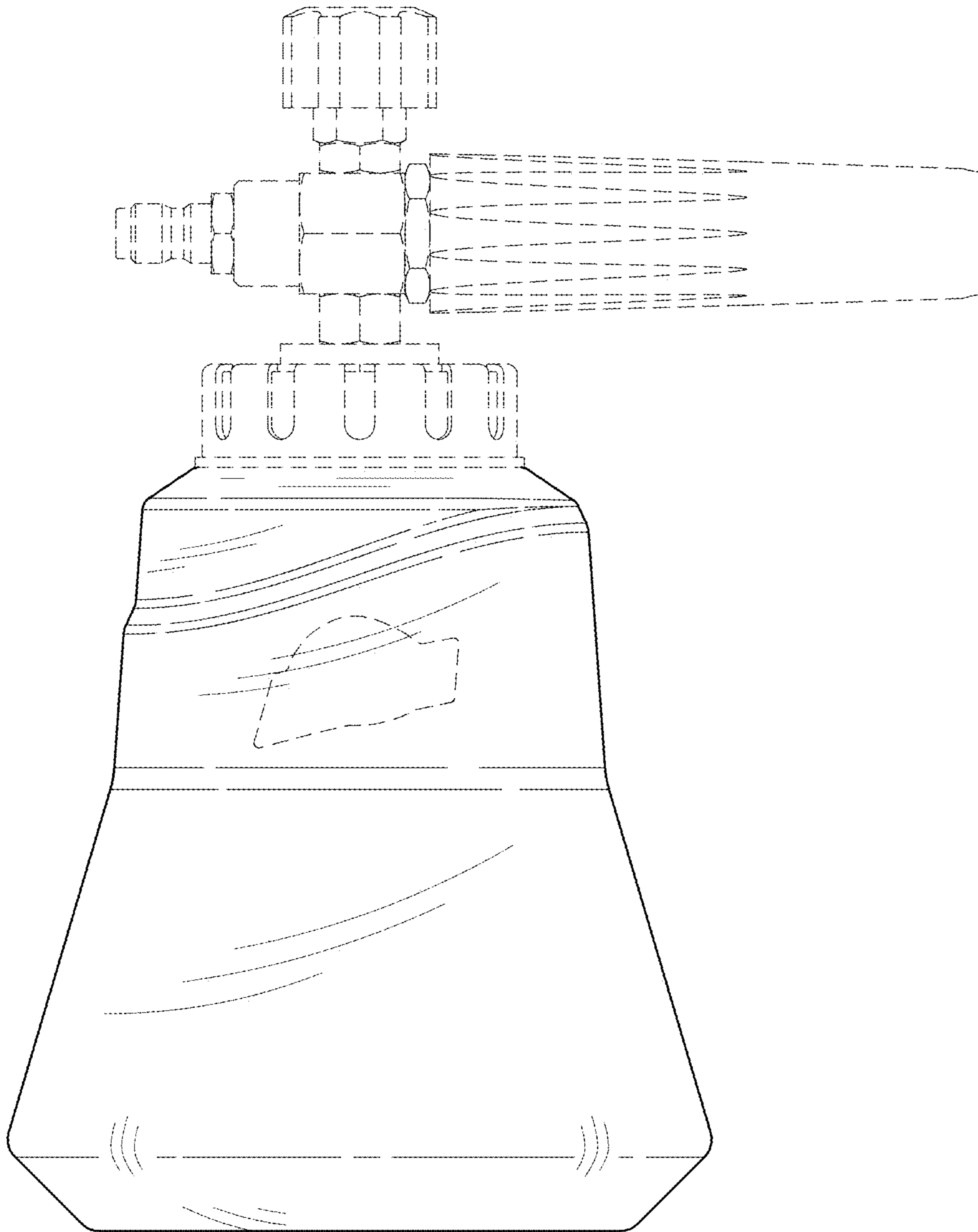


FIG. 3

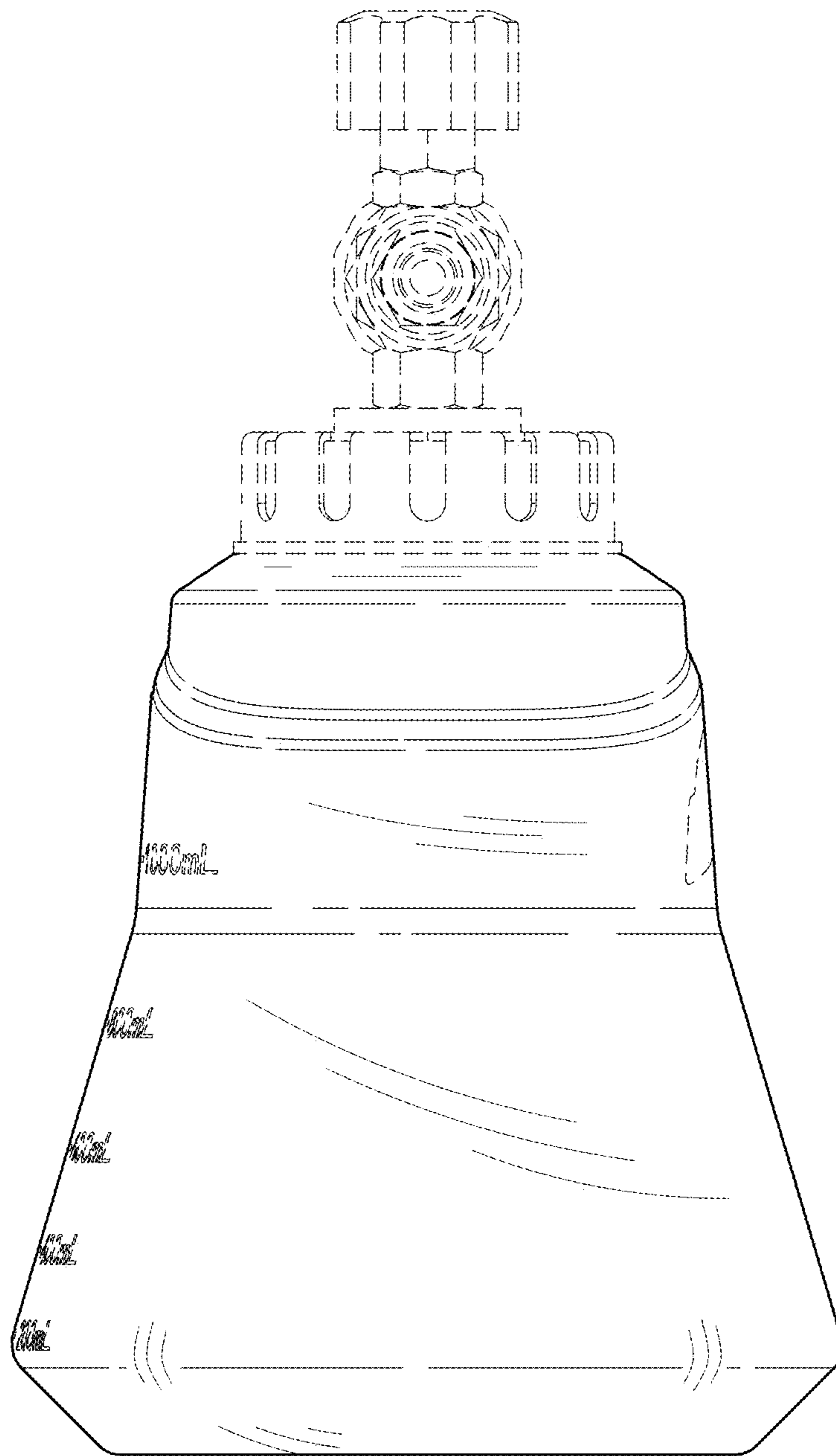


FIG. 4

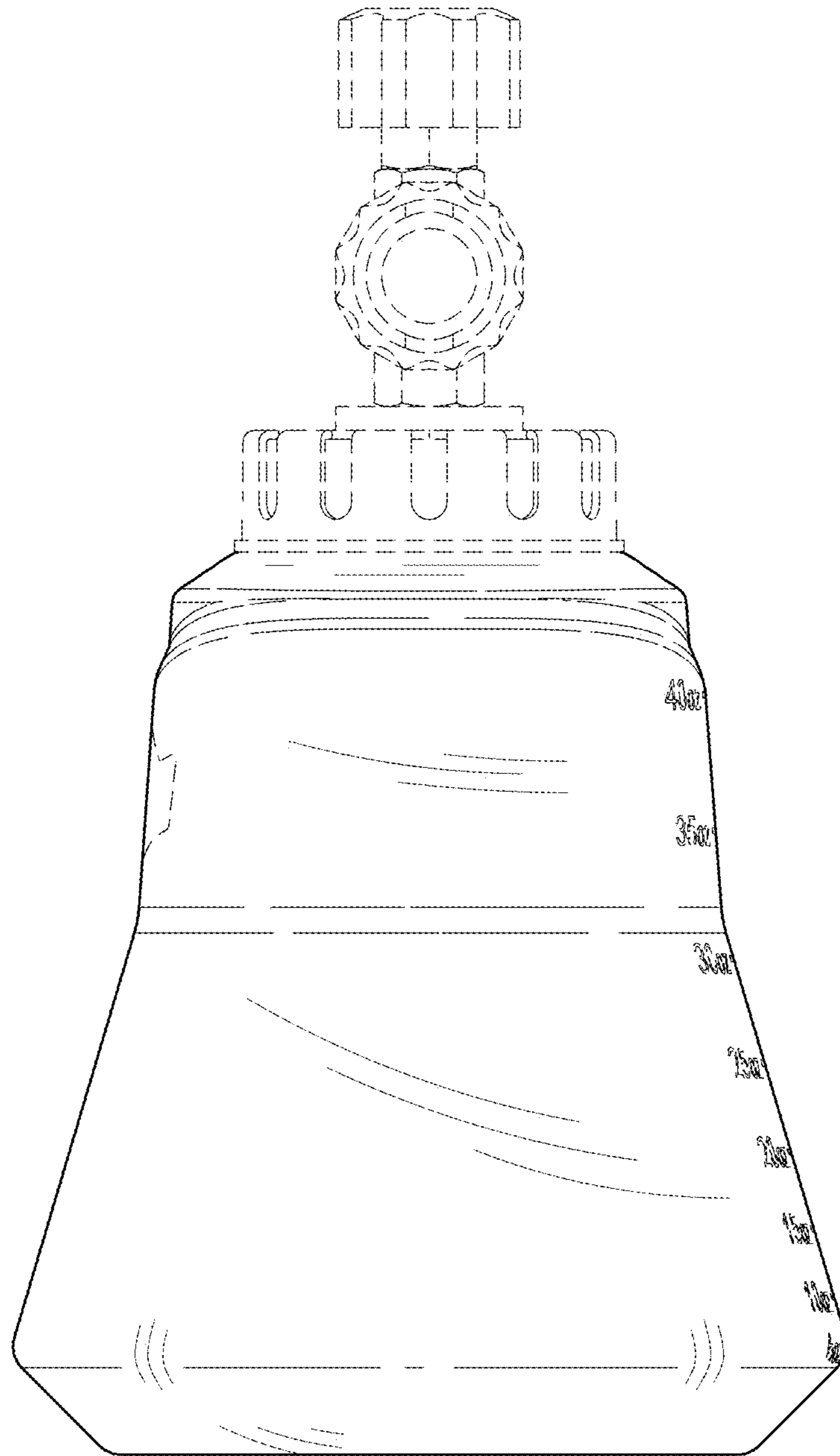


FIG. 5

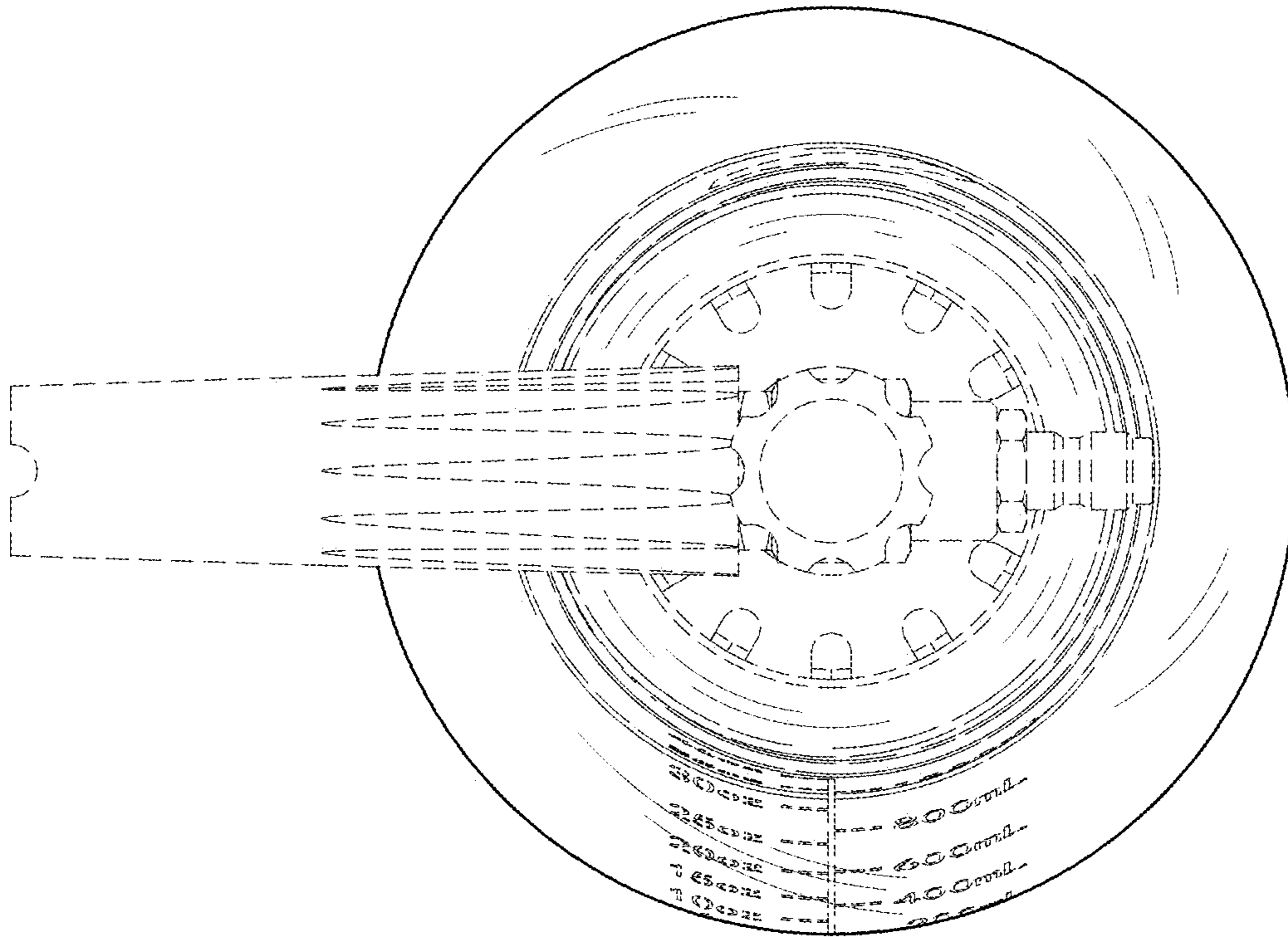


FIG. 6

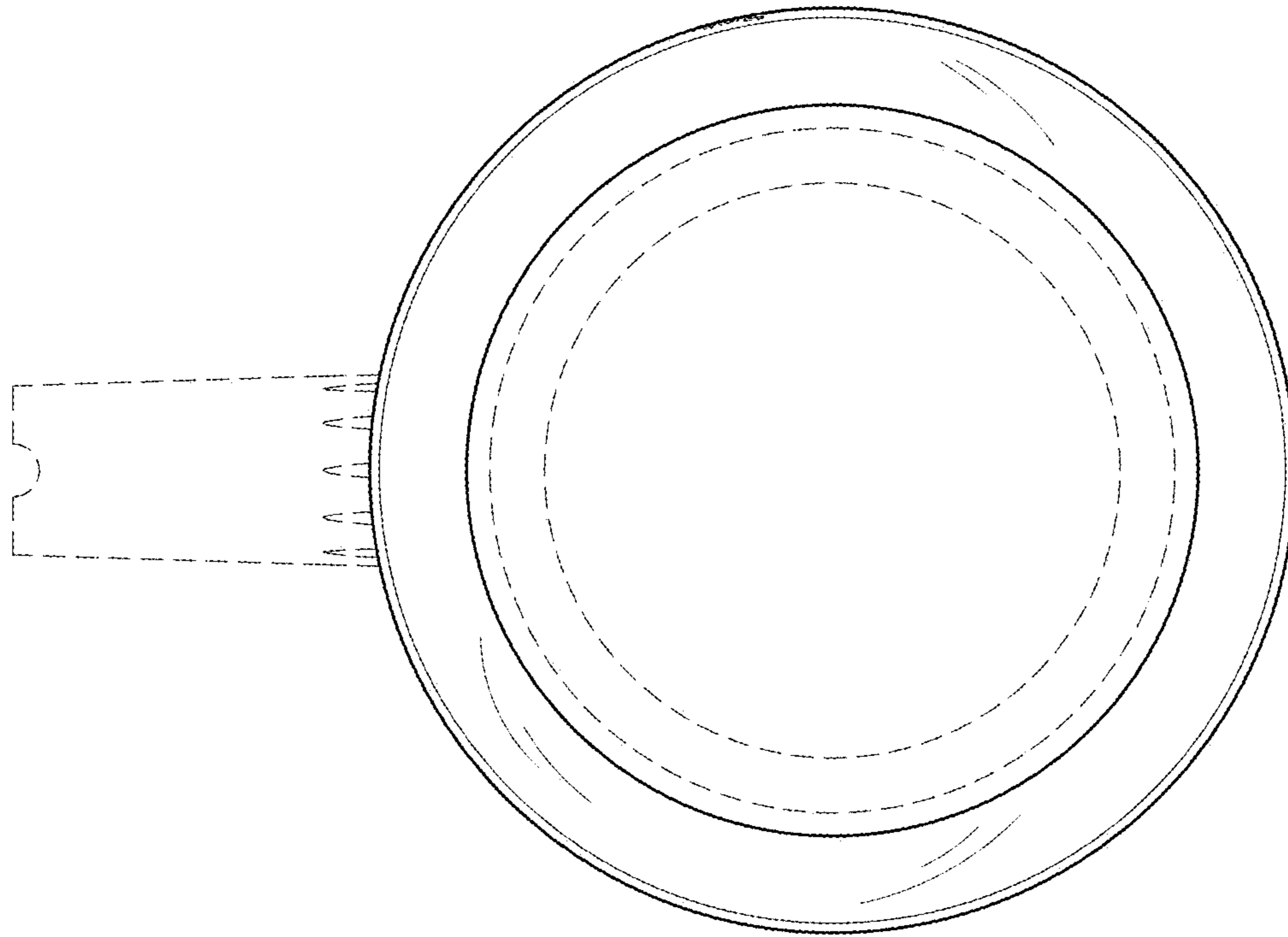


FIG. 7