



US00D937385S

(12) **United States Design Patent** (10) **Patent No.:** **US D937,385 S**  
**Takeshita et al.** (45) **Date of Patent:** **\*\* \*Nov. 30, 2021**

(54) **RETURN NOZZLE**  
(71) Applicant: **KOKUSAI ELECTRIC CORPORATION**, Tokyo (JP)

D643,091 S \* 8/2011 Yasuoka ..... D23/213  
D645,118 S \* 9/2011 Shepherd ..... D23/213  
D695,883 S \* 12/2013 Vest ..... D23/415  
D771,772 S \* 11/2016 Morita ..... D23/213  
D773,609 S \* 12/2016 Morita ..... D23/213

(Continued)

(72) Inventors: **Mitsunori Takeshita**, Toyama (JP);  
**Shuhei Saido**, Toyama (JP); **Hidenari Yoshida**, Toyama (JP); **Yusaku Okajima**, Toyama (JP)

FOREIGN PATENT DOCUMENTS

JP 1605945 S 6/2018

(73) Assignee: **KOKUSAI ELECTRIC CORPORATION**, Tokyo (JP)

OTHER PUBLICATIONS

(\* ) Notice: This patent is subject to a terminal disclaimer.

<https://www.amazon.com/Raindrip-Wire-Hook-Stake-Tubing/dp/> (Year: 2018).\*

(Continued)

(\*\*) Term: **15 Years**

*Primary Examiner* — Jack Reickel

*Assistant Examiner* — Keith J Wilson

(21) Appl. No.: **29/704,986**

(74) *Attorney, Agent, or Firm* — Fitch, Even, Tabin & Flannery, LLP

(22) Filed: **Sep. 9, 2019**

(30) **Foreign Application Priority Data**

(57) **CLAIM**

We claim the ornamental design for a return nozzle, as shown and described.

Mar. 20, 2019 (JP) ..... 005925/2019

(51) **LOC (13) Cl.** ..... **23-01**

**DESCRIPTION**

(52) **U.S. Cl.**  
USPC ..... **D23/214**

(58) **Field of Classification Search**

USPC ..... D23/213, 214, 215, 223, 224, 226, 229, D23/230

CPC ..... A61H 9/0021; A61H 33/00; B05B 1/00; B05B 1/14; B05B 1/185; B05B 1/08; B05B 1/02; B05B 1/26; B05B 12/002; B05B 1/18; B05B 9/01

See application file for complete search history.

FIG. 1 is a front, top and left side perspective view of a return nozzle showing our new design; FIG. 2 is a front elevational view thereof; FIG. 3 is a rear elevational view thereof; FIG. 4 is a left side elevational view thereof; FIG. 5 is a right side elevational view thereof; FIG. 6 is a top plan view thereof; and FIG. 7 is a bottom plan view thereof. FIG. 8 is an enlarged view take along line 8-8 in FIG. 2; and, FIG. 9 is an enlarged cross sectional view take along line 9-9 in FIG. 8.

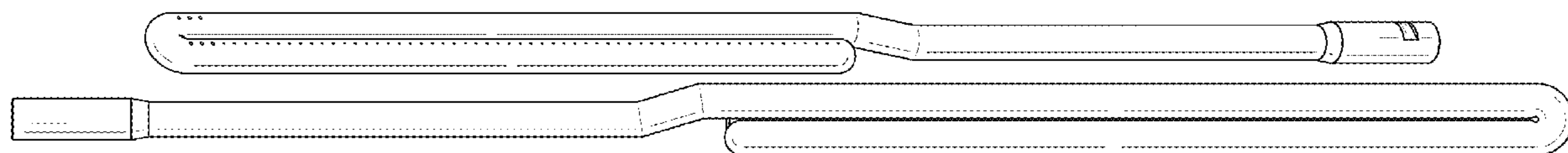
(56) **References Cited**

U.S. PATENT DOCUMENTS

D258,309 S \* 2/1981 Leighton ..... D23/415  
D322,470 S \* 12/1991 Garlich ..... D23/200  
D613,116 S \* 4/2010 Roberts ..... D7/407

The broken line in the FIG. 2 views are used to identify the cross section view, are for reference purposes only, and form no part of the claimed design

**1 Claim, 3 Drawing Sheets**



(56)

**References Cited**

## U.S. PATENT DOCUMENTS

D783,351 S \* 4/2017 Fujino ..... D7/407  
D828,091 S \* 9/2018 Fujino ..... D7/407  
D847,301 S \* 4/2019 Yoshida ..... D23/213  
D851,763 S \* 6/2019 Mathews ..... D24/145  
D886,947 S \* 6/2020 Mo ..... D23/223  
D888,196 S \* 6/2020 Okajima ..... D23/213  
D889,596 S \* 7/2020 Okajima ..... D23/213  
D890,572 S \* 7/2020 Saiki ..... D7/407  
D912,203 S \* 3/2021 Andersen ..... D23/213  
D912,276 S \* 3/2021 Denton ..... D25/56  
10,960,415 B1 \* 3/2021 Amato ..... B08B 9/0936  
D923,745 S \* 6/2021 Govrin ..... D23/214  
2009/0205631 A1 \* 8/2009 Tsung ..... F23D 14/045  
126/39 E  
2010/0154775 A1 \* 6/2010 Robinson ..... F23D 14/10  
126/39 E  
2021/0016302 A1 \* 1/2021 Garcia Villareal ..... B05B 1/185

## OTHER PUBLICATIONS

4 in. 3 Hole 120° - 5/8 in. Holes Smoothwall Pipe, Feb. 16, 2016, homedepot.com, Aug. 11, 2021. URL: [https://www.homedepot.com/p/Advanced-Drainage-Systems-4-in-3-Hole-120-5-8-in-Holes-Smoothwall-Pipe-04580010/\(Year:2016\).](https://www.homedepot.com/p/Advanced-Drainage-Systems-4-in-3-Hole-120-5-8-in-Holes-Smoothwall-Pipe-04580010/(Year:2016).)\*  
INTBUYING Hydroponic 36 Holes Plant Site Grow Kit Garden System, Feb. 8, 2020, Amazon.com, Aug. 11, 2021 <https://www.amazon.com/INTBUYING-Hydroponic-Vegetable-Vertical-Layer%E2%80%8Ddiameter/dp/B083ZQ15K2> (Year: 2020).\*

\* cited by examiner

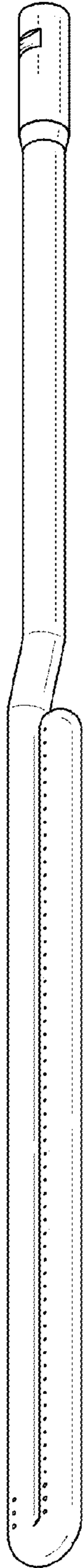


FIG. 1

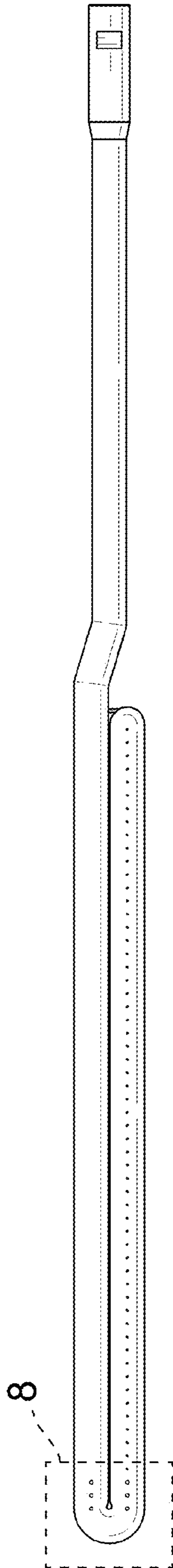


FIG. 2

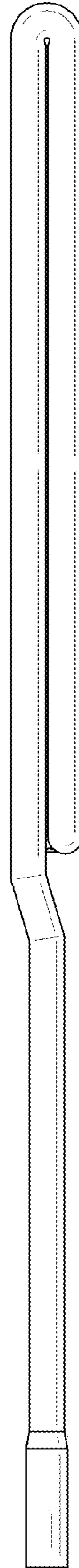


FIG. 3



FIG. 4



FIG. 5

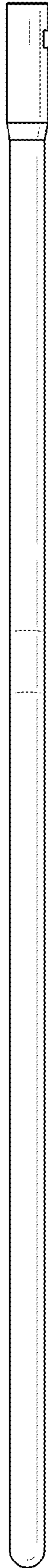


FIG. 6

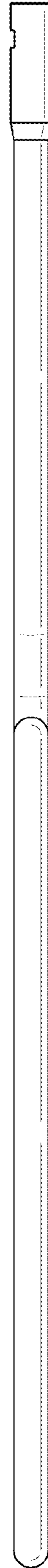


FIG. 7

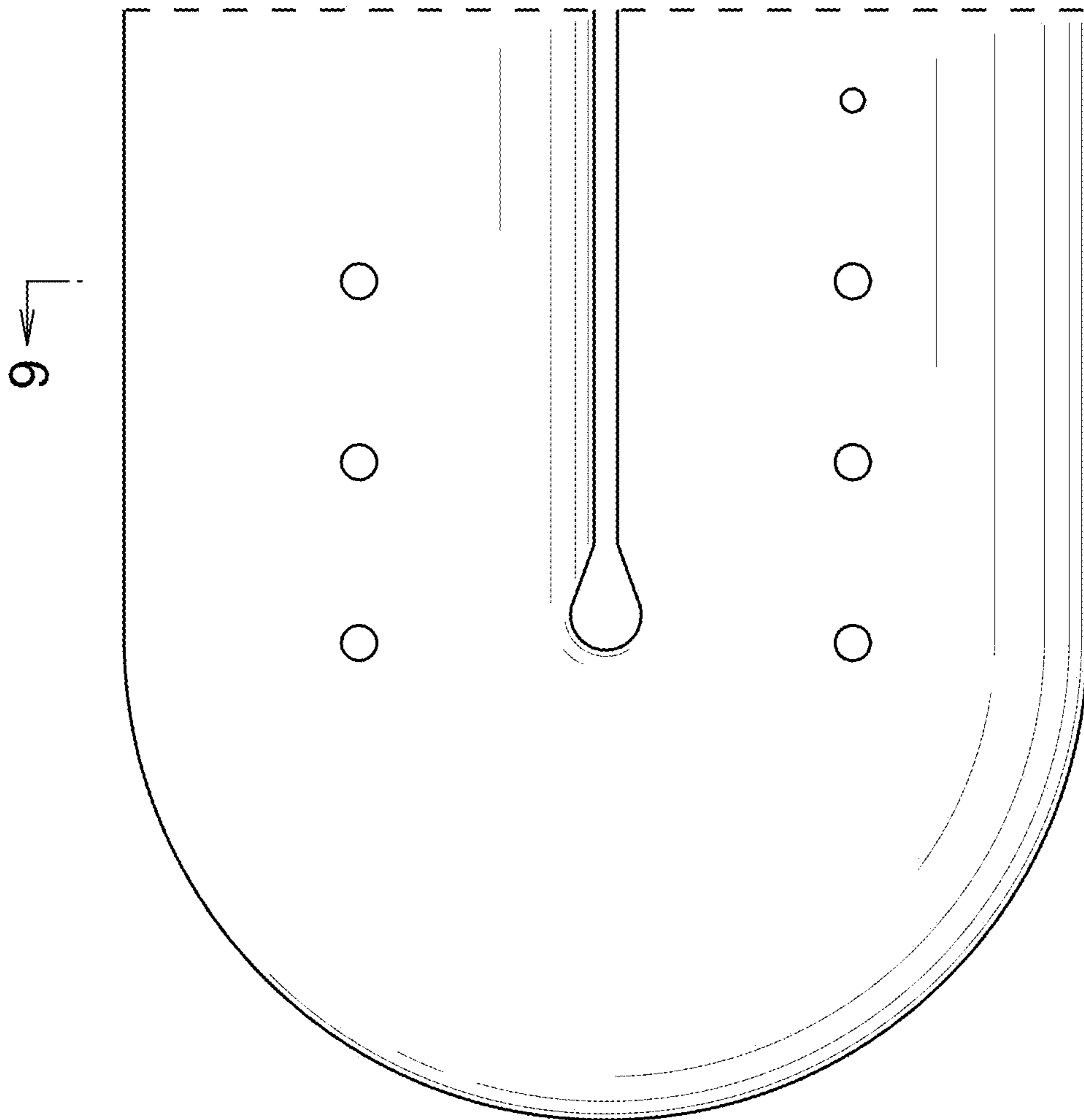


FIG. 8

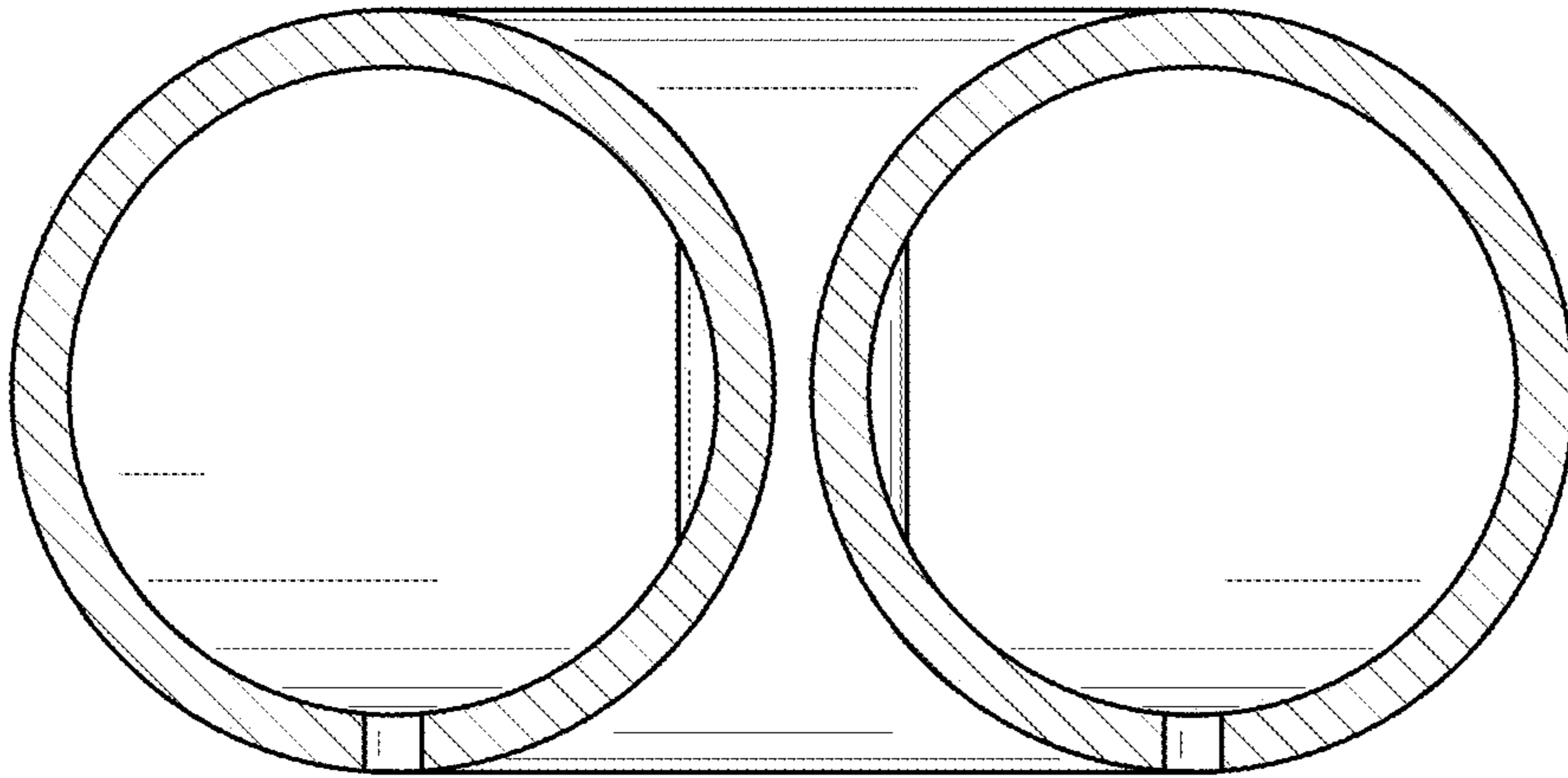


FIG. 9