



US00D937382S

(12) **United States Design Patent** (10) **Patent No.:** **US D937,382 S**
Chiu (45) **Date of Patent:** **** *Nov. 30, 2021**

(54) **WATER COLLECTING DEVICE**
(71) Applicant: **SAVE WATER DOT CO., LTD.,**
Taoyuan (TW)
(72) Inventor: **Hsi-Ying Chiu, Taoyuan (TW)**
(73) Assignee: **SAVE WATER DOT CO., LTD.,**
Taoyuan (TW)
(*) Notice: This patent is subject to a terminal disclaimer.
(**) Term: **15 Years**

3,465,968 A * 9/1969 Halpern B05B 1/262
239/504
3,847,159 A * 11/1974 Hofer B05B 1/267
239/507
5,028,077 A * 7/1991 Hurst F16L 27/107
285/8
D329,344 S * 9/1992 Carillo D6/515
D335,990 S * 6/1993 Lizanetz D6/526
D625,130 S * 10/2010 Szczepanowski D6/526
D648,800 S * 11/2011 Dambricourt D19/90
8,566,973 B2 * 10/2013 Duczak A01K 13/001
4/567
9,080,320 B1 * 7/2015 Taylor F16L 37/48
(Continued)

(21) Appl. No.: **29/705,734**
(22) Filed: **Sep. 14, 2019**
(30) **Foreign Application Priority Data**
Jun. 21, 2019 (TW) 108303668
(51) **LOC (13) Cl.** **23-01**
(52) **U.S. Cl.**
USPC **D23/202**
(58) **Field of Classification Search**
USPC D23/202, 206, 207, 208, 209, 210, 213,
D23/228, 233, 239
CPC B01B 1/185; B01B 1/18; E03C 1/06
See application file for complete search history.

OTHER PUBLICATIONS
“Pets Shower Attachment”, Jun. 1, 2017, Amazon, site visited Jun. 14, 2021: <https://www.amazon.com/dp/B071F9JLQ8/> (Year: 2017).*
(Continued)

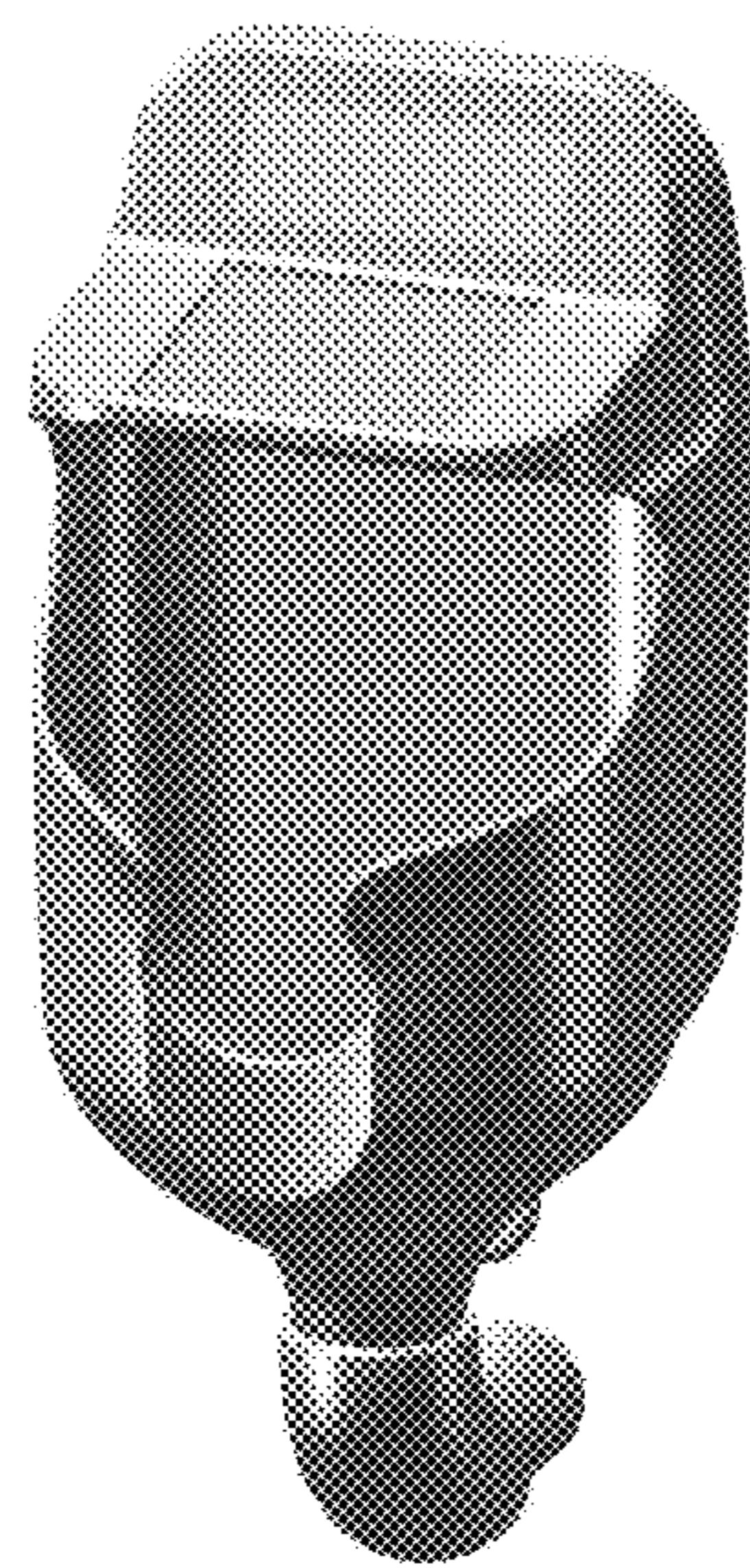
Primary Examiner — Jack Reickel
Assistant Examiner — Bobby W Jones, II
(74) *Attorney, Agent, or Firm* — Maschoff Brennan

(56) **References Cited**
U.S. PATENT DOCUMENTS
2,539,976 A * 1/1951 Samson B05B 1/267
239/511
2,845,245 A * 7/1958 Gray A47K 1/09
248/314
2,900,139 A * 8/1959 Hensley, Jr. E03C 1/086
239/499
3,162,193 A * 12/1964 Zacks A61M 3/0241
604/262
D206,426 S * 12/1966 Wise D6/526

(57) **CLAIM**
The ornamental design for a water collecting device, as shown and described.

DESCRIPTION
FIG. 1 is a front perspective view of a water collecting device showing my new design;
FIG. 2 is a rear perspective view thereof;
FIG. 3 is a front side view thereof;
FIG. 4 is a rear side view thereof;
FIG. 5 is a left side view thereof;
FIG. 6 is a right view thereof;
FIG. 7 is a top view thereof; and,
FIG. 8 is a bottom view thereof and,
FIG. 9 is an exploded rear perspective view thereof.

1 Claim, 9 Drawing Sheets



(56)

References Cited

U.S. PATENT DOCUMENTS

10,676,931	B2 *	6/2020	Parra	A47K 3/281
2003/0041372	A1 *	3/2003	Yang	A47K 3/28
					4/605
2006/0283336	A1 *	12/2006	Eveleigh	F16L 37/23
					99/403
2007/0047617	A1 *	3/2007	Thorne	A47K 3/005
					374/163
2009/0082729	A1 *	3/2009	Callow	A47K 3/281
					604/150
2009/0173388	A1 *	7/2009	Sever	E03C 1/08
					137/1
2013/0048104	A1 *	2/2013	Li	E03B 1/048
					137/386
2013/0333764	A1 *	12/2013	Wright	E03C 1/02
					137/1
2016/0016190	A1 *	1/2016	Buswell	B65D 25/22
					220/475
2017/0181583	A1 *	6/2017	Chiu	B05B 15/62
2018/0202135	A1 *	7/2018	Chiu	E03C 1/06
2020/0398288	A1 *	12/2020	Chiu	G01K 13/026

OTHER PUBLICATIONS

“Danco 10086 Portable Hand Held Shower Head”, May 29, 2010, Amazon, site visited Jun. 14, 2021: <https://www.amazon.com/dp/B003OJ3LP0/> (Year: 2010).*

* cited by examiner

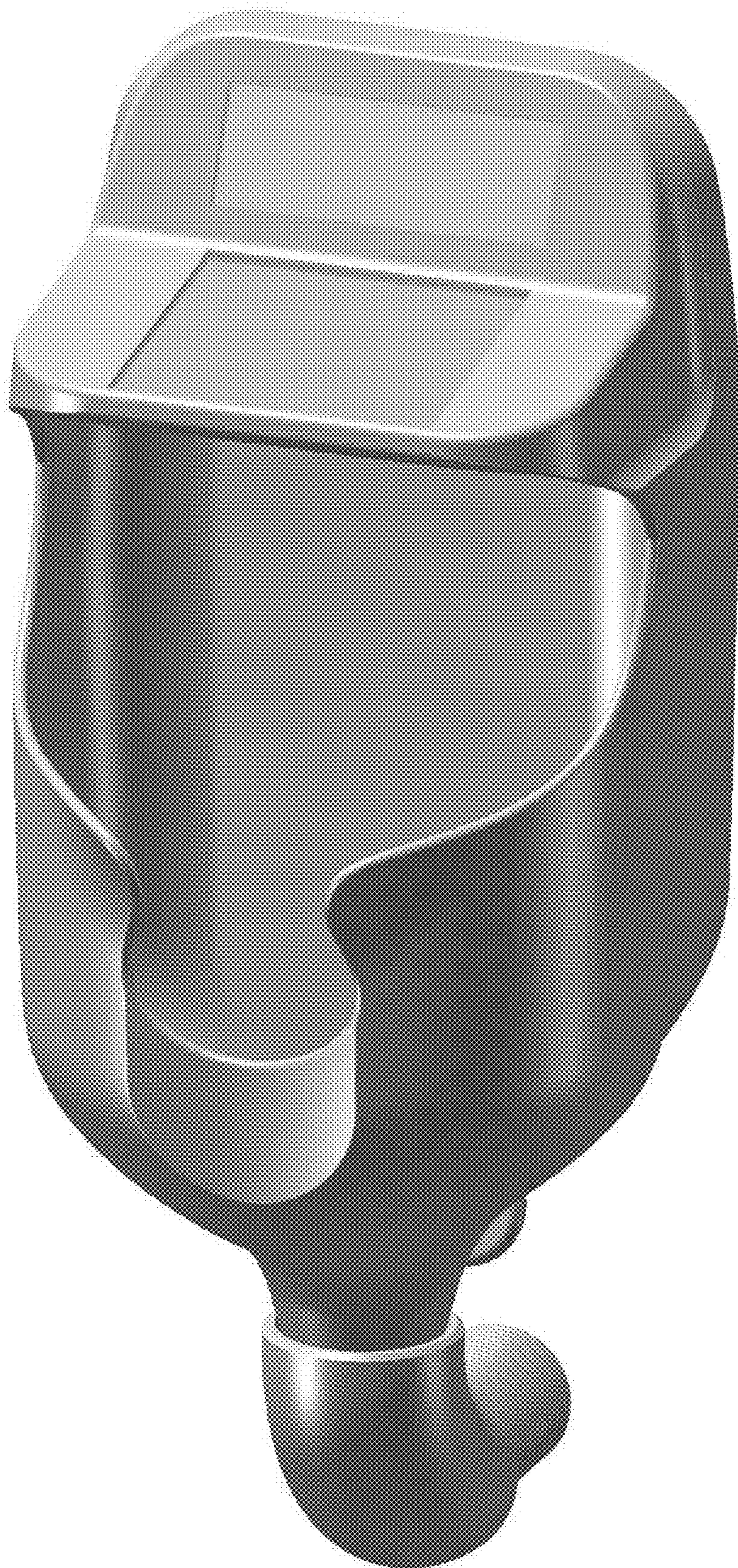


FIG.1

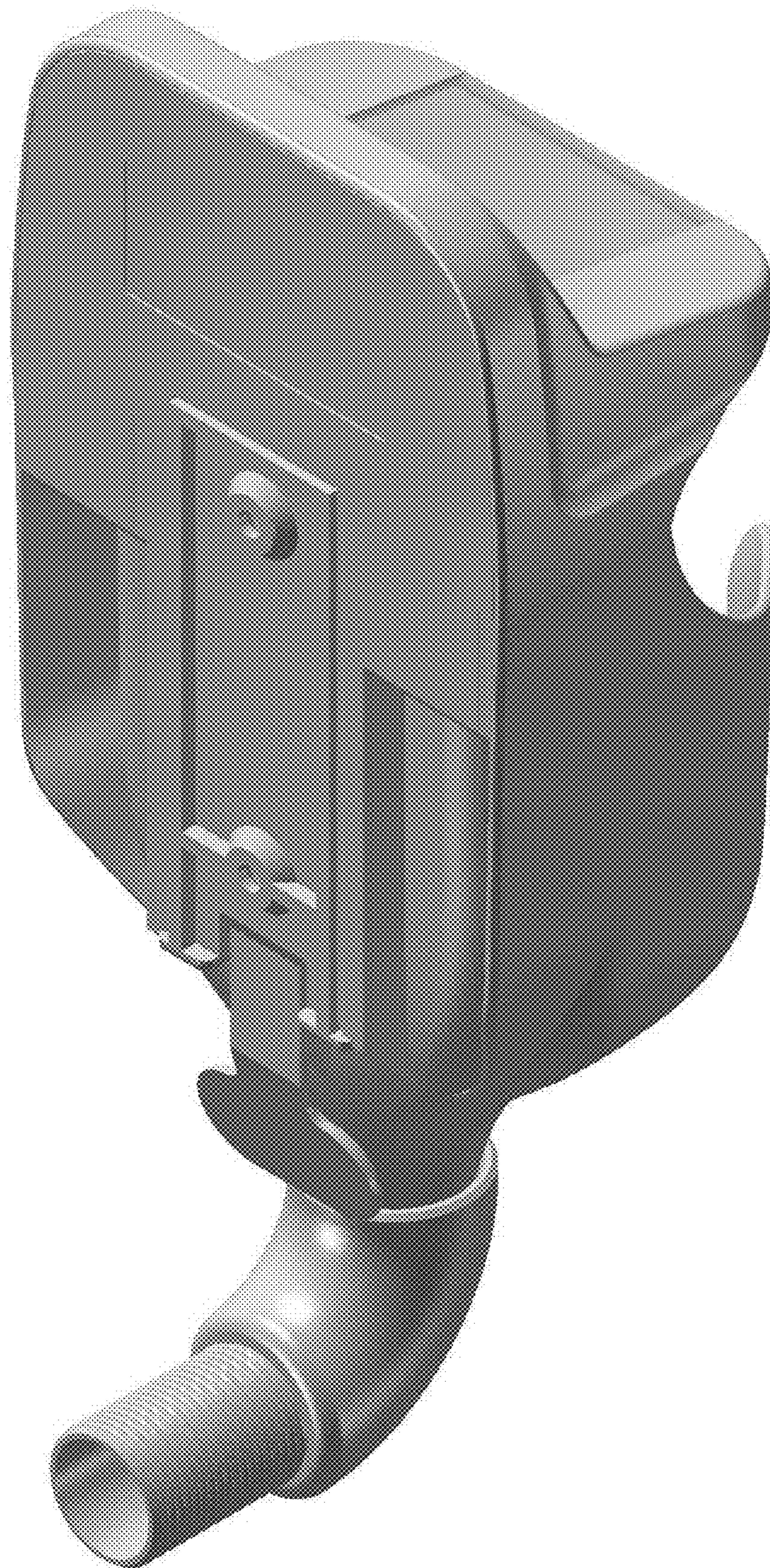


FIG.2

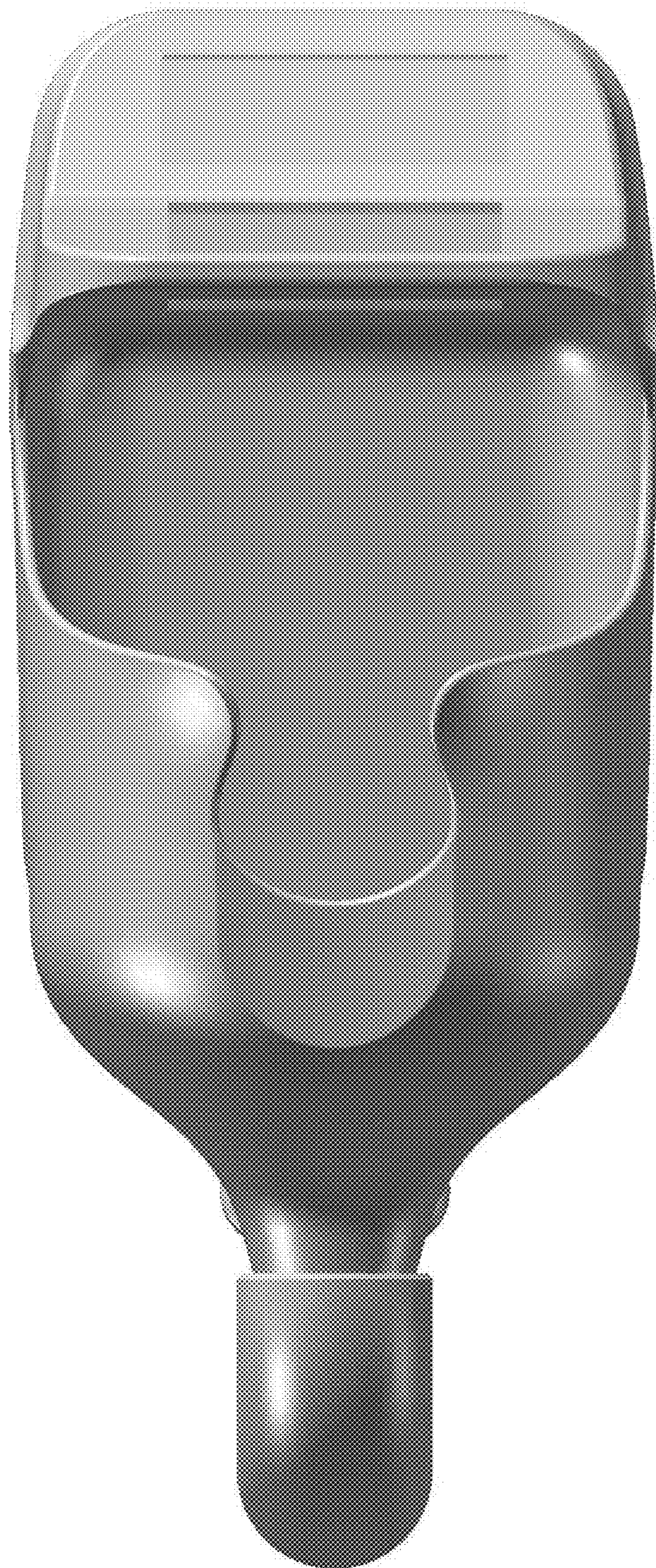


FIG.3



FIG.4

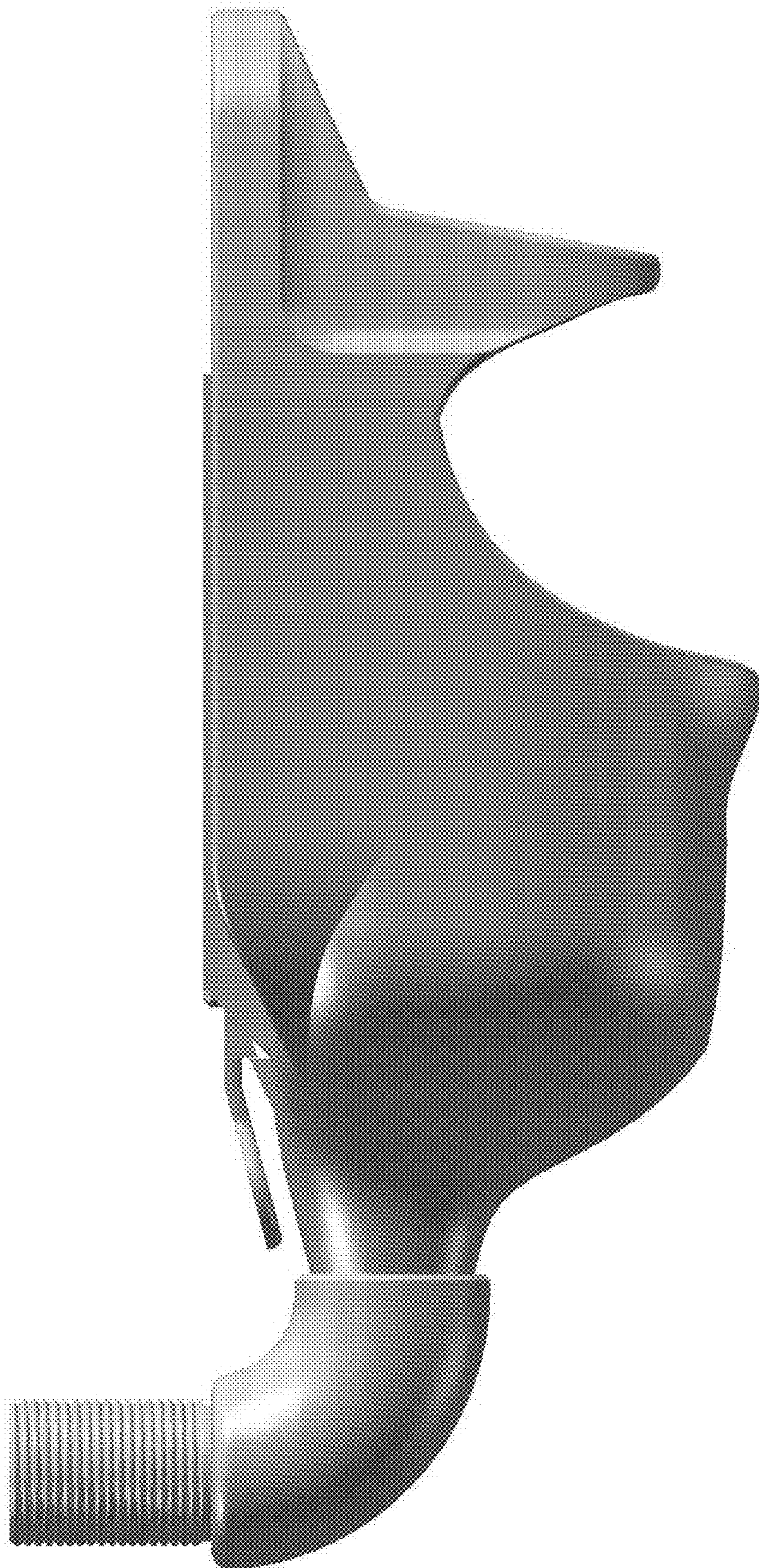


FIG.5

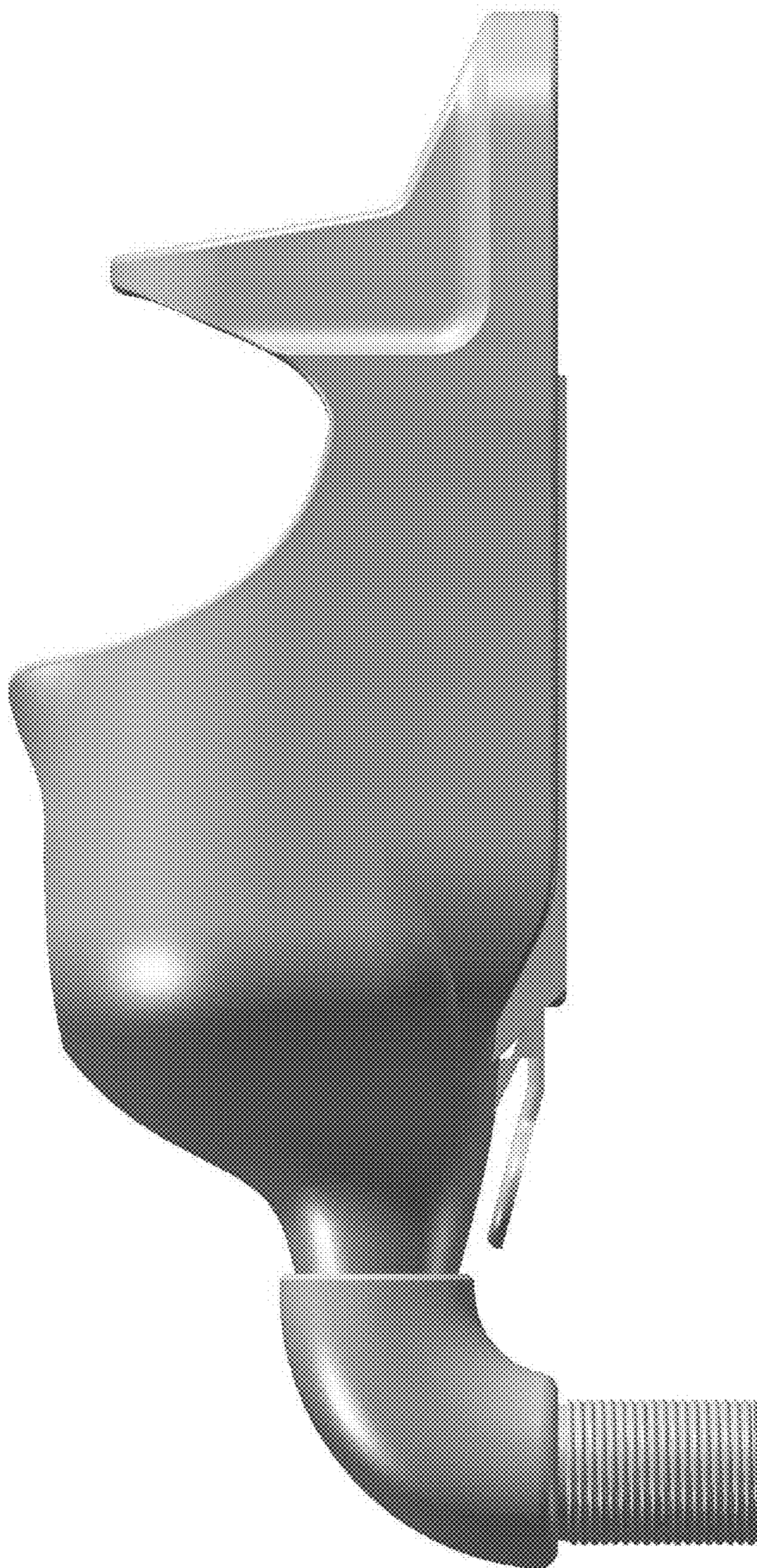


FIG.6



FIG.7

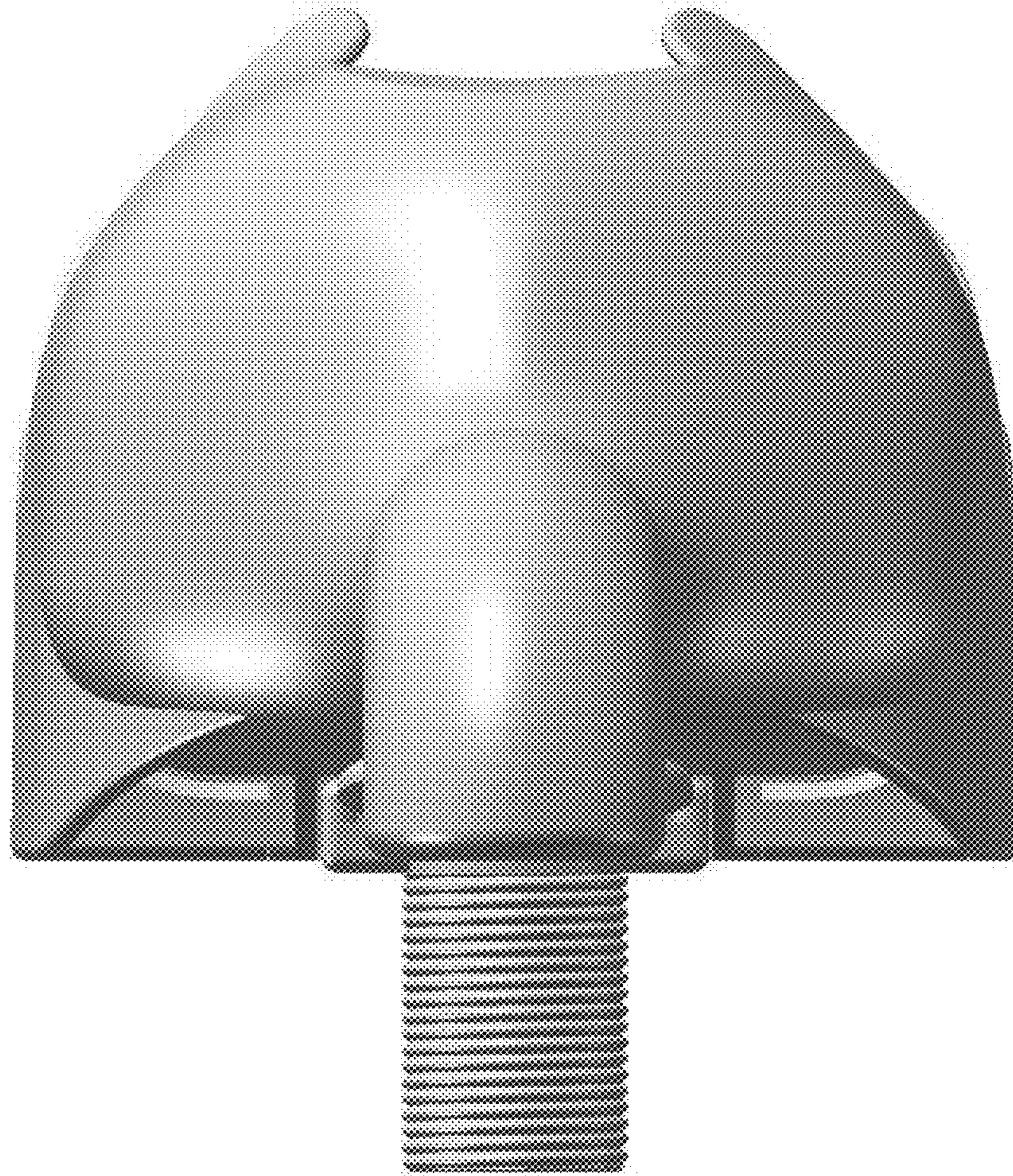


FIG.8

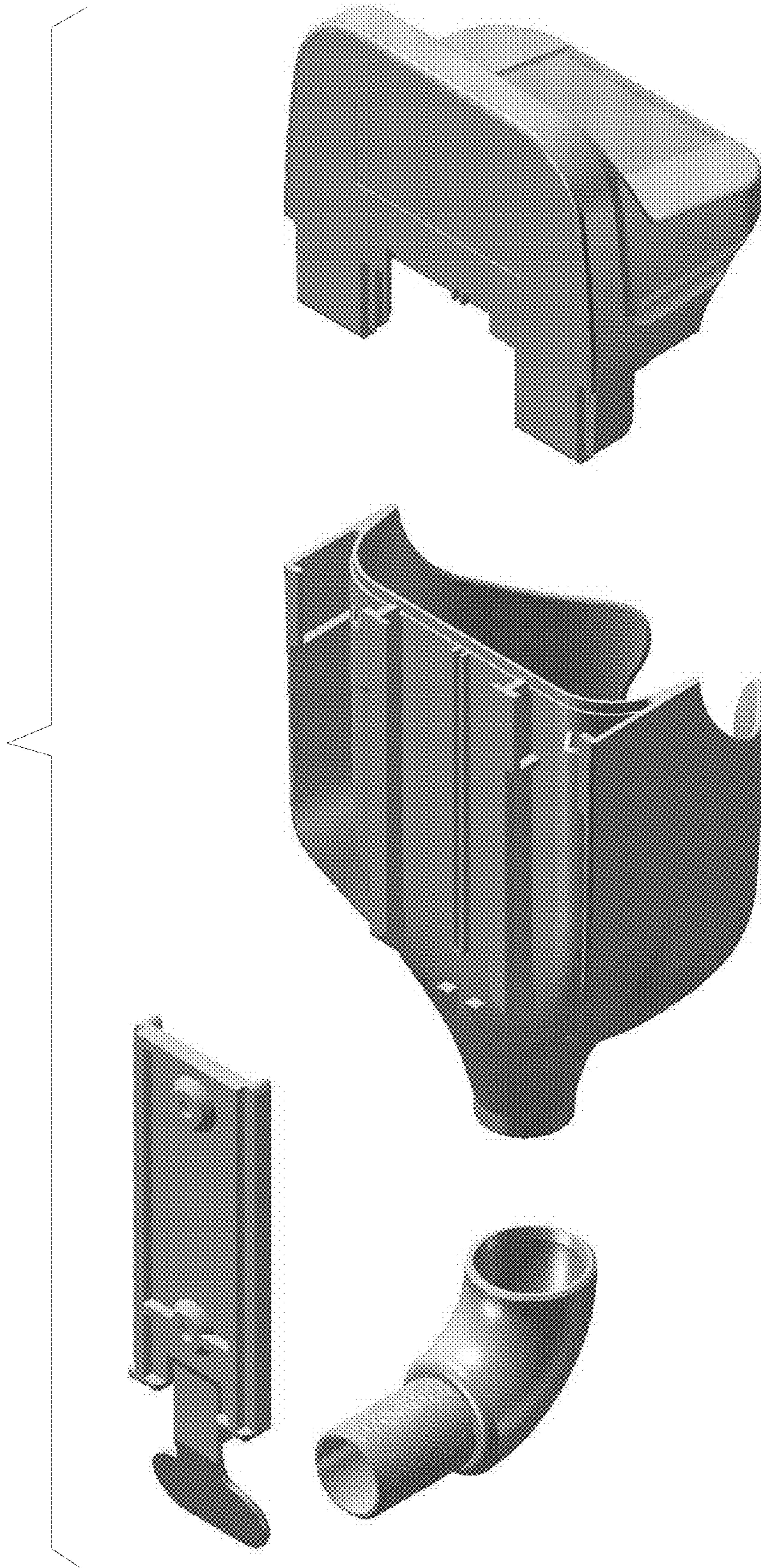


FIG.9