

US00D937380S

(12) **United States Design Patent**  
**Huang**

(10) **Patent No.:** **US D937,380 S**

(45) **Date of Patent:** **\*\* Nov. 30, 2021**

(54) **ROLLER THREAD GUIDE**

(71) Applicant: **CAXIN TECHNIQUES CORP.**,  
Tainan (TW)

(72) Inventor: **Kung-Yi Huang**, Tainan (TW)

(73) Assignee: **CAXIN TECHNIQUES CORP.**,  
Tainan (TW)

(\*\*) Term: **15 Years**

(21) Appl. No.: **29/717,623**

(22) Filed: **Dec. 18, 2019**

(51) **LOC (13) Cl.** ..... **22-05**

(52) **U.S. Cl.**  
USPC ..... **D22/143**

(58) **Field of Classification Search**  
USPC ..... D22/143, 134  
CPC ..... A01K 87/02; A01K 87/04; A01K 87/06  
See application file for complete search history.

(56) **References Cited**

**U.S. PATENT DOCUMENTS**

D292,116 S \* 9/1987 Ziemelis ..... D22/143  
D536,414 S \* 2/2007 Malcarne ..... D22/143  
D580,008 S \* 11/2008 Lin ..... D22/143  
D581,009 S \* 11/2008 Lin ..... D22/143

D698,410 S \* 1/2014 Akiba ..... D22/143  
2011/0067291 A1\* 3/2011 Lin ..... A01K 87/04  
43/24  
2019/0159438 A1\* 5/2019 Stirling ..... A01K 87/04

**OTHER PUBLICATIONS**

TCRXDG—80+lb Roller Guides—Titanium Chrome . . . <https://getbitoutdoors.com/alpstcrxdg> (Year: 2021).\*

\* cited by examiner

*Primary Examiner* — Catherine R Oliver-Garcia  
(74) *Attorney, Agent, or Firm* — Muncy, Geissler, Olds and Lowe, P.C.

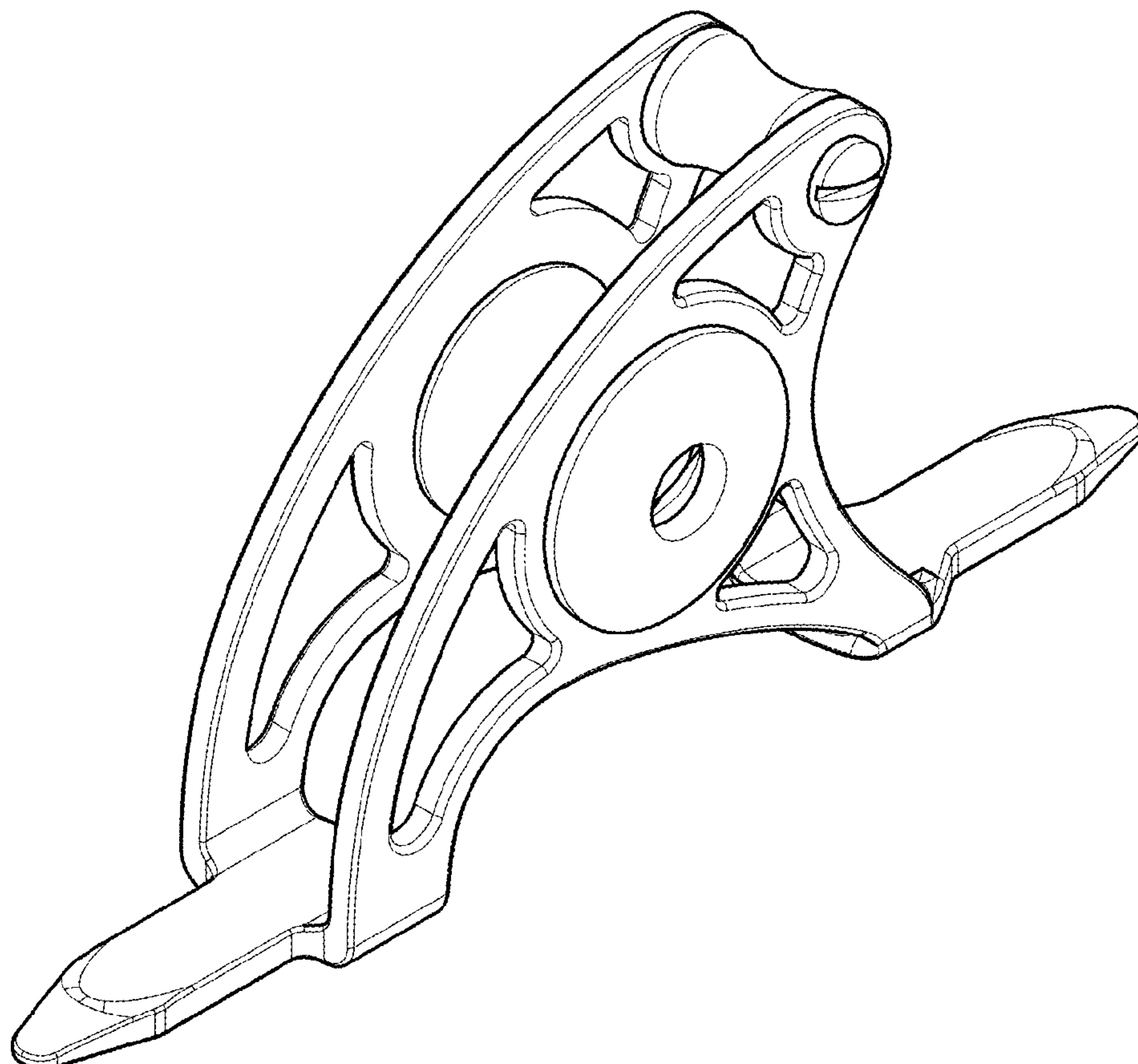
(57) **CLAIM**

The ornamental design for the roller thread guide, as shown and described.

**DESCRIPTION**

FIG. 1 is a perspective view of the roller thread guide showing my new design;  
FIG. 2 is a front elevational view thereof;  
FIG. 3 is a rear elevational view thereof;  
FIG. 4 is a left side elevational view thereof;  
FIG. 5 is a right side elevational view thereof;  
FIG. 6 is a top plan view thereof; and,  
FIG. 7 is a bottom plan view thereof.

**1 Claim, 7 Drawing Sheets**



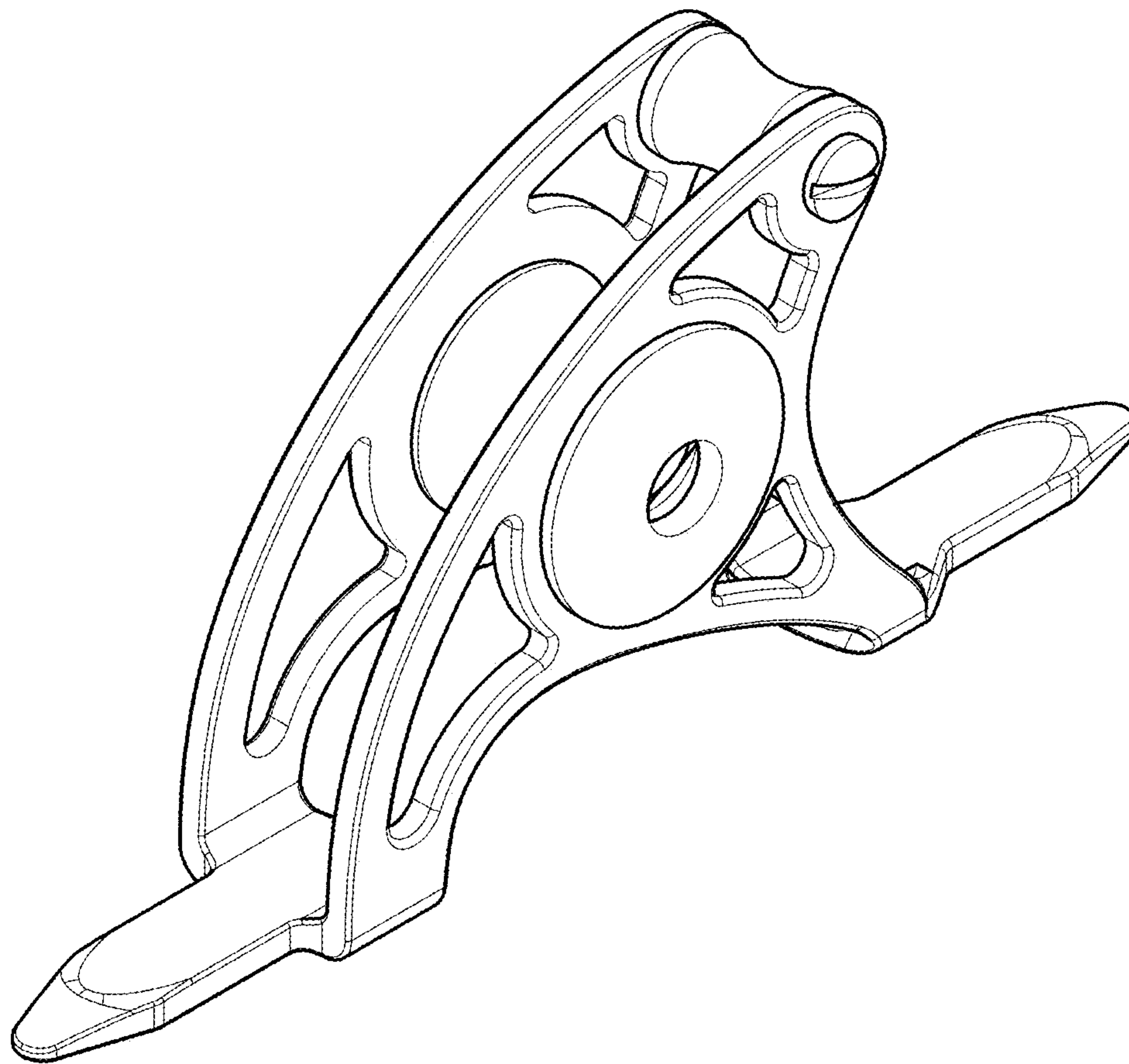


Fig.1

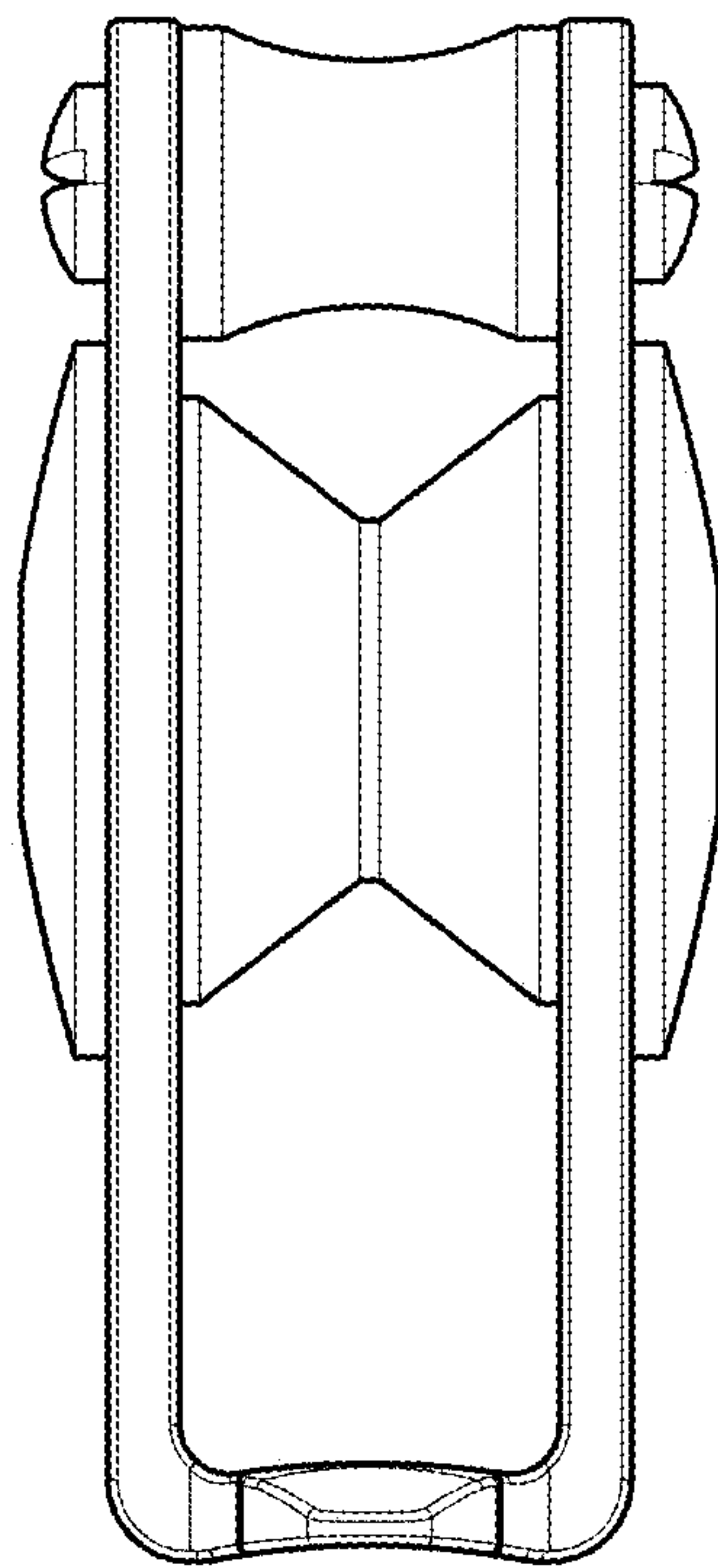


Fig.2

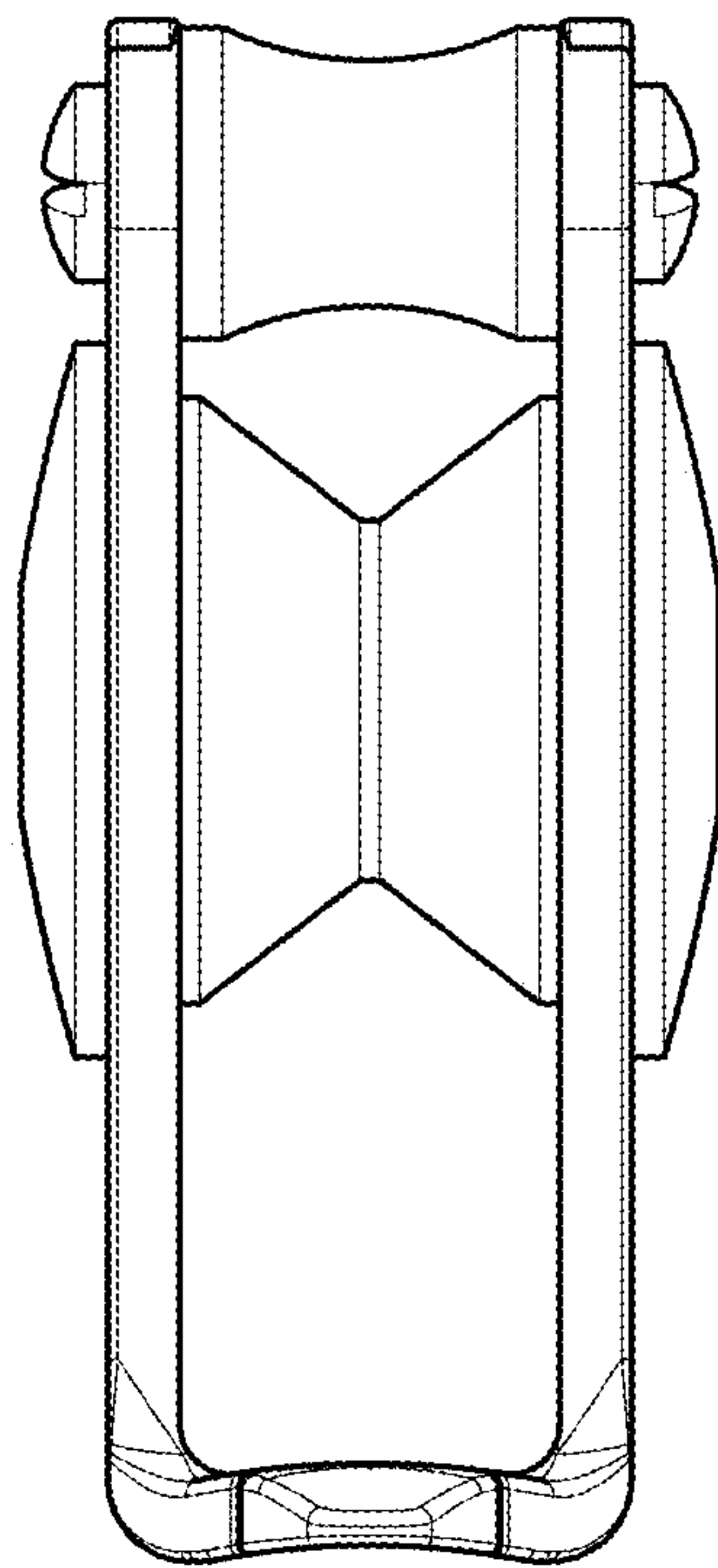


Fig.3

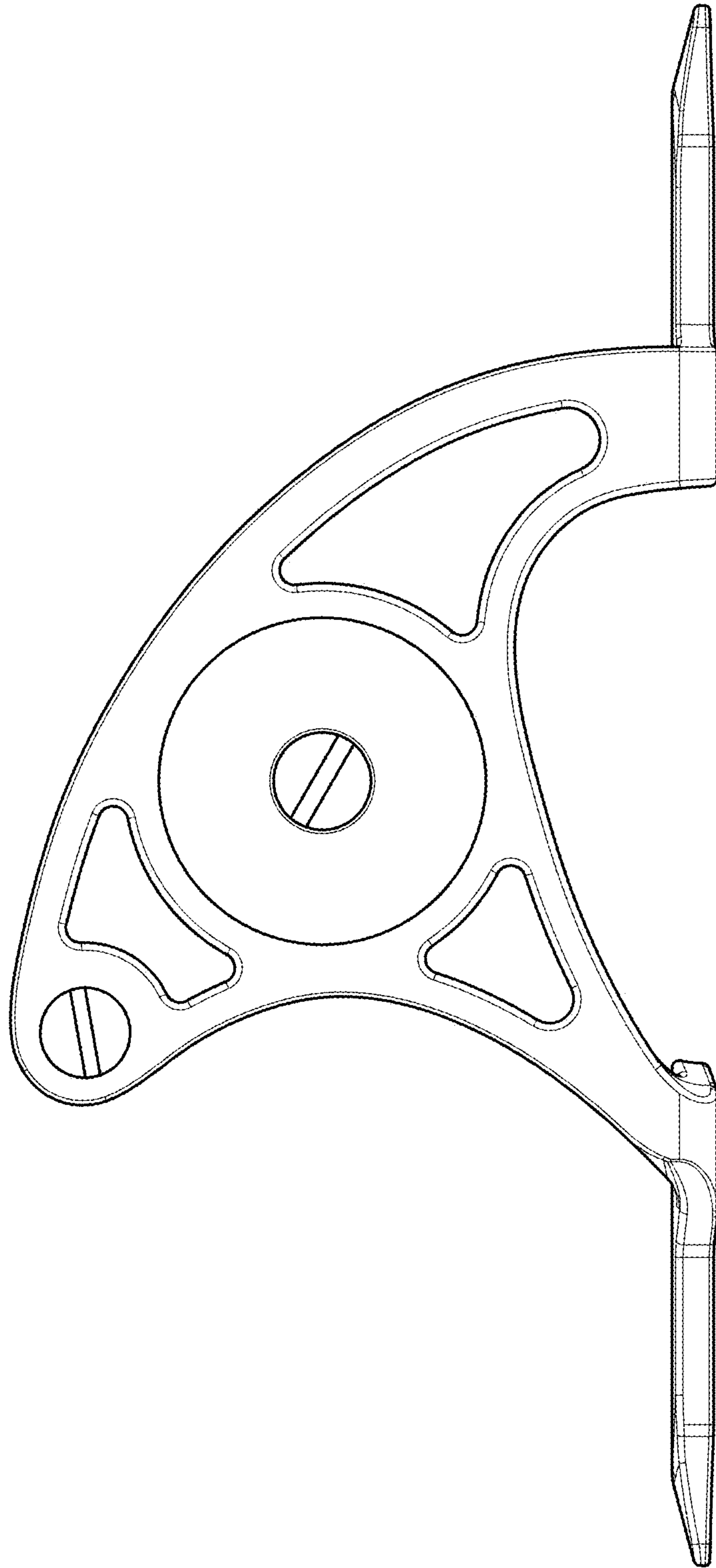


Fig.4

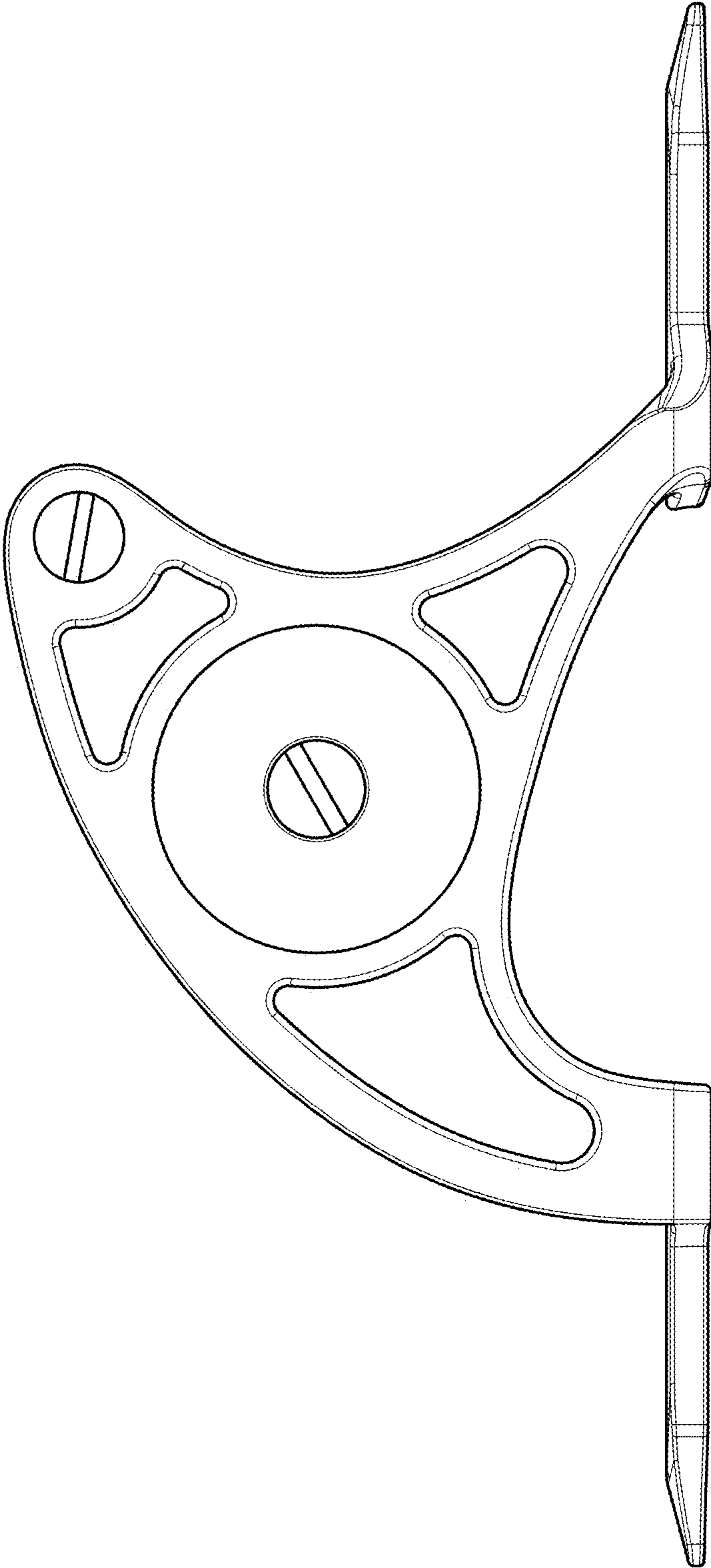


Fig. 5



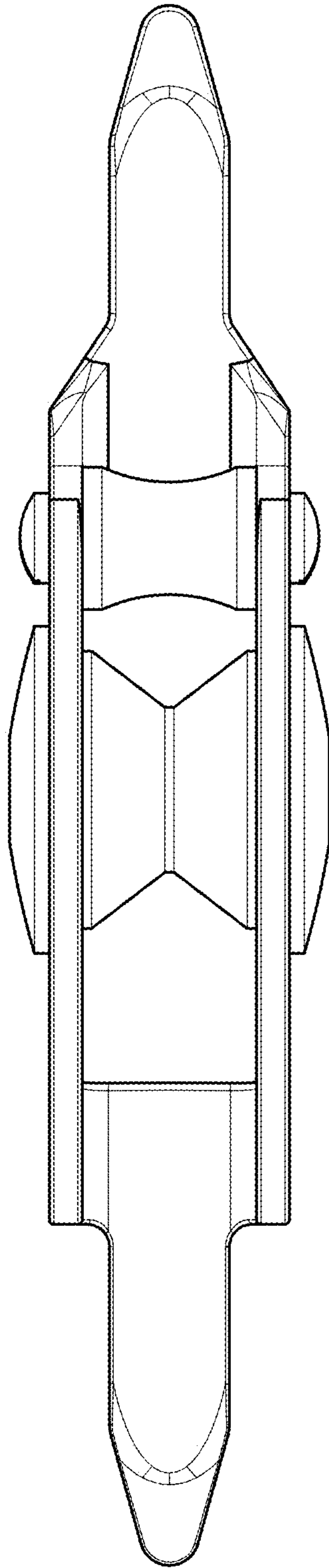


Fig.6

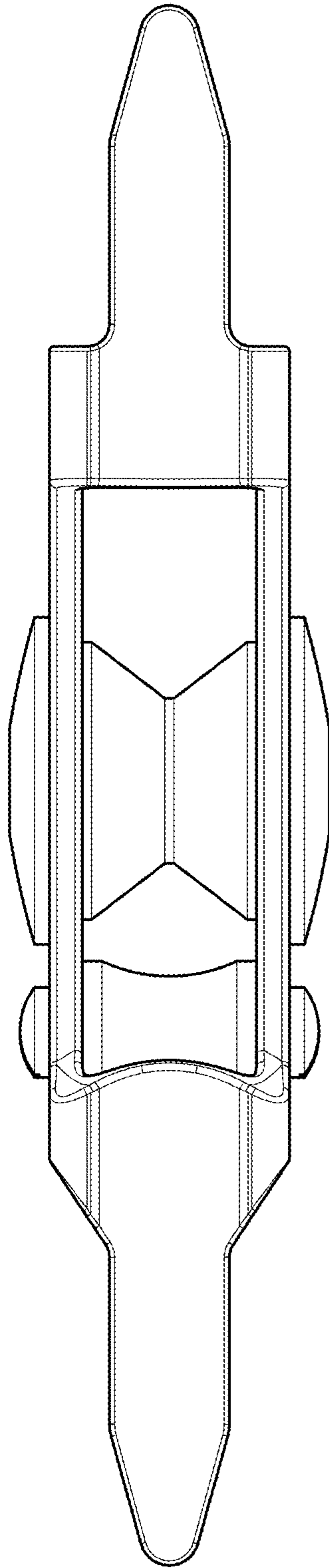


Fig.7