



US00D937374S

(12) **United States Design Patent**
Altemus, Jr.

(10) **Patent No.:** **US D937,374 S**

(45) **Date of Patent:** **** Nov. 30, 2021**

- (54) **GOLF SWING TRAINER**
- (71) Applicant: **Armin Joseph Altemus, Jr.**, Riverside, CA (US)
- (72) Inventor: **Armin Joseph Altemus, Jr.**, Riverside, CA (US)
- (**) Term: **15 Years**
- (21) Appl. No.: **29/703,550**
- (22) Filed: **Aug. 28, 2019**
- (51) **LOC (13) Cl.** **21-02**
- (52) **U.S. Cl.**
USPC **D21/791**
- (58) **Field of Classification Search**
USPC D21/725, 780, 789, 791
CPC A63B 59/00; A63B 59/50–59/58; A63B 59/80; A63B 60/00; A63B 60/46; A63B 2102/00; A63B 2102/10; A63B 57/00; A63B 57/12; A63B 57/16; A63B 57/20; A63B 57/30; A63B 57/35
See application file for complete search history.

- 8,500,569 B2 8/2013 Moore
- 8,894,503 B2 * 11/2014 Dandrea A63B 69/3632 473/226
- 9,039,546 B2 * 5/2015 Dawson A63B 69/3621 473/422
- 9,126,090 B1 * 9/2015 Watson A63B 69/3632
- 9,162,131 B1 * 10/2015 Watson A63B 69/0057
- 9,364,734 B1 * 6/2016 Dixon, Jr. A63B 71/0622

(Continued)

Primary Examiner — Mitchell I. Siegel

(74) *Attorney, Agent, or Firm* — Kirk A. Buhler; Buhler & Associates Patenting

(57) **CLAIM**

The ornamental design for a golf swing trainer, as shown and described.

DESCRIPTION

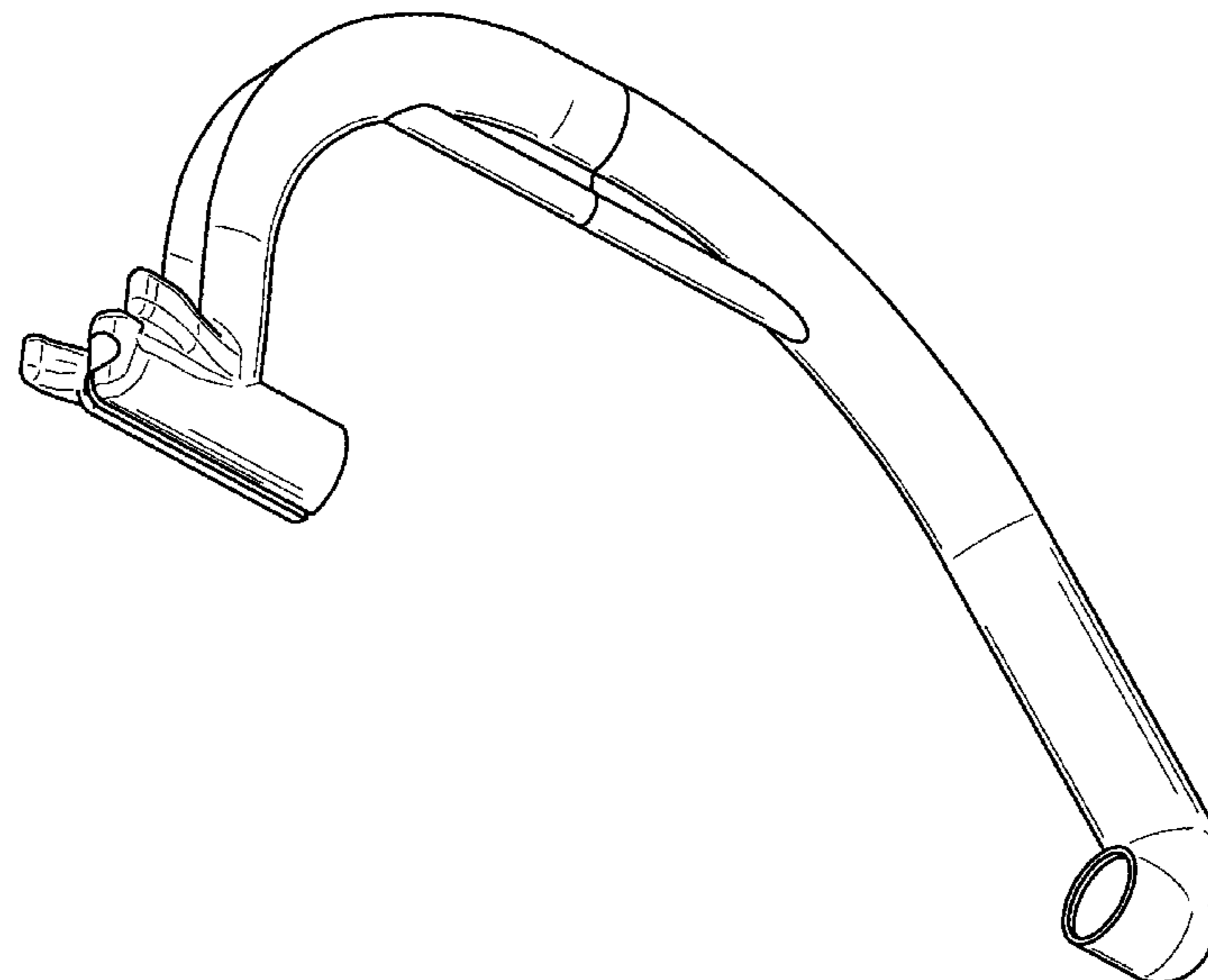
FIG. 1 is a lower front perspective view of a golf swing trainer;
 FIG. 2 is an upper rear perspective view thereof;
 FIG. 3 is a left side elevational view shown with broken line environment, the undisclosed right side elevation is a mirror image;
 FIG. 4 is a bottom plan view thereof;
 FIG. 5 is a bottom plan view shown with broken line environment;
 FIG. 6 is a top plan view shown with broken line environment;
 FIG. 7 is a front elevational view of FIG. 1;
 FIG. 8 is a rear elevational view of FIG. 1;
 FIG. 9 is a cross sectional view taken on line 9-9 of FIG. 3; and,
 FIG. 10 is a reduced in scale, rotated left side elevational view shown with broken line environment.
 The broken lines shown on FIGS. 3, 5, 6 and 10 depict environmental subject matter and form no part of the claimed design.

1 Claim, 6 Drawing Sheets

(56) **References Cited**

U.S. PATENT DOCUMENTS

- 1,990,281 A * 2/1935 Grelle A63B 69/3632 473/232
- 5,009,426 A * 4/1991 Cox A63B 69/3632 473/227
- 5,221,089 A 6/1993 Barrett
- 5,294,126 A * 3/1994 Armstrong, III .. A63B 69/0059 473/227
- 6,364,786 B1 4/2002 Khano
- 6,558,302 B2 * 5/2003 Cluff A63B 21/0552 473/229
- D486,198 S 2/2004 Rohan-Weaver
- 7,204,766 B1 4/2007 Rose et al.
- 7,585,228 B2 9/2009 McFarlin et al.
- D634,386 S 3/2011 Ikeda
- D667,069 S * 9/2012 Dandrea D21/791



(56)

References Cited

U.S. PATENT DOCUMENTS

D814,588 S * 4/2018 Watson D21/791
D822,137 S * 7/2018 Oyler D21/791

* cited by examiner

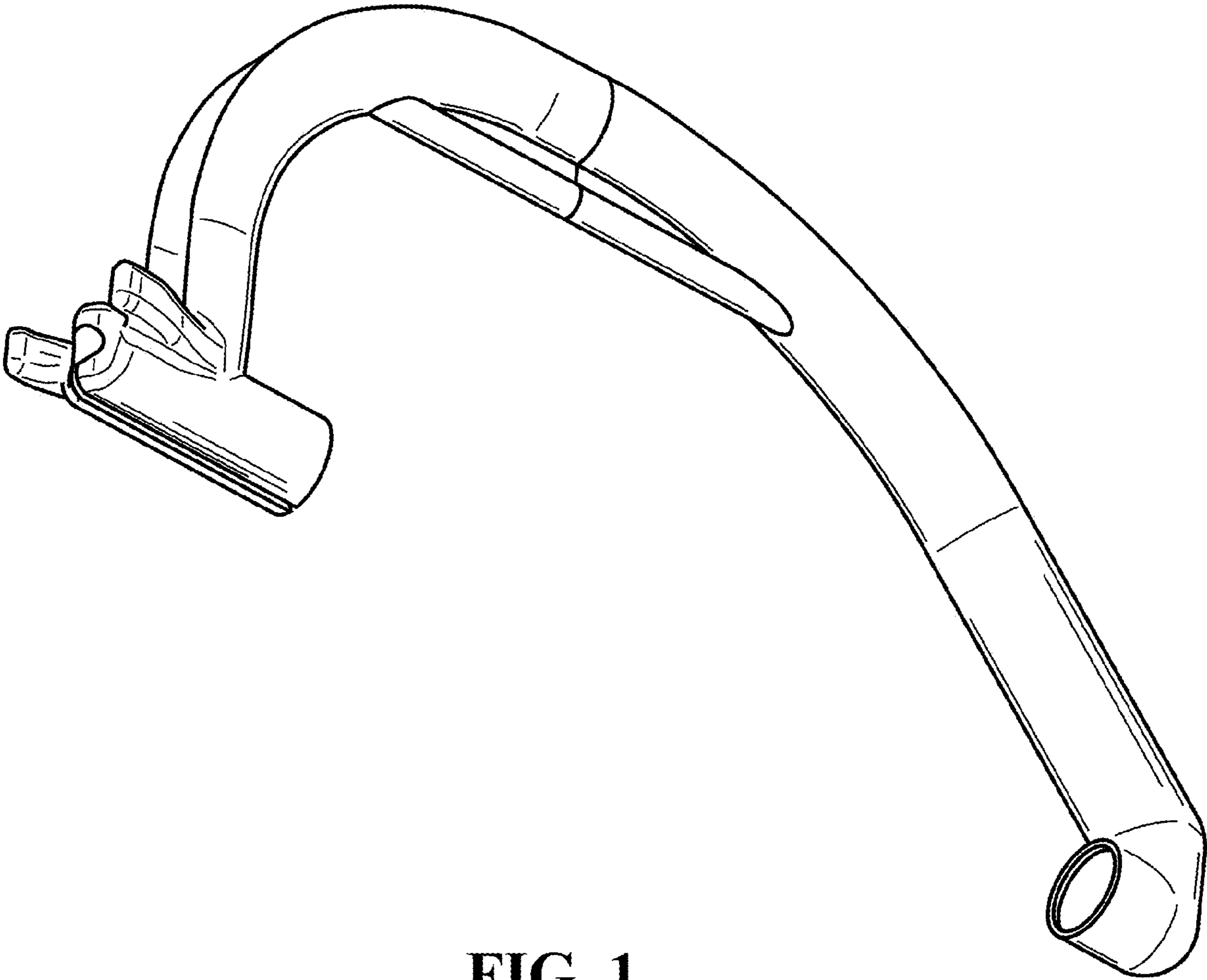


FIG. 1

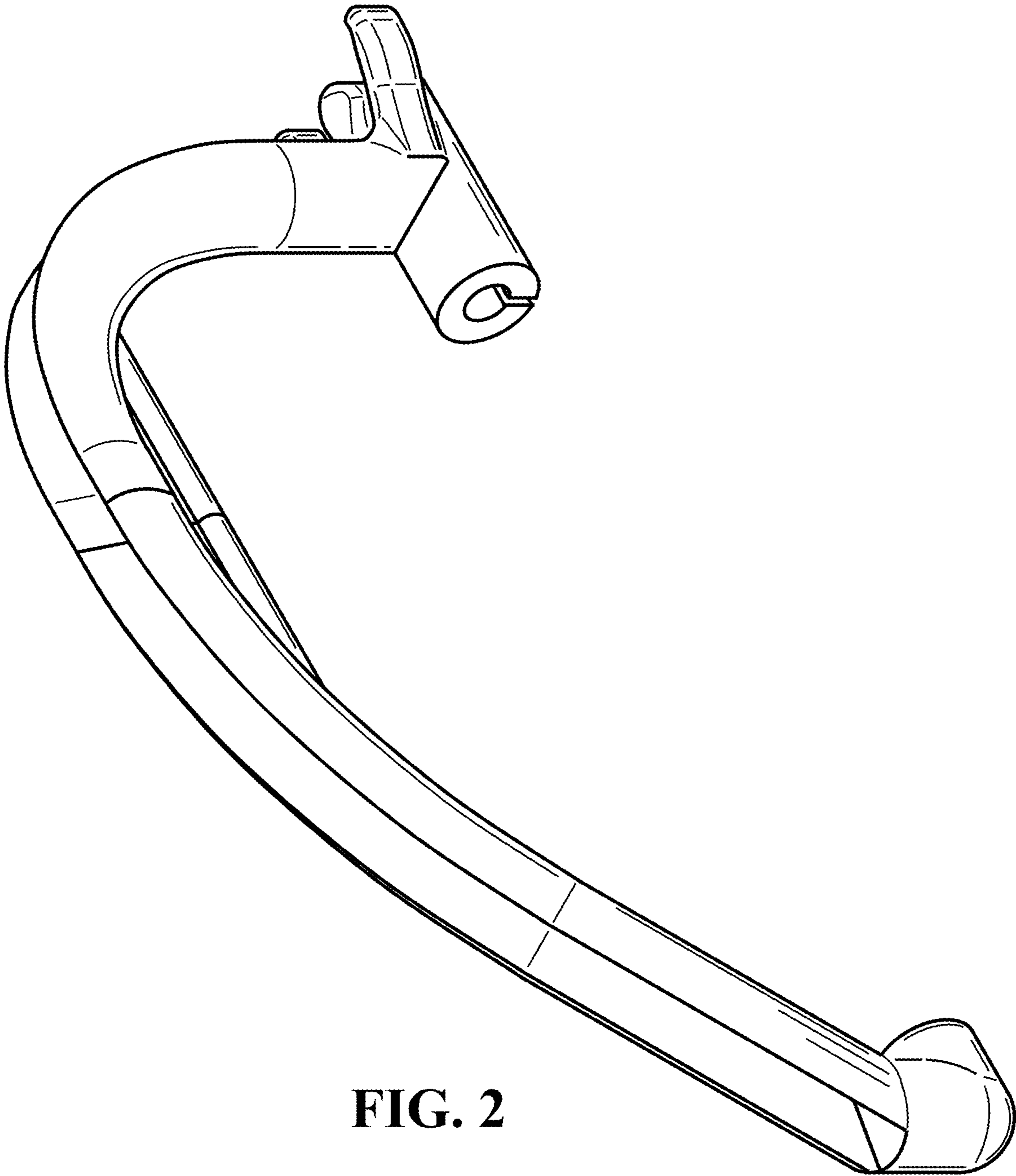


FIG. 2

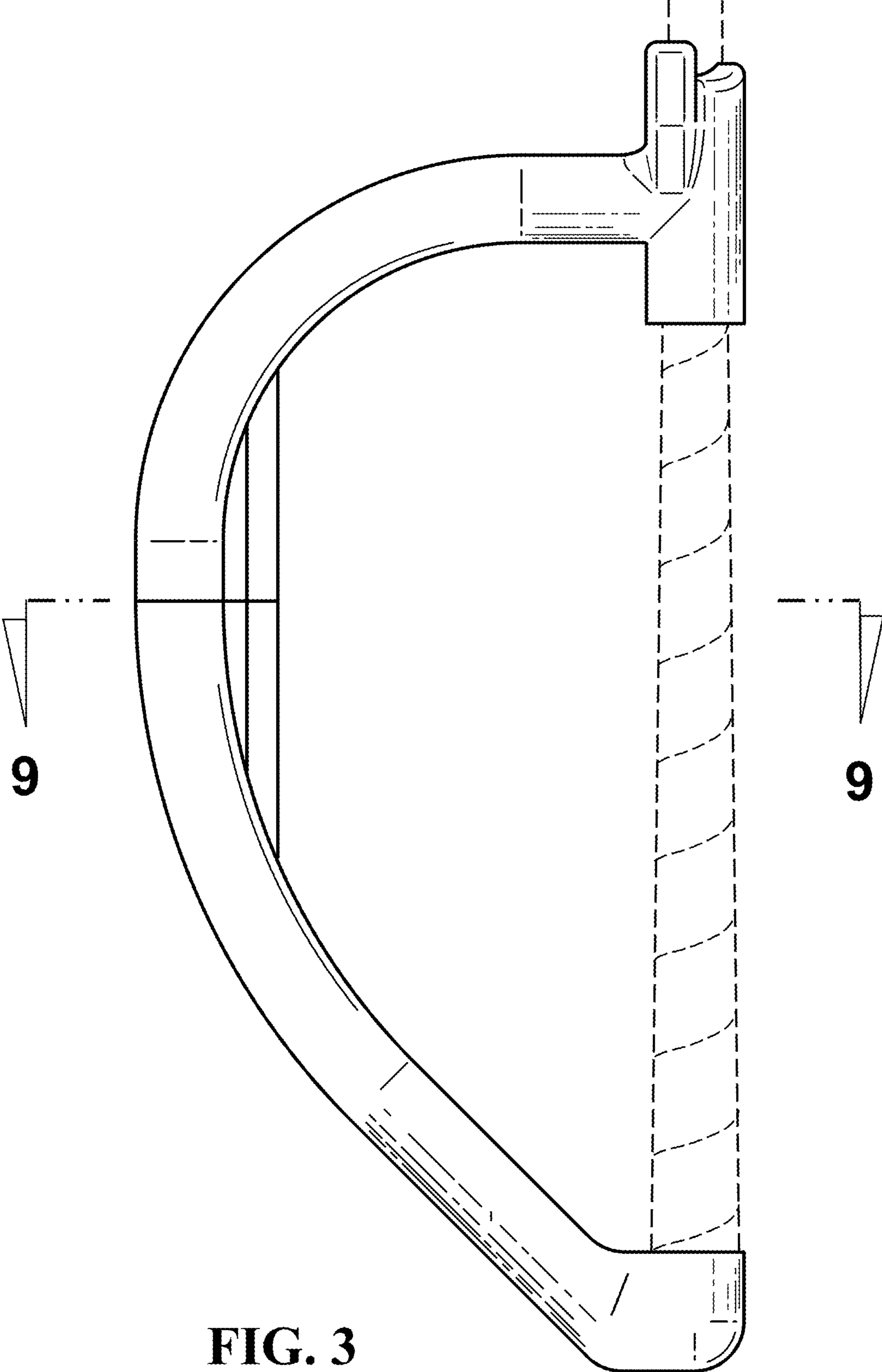


FIG. 3

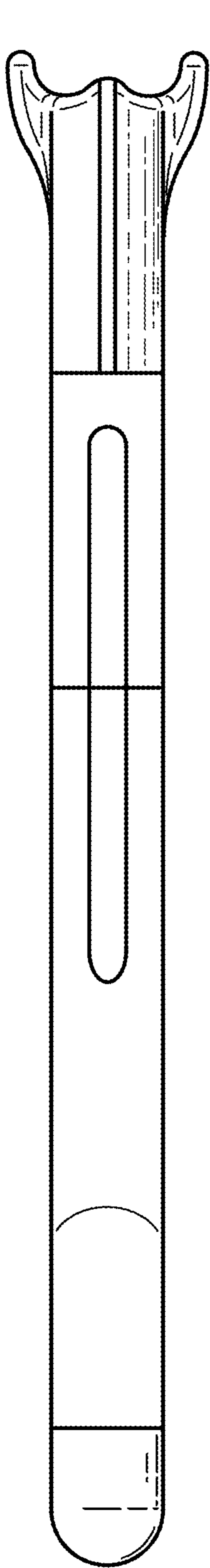


FIG. 4

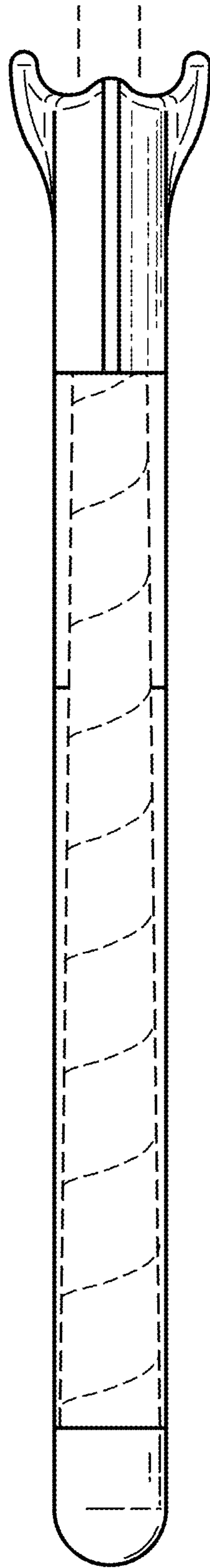


FIG. 5

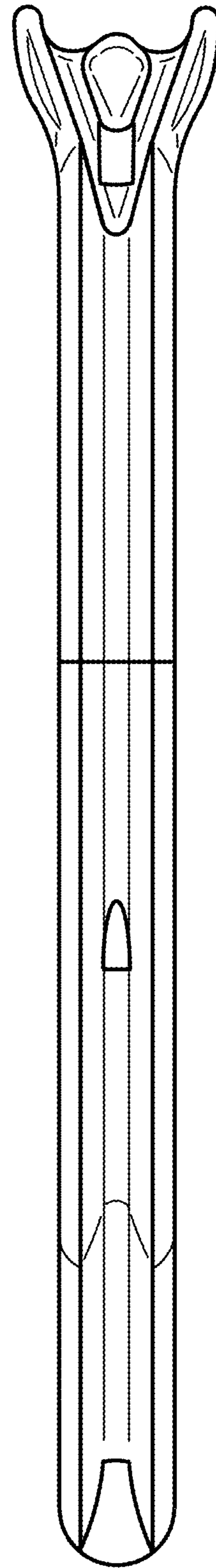


FIG. 6

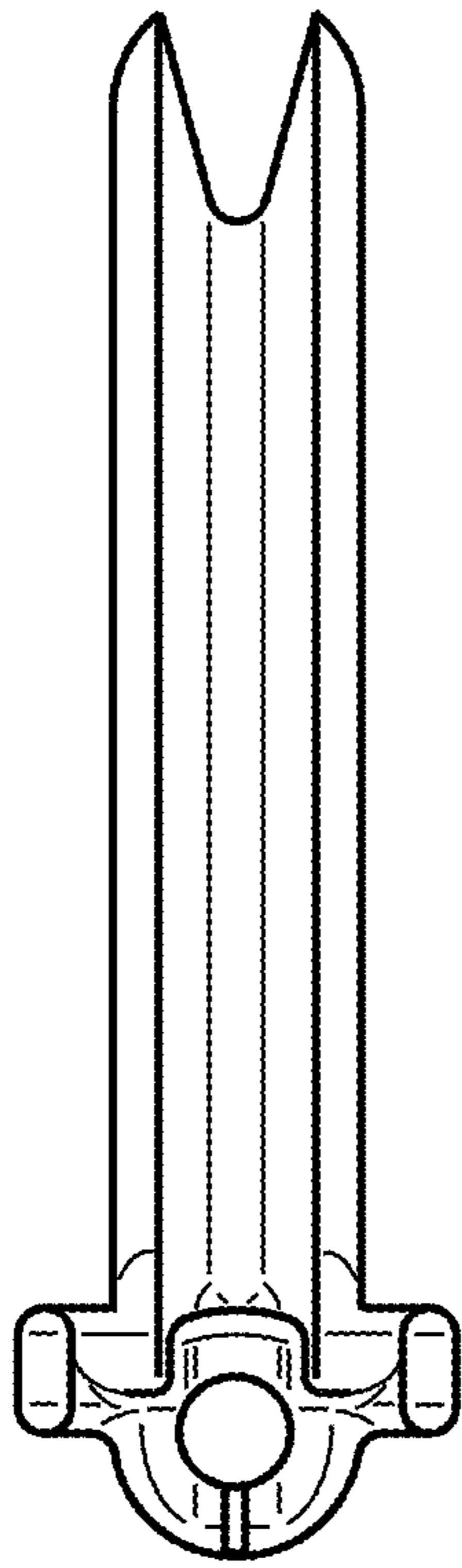


FIG. 7

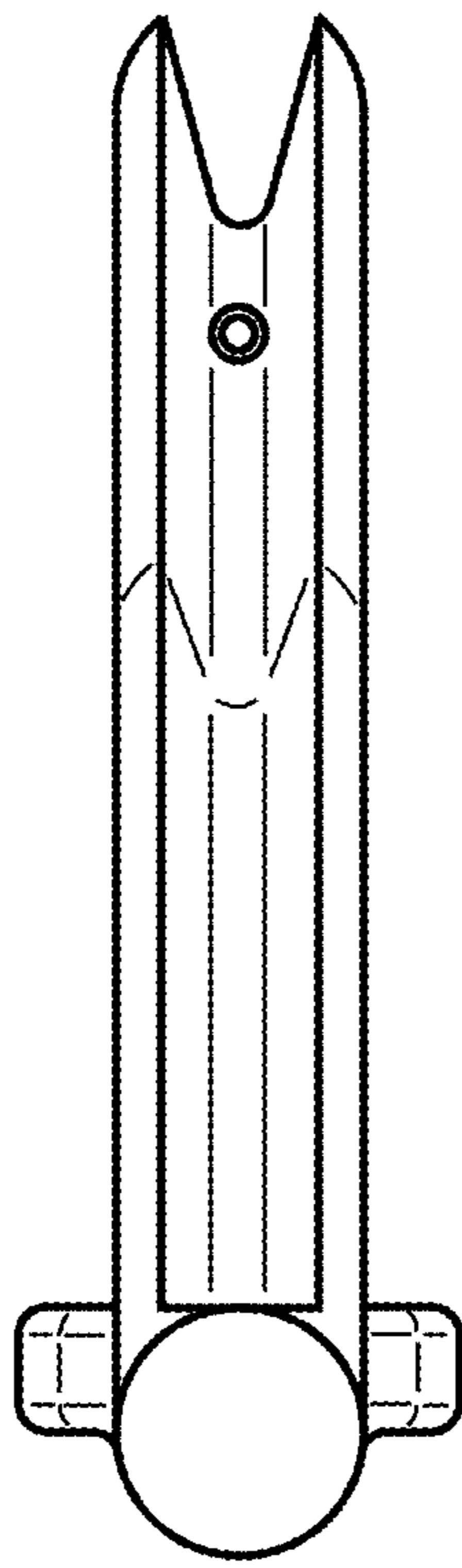


FIG. 8

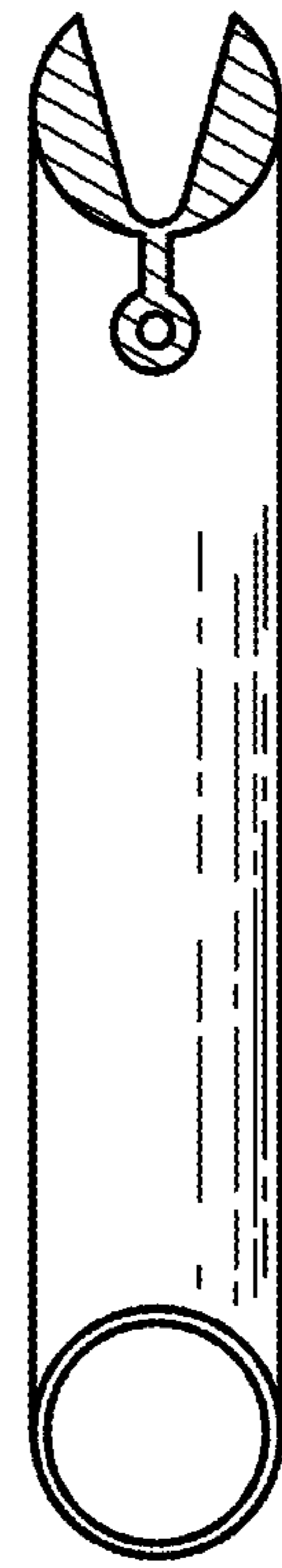


FIG. 9

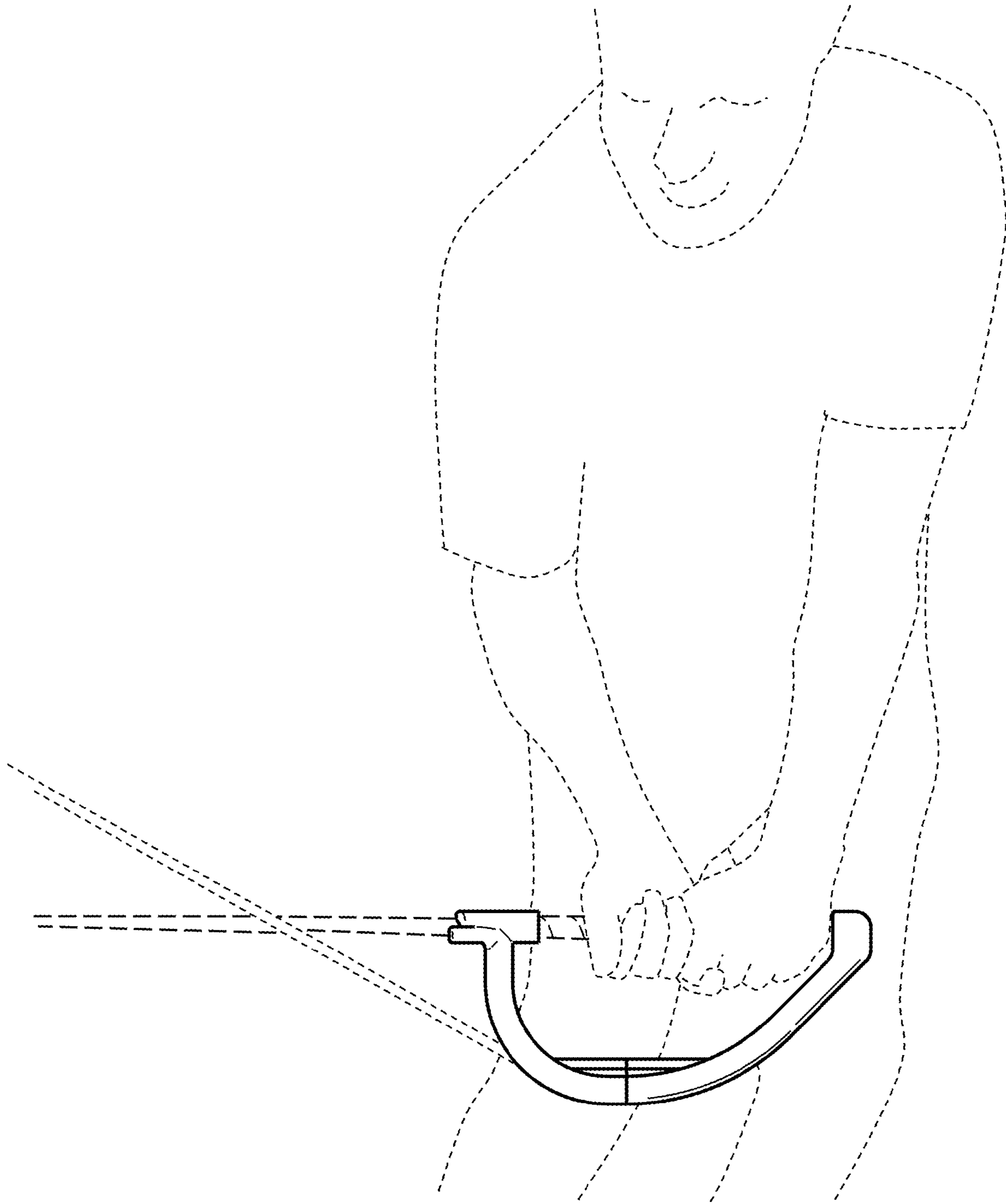


FIG. 10