



US00D937372S

(12) **United States Design Patent** (10) **Patent No.:** **US D937,372 S**
Leier et al. (45) **Date of Patent:** **** Nov. 30, 2021**

(54) **MOBILE DEVICE HOLDER FOR AN EXERCISE DEVICE**

(71) Applicant: **Expectations, LLC**, Bonney Lake, WA (US)

(72) Inventors: **Christopher H. Leier**, Lake Tapps, WA (US); **Nicholas M. Soller**, Edgewood, WA (US); **Darrin M. Swagel**, Minnetonka, MN (US)

(73) Assignee: **Expectations, LLC**, Bonney Lake, WA (US)

(**) Term: **15 Years**

(21) Appl. No.: **29/722,554**

(22) Filed: **Jan. 30, 2020**

(51) **LOC (13) Cl.** **21-02**

(52) **U.S. Cl.**
USPC **D21/694**

(58) **Field of Classification Search**
USPC D21/664, 697, 694, 696, 663, 671, 686, D21/666; D3/201, 215, 218, 226, 269, D3/272, 301, 303; D19/90; D6/553; D14/253, 217, 238.1, 243, 250, 251, 252, D14/434, 440, 447, 496, 203.3, 203.7, D14/248, 240, 341, 342, 343, 344, 345, D14/346, 347

See application file for complete search history.

(56) **References Cited**

U.S. PATENT DOCUMENTS

4,386,721	A *	6/1983	Shimano	B62J 11/00	224/414
D367,065	S *	2/1996	Wu	D14/251	
D406,191	S *	3/1999	Phillips	D3/218	
7,191,924	B2 *	3/2007	Kilmer	B62J 11/00	224/420
D588,655	S *	3/2009	Utykanski	D21/697	
D707,220	S *	6/2014	Belby	D14/253	
D757,631	S *	5/2016	Jamieson	D12/223	

(Continued)

OTHER PUBLICATIONS

Fast 88 elliptical machine, announced 2019 [online], [site visited May 18, 2021]. Available on internet, URL:https://www.amazon.com/dp/B07T24L55B/ref=sspa_dk_detail_9?psc=1&pd_rd_i=B07T24L55Bp13NParams&smid=A32HG4A1WB0WB2&spLa=ZW5jcnlwdGVkUXVhbGlmaWVyPUEwXQkM1WFYzNVNk9TJmVuY3J5cHRIZEikPUEwNjE0OTY2MThEU1WOTdVTDIzWtZlY3Z3aWRnZXROYW1IPXNwX2RldGFpbDlmYWN0aW9uPWNSaWNrUmVkaXJlY3QmZG9Ob3RMb2dDbGljaz10cnVI (Year: 2019).*

(Continued)

Primary Examiner — Khawaja Anwar

Assistant Examiner — Julice Seung Eun Oum

(74) *Attorney, Agent, or Firm* — Dicke, Billig & Czaja, PLLC

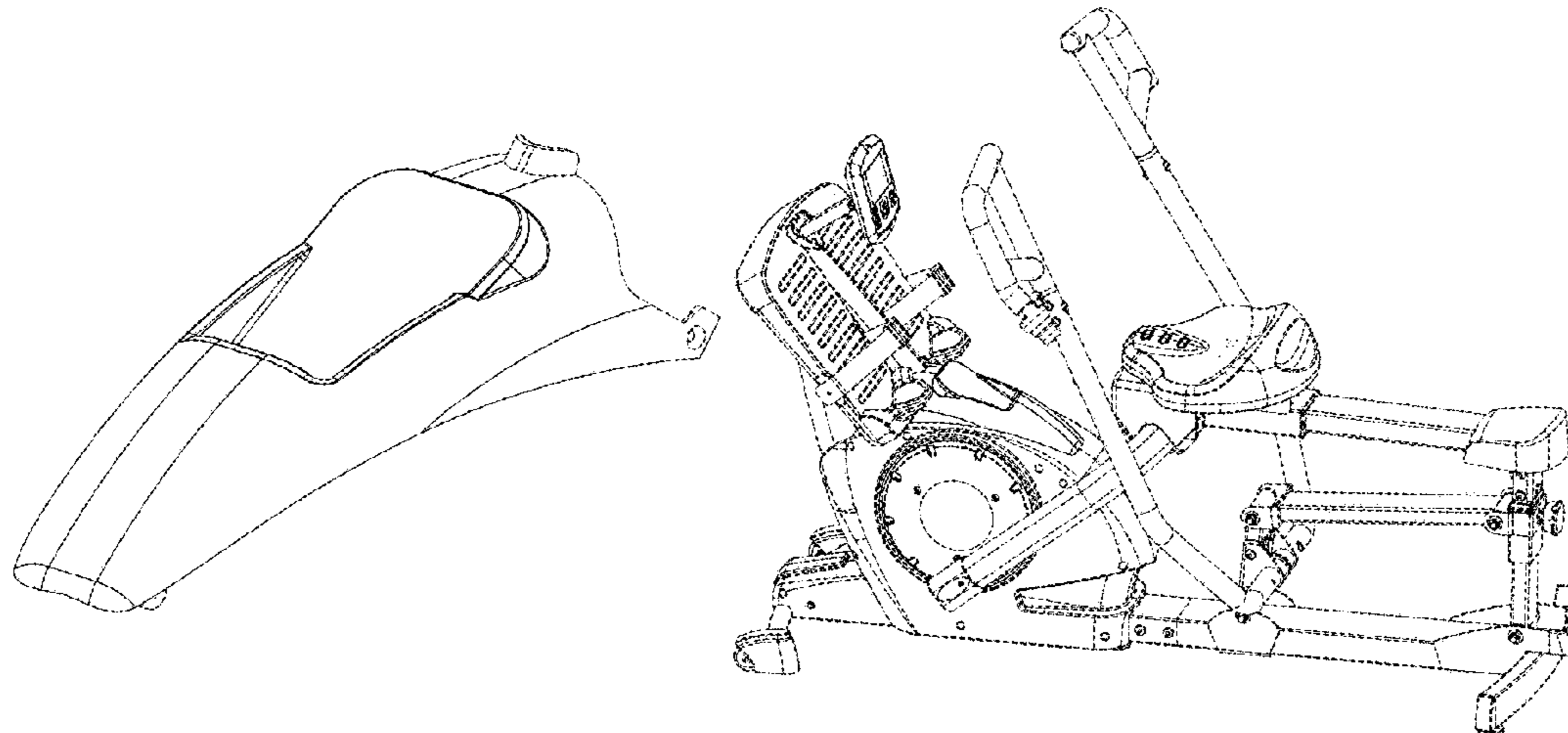
(57) **CLAIM**

The ornamental design for a mobile device holder for an exercise device, as shown and described.

DESCRIPTION

FIG. 1 is a front elevational view of a mobile device holder for an exercise device showing my new design; FIG. 2 is a rear elevational view thereof; FIG. 3 is a left side elevational view thereof; FIG. 4 is a right side elevational view thereof; FIG. 5 is a top plan view thereof; FIG. 6 is a perspective view thereof; and, FIG. 7 is a perspective view thereof on an exercise device. Those portions of the mobile device holder for an exercise device of an exercise device shown in broken lines are included for illustrative purposes only and form no part of the claimed design. Those portions of the exercise device shown in broken lines are included to denote nature and environmental use of the claimed design and form no part of the claimed design.

1 Claim, 7 Drawing Sheets



(56)

References Cited

U.S. PATENT DOCUMENTS

D840,388 S * 2/2019 Wieth D14/251
D886,816 S * 6/2020 Suzuki D14/253
2014/0070576 A1* 3/2014 Wu B62J 1/00
297/214
2016/0176463 A1* 6/2016 McPherson B62J 1/04
297/215.15
2017/0144613 A1* 5/2017 Catlin H04B 1/3877
2019/0205854 A1* 7/2019 Baren G06Q 20/3224

OTHER PUBLICATIONS

Teeter; FreeStep Elliptical Recumbent Cross Trainer Assembly
Instructions & User Guide; 19 pages; 2017.

Teeter; FreeStep Recumbent Cross Trainer screengrab; 5 pages;
accessed Dec. 17, 2019; <https://teeter.com/product/freestep/#specs>.

* cited by examiner

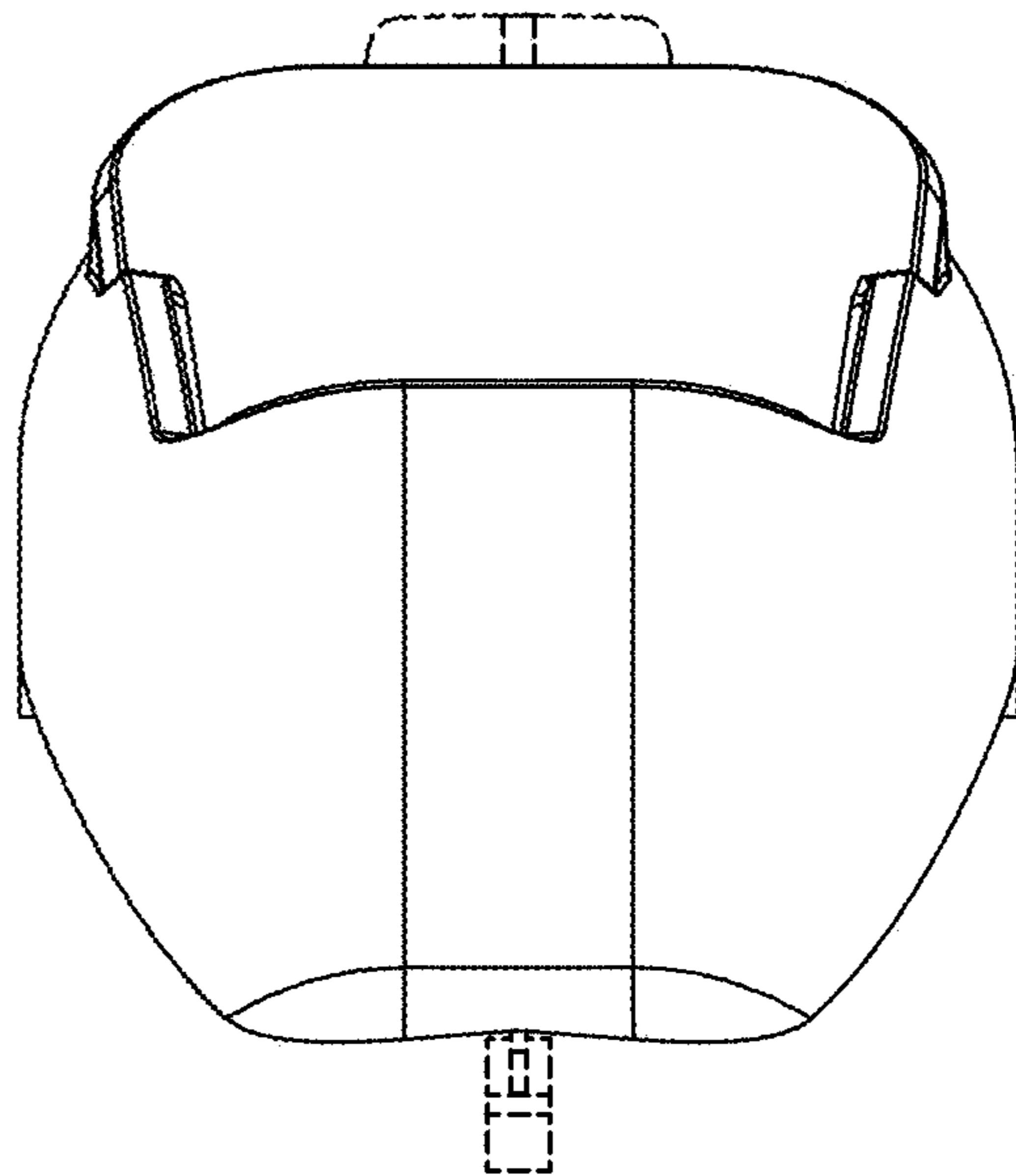


Fig. 1

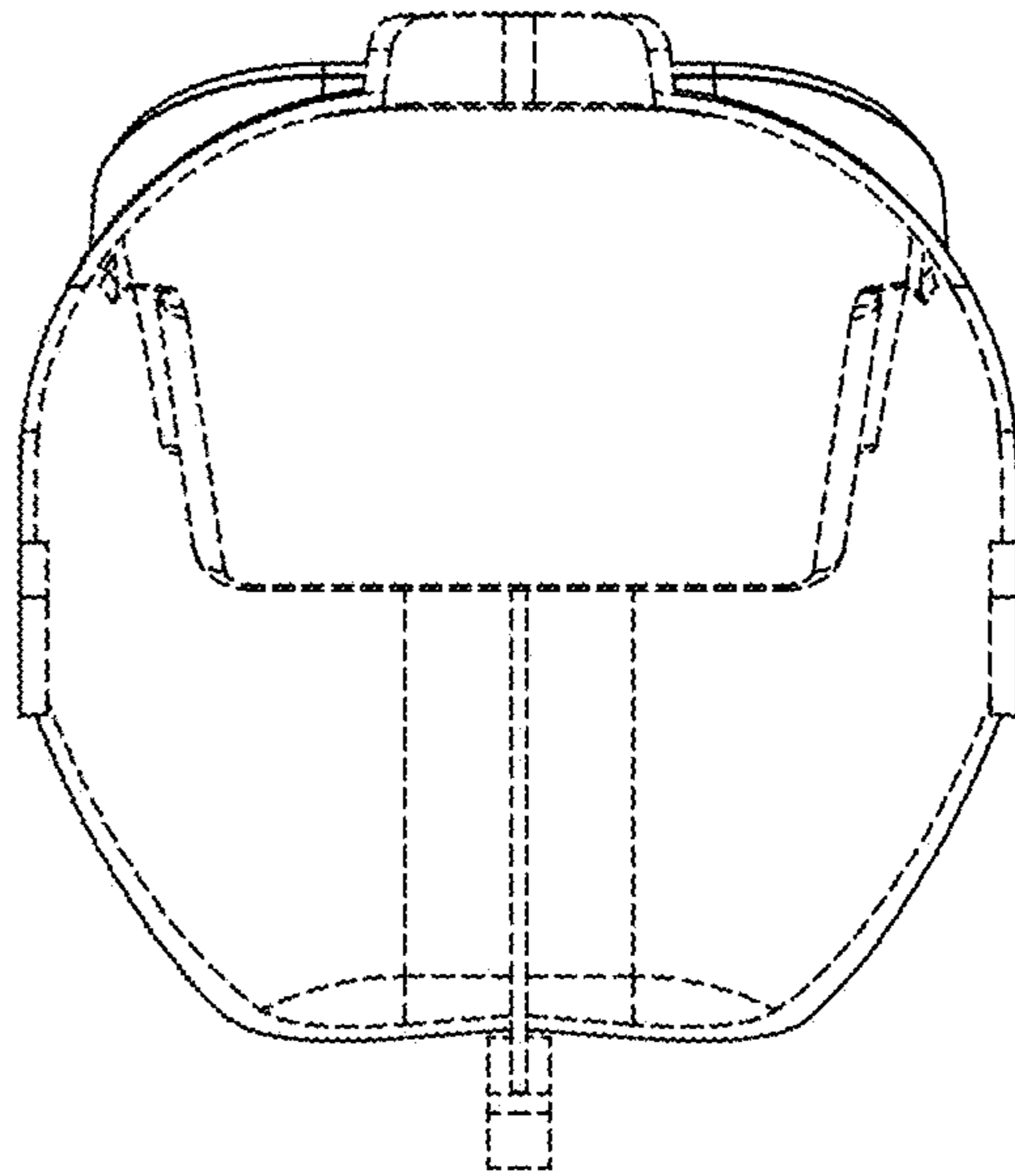


Fig. 2

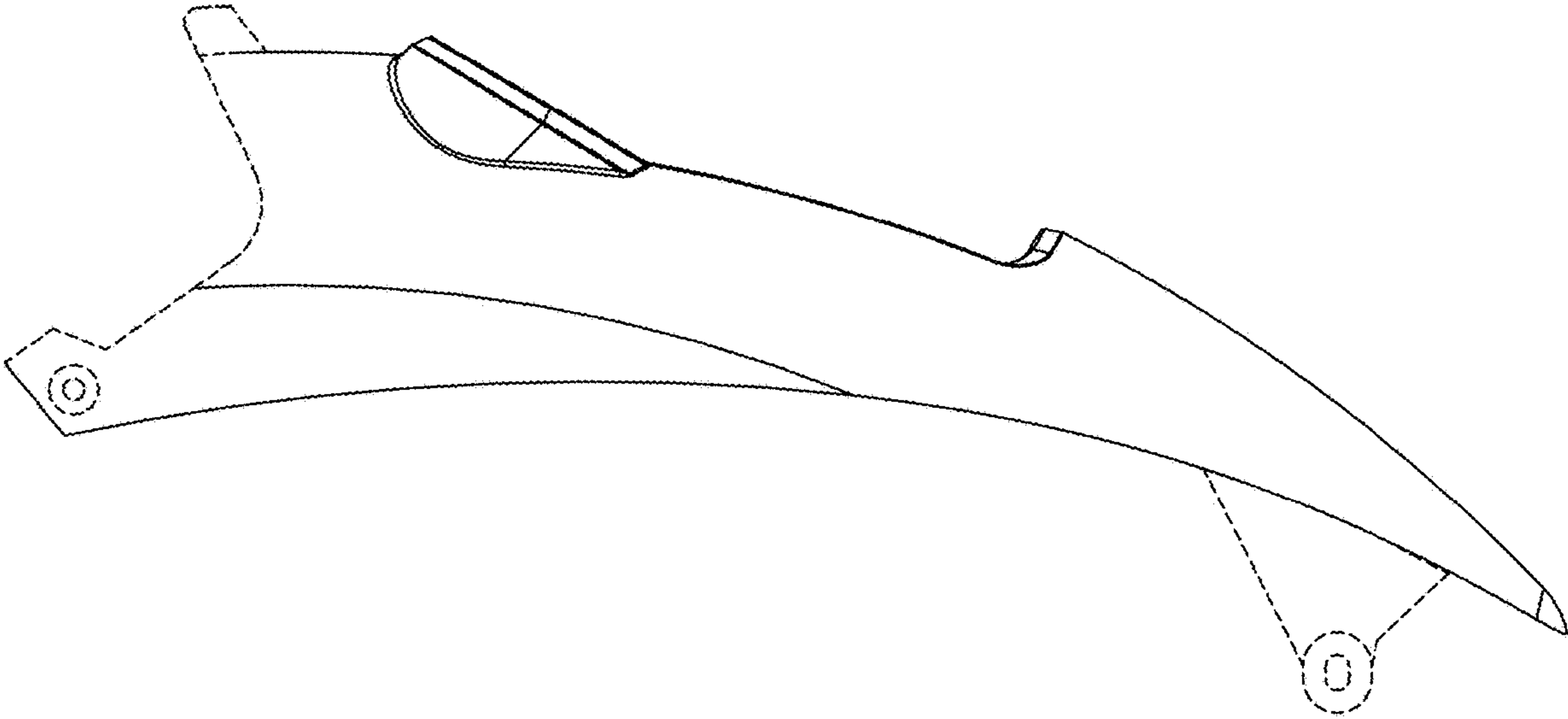


Fig. 3

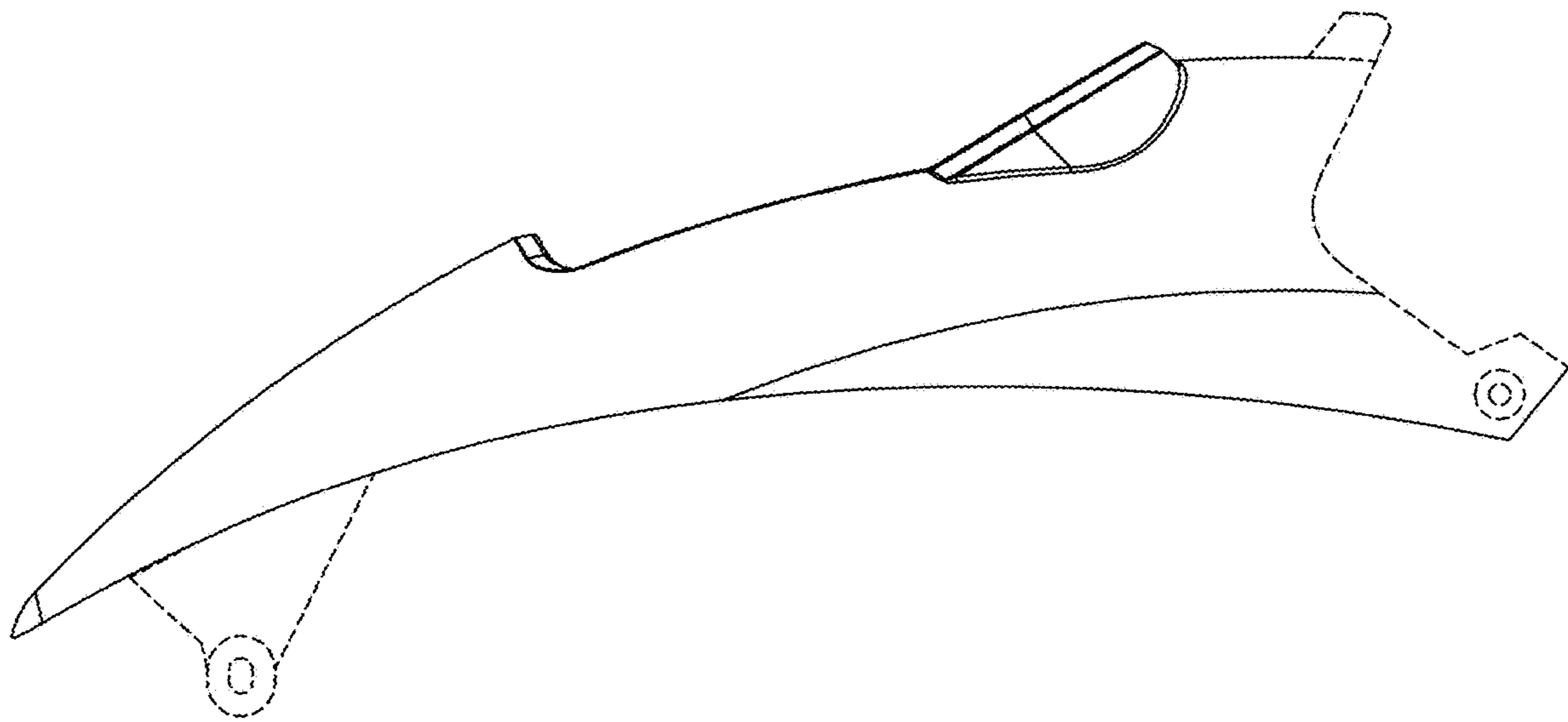


Fig. 4

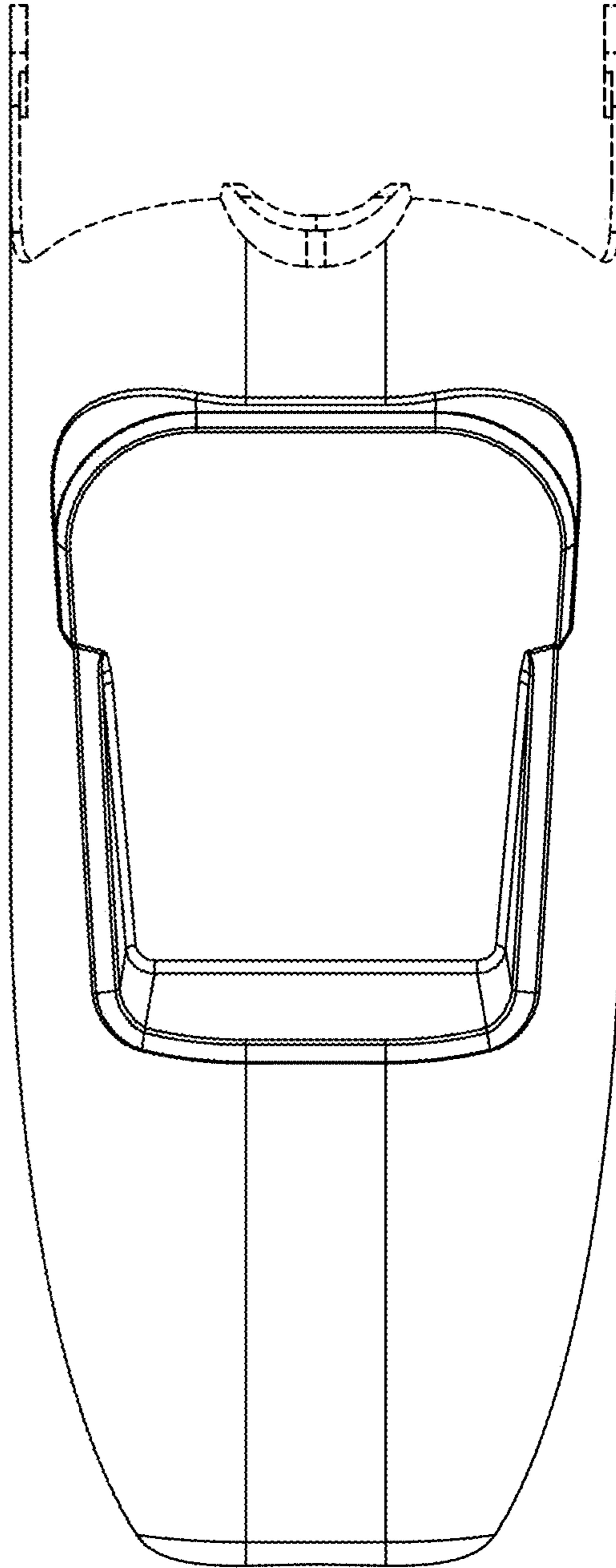


Fig. 5

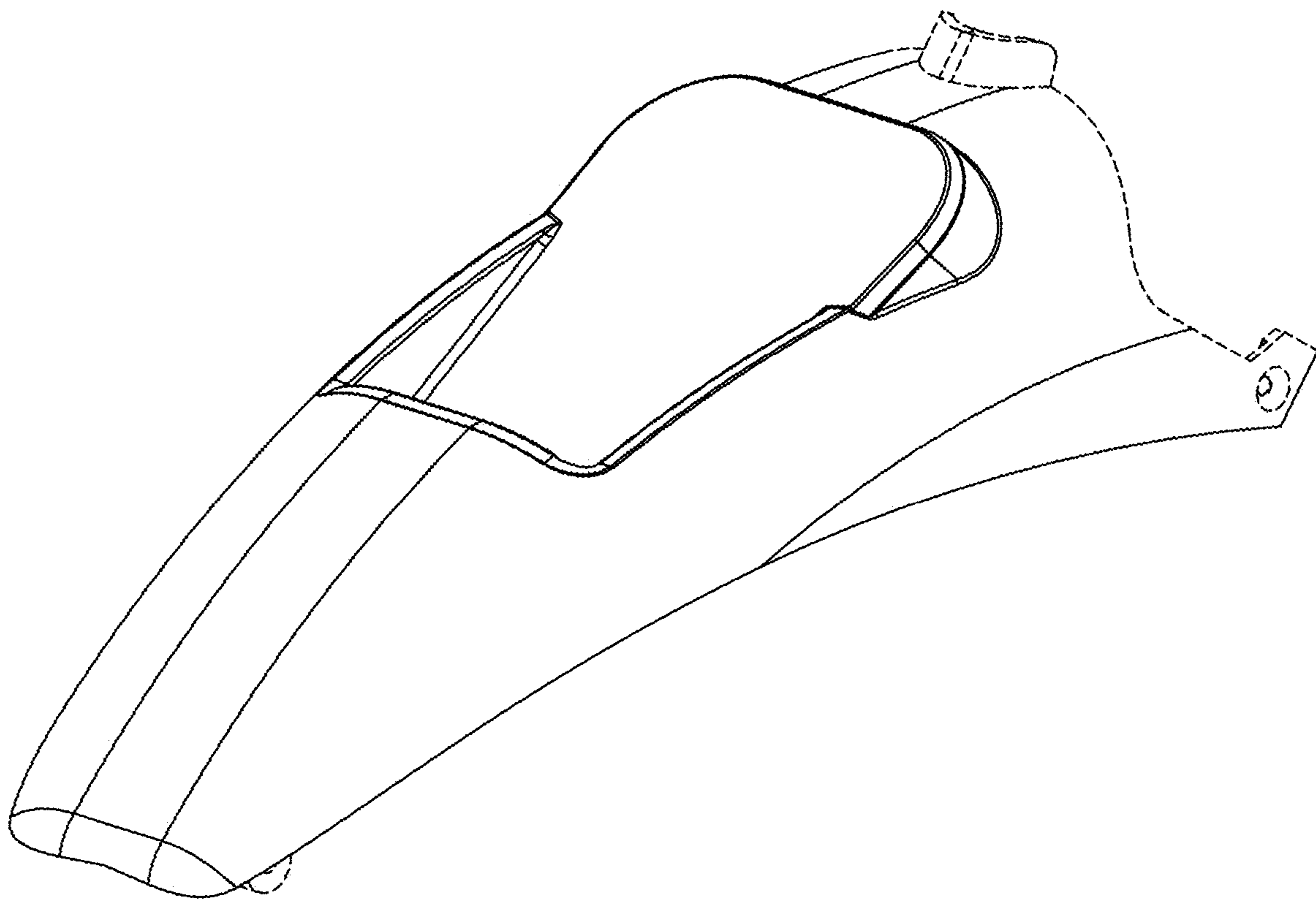


Fig. 6

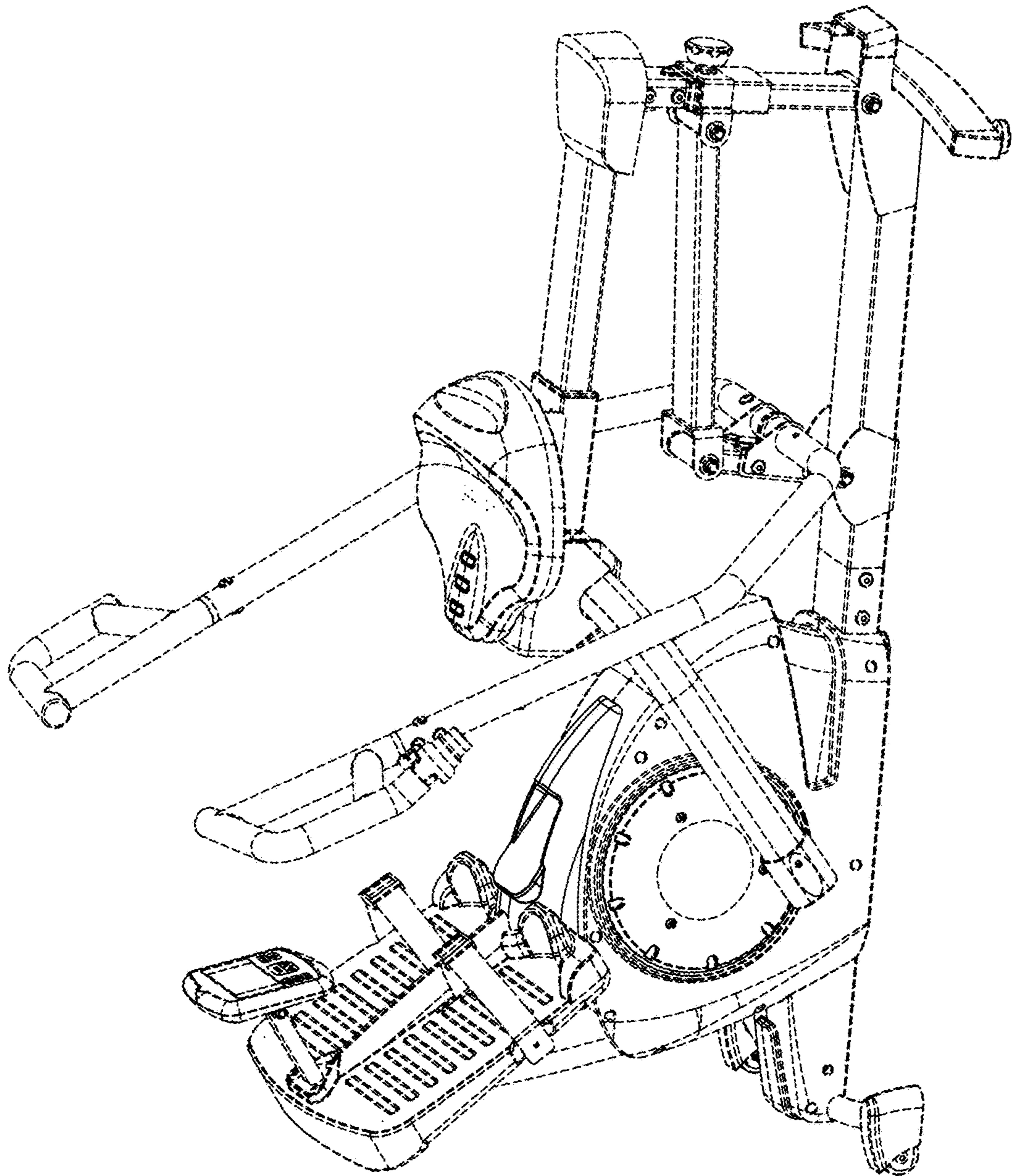


Fig. 7