



US00D937370S

(12) **United States Design Patent** (10) **Patent No.:** **US D937,370 S**  
**Coughlan et al.** (45) **Date of Patent:** **\*\* Nov. 30, 2021**

(54) **BAG**  
(71) Applicant: **Coulter Ventures, LLC.**, Columbus, OH (US)  
(72) Inventors: **Laurie Ann Coughlan**, Hilliard, OH (US); **Steve Slater**, Lancaster, OH (US)  
(73) Assignee: **Coulter Ventures, LLC.**, Columbus, OH (US)  
(\*\*) Term: **15 Years**  
(21) Appl. No.: **29/722,943**  
(22) Filed: **Feb. 3, 2020**  
(51) **LOC (13) Cl.** ..... **21-02**  
(52) **U.S. Cl.**  
USPC ..... **D21/680**  
(58) **Field of Classification Search**  
USPC ..... D3/251, 252, 271.1, 285, 289, 301, 323, D3/229, 232, 233, 254, 269, 273, 316, D3/327; D21/662, 680, 681, 682, 683, D21/798  
See application file for complete search history.

D532,574 S 11/2006 Clark et al.  
D554,373 S 11/2007 Fenton et al.  
D572,477 S \* 7/2008 Young ..... D3/271.1  
D592,854 S 5/2009 Gonzalez  
D601,795 S \* 10/2009 Chen ..... D3/254  
D613,940 S \* 4/2010 Colwell ..... D3/204  
(Continued)

**OTHER PUBLICATIONS**

Ludus Imperium Strongman sandbag, Heavy Duty Workout sandbags for Training, Fitness, cross-training & Exercise, Workouts, Sandbag Weights; (<[https://www.amazon.co.uk/Ludus-Imperium-Strongman-Sandbags-Cross-training/dp/B07F1YP89Y/ref=sr\\_1\\_5?dchild=1&keywords=rogue%2Bcyclone%2Bsandbag&qid=1616886133&sr=8-5&th=1](https://www.amazon.co.uk/Ludus-Imperium-Strongman-Sandbags-Cross-training/dp/B07F1YP89Y/ref=sr_1_5?dchild=1&keywords=rogue%2Bcyclone%2Bsandbag&qid=1616886133&sr=8-5&th=1)>), access date Apr. 30, 2021.  
(Continued)

*Primary Examiner* — Khawaja Anwar  
*Assistant Examiner* — Julice Seung Eun Oum  
(74) *Attorney, Agent, or Firm* — Banner & Witcoff, Ltd.

(57) **CLAIM**

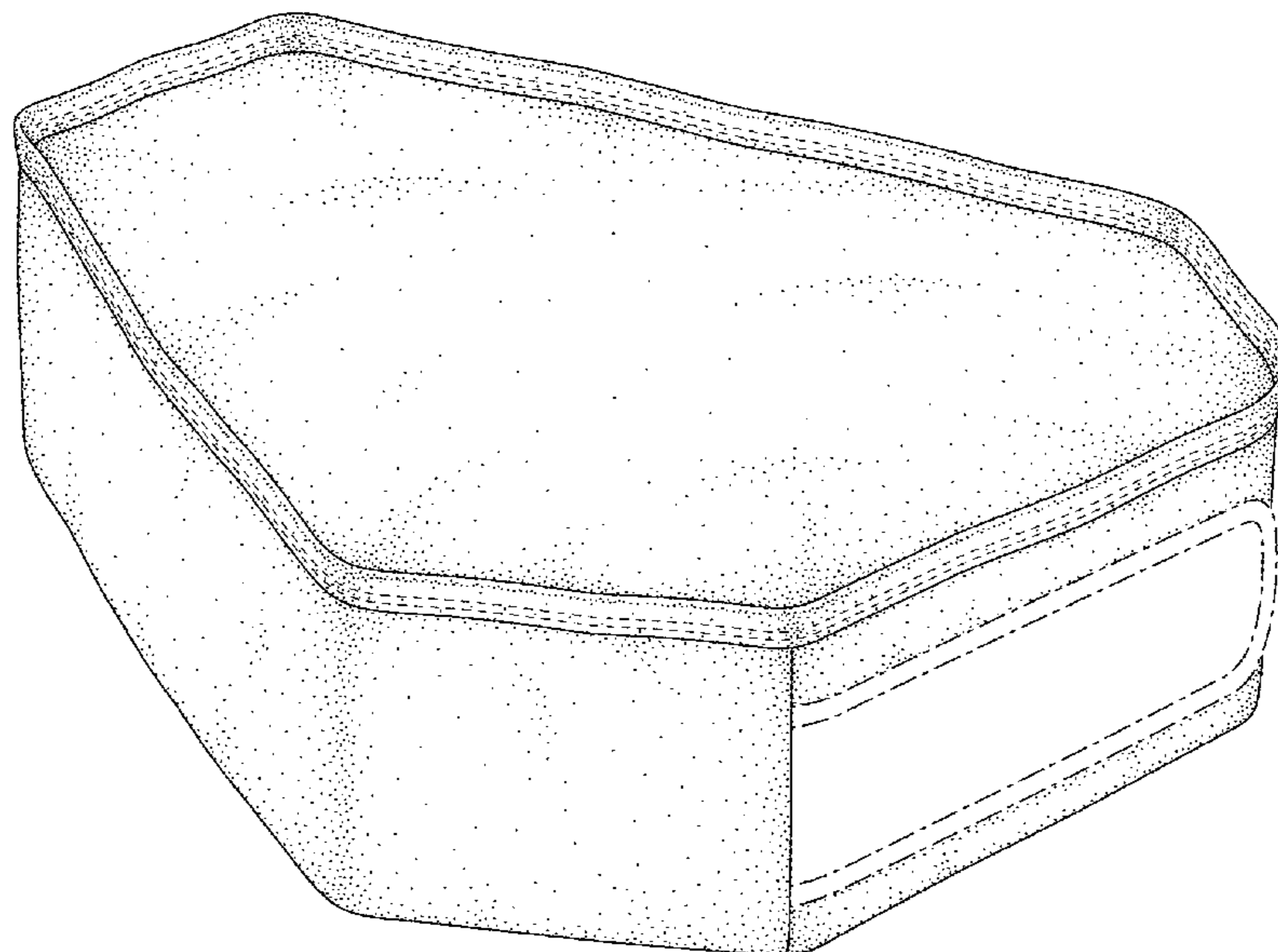
The ornamental design for a bag, as shown and described.

**DESCRIPTION**

FIG. 1 is a top, front, right perspective view of a bag showing our new design;  
FIG. 2 is a front view thereof;  
FIG. 3 is a rear view thereof;  
FIG. 4 is a left side view thereof;  
FIG. 5 is a right side view thereof;  
FIG. 6 is a top view thereof; and,  
FIG. 7 is a bottom view thereof.  
The even-length broken lines within the claimed areas represents stitching. The uneven-length broken lines depicting the remainder of the bag show features that form no part of the claimed design.

**1 Claim, 5 Drawing Sheets**

(56) **References Cited**  
**U.S. PATENT DOCUMENTS**  
2,616,467 A 11/1952 Cicero  
D262,690 S 1/1982 Berry et al.  
4,527,796 A 7/1985 Critelli  
4,802,344 A 2/1989 Livingston et al.  
5,413,199 A 5/1995 Clement  
5,417,635 A 5/1995 Sell  
D372,858 S 8/1996 Sunley  
D395,751 S 7/1998 Dominique et al.  
6,186,662 B1 2/2001 Jackson  
6,217,489 B1 4/2001 Nicholson  
6,581,736 B1 6/2003 Scicluna  
D492,115 S 6/2004 Bertelsen et al.  
D516,307 S 3/2006 Koenig et al.  
D526,785 S 8/2006 Brassat



(56)

References Cited

U.S. PATENT DOCUMENTS

D617,560	S	6/2010	Wu	
D632,010	S *	2/2011	Staiano	D27/189
D636,184	S	4/2011	Scicluna et al.	
D656,327	S *	3/2012	Metcalf	D6/349
8,276,351	B1	10/2012	Henkin	
D672,141	S *	12/2012	Harbinson	D3/232
D672,414	S	12/2012	Januszek	
D696,514	S *	12/2013	McAdam	D3/271.1
D696,735	S	12/2013	Jaidar	
8,622,877	B2	1/2014	Raines et al.	
D707,062	S	6/2014	Fraioli	
D721,236	S *	1/2015	Nikolajsen	D6/349
D726,842	S	4/2015	Ross	
9,320,938	B1	4/2016	Belmore	
D760,495	S	7/2016	Baram	
9,616,272	B1	4/2017	Bennett	
D792,531	S	7/2017	Bossier	
D799,210	S *	10/2017	Pactanac	D3/254
9,820,514	B2	11/2017	Nykoluk	
D806,186	S	12/2017	Catania	
9,914,002	B2	3/2018	Stroup	
D814,180	S	4/2018	Morelli	
10,149,997	B1	12/2018	Henniger et al.	
10,343,009	B2	7/2019	Peyton	
10,350,474	B1	7/2019	Magrino et al.	
D864,573	S	10/2019	Jones	
D865,354	S	11/2019	Magrino et al.	
D868,182	S	11/2019	Catania	
D871,072	S	12/2019	Coughlan et al.	
D885,498	S	5/2020	Pecqueur	
D903,346	S *	12/2020	Rottet	D6/349
10,864,982	B2	12/2020	Haas	
D916,460	S *	4/2021	Xu	D3/273
2006/0137950	A1	6/2006	Nassanian	
2010/0022361	A1	1/2010	Raines et al.	
2011/0287904	A1	11/2011	Morris	
2012/0149536	A1	6/2012	Trimble et al.	
2012/0184418	A1	7/2012	Wilson	
2014/0011643	A1	1/2014	Jaidar	
2015/0182777	A1	7/2015	Rarity, IV	
2016/0129292	A1	5/2016	Stroup	
2019/0269956	A1	9/2019	Henniger et al.	

OTHER PUBLICATIONS

Rogue Cyclone Sandbags, (<https://www.roguefitness.com/rogue-cyclone-strongman-sandbags>), Available 2018.

Just Launched. Rogue Cyclone Strongman Sandbags & Rogue Fanny Pack!; <https://emailtuna.com/roguefitness.com/106880>, dated Feb. 16, 2018.

Product listing for Rogue Sandbags from <<http://web.archive.org/web/20190202190945/https://www.roguefitness.com/rogue-sandbags>>, dated Aug. 6, 2015.

Product listing for Rogue Strongman Sandbags 100LBS-400LBS from <http://web.archive.org/web/20210212005140/https://www.roguefitness.com/rogue-strongman-sandbags>, dated Feb. 12, 2021.

Product listing for Rogue Strongman Sandbags from <https://web.archive.org/web/20160812070131/https://www.roguefitness.com/rogue-strongman-sandbags>, dated Aug. 12, 2016.

Photos of shoulder carry bag available at <https://www.roguefitness.com/rogue-feed-sack>, dated Sep. 21, 2018, product available at least as early as Jul. 27, 2014.

Photos of Rogue Sandbags available at <https://www.roguefitness.com/rogue-sandbags>, dated Sep. 21, 2018, product available at least as early as Apr. 12, 2016.

Product listing for Rogue Sandbags from <http://web.archive.org/web/20160412084703/http://www.roguefitness.com:80/rogue-sandbags> dated Apr. 12, 2016.

Product listing for Wreck Bag from <https://www.roguefitness.com/wreck-bag>, dated Sep. 21, 2018, product available at least as early as Aug. 13, 2016.

Product listing for Wreck Bag Mini from <https://www.roguefitness.com/wreck-bag-mini>, dated Sep. 21, 2018, product available at least as early as Dec. 13, 2016.

Product listing for StrongFit Classic Sandbags from <https://www.roguefitness.com/strongfit-classic-sandbags>, dated Sep. 21, 2018, product available at least as early as Aug. 13, 2016.

Web page from <https://web.archive.org/web/20160808024400/http://www.roguefitness.com:80/conditioning/strength-equipment/sandbags>, dated Aug. 8, 2016.

Product listing for Rogue Tactical Sandbags from <https://web.archive.org/web/20150331060530/http://www.roguefitness.com:80/tactical-sandbags>, dated Mar. 31, 2015.

Photos of product taken Sep. 20, 2018, product known to be available earlier than Aug. 13, 2016.

Feb. 5, 2019—(WO) International Search Report and Written Opinion—App PCT/US2018/046716.

“2017 Arnold Strongman Classic—Weight Over Bar/4K” (Rogue Fitness) Mar. 6, 2017 (Mar. 6, 2017) [online] retrieved from <URL: <https://www.youtube.com/watch?v=tJUa5qIMoA>> entire document, especially demonstration 0:25-0:34, 4:50.

“Rogue Sandbags” (Rogue Fitness) Jun. 20, 2017 (Jun. 20, 2017) [online] retrieved from <URL: <http://www.roguecanada.ca:80/rogue-sandbags>>entire document.

Product listing for Rogue Strongman Throw Bag from <<https://www.roguefitness.com/rogue-strongman-throwbag>>, dated Mar. 29, 2020, product disclosed at least as early as May 30, 2018.

Product listing for Rogue Cyclone Strongman Sandbags from <<https://www.roguefitness.com/rogue-cyclone-strongman-sandbags>>, dated Mar. 29, 2020, product disclosed at least as early as Mar. 16, 2018.

Product listing for Rogue Feed Sack from <<https://www.roguefitness.com/rogue-feed-sack>>, dated Mar. 29, 2020, product disclosed at least as early as May 16, 2018.

\* cited by examiner



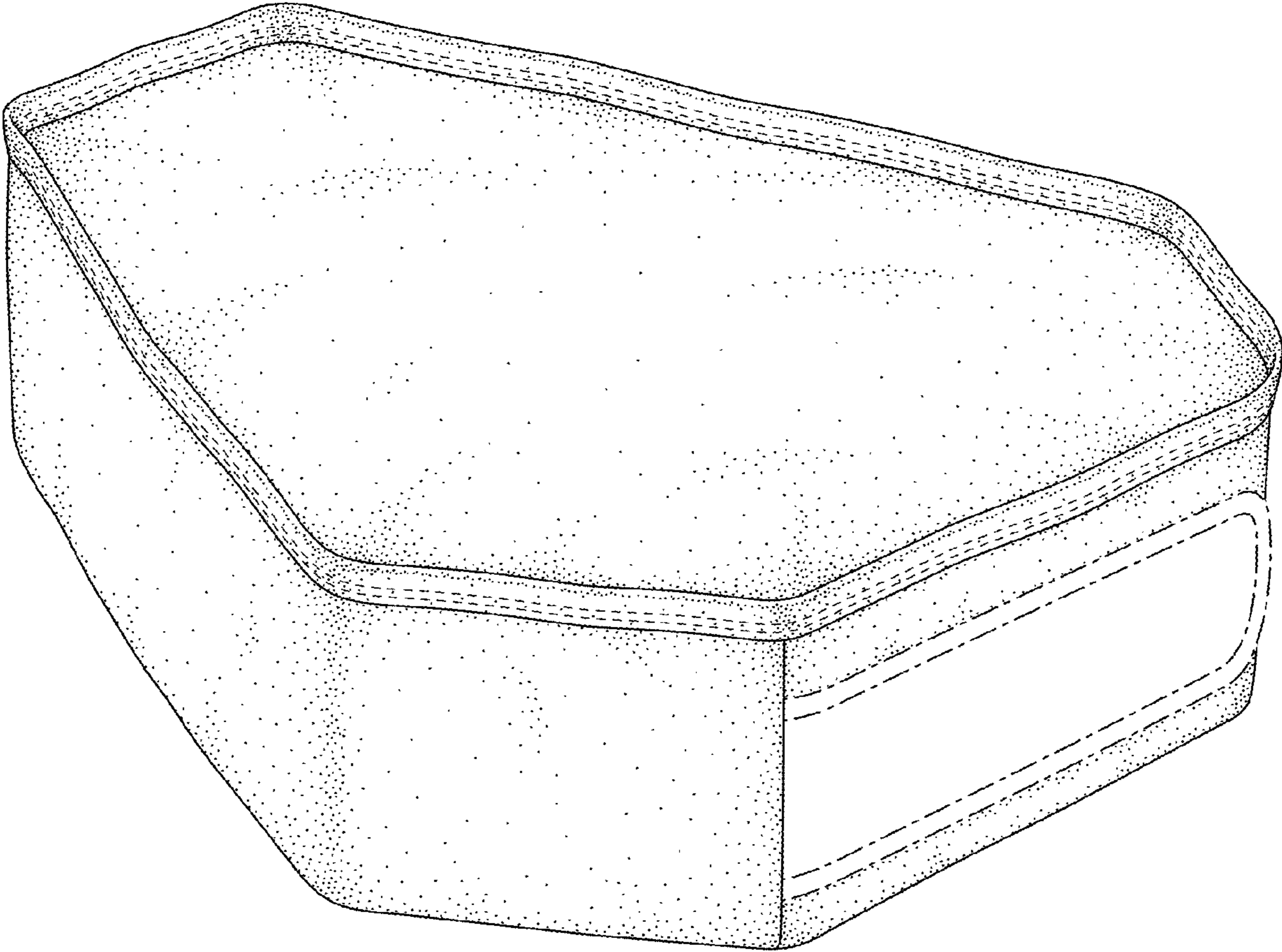


FIG. 1

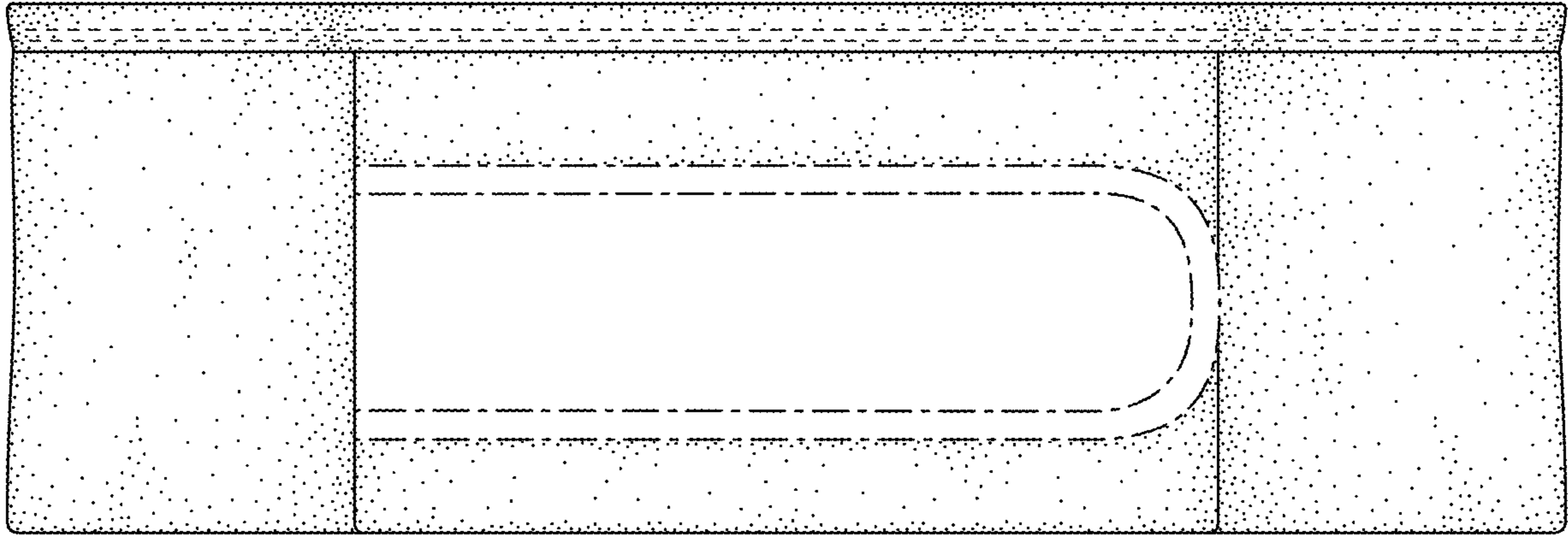


FIG. 2

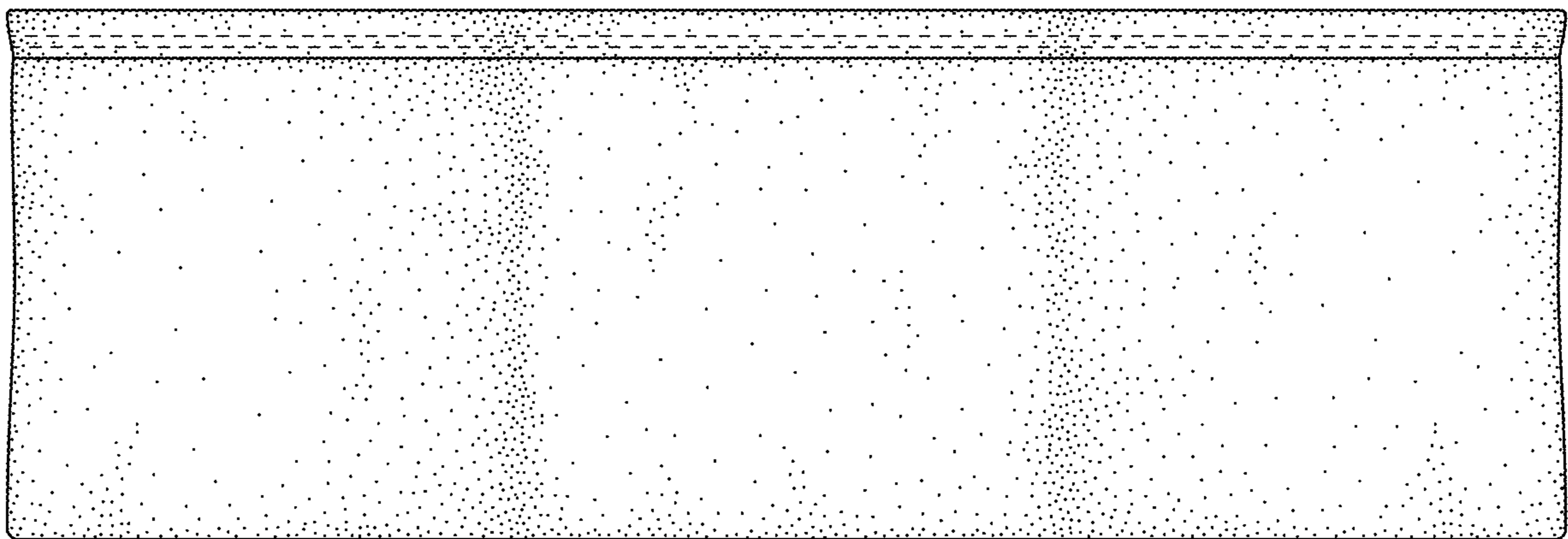


FIG. 3

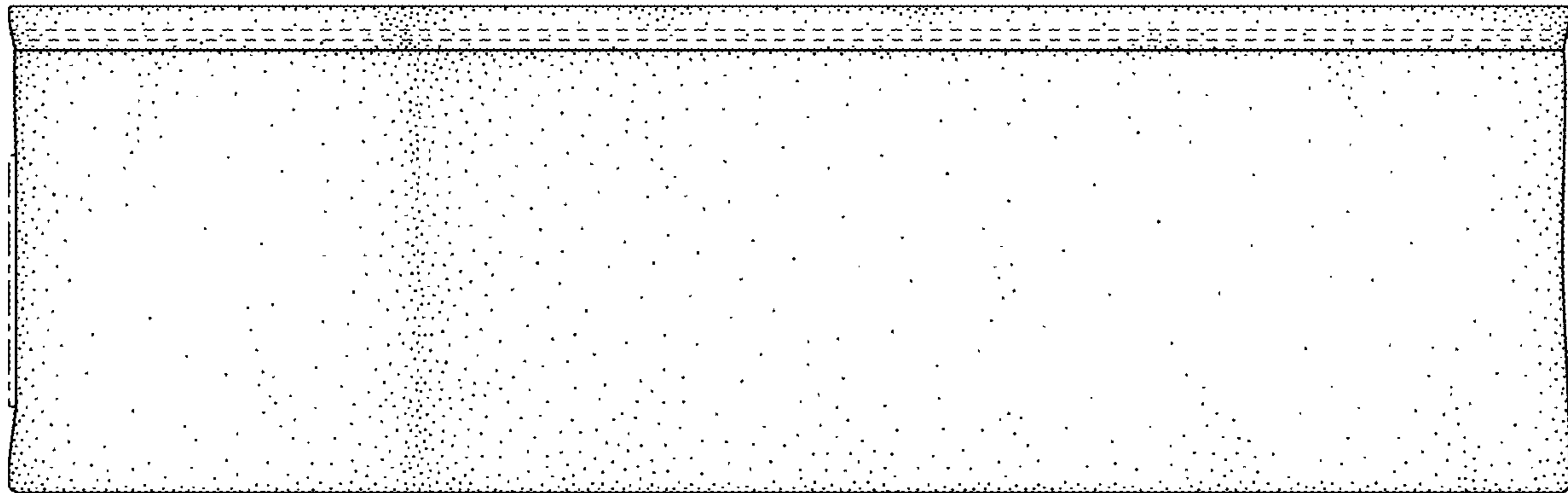


FIG. 4

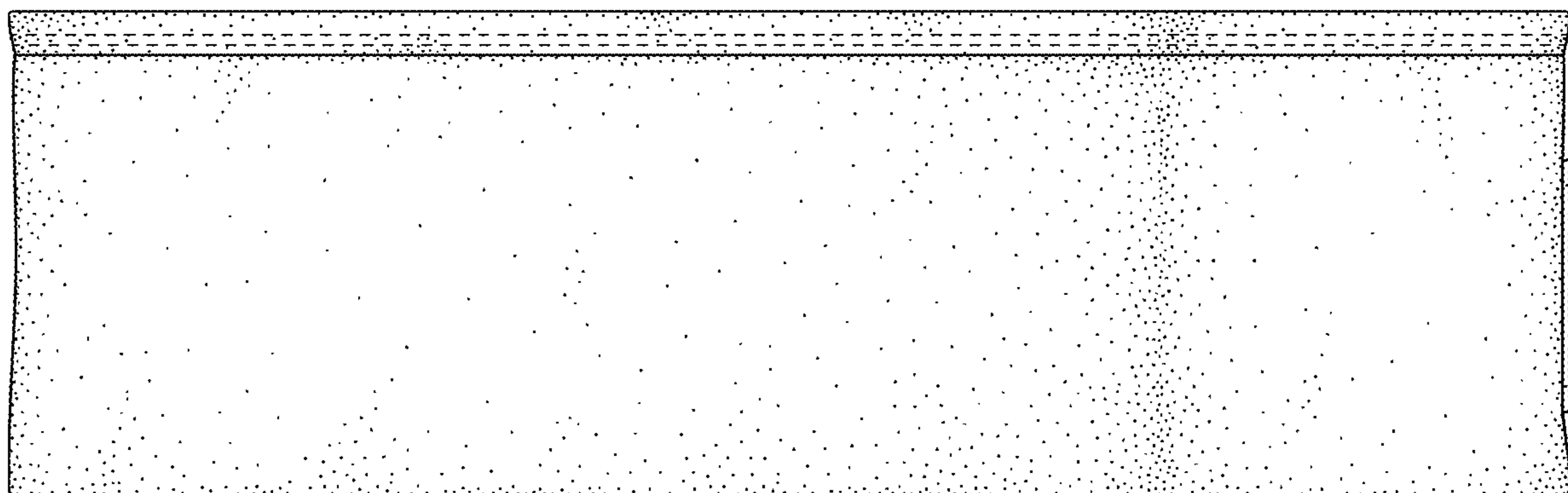


FIG. 5

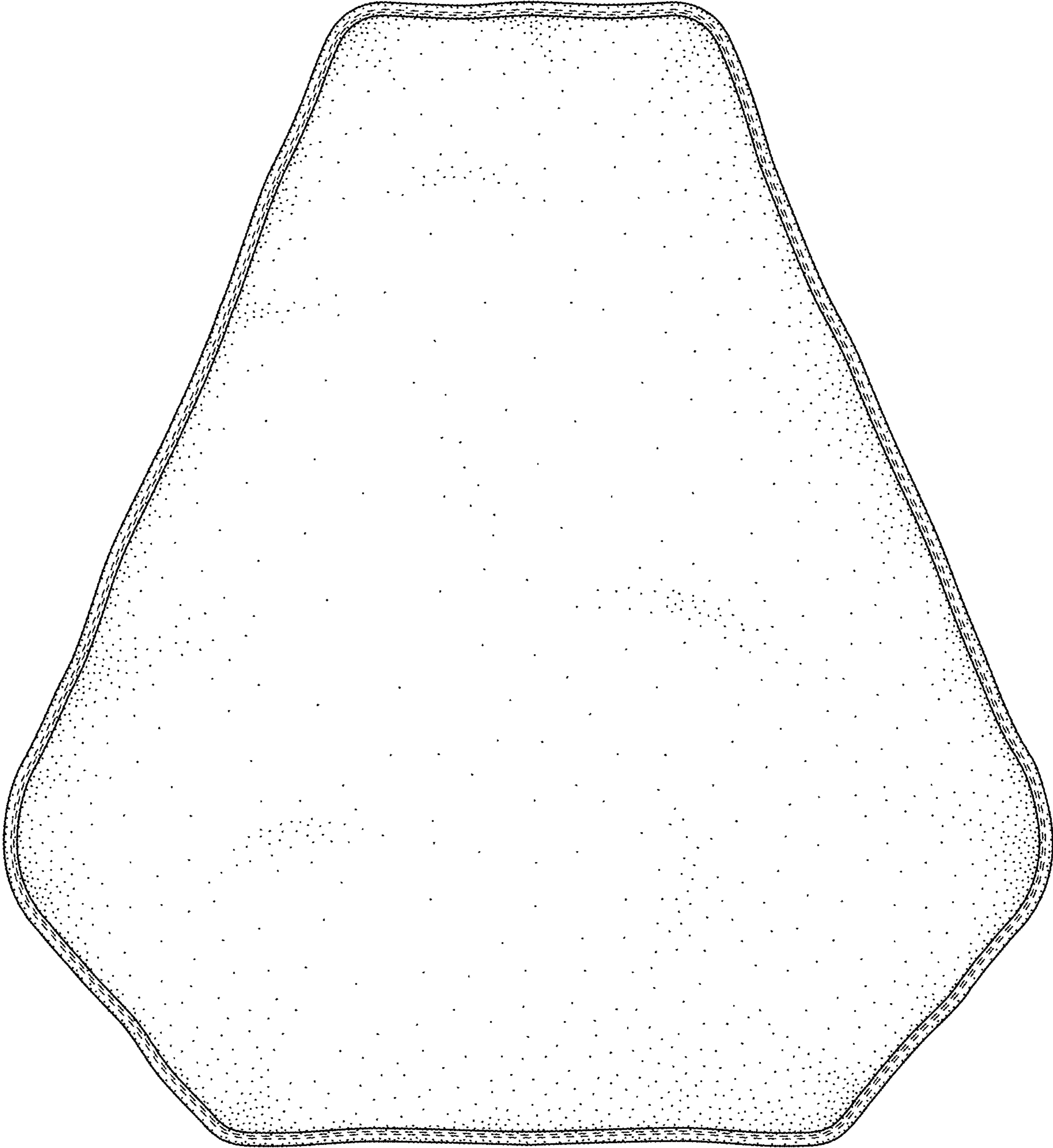


FIG. 6

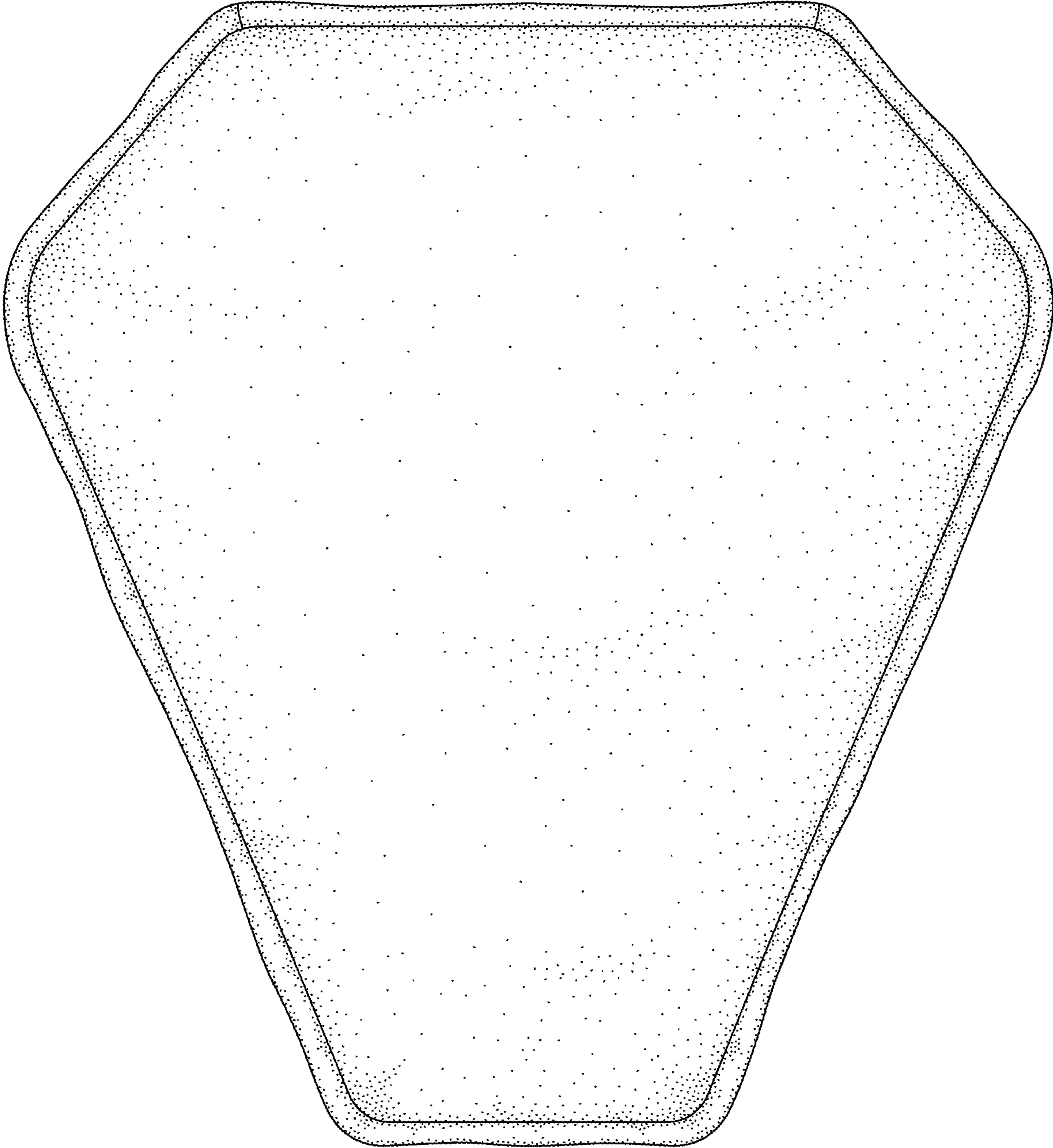


FIG. 7